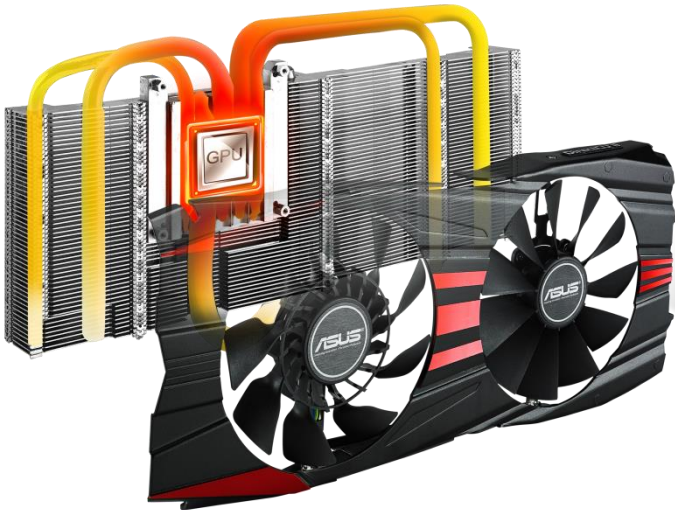


# R9280X-DC2-3GD5

*Get Ready for Unprecedented Gaming Experience with Radeon R9 280X Series!*

## ASUS Exclusive Innovations

- **20% cooler and 3X quieter performance** with exclusive **10mm heat pipe DirectCU II** thermal solution.



- **GPU Tweak** helps you modify clock speeds, voltages, fan performance and more, all via an intuitive interface. What's more, a simple **online-streaming** option function lets you share gameplay live – so people can watch as you play!.



- **DIGI+ VRM with Super Alloy Power** delivers precise digital power for superior efficiency, reliability, and performance



## ASUS Features

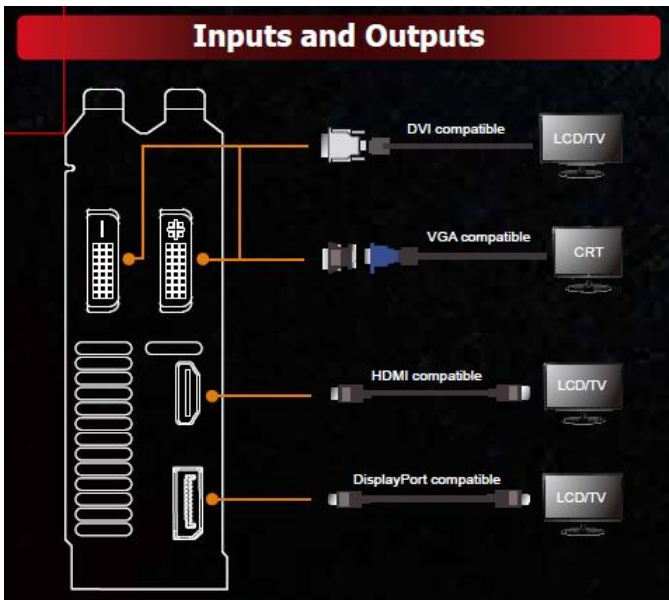
**DIGI+** VRM  
Super Alloy Power  
Stable Overclocking



- **DIGI+ VRM with SAP**  
DIGI+ VRM with Super Alloy Power delivers precise digital power for superior efficiency, reliability, and performance.

- **GPU Tweak Streaming**  
GPU Tweak helps you modify clock speeds, voltages, fan performance and more, all via an intuitive interface. What's more, a simple online-streaming option function lets you share gameplay live – so people can watch as you play!

## I/O Specifications



## Graphics GPU Features



**RADEON R9**  
280X



- **AMD Eyefinity Technology:**

Extend the view across up to 6 displays to immerse yourself in gameplay and entertainment.



- **CrossFire Support:**  
Multi-GPU technology for extreme performance.



- **AMD HD3D™ Technology:**

Optimize stereoscopic 3D gaming and movie-watching entertainment.

**PCIe 3.0**  
2X Data Bandwidth

- **PCIe 3.0:**

Delivers double the bandwidth per lane of PCIe Gen 2 for faster GPU – CPU communication.

**DX11.2**  
Lifelike Graphics

- **Microsoft® DirectX® 11.2 Support:**

Bring new levels of visual realism to gaming on the PC and get top-notch performance.

## Hardware Specification

Model	R9280X-DC2-3GD5
NDA Date	<b>10/8</b>
Graphics Engine	AMD Radeon™ R9 280X
Bus Standard	PCI Express® 3.0
OpenGL	OpenGL® 4.3
Video Memory	3072MB GDDR5
Engine Clock	1000 MHz
Stream Processor	2048
Memory Clock	6000MHz(1500MHz GDDR5)
Memory Interface	256 bit
DVI Max. Resolution	2560 * 1600
DVI Output	1x Native DVI-I 1x Native DVI-D
HDMI Output	1x Native HDMI
HDCP compliant	YES
DisplayPort	1x Native DisplayPort
Adapter/Cable Bundled	1x Crossfire Cable 1x DVI to D-Sub 1x Power Cable
Software Bundled	ASUS GPU Tweak & Driver
Dimension	The card size is 11.2"x 5.7"x 1.5" Inches
Note	<ul style="list-style-type: none"> <li>• Specifications are subject to change without notice.</li> <li>• PCB color and bundled software versions are change without notice.</li> <li>• Brand and product names mentioned are trademarks of their respective company.</li> </ul>

