

RYOBI®

RLT5027

ORIGINAL INSTRUCTIONS
TRADUCTION DES INSTRUCTIONS ORIGINALES
ÜBERSETZUNG DER ORIGINALANLEITUNG
TRADUCCIÓN DE LAS INSTRUCCIONES ORIGINALES
TRADUZIONE DELLE ISTRUZIONI ORIGINALI
VERTALING VAN DE ORIGINELE INSTRUCTIES
TRADUÇÃO DAS INSTRUÇÕES ORIGINAIS
OVERSÆTTELSE AF DE ORIGINALE INSTRUKTIONER
ÖVERSÄTTNING AV DE URSPRUNGLIGA INSTRUKTIONERNA
ALKUPERÄISTEN OHJEIDEN SUOMENNOS
OVERSETTELSE AV DE ORIGINALE INSTRUKSJONENE
ПЕРЕВОД ОРИГИНАЛЬНЫХ ИНСТРУКЦИЙ
TŁUMACZENIE INSTRUKCJI ORYGINALNEJ
PŘEKLAD ORIGINÁLNÍCH POKYNŮ
AZ EREDETI ÚTMUTATÓ FORDÍTÁSA
TRADUCEREA INSTRUCȚIUNILOR ORIGINALE
TULKOTS NO ORIĢINĀLĀS INSTRUKCIJAS
ORIGINALIŲ INSTRUKCIJŲ VERTIMAS
ORIGINAALJUHENDI TÕLGE
PRIJEVOD ORIGINALNIH UPUTA
PREVOD ORIGINALNIH NAVODIL
PREKLAD ORIGINÁLNYCH POKYNOV
ПРЕВОД ОТ ОРИГИНАЛНИТЕ ИНСТРУКЦИИ



EN
FR
DE
ES
IT
NL
PT
DA
SV
FI
NO
RU
PL
CS
HU
RO
LV
LT
ET
HR
SL
SK
BG





Important!	It is essential that you read the instructions in this manual before assembling, operating and maintaining this machine.
Attention!	Il est essentiel que vous lisiez les instructions contenues dans ce mode d'emploi avant d'assembler, d'entretenir et d'utiliser cette machine.
Achtung!	Es ist wichtig, dass Sie vor Zusammenbau, Benutzung und Wartung dieser Maschine die Anweisungen in dieser Anleitung lesen.
¡Atención!	Antes de montar, de utilizar o de realizar el mantenimiento de esta máquina es muy importante que lea las instrucciones de este manual.
Attenzione!	È essenziale leggere le istruzioni contenute nel manuale prima di montare, mettere in funzione e svolgere le operazioni di manutenzione sull'utensile.
Let op!	Het is van essentieel belang dat u de instructies in deze gebruiksaanwijzing leest voor u deze machine monteert, bedient en onderhoudt.
Atenção!	É essencial que leia as instruções neste manual antes de montar, operar e efetuar manutenção a esta máquina.
OBS!	Det er meget vigtigt, at man læser anvisningerne i denne brugsanvisning, inden maskinen samles, betjenes og vedligeholdes.
Observera!	Det är viktigt att du läser instruktionerna i manualen före monteringen, användning och underhåll av maskinen.
Huomio!	On tärkeää, että luet tämän käsikirjan ennen tämän laitteen kokoamista, huoltoa ja käyttöä.
Advarsel!	Det er vigtigt at du leser instruksjonene i denne brukermanualen før du monterer, bruker og vedlikeholder maskinen.
Внимание!	Необходимо прочитать инструкции в данном руководстве перед сборкой, эксплуатацией и обслуживанием этого устройства.
Uwaga!	KoniecznIE przeczytaj instrukcje zawarte w tym podręczniku przed montażem, obsługą oraz konserwacją tej maszyny.
Důležitě upozornění!	Neinstalujte, neprovádějte údržbu ani nepoužívejte tento nástroj dříve, než si přečtete pokyny uvedené v tomto návodu.
Figyelem!	Fontos, hogy a gép összeszerelése, használatá és karbantartása előtt elolvassa a kézikönyvben található utasításokat.
Atenție!	Este esențial să citiți instrucțiunile din acest manual, înainte de asamblarea, operarea sau întreținerea acestui aparat.
Uzmanību!	Pirms ierīces montāžas, darbināšanas un apkopes veikšanas obligāti izlasiet norādījumus šajā rokasgrāmatā.
Dėmesio!	Prieš surinkdami, eksploatuodami ir prižiūradami šį įrenginį, būtina, kad perskaitytumėte nurodymus, pateiktus šiose naudotojo vadove.
Tähtis!	Enne masina kokkupanekut, kasutama ja hooldama hakkamist tuleb käesolevas juhendis esitatud juhised kindlasti läbi lugeda.
Upozorenie!	Vrlo je važno da ste prije sklapanja, rada i održavanja ovog stroja pročitali upute u ovom priručniku.
Pomembno!	Zelo pomembno je, da pred sestavljanjem, vzdrževanjem in uporabo te naprave preberete navodila v tem priročniku.
Dôležité!	Pred montážou, používaním a údržbou tohto nástroja je dôležité, by ste si prečítali pokyny v tomto návode.
Важно!	Исключительно важно е да прочетете инструкциите в настоящето ръководство, преди да сглобите и да работите с тази машина, както и да извършвате дейности по нейната поддръжка.

Subject to technical modifications / Sous réserve de modifications techniques / Technische Änderungen vorbehalten /
Bajo reserva de modificaciones técnicas / Con riserva di eventuali modifiche tecniche / Technische wijzigingen voorbehouden /
Com reserva de modificações técnicas / Med forbehold for tekniske ændringer / Med förbehåll för tekniska ändringar /
Tekniset muutokset varataan / Med forbehold om tekniske ændringer / могут быть внесены технические изменения /
Z zastrzeżeniem modyfikacji technicznych / Změny technických údajů vyhrazeny / A műszaki módosítás jogát fenntartjuk /
Sub rezerva modificațiilor tehnice / Paturam tiesības mainīt tehniskos raksturlielumus /
Pasliiekant teisę daryti techninius pakeitimus / Tehnilised muudatused võimalikud / Подлясно tehničkim promjenama /
Tehnične spremembe dopuščene / Právo na technické zmeny je vyhradené / Подлежи на технички модификации



GENERAL SAFETY WARNINGS

⚠ WARNING
When using the product, the safety rules must be followed. For your own safety and that of bystanders, please read these instructions before operating the product. Please keep the instruction safe for later use.

⚠ WARNING
This power tool is not intended to be used by children or persons with reduced physical, mental or sensory capabilities. Children should be adequately supervised to ensure they do not play with the power tool.

⚠ WARNING
Some regions have regulations that restrict the use of the product. Check with your local authority for advice.

TRAINING

- Never allow children or people unfamiliar with these instructions to use the product. Local regulations may restrict the age of the operator
- Read the instructions carefully. Be familiar with all controls and the proper use of the machine.
- Keep bystanders, children and pets 15m away from the area of operation. Stop the product if anyone enters the area.
- Never use the product when you are tired, ill or under the influence of alcohol, drugs or medicine.
- Keep in mind that the operator or user is responsible for accidents or hazards occurring to other people or their property.

ELECTRICAL SAFETY

- Power plugs must match the outlet. Never modify the plug in any way. Do not use any adapter plugs with earthed (grounded) power tools. Unmodified plugs and matching outlets will reduce risk of electric shock
- Avoid unintentional starting. Always check that the switch is in Off position before plugging in the product to the power supply. Do not carry a plugged in product with your finger on the switch.
- Avoid body contact with earthed or grounded surfaces, such as pipes, radiators, ranges and refrigerators. There is an increased risk of electric shock if your body is earthed or grounded
- Do not expose this product to rain or wet conditions. Water entering an appliance will increase the risk of electric shock
- Electrical power should be supplied via a residual current device (RCD) with a tripping current of not more than 30 mA.
- Before every use, examine the power cord for damage. If there are signs of damage, it must be replaced by at an Authorized Service Centre. Always uncoil the power cord during use, coiled cables can overheat.

- If you need to use an extension cable ensure it is suitable for outdoor use and has a current capacity sufficient to supply your tool, check it before every use for damage, always uncoil it during use because coiled cables can overheat. Damaged extension cables should not be repaired, they should be replaced with an equivalent type.
- Do not use the product if the electric cables are damaged or worn.
- If the power cord or extension cable becomes damaged during use, disconnect from the power supply immediately. Do not touch the electric cables until the power supply has been disconnected.
- Make sure the power cord is positioned so that it cannot be damaged by the cutting means and will not be stepped on, tripped over or otherwise subjected to damage or stress.
- Never pick up or carry the product by the electric cable.
- Never pull by the power cord to disconnect from the power supply.
- Keep the power cord away from heat, oil and sharp edges.
- Make sure voltage is correct for your product. A nameplate on the product indicates the unit's voltage. Never connect the product to an AC voltage that differs from this voltage.
- Make sure the switch is in Off position before disconnecting from power supply.

PREPARATION

- Wear full eye and hearing protection while operating the product. If working in an area where there is a risk of falling objects, head protection must be worn.
- Hearing protection may restrict the operators ability to hear warning sounds, pay particular attention to potential hazards around and inside the working area.
- Wear heavy long trousers, boots, and gloves. Do not wear loose fitting clothing, short trousers, jewellery of any kind, or use with bare feet.
- Secure long hair so it is above shoulder level to prevent entanglement in moving parts.
- Before use and after any impact, check that there are no damaged parts. A defective switch or any part that is damaged or worn should be properly repaired or replaced by an authorized service facility.
- Make sure the cutting attachment is properly installed and securely fastened.
- Never operate the machine unless all guards, deflectors and handles are properly and securely attached.
- Consider the environment in which you are working. Keep the working area free from wires, sticks, stones and debris which if struck by the cutter can become thrown objects.

LINE TRIMMER SAFETY WARNINGS

- Never allow children or people unfamiliar with the instructions to use the machine.
- Use the product in daylight or good artificial light.
- Avoid using on wet grass.



- Keep proper footing and balance at all times.
- Do not walk backwards when using the product.
- Walk, never run.
- Keep bystanders, children and pets 15m away from the area of operation.
- Keep the cutting attachment below waist level.
- Never operate the product with damaged guards or without guards in place.
- Never fit a metal replacement line.
- Keep hands and feet away from the cutting means at all times and especially when switching on the motor.
- Beware, the cutting elements continue to rotate after the motor is switched off.
- Beware of objects thrown by the cutting means. Clear debris like small stones, gravel and other foreign objects from the work area before starting operation.
- Switch off and disconnect from the power supply before:
 - servicing
 - leaving the product unattended
 - cleaning your product or clearing a blockage
 - changing accessories
 - checking for any damage after hitting an object
 - checking for any damage if the product starts to vibrate abnormally
 - performing maintenance
- The small blade fitted to the lawn guard is designed to trim the new extended line to the correct length for safe and optimum performance. It is very sharp, do not touch it particularly when cleaning the tool.
- Always ensure that ventilation openings are kept clear of debris.
- Make sure the head attachment is properly installed and securely fastened.
- Make sure all guards, deflectors and handles are properly and securely attached.
- Do not modify the machine in any way, this may increase the risk of injury to yourself or others.
- Use only the manufacturer's replacement cutting line. Do not use any other cutting attachment.
- It has been reported that vibrations from hand-held tools may contribute to a condition called Raynaud's Syndrome in certain individuals. Symptoms may include tingling, numbness and blanching of the fingers, usually apparent upon exposure to cold.
- Hereditary factors, exposure to cold and dampness, diet, smoking and work practices are all thought to contribute to the development of the these symptoms. There are measures that can be taken by the operator to possibly reduce the effects of vibration:
 - Keep your body warm in cold weather. When operating the unit wear gloves to keep the hands and wrists warm. It is reported that cold weather is a major factor contributing to Raynaud's Syndrome.
 - After each period of operation, exercise to increase blood circulation.
 - Take frequent work breaks. Limit the amount of exposure per day.

- If you experience any of the symptoms of this condition, immediately discontinue use and see your doctor about these symptoms.

⚠ WARNING

Injuries may be caused, or aggravated, by prolonged use of a tool. When using any tool for prolonged periods, ensure you take regular breaks.

TRANSPORTATION AND STORAGE

- Stop the machine and allow it to cool before storing or transporting
- Clean all foreign material from the product. Store it in a cool dry and well-ventilated place that is inaccessible to children. Keep away from corrosive agents such as garden chemicals and de-icing salts. Do not store outdoors.
- For storage, always disconnect from power supply and wind cable.
- For transportation, secure the machine against movement or falling to prevent injury to persons or damage to the machine.

MAINTENANCE

⚠ WARNING

Use only original manufacturer's replacement parts, accessories and attachments. Failure to do so can cause possible injury, poor performance and may void your warranty.

⚠ WARNING

Servicing requires extreme care and knowledge and should be performed only by a qualified service technician. For service we suggest you return the product to your nearest authorized service center for repair. When servicing, use only identical replacement parts.

- Switch off and disconnect from the mains before conducting any maintenance or cleaning work.
- You may make adjustments and repairs described here. For other repairs, contact the authorized service agent.
- For replacement line use only nylon filament line of the diameter described in the specification table of this manual
- After extending new cutter line, always return the product to its normal operating position before starting.
- After each use, clean the product with a soft dry cloth. Any part that is damaged should be properly repaired or replaced by an authorized service centre.
- Check all nuts, bolts and screws at frequent intervals for proper tightness to ensure the product is in safe working condition.



INTENDED USE

The product is only intended for use outdoors.
 The product is designed for cutting grass, light weeds and other similar vegetation at or about ground level. The cutting plane should be approximately parallel to the ground surface
 The product should not be used to cut or trim hedges, bushes or other vegetation where the cutting plane is not parallel to the ground surface.

RESIDUAL RISKS

Even when the product is used as prescribed, it is still impossible to completely eliminate certain residual risk factors. The following hazards may arise in use and the operator should pay special attention to avoid the following:

- Injury caused by vibration. Hold the tool by designated handles and restrict working time and exposure.
- Exposure to noise can cause hearing injury. Wear ear protection and limit exposure

KNOW YOUR PRODUCT

See page 94.

PARTS

1. Rear handle
2. Trigger
3. Cord retainer
4. Power cord
5. Front handle holder
6. Front handle
7. Handle adjusting knob
8. Upper shaft
9. Telescopic collar
10. Rotating collar
11. Lower shaft
12. Pivoting button
13. Safety guard
14. Edging wheel
15. Plant protector
16. Cutting line
17. Spool cover
18. Cut-off blade
19. Line release button
20. Eyelet
21. Spool cover lock button
22. Spool

SYMBOLS ON THE PRODUCT



Read and understand all instructions before operating the product, follow all warnings and safety instructions.



Wear eye protection.



Wear hearing protection.



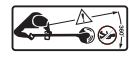
Do not use blade(s) on the product.



Do not expose to rain or damp condition.



Remove plug from the mains immediately before maintenance or if cable is damaged or cut.



Beware of thrown or flying objects. Keep all bystanders a safe distance away from the product.



Beware of thrown or flying objects. Keep all bystanders, especially children and pets, at least 15m away from the operating area



Class II tool, double insulation



Waste electrical products should not be disposed of with household waste. Please recycle where facilities exist. Check with your Local Authority or retailer for recycling advice.



CE Conformity



GOST-R Conformity



Guaranteed sound power level is 96 dB.

The following signal words and meanings are intended to explain the levels of risk associated with this product:

SYMBOL	SIGNAL	MEANING
	DANGER:	Indicates an imminently hazardous situation, which, if not avoided, will result in death or serious injury.
	WARNING:	Indicates a potentially hazardous situation, which, if not avoided, could result in death or serious injury.
	CAUTION:	Indicates a potentially hazardous situation, which, if not avoided, may result in minor or moderate injury.

(Without Safety Alert Symbol)
CAUTION: Indicates a situation that may result
in property damage.

SYMBOLS IN THIS MANUAL



Connect to power outlet.



Disconnect from power outlet.



Parts or accessories sold separately



Waste electrical products should not
be disposed of with household waste.
Please recycle where facilities exist.



Note



Warning

AVERTISSEMENTS GÉNÉRAUX DE SÉCURITÉ

⚠ AVERTISSEMENT

Suivez les règles de sécurité lorsque vous utilisez le produit. Pour votre sécurité et celle des passants, veuillez lire ces instructions avant d'utiliser le produit. Veuillez conserver ce manuel pour vous-y reporter dans le futur.

⚠ AVERTISSEMENT

Cet outil électrique ne doit pas être utilisé par des enfants ou par des personnes aux capacités physiques, sensorielles ou mentales diminuées. Les enfants doivent être bien surveillés afin de s'assurer qu'ils ne jouent pas avec l'outil électrique.

⚠ AVERTISSEMENT

La législation de certaines régions restreint l'utilisation du produit. Contactez les autorités locales pour de plus amples informations

ENTRAÎNEMENT

- Ne laissez jamais les enfants ou les personnes non familiarisées avec le mode d'emploi utiliser le produit. Les lois locales peuvent imposer un âge minimum à l'opérateur.
- Lisez attentivement les instructions. Familiarisez-vous avec toutes les commandes de l'appareil ainsi qu'avec la façon correcte de l'utiliser.
- Maintenez les visiteurs, en particulier les enfants et les animaux domestiques, à une distance d'au moins 15 m de la zone de travail. Arrêtez la machine lorsque quiconque pénètre dans la zone.
- N'utilisez pas le produit lorsque vous êtes fatigué, malade, ou sous l'influence de l'alcool, de drogues ou de médicaments.
- Gardez à l'esprit que l'opérateur est responsable des accidents qui arrivent aux autres personnes présentes dans sa propriété.

SÉCURITÉ ÉLECTRIQUE

- Les fiches secteur des outils électriques doivent correspondre à la prise de courant. Ne modifiez jamais la fiche secteur d'aucune façon. N'utilisez pas d'adaptateurs avec les outils électriques reliés à la terre. L'utilisation de fiches secteur non modifiées et adaptées à la prise de courant réduit le risque de décharge électrique.
- Évitez tout démarrage involontaire. Assurez-vous toujours que l'interrupteur est en position ARRÊT avant de brancher l'outil sur le secteur. Ne déplacez pas un produit en ayant le doigt sur la gâchette lorsque celui-ci est branché.
- Évitez que votre corps entre en contact avec des surfaces reliées à la terre, telles que des tuyaux, radiateurs, cuisinières et réfrigérateurs. Le risque

de décharge électrique est accru si votre corps est électriquement relié à la terre.

- N'exposez ce produit à la pluie ou à des conditions humides. La pénétration d'eau dans un appareil augmente le risque de décharge électrique.
- L'appareil doit être alimenté par l'intermédiaire d'un disjoncteur différentiel d'une sensibilité minimale de 30mA.
- Avant chaque utilisation, vérifiez que le câble d'alimentation n'est pas endommagé. En cas de signe de dommage faites-le remplacer par un réparateur agréé. Déroulez toujours le câble d'alimentation en cours d'utilisation, les câbles enroulés sont susceptibles de surchauffer.
- Si vous devez utiliser une rallonge électrique, assurez-vous qu'elle convient à une utilisation à l'extérieur et que sa capacité est suffisante pour alimenter votre outil, vérifiez son bon état avant chaque utilisation, et déroulez-la toujours pendant utilisation car les câbles enroulés sont susceptibles de surchauffer. Les rallonges endommagées ne doivent pas être réparées, elles doivent être remplacées par un modèle équivalent.
- N'utilisez pas le produit si le câble électrique est endommagé ou usé.
- Au cas où le câble d'alimentation ou la rallonge seraient endommagés en cours d'utilisation, débranchez immédiatement l'alimentation électrique. Ne touchez pas les câbles électriques avant d'avoir coupé l'alimentation en courant.
- Assurez-vous que le câble chemine de façon qu'il ne puisse pas être coupé et que l'on ne puisse pas marcher dessus ou se prendre les pieds dedans, et qu'il ne peut pas être forcé ou endommagé.
- Ne soulevez et ne transportez jamais le produit en le tenant par son câble d'alimentation.
- Ne débranchez jamais le câble d'alimentation en tirant dessus.
- Gardez le câble d'alimentation éloigné de la chaleur, des graisses et des bords coupants.
- Assurez-vous que la tension secteur est adaptée au produit. La tension de service est indiquée sur une plaque signalétique présente sur l'appareil. Ne branchez jamais le produit sur une source de courant dont la tension est différente de sa tension nominale.
- Assurez-vous que l'interrupteur est en position Off (arrêt) avant de débrancher l'alimentation.

PRÉPARATION

- Portez une protection auditive et oculaire totale lorsque vous utilisez ce produit. Si vous travaillez dans une zone qui comporte des risques de chute d'objets, il est nécessaire que vous portiez un casque de chantier.
- Une protection auditive est susceptible de réduire la capacité de l'opérateur à entendre les bruits d'alerte, soyez donc particulièrement attentif aux risques potentiels à l'intérieur et aux alentours de la zone de travail.
- Portez des pantalons longs et épais, des bottes et des gants. Ne portez pas de vêtements amples, de shorts ou de bijoux quels qu'ils soient, et ne travaillez pas

pieds nus.

- Attachez les cheveux longs au-dessus du niveau des épaules afin d'éviter qu'ils ne se prennent dans les parties en mouvement.
- Avant utilisation et après tout impact, vérifiez qu'aucun élément n'est endommagé. Un interrupteur défectueux ou toute autre pièce endommagée doit être correctement remplacée ou réparée par un service après-vente agréé.
- Assurez-vous que l'accessoire de coupe est bien en place et bien serré.
- N'utilisez jamais la machine sans que toutes les protections, tous les déflecteurs et toutes les poignées soient bien en place et bien verrouillés.
- Tenez compte de votre environnement de travail. Gardez la zone de travail exempte de fils, bâtons, pierres et débris qui pourraient se voir transformer en projectiles s'ils venaient à être happés par l'élément de coupe.

AVERTISSEMENTS DE SÉCURITÉ COUPE-BORDURES

- Ne laissez jamais les enfants ou les personnes non familiarisées avec le mode d'emploi utiliser cet appareil.
- Veillez à ce que votre zone de travail soit bien éclairée (lumière du jour ou lumière artificielle).
- Évitez d'utiliser la machine sur de l'herbe mouillée.
- Prenez bien appui sur vos jambes et ne tendez pas le bras trop loin.
- Ne reculez pas lors de l'utilisation du produit.
- Marchez, ne courez jamais.
- Maintenez les visiteurs, en particulier les enfants et les animaux domestiques, à une distance d'au moins 15 m de la zone de travail.
- Maintenez l'accessoire de coupe en dessous du niveau de votre taille.
- N'utilisez jamais le produit si ses protections sont absentes ou endommagées.
- N'utilisez jamais de fil de coupe en métal avec votre coupe-bordures.
- Maintenez toujours vos mains et vos pieds éloignés de la tête de fil, en particulier lors de la mise en marche du coupe-bordures.
- Prenez garde, les éléments de coupe continuent de tourner une fois le moteur coupé.
- Prenez garde aux objets projetés par l'élément de coupe. Dégagez la zone de travail des débris tels que petites pierres, gravier et autres objets étrangers avant de commencer le travail.
- Arrêtez et débranchez l'appareil du secteur avant de:
 - réparations
 - laisser le produit sans surveillance
 - nettoyage de votre produit ou dégagement de la cause d'un blocage.
 - changer un accessoire
 - vérifier tout dommage éventuel après avoir heurté un objet
 - vérifier tout dommage éventuel au cas où le produit

se mettrait à vibrer de façon anormale

- opérations d'entretien
- La petite lame incorporée au carter de protection a pour but de tailler le fil de coupe nouvellement libéré à la bonne longueur pour de meilleures performances et une bonne sécurité d'utilisation. Elle est très coupante, veillez à ne pas la toucher, en particulier lorsque vous nettoyez l'outil.
- Assurez-vous que les ouïes de ventilation sont en permanence exemptes de débris.
- Assurez-vous que l'accessoire de coupe est bien en place et bien serré.
- Assurez-vous que toutes les protections, tous les déflecteurs et toutes les poignées sont bien en place et bien verrouillés.
- Ne modifiez la machine en aucune façon, vous augmenteriez les risques de blessures occasionnées aux autres et à vous-même.
- N'utilisez que du fil de coupe fourni par le fabricant. N'utilisez aucun autre accessoire de coupe.
- Il a été reporté que les vibrations engendrées par les outils à main peuvent contribuer à l'apparition d'un état appelé le Syndrome de Raynaud chez certaines personnes. Les symptômes peuvent comprendre des fourmillements, un engourdissement et un blanchiment des doigts, généralement par temps froid.
- Des facteurs héréditaires, l'exposition au froid et à l'humidité, le régime alimentaire, le tabagisme et les habitudes de travail peuvent contribuer au développement de ces symptômes. Certaines mesures peuvent être prises par l'utilisateur pour aider à réduire les effets des vibrations:
 - Gardez votre corps au chaud par temps froid. Lorsque vous utilisez l'appareil, portez des gants afin de garder vos mains et vos poignets au chaud. Le temps froid est considéré comme un facteur contribuant très largement à l'apparition du Syndrome de Raynaud.
 - Après chaque session de travail, pratiquez des exercices qui favorisent la circulation sanguine.
 - Faites des pauses fréquentes. Limitez la quantité d'exposition journalière.
- Si vous ressentez l'un des symptômes associés à ce syndrome, arrêtez immédiatement le travail et consultez votre médecin pour lui en faire part.

⚠ AVERTISSEMENT

L'utilisation prolongée d'un outil est susceptible de provoquer ou d'aggraver des blessures. Assurez-vous de faire des pauses de façon régulière lorsque vous utilisez tout outil de façon prolongée.

TRANSPORT ET STOCKAGE

- Arrêtez la machine et laissez-la refroidir avant de la ranger ou de la transporter.
- Débarrassez l'appareil de tous les corps étrangers. Rangez la en un endroit frais, sec et correctement ventilé, hors de portée des enfants. Ne la rangez

pas à proximité d'agents corrosifs tels que produits chimiques de jardinage ou sels de dégel. Ne rangez pas à l'extérieur.

- Avant stockage, toujours débrancher l'alimentation et enrouler la rallonge.
- Pour le transport, attachez la machine pour l'empêcher de bouger ou de tomber, afin d'éviter toute blessure et tout dommage matériel.

ENTRETIEN

AVERTISSEMENT

N'utilisez que des pièces détachées et accessoires d'origine constructeur. Le non respect de cette précaution peut entraîner de mauvaises performances, des blessures, et annuler votre garantie.

AVERTISSEMENT

Les réparations demandent un soin et des connaissances extrêmes et ne doivent être effectuées que par un réparateur qualifié. Pour toute réparation, nous vous conseillons de retourner votre appareil à votre service après vente agréé le plus proche. N'utilisez que des pièces détachées identiques pour effectuer les réparations.

- Avant toute opération d'entretien, coupez l'alimentation électrique en débranchant la fiche secteur. Assurez-vous que l'interrupteur est en position Off (arrêt) avant de débrancher l'alimentation.
- Vous pouvez effectuer les réglages et réparations décrits dans ce manuel. Pour les autres réparations, contactez un service après-vente agréé.
- Pour remplacer le fil de coupe, n'utilisez que du fil nylon du diamètre indiqué dans la table des caractéristiques de ce manuel.
- Après avoir déroulé une nouvelle longueur de fil de coupe, remettez toujours le produit en position normale de travail avant de le mettre en marche.
- Après chaque utilisation, utilisez un chiffon propre et sec pour nettoyer le produit. Toute pièce endommagée doit être correctement remplacée ou réparée par un service après-vente agréé.
- Vérifiez régulièrement le bon serrage des écrous, vis et boulons pour que le produit soit toujours en bon état de fonctionnement.

UTILISATION PRÉVUE

Cet appareil ne doit être utilisé qu'à l'extérieur.

Ce produit est prévu pour la coupe de l'herbe, des mauvaises herbes peu denses et autres végétaux similaires au niveau du sol ou près du sol. Le plan de coupe doit être à peu près parallèle à la surface du sol.

Cet appareil ne doit pas être utilisé pour la coupe ou la taille des haies, buissons ou autres végétaux pour lesquels le plan de coupe n'est pas parallèle à la surface du sol.

RISQUES RÉSIDUELS

Même lorsque la machine est utilisée selon les prescriptions, il reste impossible d'éliminer totalement certains facteurs de risque résiduels. Les dangers suivants risquent de se présenter en cours d'utilisation et l'utilisateur doit prêter particulièrement garde à ce qui suit :

- Blessures dues aux vibrations. Maintenez l'outil par les poignées destinées à cet effet et limitez le temps de travail et d'exposition.
- L'exposition au bruit peut provoquer des pertes d'audition. Portez une protection auditive et limitez le temps d'exposition

APPRENEZ À CONNAÎTRE VOTRE TRONÇONNEUSE.

Voir page 94

PIÈCES

1. Poignée arrière
2. Gâchette
3. Accroche-câble
4. Câble d'alimentation
5. Fixation de poignée avant
6. Poignée avant
7. Bouton de réglage de la poignée
8. Arbre supérieur
9. Collier télescopique
10. Collier rotatif
11. Arbre inférieur
12. Bouton de pivotement
13. Carter de protection
14. Roue de guidage pour bordures
15. Protecteur de plantes
16. Fil de coupe
17. Couvercle de bobine
18. Lame de taille
19. Bouton de déroulage du fil de coupe
20. Cèillet
21. Bouton de verrouillage du couvercle de bobine
22. Bobine

SYMBOLES APPLIQUÉS SUR LE PRODUIT



Lisez et comprenez toutes les instructions avant d'utiliser le produit, respectez tous les avertissements et toutes les instructions de sécurité.



Portez une protection oculaire



Portez une protection auditive.



N'utilisez pas de lame(s) sur le produit.



Ne pas exposer à la pluie ou à des conditions humides.



Débranchez immédiatement la fiche secteur avant l'entretien ou si le câble est endommagé ou coupé.



Prenez garde à la projection d'objets au sol et dans les airs. Maintenez les visiteurs à bonne distance du produit.



Prenez garde à la projection d'objets au sol et dans les airs. Maintenez les visiteurs, en particulier les enfants et les animaux domestiques, à une distance d'au moins 15 m de la zone de travail.



Outil de Classe II, isolation double



Les produits électriques hors d'usage ne doivent pas être jetés avec les ordures ménagères. Recyclez-les par l'intermédiaire des structures disponibles. Contactez les autorités locales pour vous renseigner sur les conditions de recyclage.



Conformité CE



Conformité GOST-R



Le niveau de puissance sonore garanti est 96 dB.

MISE EN GARDE

Sans symbole d'alerte de sécurité
Indique une situation pouvant entraîner des dommages matériels.

ICÔNES DE CE MANUEL



Branchez sur le secteur



Débranchez du secteur



Pièces détachées et accessoires vendus séparément



Les produits électriques hors d'usage ne doivent pas être jetés avec les ordures ménagères. Recyclez-les par l'intermédiaire des structures disponibles.



REMARQUE:



AVERTISSEMENT

Les symboles suivants, et les noms qui leur sont associés, permettent d'expliquer les différents niveaux de risques liés à l'utilisation de cet outil.

Symbole	Signal	Signification
	DANGER	Situation potentiellement dangereuse qui, si l'on n'y prend garde, peut entraîner la mort ou des blessures graves.
	AVERTISSEMENT	Situation potentiellement dangereuse qui, si l'on n'y prend garde, peut entraîner la mort ou des blessures graves.
	MISE EN GARDE	Situation potentiellement dangereuse qui, si l'on n'y prend garde, peut entraîner des blessures moyennes ou légères.

ALLGEMEINE SICHERHEITSWARNUNGEN

⚠️ WARNUNG
Die Sicherheitsregeln müssen befolgt werden, wenn dieses Produkt benutzt wird. Lesen Sie für Ihre eigene Sicherheit und die von Außenstehenden diese Anweisungen bevor Sie das Produkt benutzen. Bitte bewahren Sie die Anweisungen zum späteren Nachschlagen auf.

⚠️ WARNUNG
Dieses Elektrowerkzeug ist nicht für Kinder oder Personen mit verminderten physischen, geistigen oder sensorischen Fähigkeiten geeignet. Kinder müssen ausreichend beaufsichtigt werden, so dass gewährleistet ist, dass sie nicht mit dem Elektrowerkzeug spielen.

⚠️ WARNUNG
In einigen Regionen können Vorschriften die Benutzung dieses Produkts einschränken. Lassen Sie sich von Ihrer örtlichen Behörde beraten

UNTERWEISUNG

- Erlauben Sie niemals Kindern oder Personen, die mit diesen Anweisungen nicht vertraut sind, das Produkt zu benutzen. Die lokale Gesetzgebung regelt das Mindestalter des Benutzers.
- Lesen Sie die Anweisungen sorgfältig durch. Machen Sie sich mit den Bedienelementen und dem ordnungsgemäßen Gebrauch der Maschine vertraut.
- Alle Umstehende müssen einen Abstand von mindestens 15 m einhalten. Stoppen Sie die Maschine, wenn jemand diesen Bereich betritt.
- Arbeiten Sie niemals mit dem Produkt, wenn Sie müde oder krank sind, oder unter dem Einfluss von Alkohol, Drogen oder Medikamenten stehen.
- Vergessen Sie nie, dass der Benutzer verantwortlich ist für Unfälle und Gefahren die an Eigentum Fremder oder an anderen Personen entstehen könnte.

ELEKTRISCHE SICHERHEIT

- Der Stecker des Elektrowerkzeugs muss in die Steckdose passen. Den Stecker niemals auf irgendeine Weise modifizieren. Verwenden Sie mit geerdeten Elektrowerkzeugen niemals Übergangsstecker. Nicht-modifizierte Stecker und passende Steckdosen reduzieren das Risiko von Stromschlägen.
- Verhindern Sie unbeabsichtigtes Starten des Gerätes. Überprüfen Sie immer, dass der Schalter sich in der AUS Position befindet bevor Sie das Werkzeug an das Stromnetz anschließen. Tragen Sie kein Produkt, welches angeschlossen ist mit sich herum.
- Vermeiden Sie Körperkontakt mit geerdeten Oberflächen, wie Rohren, Heizkörpern, Küchenherden und Kühlschränken. Es besteht ein erhöhtes Stromschlagrisiko wenn Ihr Körper geerdet ist.

- Setzen Sie dieses Produkt nicht Regen oder feuchten Bedingungen aus. Ein Eindringen von Wasser in ein Gerät erhöht die Gefahr eines Stromschlags.
- Die Stromversorgung sollte über eine Fehlerstromschutzeinrichtung mit einem Auslösestrom von nicht mehr als 30 mA angeschlossen werden.
- Überprüfen Sie das Netzkabel vor jeder Benutzung auf Schäden. Es muss von einem autorisierten Kundendienst ausgetauscht werden, wenn Beschädigungen sichtbar sind. Entrollen Sie bei der Benutzung immer das Netzkabel, aufgerollte Kabel können überhitzen.
- Wenn Sie eine Verlängerungskabel benutzen müssen, stellen Sie sicher, dass es für den Einsatz im Freien geeignet ist und über eine für Ihr Werkzeug ausreichende Strombelastbarkeit verfügt, überprüfen Sie es auf Schäden vor jedem Einsatz und entrollen Sie es für die Benutzung, weil aufgerollte Kabel überhitzen können. Beschädigte Verlängerungskabel dürfen nicht repariert werden, sie müssen durch einem gleichwertigen Typ ersetzt werden.
- Verwenden Sie das Produkt nicht falls die Stromkabel beschädigt oder abgenutzt ist.
- Trennen Sie sofort die Stromversorgung, wenn das Netzkabel oder Verlängerungskabel beim Einsatz beschädigt wird. Berühren Sie nicht die Stromkabel bis die Stromversorgung getrennt ist.
- Stellen Sie sicher, dass das Stromkabel so liegt das es nicht von dem Schneidwerkzeug beschädigt wird, man nicht darauf tritt, darüber stolpert, oder es auf andere Weise Beschädigungen und Belastungen ausgesetzt wird.
- Heben oder tragen Sie das Produkt niemals mit dem Netzkabel.
- Ziehen Sie niemals das Netzkabel um die Stromversorgung zu trennen.
- Halten Sie das Netzkabel fern von Hitze, Öl, und scharfen Kanten.
- Stellen Sie sicher, dass die Spannung für Ihr Produkt richtig ist. Ein Typenschild auf dem Produkt zeigt die Spannung des Gerätes an. Schließen Sie das Produkt niemals an eine andere Wechselspannung als die angegebene an.
- Stellen Sie sicher, dass sich der Schalter auf der AUS Position befindet, bevor Sie die Stromversorgung trennen.

VORBEREITUNG

- Tragen Sie bei Einsatz dieses Geräts vollen Augen- und Gehörschutz. Bei Arbeiten in Bereichen wo die Gefahr herabfallender Objekte besteht, muss Kopfschutz getragen werden.
- Gehörschutz kann die Fähigkeit des Benutzers Warntöne zu hören einschränken, achten Sie besonders auf mögliche Gefahren in der Nähe und in dem Arbeitsbereich.
- Tragen Sie lange, schwere Hosen, Stiefel und Handschuhe. Tragen Sie keine locker sitzende Kleidung, kurze Hosen und keinen Schmuck oder gehen Barfuß.

- Binden Sie lange Haare zurück, so dass diese sich über Schulterhöhe befinden um zu verhindern, dass sie sich in beweglichen Teilen verfangen.
- Überprüfen Sie vor jeder Benutzung und nach jedem Schlag, dass keine Teile beschädigt sind. Ein defekter Schalter oder ein anderes Teil, das beschädigt oder abgenutzt ist, muss durch den autorisierten Kundendienst ordnungsgemäß repariert oder ausgetauscht werden.
- Stellen Sie sicher, dass der Schneidaufsatz ordnungsgemäß montiert und befestigt ist.
- Bedienen Sie die Maschine niemals ohne dass alle Schutzvorrichtungen, Abweiser und Griffe ordnungsgemäß und sicher befestigt sind.
- Setzen Sie das Gerät in keinem Fall Regen aus oder benutzen es in feuchter Umgebung. Halten Sie den Arbeitsbereich frei von Drähten, Stöcken, Steinen und Unrat, die emporgeschleudert werden können, wenn sie von dem Schneider getroffen werden.

RASENTRIMMER SICHERHEITSWARNUNGEN

- Erlauben Sie niemals Kindern oder Personen, die mit diesen Anweisungen nicht vertraut sind, das Gerät zu benutzen.
- Benutzen Sie das Produkt nicht bei schlechtem Licht, sondern nur bei Tageslicht oder guter künstlichen Beleuchtung.
- Vermeiden Sie den Einsatz in nassem Gras.
- Sorgen Sie jederzeit für einen festen Stand und ein gutes Gleichgewicht.
- Gehen Sie nicht rückwärts, wenn Sie das Produkt benutzen.
- Gehen Sie immer ruhig, laufen Sie nie hastig.
- Alle Umstehende müssen einen Abstand von mindestens 15 m einhalten.
- Halten Sie den Schneidaufsatz unterhalb der Hüfthöhe.
- Bedienen Sie das Produkt niemals mit beschädigten oder ohne angebauten Schutzvorrichtungen.
- Verwenden Sie niemals Schneidfäden aus Metall.
- Halten Sie Ihre Hände und Füße weit von der Schneidearbeitsfläche entfernt, vor allem wenn der Motor läuft.
- Vorsicht, die Schneidelemente drehen sich noch weiter, nachdem der Motor ausgeschaltet ist.
- Achten Sie auf Objekte die durch das Schneidwerkzeug geschleudert werden können. Entfernen Sie allen Unrat, wie kleine Steine, Kies und andere Fremdkörper von dem Arbeitsbereich, bevor Sie die Arbeit beginnen.
- Ausschalten und vom Stromnetz trennen vor:
 - Pflegearbeiten
 - unbeaufsichtigtem Stehenlassen des Produktes
 - Reinigung Ihres Produktes oder Entfernen einer Blockierung.
 - dem Wechsel von Zubehörteilen
 - Überprüfung auf Schäden nachdem ein Gegenstand getroffen wurde
 - Überprüfung auf Schäden, wenn das Produkt ungewöhnlich vibriert

- Durchführung von Wartungsarbeiten
- Das kleine Messer an der Schutzabdeckung ist zum Kürzen des Schneidfadens auf die richtige Länge für sichere und optimale Leistung. Es ist sehr scharf, berühren Sie es nicht, besonders beim reinigen des Werkzeugs.
- Stellen immer sicher, dass die Belüftungsöffnungen frei von Ablagerungen sind.
- Stellen Sie sicher, dass der Antriebskopfaufsatz ordnungsgemäß montiert und befestigt ist.
- Stellen Sie sicher, dass alle Schutzvorrichtungen, Abweiser und Griffe ordnungsgemäß und sicher befestigt sind.
- Verändern Sie die Maschine nicht auf irgendeine Weise, das kann die Verletzungsgefahr für Sie und andere erhöhen.
- Verwenden Sie nur den Ersatz-Schneidfaden des Herstellers. Benutzen Sie keinen anderen Schneidaufsatz.
- Vibrationen von in der Hand gehaltenen Werkzeugen können bei einigen Personen zu einem Zustand, der Raynaud-Syndrom genannt wird, führen. Symptome sind u.a. Kribbeln, Taubheitsgefühl und episodische Weißfärbung der Finger und treten normalerweise bei Kälte auf.
- Man geht davon aus, dass ererbte Faktoren, Kälte und Feuchtigkeit, Essgewohnheiten, Rauchen und Arbeitsweise zur Entwicklung dieser Symptome beitragen. Der Anwender kann Maßnahmen ergreifen, um die Auswirkungen der Vibrationen möglicherweise zu verringern:
 - Halten Sie den Körper bei Kälte warm. Tragen Sie beim Betrieb des Geräts Handschuhe, um Hände und Handgelenke warm zu halten. Berichten zu Folge ist kaltes Wetter ein wesentlicher Faktor, der zum Raynaud Syndrom beiträgt.
 - Betätigen Sie sich nach jedem Einsatz körperlich, um den Blutkreislauf zu steigern.
 - Machen Sie regelmäßig Pausen. Beschränken Sie die Beanspruchung pro Tag.
- Sollten bei Ihnen Symptome dieses Zustands auftreten, stellen Sie unverzüglich den Betrieb ein und suchen Sie in Hinsicht auf die Symptome einen Arzt auf.

⚠️ WARNUNG

Verletzungen können durch lange Benutzung eines Werkzeugs entstehen oder verschlimmert werden. Machen Sie regelmäßig Pause, wenn Sie ein Werkzeug für lange Zeit benutzen.

TRANSPORT UND LAGERUNG

- Stoppen Sie die Maschine und lassen sie abkühlen, bevor Sie sie lagern oder transportieren.
- Entfernen Sie alle Fremdkörper vom Produkt. Lagern Sie das Gerät an einem trockenen und gut belüfteten Ort, der Kindern keinen Zugang bietet. Das Produkt von korrodierend wirkenden Stoffen, wie Gartenchemikalien und Enteisungssalzen, fernhalten. Nicht im Freien

lagern.

- Zur Lagerung immer vom Stromnetz trennen und das Netzkabel aufrollen.
- Sichern Sie die Maschine beim Transport gegen Bewegung oder fallen, um Verletzungen und Beschädigung der Maschine zu verhindern.

WARTUNG UND PFLEGE

⚠️ WARNUNG

Verwenden Sie ausschließlich original Ersatzteile, Zubehör und Aufsätze des Herstellers. Nichtbefolgung kann mögliche Verletzungen oder schlechte Leistung verursachen und Ihre Garantie ungültig machen.

⚠️ WARNUNG

Service und Wartung des Gerätes erfordert besonderen Schutz und Kenntnisstand und sollte nur durch qualifiziertes Personal durchgeführt werden. Wir empfehlen zu diesem Zweck das Produkt umgehend an ein Autorisiertes Service Center zur Reparatur zu senden. Beim Service dürfen Sie nur originale Ersatzteile benutzen.

- Trennen Sie vor jeglichen Wartungsarbeiten die Stromzufuhr, indem Sie den Netzstecker ziehen. Stellen Sie sicher, dass sich der Schalter auf der Aus Position befindet, bevor Sie die Stromversorgung trennen.
- Sie dürfen die in dieser Bedienungsanleitung beschriebenen Einstellungen und Reparaturen durchführen. Kontaktieren Sie Ihren autorisierten Kundendienst für andere Reparaturen.
- Verwenden Sie als Ersatzfaden nur Nylonfaden mit einem Durchmesser wie in der Tabelle dieser Bedienungsanleitung beschrieben.
- Bringen Sie das Produkt nach dem Herausschieben eines neuen Fadens immer erst wieder in die normale Betriebsposition, bevor Sie es einschalten.
- Reinigen Sie das Produkt nach jeder Benutzung mit einem weichen, trockenen Lappen. Jedes beschädigte Teil sollte durch den autorisierten Kundendienst ordnungsgemäß repariert oder ausgetauscht werden.
- Überprüfen Sie Bolzen, Muttern und Schrauben immer wieder ob alles fest angezogen ist, so dass das Produkt in einem sicheren Zustand ist.

VORGESEHENE VERWENDUNG

Dieses Produkt ist nur für die Benutzung im Freien geeignet.

Das Produkt ist zum Schneiden von Gras, leichtem Unkraut, und anderer ähnlicher Vegetation auf bzw. über Bodenhöhe vorgesehen. Die Schnittebene muss ungefähr parallel zu Oberfläche des Untergrunds liegen.

Das Produkt darf nicht zum Schneiden oder Trimmen von Hecken, Büschen oder anderer Vegetation verwendet werden, wobei die Schnittebene sich nicht parallel zur

Oberfläche des Untergrunds befindet.

RESTRISIKEN:

Sogar wenn die Maschine wie vorgeschrieben benutzt wird, ist es unmöglich ein gewisses Restrisiko vollständig zu beseitigen. Die folgenden Gefahren können bei der Benutzung entstehen, und der Benutzer sollte besonders auf folgende Punkte achten:

- Durch Vibrationen verursachte Verletzungen. Halten Sie das Werkzeug an den dafür vorgesehenen Griffen und schränken Sie die Arbeitszeit und Belastung ein.
- Lärm kann zu Gehörschäden führen. Tragen Sie einen Gehörschutz und schränken Sie die Belastung ein.

LERNEN SIE DAS WERKZEUG KENNEN.

Siehe Seite 94.

TEILE

1. Hinterer Haltegriff
2. Auslöser
3. Kabelhalter
4. Stromkabel
5. Halterung für den Vordergriff
6. Vorderer Haltegriff
7. Griffschraube
8. Oberer Schaft
9. Teleskopmanschette
10. Drehmanschette
11. Unterer Schaft
12. Schwenkknopf
13. Schutzvorrichtung
14. Rad für Kantenschneider
15. Pflanzenschutz
16. Schneidfaden
17. Spulenabdeckung
18. Schneidklinge
19. Knopf zum Lösen des Fadens
20. Öse
21. Verriegelungsknopf der Spulenabdeckung
22. Spule

SYMBOLS AUF DEM PRODUKT



Lesen und verstehen Sie alle Anweisungen, bevor Sie das Produkt benutzen, befolgen Sie alle Warnungen und Sicherheitsanweisungen.



Tragen Sie einen Augenschutz



Tragen Sie einen Gehörschutz.



Benutzen Sie kein(e) Messer an diesem Produkt



Nicht Regen oder feuchten Bedingungen aussetzen.



Trennen Sie vor Wartungsarbeiten den Stecker sofort vom Stromnetz, oder falls das Kabel beschädigt oder geschnitten ist.



Achten Sie auf geschleuderte oder fliegende Objekte.
Halten Sie andere Personen auf sicherer Entfernung von dem Produkt.



Achten Sie auf geschleuderte oder fliegende Objekte. Alle Umstehende müssen einen Abstand von mindestens 15 m einhalten.



Klasse II Werkzeug, doppelte Isolation



Elektrische Geräte sollten nicht mit dem übrigen Müll entsorgt werden. Bitte entsorgen Sie diese an den entsprechenden Entsorgungsstellen. Wenden Sie sich an die örtliche Behörde oder Ihren Händler, um Auskunft über die Entsorgung zu erhalten.



CE-Konformität



GOST-R-Konformität



Der garantierte Schalleistungspegel beträgt 96 dB.

SYMBOL IN DIESER BEDIENUNGSANLEITUNG



Anschließen an das Stromnetz



Trennen vom Stromnetz



Teile oder Zubehör getrennt erhältlich



Elektrische Geräte sollten nicht mit dem übrigen Müll entsorgt werden. Bitte entsorgen Sie diese an den entsprechenden Entsorgungsstellen.



HINWEIS:



WARNUNG

Mit den folgenden Symbolen wird die Bedeutung der verschiedenen Risikostufen, die mit dem Produkt einhergehen, dargestellt.

Symbol	Bedeutung	Erklärung
	GEFAHR	Weist auf eine unmittelbare gefährliche Situation hin, die bei Missachtung zu Tod oder ernsthafter Verletzung führen kann.
	WARNUNG	lWeist auf eine mögliche gefährliche Situation hin, die bei Missachtung zu Tod oder ernsthafter Verletzung führen kann.
	VORSICHT	lWeist auf eine mögliche gefährliche Situation hin, die bei Missachtung zu einer leichten oder mittleren Verletzung führen kann.
	VORSICHT	Ohne Sicherheitswarnsymbol Bezeichnet eine Situation die zu Sachbeschädigungen führen kann.

ALERTA DE SEGURIDAD GENERAL

⚠ ADVERTENCIA
Al utilizar el producto, deben seguirse las normas de seguridad. Por su propia seguridad y la de los que le rodean, lea estas instrucciones antes de utilizar el producto. Guarde las instrucciones para usarlas en el futuro.

⚠ ADVERTENCIA
Esta herramienta eléctrica no debe ser utilizada por niños o personas con facultades físicas, mentales o sensoriales disminuidas. Los niños deben estar adecuadamente supervisados para asegurarse de que no juegan con la herramienta eléctrica.

⚠ ADVERTENCIA
Algunas regiones tienen normas que limitan el uso del producto. Consulte con sus autoridades locales

APRENDIZAJE

- Nunca permita que niños o personas no familiarizadas con las instrucciones utilicen este producto. Las regulaciones locales pueden restringir la edad del operario.
- Lea las instrucciones cuidadosamente. Familiarícese con los controles y el uso adecuado de la máquina.
- Mantenga a las demás personas, y en especial a los niños y a los animales, a una distancia mínima de 15 m de la zona de corte. Detenga la máquina si alguien entra en el área.
- No utilice el producto cuando esté cansado, enfermo o bajo la influencia del alcohol, las drogas o medicamentos.
- Tenga presente que el operario o usuario es responsable de los accidentes o riesgos que le puedan ocurrir a otras personas o a su propiedad.

SEGURIDAD ELÉCTRICA

- Las conexiones de la herramienta eléctrica deben corresponder a los de la toma de corriente. No modifique el enchufe de ninguna manera. No utilice ningún adaptador con herramientas eléctricas conectadas a tierra. Utilizar enchufes sin modificar y tomas correspondientes reducirán el riesgo de descargas eléctricas.
- Evite el arranque no intencionado. Compruebe siempre que el interruptor está en la posición OFF antes de conectar la herramienta a la fuente de alimentación. No lleve un producto enchufado con su dedo en el interruptor.
- Evite el contacto corporal con superficies conectadas a tierra, como tuberías, radiadores, estufas y refrigeradores. Existe un mayor riesgo de descargas eléctricas si su cuerpo está conectado a tierra.
- No exponga este producto a la lluvia o humedad. Si

entra agua en el aparato, esto aumentará el riesgo de descargas eléctricas.

- El suministro eléctrico deberá efectuarse mediante un dispositivo de corriente residual (RDC) con una corriente activa no superior a 30 mA.
- Antes de cada uso, examine el cable para ver si está dañado. Si hay signos de daños, debe ser reemplazado por un centro de servicio autorizado. Desenrolle siempre el cable durante el uso, los cables enrollados pueden sobrecalentarse.
- Si necesita utilizar un alargador, asegúrese de que es adecuado para el exterior y que tiene una capacidad de corriente suficiente para el suministro de su herramienta, revíselo antes de cada uso para ver si está dañado, y desenrollelo siempre durante el uso ya que los cables enrollados pueden sobrecalentarse. Los alargadores no deben repararse, deben sustituirse por otros que sean equivalentes.
- No utilizar el producto si los cables eléctricos están dañados o desgastados.
- Si el cable de alimentación o el cable extensor resultan dañados durante el uso, desconectar del suministro eléctrico inmediatamente. No tocar los cables eléctricos hasta que se haya desconectado el suministro eléctrico.
- Asegúrese de que el cable de alimentación está situado de tal manera que no puede dañarse por cortes y no se pisará, estorbará ni estará sometido a daños o molestias.
- No coja ni lleve el producto por el cable eléctrico.
- No tire del cable de alimentación para desconectarlo del suministro eléctrico.
- Mantenga el cable eléctrico lejos de fuentes de calor, aceite y bordes afilados.
- Asegúrese de que el voltaje es adecuado para su producto. Una placa de identificación en el producto indica el voltaje de la unidad. No conecte el producto a un voltaje de CA que no se corresponda con su voltaje.
- Asegúrese de que el interruptor está en posición Apagado antes de desconectarlo del suministro eléctrico.

PREPARACIÓN

- Use gafas de protección total para los ojos y oídos al utilizar este producto. Si trabaja en un área donde existe un riesgo de caída de objetos, deberá utilizar casco.
- Los protectores para los oídos pueden limitar la capacidad de los operadores para oír sonidos de advertencia. Preste especial atención a los peligros potenciales alrededor y dentro de la zona de trabajo.
- Use guantes, botas y pantalones resistentes. No use ropa holgada, pantalones cortos, joyas de cualquier tipo, o vaya descalzo.
- Recoja el cabello largo para que quede por encima del nivel de los hombros y evitar así que se enmarañe en cualquier pieza móvil.
- Antes de su uso y después de algún golpe, compruebe que no hay piezas dañadas. Los interruptores defectuosos o cualquier otra pieza dañada o gastada deben ser sustituidos o reparados adecuadamente por

un establecimiento de servicio autorizado.

- Asegúrese de que el accesorio de corte está correctamente instalado y ajustado.
- Nunca use la máquina excepto si todas las protecciones, deflectores y mangos están unidos de forma correcta y segura.
- Considere el ambiente en donde está trabajando. Mantenga la zona de trabajo libre de cables, palos, piedras y suciedad que, si son golpeados por la cuchilla, puedan convertirse en objetos lanzados.

ADVERTENCIAS DE SEGURIDAD DE LA PODADORA

- Nunca permita que niños o personas no familiarizadas con las instrucciones utilicen esta herramienta.
- Use el producto de día o bajo luz artificial bien iluminada.
- Evite el uso en hierba mojada.
- Afírmese bien en sus piernas y no extienda demasiado el brazo.
- No camine hacia atrás mientras use este producto.
- Camine, nunca corra.
- Mantenga a las demás personas, y en especial a los niños y a los animales, a una distancia mínima de 15 m de la zona de corte.
- Mantenga el accesorio de corte por debajo del nivel de la cintura.
- No utilice el producto con las cubiertas dañadas o sin tenerlas colocadas.
- Nunca adapte una línea de reemplazo de metal.
- Mantenga las manos y los pies lejos de los medios cortantes en todo momento y especialmente cuando encienda el motor.
- Tenga cuidado. Los elementos de corte siguen rotando después de apagar el motor.
- Tenga cuidado con los objetos lanzados por el medio de corte. Limpie la suciedad como pequeñas piedras, gravilla y otros objetos extraños de la zona de trabajo antes de empezar a operar.
- Desactivar y desconectar del suministro eléctrico antes de:
 - mantenimiento
 - dejar el producto desatendido
 - limpieza y desobstrucción de bloqueo de su producto
 - cambiar accesorios
 - comprobar si hay daños después de golpear un objeto
 - comprobar si hay daños en caso de que el producto empiece a vibrar de un modo anormal
 - realizar operaciones de mantenimiento
- La pequeña cuchilla encajada en el protector del césped está diseñada para cortar la nueva línea ampliada a la longitud correcta a fin de obtener un rendimiento seguro y óptimo. Es muy afilada, no la toque, especialmente cuando limpie la herramienta.
- Asegúrese siempre de que las aberturas de ventilación estén libres de residuos.

- Asegúrese de que el cabezal de corte está correctamente instalado y ajustado.
- Asegúrese de que todas las protecciones, deflectores y mangos están unidos de forma correcta y segura.
- No modifique, de ninguna manera, la máquina, ya que puede aumentar el riesgo de lesionarse usted o de lesionar a los demás.
- Utilice sólo el hilo de corte de recambio del fabricante. No utilice ningún tipo de pieza cortante.
- Se ha informado de que las vibraciones de las herramientas de mano puede contribuir a una condición llamada síndrome de Raynaud en ciertos individuos. Los síntomas pueden incluir hormigueo, entorpecimiento y decoloración de los dedos, generalmente aparentes cuando tiene lugar una exposición al frío.
- Se considera que los factores hereditarios, exposición al frío y a la humedad, dieta, tabaquismo y prácticas de trabajo contribuyen al desarrollo de estos síntomas. Existen medidas que pueden ser tomadas por el operador para reducir los efectos de vibración:
 - Mantenga su cuerpo caliente durante el tiempo frío. Al manipular la unidad, utilice guantes para mantener las manos y las muñecas calientes. Hay informes que indican que el tiempo frío es un gran factor que contribuye al síndrome de Raynaud.
 - Después de cada período de funcionamiento, realice ejercicios para aumentar la circulación sanguínea.
 - Haga pausas de trabajo frecuentes. Limite la cantidad de exposición por día.
- Si siente alguno de los síntomas de esta enfermedad, interrumpa inmediatamente el uso y consulte a su médico estos síntomas.

⚠ ADVERTENCIA

El uso prolongado de una herramienta puede causar o agravar lesiones. Al utilizar cualquier herramienta durante períodos prolongados asegúrese de tomar descansos regulares.

TRANSPORTE Y ALMACENAMIENTO

- Pare la máquina y deje que se enfríe antes de guardarla o transportarla.
- Limpie todo el material extraño que pueda permanecer en el producto. Guarde en una zona seca y bien ventilada, a la que no puedan acceder los niños. Evite el contacto con agentes corrosivos tales como productos químicos de jardinería o sales descongelantes. No almacenar al aire libre.
- Para su almacenamiento, desconectar siempre del suministro eléctrico y enrollar el cable.
- Para el transporte, asegure la máquina para que no se mueva ni se caiga y evitar así lesionar a alguien o dañar la máquina.

MANTENIMIENTO

⚠ ADVERTENCIA

Utilice sólo piezas y accesorios de recambio originales del fabricante. Si no lo hace podría ocurrir un mal funcionamiento, podrían producirse daños o podría quedar anulada la garantía.

⚠ ADVERTENCIA

Las reparaciones requieren tener mucho cuidado y conocimiento y sólo debe realizarse por un técnico de servicio calificado. Para obtener servicio, le sugerimos que devuelva el producto al centro de servicio autorizado más cercano para reparación. Al realizar una reparación, sólo use piezas de reemplazo idénticas.

- Antes de realizar cualquier operación de mantenimiento, corte el suministro eléctrico desconectando el enchufe de la corriente. Asegúrese de que el interruptor está en posición Apagado antes de desconectarlo del suministro eléctrico.
- Usted puede realizar los ajustes y reparaciones descritos en este manual del usuario. Para otro tipo de reparaciones póngase en contacto con un agente de servicios autorizado.
- Para sustituir el hilo utilice solo hilo con filamento de nylon del diámetro descrito en la tabla de características de este manual.
- Después de extender un nuevo hilo de corte, asegúrese siempre de que el producto está en su posición de funcionamiento normal antes de encenderla.
- Limpiar el producto con un paño suave seco después de cada uso. Cualquier pieza dañada debe ser sustituida o reparada adecuadamente por un centro de servicio autorizado.
- Verifique a intervalos frecuentes si todas las tuercas, pernos y tornillos están apretados apropiadamente para asegurarse de que el producto esté en buenas condiciones de trabajo.

USO PREVISTO

Este producto sólo está pensado para su uso al aire libre. Este producto está diseñado para cortar hierba y maleza liviana y vegetación similar en o sobre el nivel del suelo. El plano de corte debe ser aproximadamente paralelo a la superficie del suelo.

Este producto no debería ser utilizado para cortar o recortar setos, arbustos u otro tipo de vegetación cuando el plano de corte no es paralelo a la superficie del suelo.

RIESGOS RESIDUALES:

Incluso cuando use la máquina conforme a lo prescrito, es imposible eliminar completamente determinados factores de riesgo residuales. Los siguientes peligros pueden surgir en el uso y el operador debe prestar especial atención para evitar lo siguiente:

- Lesiones por vibración. Sujete la herramienta por los

mangos destinados al efecto y limite el tiempo de funcionamiento y de exposición.

- La exposición al ruido puede causar pérdidas de audición. Use protección para los oídos y limite el tiempo de exposición

FAMILIARÍCESE CON LA HERRAMIENTA.

Véase la página 94.

PIEZAS

1. Mango trasero
2. Gatillo
3. Retenedor de cable
4. Cable de alimentación
5. Soporte del asa frontal
6. Mango delantero
7. Botón de ajuste del mango
8. Eje superior
9. Anillo telescópico
10. Anillo rotativo
11. Eje inferior
12. Botón giratorio
13. Protección de seguridad
14. Rueda de bordes
15. Protector de plantas
16. Hilo de corte
17. Cubierta del carrete
18. Cuchilla de corte
19. Botón de liberación de hilo
20. Ojal
21. Botón de bloqueo de la cubierta del carrete
22. Bobina

SÍMBOLOS EN EL PRODUCTO



Lea y comprenda todas las instrucciones antes de manipular el producto, respete las advertencias y las instrucciones de seguridad.



Utilice protección ocular



Use protección para los oídos.



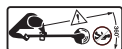
No utilice cuchilla(s) con el producto.



No la esponja a la lluvia o a lugares húmedos.



Retire el enchufe de la corriente inmediatamente antes de realizar cualquier mantenimiento o si el cable está dañado o cortado.



Tenga cuidado con los objetos volátiles o lanzados.

Mantenga a los espectadores a una distancia segura del producto.



Tenga cuidado con los objetos volátiles o lanzados. Mantenga a las demás personas, y en especial a los niños y a los animales, a una distancia mínima de 15 m de la zona de corte.



Herramienta de tipo II, doble aislamiento



Los productos eléctricos de desperdicio no deben desecharse con desperdicios caseros. Por favor recíclelos donde existan dichas instalaciones.

Compruebe con su autoridad local o minorista para reciclar.



Conformidad con CE



Conformidad con GOST-R



El nivel de potencia sonora garantizado es de 96 dB.



Las piezas o accesorios se venden por separado



Los productos eléctricos de desperdicio no deben desecharse con desperdicios caseros. Por favor recíclelos donde existan dichas instalaciones.



OBSERVACIÓN:



ADVERTENCIA

Los siguientes símbolos y palabras detallan los niveles de cuidado necesarios para usar este producto.

Símbolo	Señal	Significado
	PELIGRO	Indica una situación potencialmente peligrosa que, de no evitarse, puede ocasionar la muerte o heridas de gravedad.
	ADVERTENCIA	Indica una situación peligrosa que, de no evitarse, puede ocasionar la muerte o heridas de gravedad.
	ADVERTENCIA	Indica una situación potencialmente peligrosa que, de no evitarse, puede ocasionar heridas leves.
	ADVERTENCIA	Sin símbolo de alerta de seguridad Indica una situación que puede causar daños en las cosas.

ICONOS DE ESTE MANUAL



Conectar a la toma de corriente



Desconectar de la toma de corriente

AVVERTENZE GENERALI DI SICUREZZA

⚠ AVVERTENZA

Quando si utilizza questo prodotto, seguire eventuali norme di sicurezza. Per la propria sicurezza e per la sicurezza degli osservatori, leggere queste istruzioni prima di mettere in funzione il prodotto. Conservare le istruzioni per eventuali riferimenti futuri.

⚠ AVVERTENZA

Utensile non adatto ad essere utilizzato da bambini o da persone con capacità fisiche, mentali o sensoriali ridotte. I bambini devono essere adeguatamente supervisionati per assicurarsi che non giochino con l'utensile.

⚠ AVVERTENZA

Alcune regioni hanno norme che limitano l'utilizzo del prodotto. Controllare con le autorità locali per avere ulteriori informazioni a riguardo

UTILIZZO

- Tenere il prodotto lontano dalla portata dei bambini e di persone che non ne conoscono l'uso o le istruzioni di funzionamento. Leggi locali possono limitare l'età dell'operatore.
- Leggere attentamente le istruzioni. Familiarizzare con tutti i comandi e con l'utilizzo corretto dell'utensile.
- Mantenere le persone estranee e, in particolar modo, i bambini e gli animali domestici ad una distanza di almeno 15 m dall'area di lavoro. Arrestare l'utensile se eventuali osservatori si avvicinano all'area di lavoro.
- Non mettere mai in funzione il prodotto se si è stanchi, malati o sotto l'influenza di alcool, droga o medicinali.
- Ricordare che l'operatore sarà responsabile di eventuali lesioni o danni a persone o cose.

SICUREZZA ELETTRICA

- La spina dell'elettrotensile deve corrispondere alla presa. Non modificare la spina in alcun modo. Non utilizzare spine adattatrici con elettrotensili con messa a terra (presa di terra). Spine non modificate e prese corrispondenti ridurranno il rischio di scosse elettriche.
- Non mettere in funzione accidentalmente l'utensile. Controllare sempre che l'interruttore sia in posizione OFF (spento) prima di collegare l'utensile all'alimentazione. Non trasportare mai il prodotto con il dito sull'interruttore.
- Evitare il contatto del corpo con superfici con messa a terra come tubi, radiatori, piani cottura e refrigeratori. Rischio aumentato di scosse elettriche se il corpo viene collegato con messa a terra.
- Non esporre il prodotto a pioggia o umidità. Si aumenterà il rischio di scosse elettriche nel caso in cui l'acqua entri nel dispositivo.
- La corrente elettrica dovrà essere fornita attraverso un dispositivo di corrente residua (RCD) con una corrente

di scatto non superiore a 30 mA.

- Prima di ogni utilizzo, controllare il cavo dell'alimentazione per evidenziare eventuali danni. Nel caso in cui si riscontrino segni di danni, far sostituire l'utensile da un centro servizi autorizzato. Srotolare sempre il cavo prima dell'uso, cavi arrotolati possono surriscaldarsi.
- Nel caso in cui si debba utilizzare una prolunga, assicurarsi che sia adatta all'utilizzo in esterni e che abbia una capacità di corrente sufficiente per fornire l'utensile, controllare prima di ogni uso per evidenziare danni e srotolare sempre durante l'utilizzo dal momento che i cavi arrotolati possono surriscaldarsi. Cavi di prolughe danneggiati non devono essere riparati, devono essere sostituiti con un tipo equivalente.
- Non utilizzare il prodotto se i cavi elettrici sono stati danneggiati o sono consumati.
- Se il cavo dell'alimentazione o la prolunga vengono danneggiati durante l'utilizzo scollegarli immediatamente dall'alimentazione. Non toccare i cavi elettrici prima che l'alimentazione non sia stata scollegata.
- Assicurarsi che il cavo dell'alimentazione sia posizionato in modo da non essere danneggiato dai dispositivi di taglio, in modo che non venga calpestato o da non causare inciampo né che venga sottoposto a danni o stress.
- Non prendere né trasportare mai il prodotto dal cavo elettrico.
- Non scollegare mai l'utensile tirando il cavo dalla presa.
- Tenere il cavo lontano da fonti di calore, olio ed angoli appuntiti.
- Assicurarsi che il voltaggio sia corretto per il prodotto. Una targhetta sul prodotto indica il voltaggio dell'unità. Non collegare il prodotto a voltaggio AC diverso dal voltaggio del presente prodotto.
- Assicurarsi che l'interruttore sia su OFF (spento) prima di scollegarlo dall'alimentazione.

PREPARAZIONE

- Indossare occhiali e cuffie di protezione mentre si utilizza questo prodotto. Nel caso in cui si sia lavorando in un'area dove vi sia rischio di caduta di oggetti, indossare sempre una protezione per la testa.
- Le cuffie di protezione potranno limitare la capacità di ascoltare avvertenze e rumori, prestare quindi particolare attenzione a rischi potenziali attorno e all'interno dell'area di lavoro.
- Indossare stivali e guanti pesanti e pantaloni lunghi. Non indossare abiti con parti svolazzanti, pantaloni corti, gioielli di alcun genere, né utilizzare se scalzi.
- Assicurare i capelli lunghi all'altezza delle spalle per evitare che rimangano impigliati nelle parti in movimento.
- Prima dell'utilizzo e dopo ogni impatto, controllare che non vi siano parti danneggiate. Un interruttore difettoso o qualsiasi parte danneggiata o consumata dovrebbe essere accuratamente riparata o sostituita da un servizio autorizzato.
- Assicurarsi che l'accessorio di taglio sia accuratamente

installato e serrato.

- Non mettere mai in funzione l'utensile a meno che tutti gli schermi, i deflettori e i manici non siano stati correttamente installati e serrati.
- Non utilizzare l'elettro utensile in ambienti umidi o in presenza di acqua. Tenere l'area di lavoro pulita, rimuovendo sempre cavi, bastoni, pietre e detriti che, se incastrati nell'utensile, potranno venire scagliati dalla stessa.

AVVERTENZE DI SICUREZZA DEL FILO DI TAGLIO.

- Tenere l'utensile lontano dalla portata dei bambini e di persone che non ne conoscono l'uso o le istruzioni di funzionamento.
- Utilizzare il prodotto con la luce del giorno o con una buona illuminazione artificiale.
- Evitare di utilizzare sull'erba bagnata.
- Rimanere bene in equilibrio sulle gambe e non distendere troppo lontano le braccia.
- Non camminare all'indietro quando si utilizza l'utensile.
- Camminare, non correre mai.
- Mantenere le persone estranee e, in particolar modo, i bambini e gli animali domestici ad una distanza di almeno 15 m dall'area di lavoro.
- Tenere l'accessorio di taglio al di sotto dell'addome.
- Non mettere mai in funzione il prodotto con paralame danneggiati o senza paralame.
- Non sostituire mai un cavo di metallo.
- Tenere mani e piedi lontani dalle parti di taglio e soprattutto durante l'accensione del motore.
- Fare attenzione, gli elementi di taglio continueranno a ruotare dopo aver spento il motore
- Fare attenzione agli oggetti che potranno essere scagliati dalle parti di taglio dell'utensile. Rimuovere i detriti come piccole pietre, sassolini e simili dall'area di lavoro prima di avviare le operazioni.
- Spegner e scollegare dall'alimentazione prima di:
 - assistenza
 - Lasciare il prodotto incustodito
 - Pulire il prodotto o rimuovere un eventuale blocco
 - Cambio accessori
 - Controllare eventuali danni dopo aver colpito un oggetto
 - Controllare eventuali danni se il prodotto inizia a vibrare eccessivamente
 - Svolgere le operazioni di manutenzione
- La lama piccola montata sul paraerba è progettata per tagliare il nuovo filo di taglio alla corretta lunghezza per sicurezza e prestazioni ottimali. È molto affilato, non toccarlo soprattutto quando si pulisce l'utensile.
- Assicurarsi che le griglie di ventilazione siano pulite e rimuovere eventuali materiali di scarto rimasti intrappolati.
- Assicurarsi che la testina sia installata e assicurata correttamente.
- Assicurarsi che i paralame, deflettori e manici siano

montati accuratamente e correttamente.

- Non modificare l'utensile in alcun modo, ciò potrà aumentare il rischio di lesioni verso se stessi o gli altri.
- Utilizzare solo il filo di taglio di sostituzione della ditta produttrice. Non utilizzare alcun altro accessorio di taglio.
- Si è accertato che le vibrazioni causate da utensili a mano possono contribuire a causare una condizione chiamata Sindrome di Raynaud in alcune persone. I sintomi, comprendenti formicolio, intorpidimento e perdita di colore alle dita, si verificano di solito quando ci si espone al freddo.
- Fattori ereditari, esposizione a freddo e umidità, una dieta scorretta, fumo e condizioni di lavoro non sicure potranno contribuire allo sviluppo di questi sintomi. È possibile prendere delle precauzioni per ridurre le vibrazioni:
 - Tenere il corpo al caldo a basse temperature. Quando si utilizza l'utensile, indossare guanti e tenere le mani e i polsi caldi. Le basse temperature contribuiscono a causare la Sindrome di Raynaud.
 - Dopo aver utilizzato l'utensile per un certo periodo, fare degli esercizi per stimolare la circolazione del sangue.
 - Fare spesso delle pause. Limitare la quantità di esposizione giornaliera.
- Nel caso in cui si provino i sintomi di questa condizione, interrompere immediatamente l'utilizzo dell'utensile e consultare un dottore.

⚠ AVVERTENZA

Il prolungato utilizzo dell'utensile potrà causare o aggravare lesioni. Quando si utilizza questo utensile per periodi di tempo prolungati, assicurarsi di fare sempre delle pause regolari.

TRASPORTO E RIPONIMENTO

- Arrestare l'utensile e lasciare raffreddarlo prima di riporlo o prima del trasporto.
- Rimuovere eventuali materiali di scarto dal prodotto. Riporre in un luogo asciutto e ben ventilato non accessibile ai bambini, tenerlo a distanza da agenti corrosivi, come le sostanze chimiche per il giardinaggio e il fondente chimico. Non riporre all'esterno.
- Scollegare dall'alimentazione e arrotolare il cavo prima di riporre l'utensile.
- Per il trasporto, assicurare l'utensile contro il movimento e la caduta per prevenire lesioni a persone o danni alla macchina.

MANUTENZIONE

⚠ AVVERTENZA

Utilizzare solo parti di ricambio, accessori e dispositivi originali della ditta produttrice. In caso contrario si potranno causare lesioni, prestazioni basse e la garanzia verrà invalidata.

⚠ AVVERTENZA

Le operazioni di manutenzione devono essere svolte con grande attenzione e accortezza solo da un tecnico qualificato. Si consiglia di riportare l'utensile al più vicino centro assistenza autorizzato per farlo riparare. Quando l'attrezzo viene riparato, utilizzare solo ricambi identici.

- Prima di svolgere eventuali operazioni di manutenzione, scollegare l'utensile dall'alimentazione principale. Assicurarsi che l'interruttore sia su OFF (spento) prima di scollegarlo dall'alimentazione.
- L'operatore potrà fare le regolazioni e riparazioni descritte nel presente manuale. Per ulteriori riparazioni, contattare il centro servizi autorizzato.
- Per sostituire il filo, utilizzare solo filo di taglio di nylon del diametro descritto nella tavola delle specifiche del presente manuale.
- Dopo aver esteso il nuovo filo di taglio, riportare sempre il prodotto alla normale posizione di funzionamento prima dell'avvio.
- Dopo ogni uso, pulire il prodotto con una panno morbido e asciutto. Riparare eventuali parti danneggiate o farle sostituire da un centro servizi autorizzato.
- Controllare frequentemente dadi, bulloni e viti, verificando che siano stati assicurati correttamente per fare in modo che il prodotto garantisca condizioni di lavoro ottimali.

UTILIZZO RACCOMANDATO

Prodotto da utilizzare solo all'esterno.

Il prodotto è progettato per tagliare erba, erbacce sottili e altra vegetazione simile al o attorno al livello del terreno. Il piano di taglio dovrebbe essere approssimativamente parallelo alla superficie del terreno.

Il prodotto non deve essere utilizzato per tagliare o sfrondare siepi, cespugli o altra vegetazione in cui il piano di taglio non è parallelo alla superficie del terreno.

RISCHI RESIDUI:

Anche quando l'utensile è utilizzato come indicato nel manuale, non è completamente impossibile eliminare alcuni fattori di rischio residuo. Si potranno verificare i seguenti rischi durante l'utilizzo e l'operatore dovrà prestare attenzione speciale per evitare quanto segue:

- Lesioni causate da vibrazioni. Reggere l'utensile dai manici indicati e limitare il tempo di lavoro e l'esposizione.
- L'esposizione al rumore può causare lesioni all'udito. Indossare cuffie di protezione e limitare l'esposizione.

PRENDERE CONOSCENZA DELL'ATTREZZO.

Vedere pagina 94.

PARTI

1. Manico posteriore
2. Grilletto
3. Dispositivo di blocco cavo
4. Cavo di alimentazione
5. Reggimanico anteriore
6. Manico anteriore
7. Manopola di regolazione manico
8. Albero superiore
9. Collare telescopico
10. Collare rotante
11. Albero inferiore
12. Tasto a perno
13. Schermo di sicurezza
14. Ruota di bordatura
15. Schermo proteggi piante
16. Filo di taglio
17. Coperchio bobina
18. Lama di taglio
19. Tasto di rilascio filo
20. Occhiello
21. Tasto di blocco coperchio bobina
22. Bobina

SIMBOLI SUL PRODOTTO

-  Leggere e comprendere tutte le istruzioni prima di mettere in funzione il prodotto, seguire tutte le istruzioni e le avvertenze di sicurezza.
-  Indossare dispositivi di protezione occhi
-  Indossare cuffie di protezione.
-  Non utilizzare la(e) lama(e) sul prodotto.
-  Non esporre a pioggia o umidità.
-  Rimuovere la spina immediatamente prima delle operazioni di manutenzione o se il cavo è tagliato o danneggiato.
-  Fare attenzione ad oggetti scagliati o lanciati dall'utensile.
-  Tenere gli osservatori a una distanza di sicurezza dal prodotto.
-  Fare attenzione ad oggetti scagliati o lanciati dall'utensile. Mantenere le persone estranee e, in particolar modo, i bambini e gli animali domestici ad una distanza di almeno 15 m dall'area di lavoro.



Utensile di Classe II, isolamento doppio



I prodotti elettrici non devono essere smaltiti con i rifiuti domestici. Vi sono strutture per smaltire tali prodotti. Informarsi presso il proprio Comune o rivenditore di sicurezza per smaltire adeguatamente tali rifiuti.



Conformità CE



Conformità GOST-R



Il livello garantito di potenza sonora è di 96 dB.



AVVERTENZA

I seguenti simboli indicano i livelli di rischio associati a questo prodotto.

Simbolo	Segnale	Significato
	PERICOLO	Indica una situazione pericolosa che, se non evitata attentamente, potrà causare gravi lesioni alla persona o morte.
	AVVERTENZA	Indica una situazione potenzialmente pericolosa che, se non evitata attentamente, potrà causare gravi lesioni alla persona o morte.
	ATTENZIONE	Indica una situazione potenzialmente pericolosa che, se non evitata attentamente, potrà causare lesioni minori o moderate alla persona.
	ATTENZIONE	Senza simbolo di allerta di sicurezza Indica una situazione che potrà risultare in gravi danni a cose.

ICONE IN QUESTO MANUALE



Collegare alla presa dell'alimentazione



Scollegare dalla presa dell'alimentazione



Parti o accessori venduti separatamente



I prodotti elettrici non devono essere smaltiti con i rifiuti domestici. Vi sono strutture per smaltire tali prodotti.



NOTA:

ALGEMENE VEILIGHEIDSWAARSCHUWINGEN

⚠ WAARSCHUWING

Wanneer u het product gebruikt, moeten de veiligheidsregels worden opgevolgd. Voor uw eigen veiligheid en deze van omstanders, dient u deze instructies te lezen voor u het product gebruikt. Bewaar de instructies voor later gebruik.

⚠ WAARSCHUWING

Dit werktuig is niet geschikt om te worden gebruikt door kinderen of personen met verminderde fysieke, mentale of zintuigelijke vermogens. Kinderen moeten onder toezicht staan om te verzekeren dat ze niet met het werktuig spelen.

⚠ WAARSCHUWING

Enkele regio's hebben regels die het gebruik van het product beperken. Raadpleeg uw gemeentebestuur voor advies

OPLEIDING

- Laat kinderen of mensen die niet vertrouwd zijn met de gebruiksaanwijzingen, het product nooit gebruiken. De plaatselijke wetgeving kan beperkingen opleggen i.v.m. de leeftijd van de bediener.
- Lees zorgvuldig de instructies. Maak uzelf vertrouwd met alle bedieningselementen en het correcte gebruik van de machine.
- Zorg dat omstanders, in het bijzonder kinderen en huisdieren, minstens 15 meter verwijderd blijven van de plek waar u werkt. Stop de machine als iemand het werkgebied betreedt.
- Gebruik het product nooit wanneer u moe, ziek of onder de invloed bent van alcohol, drugs of medicijnen.
- Hou er rekening mee dat de bediener of gebruiker verantwoordelijk is voor ongevallen of gevaren t.o.v. anderen of hun eigendom.

ELEKTRISCHE VEILIGHEID

- Stekkers van elektrisch gereedschap moeten overeenkomen met de contactdoos. Wijzig de stekker nooit. Gebruik geen adapters met geaarde elektrische werktuigen. Niet-gewijzigde stekkers en overeenkomstige contactdozen zullen het risico op elektrische schok verminderen.
- Voorkom ongewild starten. Controleer altijd of de schakelaar zich in de "Off"-positie bevindt voor u het werktuig met de stroomtoevoer verbindt. Draag het product niet met de stekker in het stopcontact en uw vinger op de schakelaar.
- Vermijd lichaamscontact met een geaard oppervlak, zoals buizen, radiatoren, kookfornuizen en koelkasten. Er bestaat een verhoogd risico voor elektrische schokken als uw lichaam is geaard.
- Stel dit product niet bloot aan regen of natte

omstandigheden. Water dat in het apparaat binnensijpelt verhoogt het risico voor elektrische schok.

- Elektrische stroom moet via een aardlekschakelaar (RCD) worden geleverd met een uitschakelstroom van niet meer dan 30 mA.
- Voor elk gebruik controleert u het stroomsnoer op schade. Als er tekenen van schade zijn, moet dit door een geautoriseerd onderhoudscentrum worden vervangen. Ontrol het stroomsnoer altijd tijdens gebruik, opgerolde snoeren kunnen oververhitten.
- Als u een verlengsnoer dient te gebruiken, zorg er dan voor dat het geschikt is voor buitenshuis gebruik en over voldoende stroomvermogen beschikt om uw werktuig van stroom te voorzien. Controleer voor elk gebruik op schade en ontrol altijd tijdens gebruik aangezien opgerolde kabels kunnen oververhitten. Beschadigde verlengsnoeren mogen niet worden hersteld, maar moeten door een gelijkaardig type worden vervangen.
- Gebruik het product niet als de elektrische kabels beschadigd of versleten zijn.
- Als het stroom- of verlengsnoer tijdens het gebruik beschadigd raakt, dient u het onmiddellijk van de stroomtoevoer te ontkoppelen. Raak de elektrische kabels niet aan tot de stroomtoevoer werd ontkoppeld.
- Zorg ervoor dat het stroomsnoer zo is geplaatst dat het niet door de snijelementen kan worden beschadigd en men er niet kan op trappen, er over struikelen of op een andere manier beschadigen of onder druk brengen.
- Til het product nooit op aan de elektrische kabel of draag het nooit aan de elektrische kabel.
- Trek nooit aan het stroomsnoer om van de stroomtoevoer te ontkoppelen.
- Houd het stroomsnoer weg van hitte, olie en scherpe randen.
- Zorg ervoor dat de spanning aangepast is aan het product. Een naamplaatje op het product duidt de spanning van het toestel aan. Verbind het product nooit met een AC-spanning die verschilt van deze spanning.
- Zorg ervoor dat de schakelaar zich in de Off-positie bevindt voor u de machine van de stroombron ontkoppelt.

VOORBEREIDING

- Draag volledige gezichts- en gehoorbescherming terwijl u het product bedient. Als u op een plaats werkt waar het risico bestaat op vallende voorwerpen moet een veiligheidshelm worden gedragen.
- Gehoorbescherming kan de mogelijkheid van de bediener om waarschuwingsgeluiden te horen, beperken. Wees bijzonder aandachtig voor mogelijke gevaren rond en op de werkplaats.
- Draag een stevige, lange broek, laarzen en handschoenen. Draag geen loszittende kledij, short, juwelen en ga niet blootsvoets.
- Maak lang haar vast zodat het zich boven schouderlengte bevindt om te voorkomen dat het in een bewegend deel verstrikt raakt.
- Voor gebruik en na elke impact controleert u op beschadigde onderdelen. Een defecte schakelaar of een ander onderdeel dat beschadigd of versleten is,

moet deskundig worden hersteld of vervangen door een geautoriseerde onderhoudsdienst.

- Zorg ervoor dat het snijvoorzetstuk goed is geïnstalleerd en stevig is vastgemaakt.
- Gebruik de machine nooit tenzij alle schermen, deflectoren en handvatten correct en veilig zijn gemonteerd.
- Hou rekening met de omgeving waarin u werkt. Houd het werkgebied vrij van kabels, stokken, stenen en afval dat door de maaier kan worden weggegooid, indien geraakt.

VEILIGHEIDSWAARSCHUWINGEN LIJNTRIMMER

- Laat kinderen of mensen die niet vertrouwd zijn met de gebruiksaanwijzingen, de machine nooit gebruiken.
- Gebruik het product bij daglicht of bij goed kunstmatig licht.
- Vermijd gebruik van de machine op nat gras.
- Ga altijd stevig op uw benen staan en reik niet te ver weg met uw arm.
- Stap niet achteruit terwijl u het product gebruikt.
- Stap altijd, loop nooit.
- Zorg dat omstanders, in het bijzonder kinderen en huisdieren, minstens 15 meter verwijderd blijven van de plek waar u werkt.
- Houd het snijvoorzetstuk onder het heupniveau.
- Gebruik het product nooit wanneer de beschermers beschadigd of niet gemonteerd zijn.
- Monteer nooit een metalen vervangingslijn.
- Hou handen en voeten steeds helemaal weg bij het inschakelen van de motor en tijdens het snijden.
- Pas op! De snijelementen blijven draaien nadat de motor is uitgeschakeld.
- Wees voorzichtig voor voorwerpen die door de snijelementen worden weggegooid. Verwijder afval, zoals kleine stenen, grind en andere vreemde voorwerpen uit het werkgebied voor u begint te werken.
- Schakel de machine uit en ontkoppel deze van de stroombron voor:
 - onderhoud
 - het product onbeheerd achterlaten
 - uw product reinigen of een blokkering vrijmaken
 - accessoires vervangen
 - controleer op schade nadat u een voorwerp hebt geraakt
 - controleer op schade als het product abnormaal begint te trillen
 - onderhoud uitvoeren
- Het kleine snijblad dat in de maaibeschermer is geïntegreerd, is ontworpen om de nieuwe uitgebrachte lijn op de correcte lengte af te snijden voor veilige en optimale prestaties. Het is heel scherp, niet aanraken, vooral niet terwijl u het werktuig reinigt
- Zorg er altijd voor dat de ventilatie-openingen vrij blijven van afval.
- Zorg ervoor dat het kopvoorzetstuk goed is geïnstalleerd en stevig vastgemaakt.

- Zorg ervoor dat alle beschermers en handvatten goed en veilig zijn vastgemaakt.
- Wijzig de machine niet. Dit kan het risico op letsels voor uzelf of anderen verhogen.
- Gebruik alleen de vervangmaailijn van de fabrikant. Gebruik geen enkel ander maaivoorzetstuk.
- Er zijn meldingen dat trillingen van handwerktuigen bij sommige mensen bijdragen tot het Syndroom van Raynaud. Symptomen kunnen ondermeer tintelingen, gevoelloosheid en bleek worden van de vingers omvatten, wat normaal gezien duidelijk wordt bij blootstelling aan koude.
- Erfelijke factoren, blootstelling aan koude en vocht, dieet, roken en werkroutine kunnen allemaal bijdragen tot de ontwikkeling van deze symptomen. Er kunnen door de bediener maatregelen worden genomen om de gevolgen van de trillingen te beperken:
 - Houd bij koud weer uw lichaam warm. Draag handschoenen wanneer u de machine gebruikt om handen en polsen warm te houden. Men neemt aan dat koud weer een belangrijke factor is die bijdraagt tot het Syndroom van Raynaud.
 - Doe oefeningen om de bloeddoorstroming te bevorderen na elke periode van gebruik.
 - Neem regelmatig een pauze. Beperk het aantal uren dat u per dag wordt blootgesteld.
- Wanneer u enige van de symptomen van deze aandoening ervaart, stop dan onmiddellijk met het gebruik van het toestel en raadpleeg uw dokter

⚠ WAARSCHUWING

Letfels kunnen worden veroorzaakt of ernstiger worden door verlengd gebruik van een werktuig. Als u een werktuig gedurende langere periodes gebruikt, neem dan regelmatig pauze.

TRANSPORT EN OPSLAG

- Leg de machine stil en laat afkoelen voor opslag of transport
- Verwijder alle vreemde voorwerpen van het product. Bewaar op een koele, droge en goed geventileerde plaats die niet toegankelijk is voor kinderen. Houd corrosieve producten, zoals tuinchemicaliën en strooizout uit de buurt van het apparaat. Bewaar niet buitenshuis.
- Ontkoppel de machine altijd van de stroomtoevoer en rol de kabel op als u de machine bewaart.
- Voor transport beveilig u de machine tegen bewegingen of vallen om letsels of schade aan de machine te voorkomen.

ONDERHOUD

⚠ WAARSCHUWING

Gebruik uitsluitend originele vervagonderdelen, accessoires en voorzetstukken van de fabrikant. Als u dit niet doet, kan dit mogelijks letsels of slechte prestaties veroorzaken waardoor uw garantie kan vervallen.

⚠ WAARSCHUWING

Het onderhoud vereist extreme voorzichtigheid en deskundigheid en mag enkel door een gekwalificeerde onderhoudstechnicus worden uitgevoerd. Wij raden u aan het toestel voor herstellingen naar uw dichtstbijzijnde erkende onderhoudsdienst terug te brengen. Gebruik voor het onderhoud alleen identieke vervagingsonderdelen.

- Voor u onderhoudswerken uitvoert, sluit u de elektrische stroomtoevoer af door de stekker uit de contactdoos te trekken. Zorg ervoor dat de schakelaar zich in de Off-positie bevindt voor u de machine van de stroombron ontkoppelt.
- U kunt de afstellingen en reparaties die in deze gebruiksaanwijzing worden vermeld, uitvoeren. Voor andere herstellingen, neemt u contact op met uw geautoriseerd onderhoudsagent.
- Als vervaglijn gebruikt u uitsluitend nylon filamentlijn met een diameter die in de specificatietabel van deze gebruiksaanwijzing is opgenomen.
- Nadat u een nieuwe maailijn hebt uitgebracht, brengt u het product altijd terug in de normale bedrijfspositie voor u start.
- Na elk gebruik, reinigt u het product met een zachte, droge doek. Een beschadigd onderdeel moet door een geautoriseerd onderhoudscentrum goed worden gerepareerd of vervangen.
- Controleer regelmatig of alle moeren, bouten en vijzen goed zijn vastgemaakt om zeker te zijn dat het product veilig kan worden gebruikt.

VOORGESCHREVEN GEBRUIK

Dit product is uitsluitend geschikt voor buitenshuis gebruik. Het product is ontworpen voor het maaien van gras, licht onkruid en andere gelijkaardige vegetatie op en nabij bodemniveau. De maailijn moet ongeveer parallel met het grondoppervlak zijn.

Het product mag niet worden gebruikt om heggen, struiken of andere begroeiing te snoeien of trimmen waar het maablade niet parallel is met de grond.

RESTRISICO'S

Zelfs als de machine zoals voorgeschreven wordt gebruikt, is het onmogelijk om bepaalde restrisico's te vermijden. De volgende gevaren kunnen zich voordoen tijdens het gebruik en de gebruiker dient in het bijzonder aandacht te hebben om de volgende situaties te vermijden:

- Letsels veroorzaakt door trillingen. Houd het werktuig

vast aan de aangewezen handvatten en beperk de bedrijfstijd en blootstelling.

- Blootstelling aan geluid kan gehoorletsels veroorzaken. Draag gehoorbescherming en beperk de blootstelling.

KEN UW GEREEDSCHAP.

Zie pagina 94.

ONDERDELEN

1. Achterste handvat
2. Aan-/uit-hendel
3. Snoerhouder
4. Stroomsnoer
5. Voorste handgreep
6. Voorste handvat
7. handvat afstelknop
8. Bovenste schacht
9. Uitschuifbare kraag
10. Draaibare kraag
11. Onderste schacht
12. Zwenkknop
13. Veiligheidsscherm
14. Randjeswiel
15. Plantbeschermer
16. Maailijn
17. Spoeldekseel
18. Afsnijblad
19. Maailijnontgrendelknop
20. Oog
21. Spoeldekseelvergrendelknop
22. Spoel

SYMBOLEN OP HET PRODUCT



Lees en begrijp alle instructies voor u het product bedient, volg alle waarschuwingen en veiligheidsinstructies.



Draag gezichtsbescherming



Draag gehoorbescherming



Gebruik geen blad(en) op het product



Stel niet bloot aan regen of vocht.



Verwijder onmiddellijk de stekker uit de contactdoos voor onderhoudswerken of wanneer het snoer is beschadigd of doorsneden.



Houd rekening met weggeslingerde of rondvliegende voorwerpen. Hou omstanders op een veilige afstand van het product.



Houd rekening met weggeslingerde of rondvliegende voorwerpen. Zorg dat omstanders, in het bijzonder kinderen en huisdieren, minstens 15 meter verwijderd blijven van de plek waar u werkt.



Klasse II-apparaat, dubbele isolatie



Elektrisch afval mag niet samen met ander huishoudafval worden weggegooid. Gelieve te recyclen indien de mogelijkheid bestaat. Neem contact op met uw lokaal bestuur of handelaar om advies te krijgen over recyclage.



EU-conformiteit



GOST-R-conformiteit



Het gegarandeerd geluidsniveau bedraagt 96 dB.



Onderdelen of accessoires afzonderlijk verkocht



Elektrisch afval mag niet samen met ander huishoudafval worden weggegooid. Gelieve te recyclen indien de mogelijkheid bestaat.



OPMERKING:



WAARSCHUWING

De volgende kernwoorden en verklaringen zijn bedoeld om de gevareniveaus die op dit toestel betrekking hebben, te verklaren.

Symbool	Signaal	Betekenis
	GEVAAR	Wijst op een gevaarlijke situatie die, als ze niet wordt voorkomen, dodelijk kan zijn of ernstige verwondingen kan veroorzaken.
	WAARSCHUWING	Wijst op een mogelijks gevaarlijke situatie die, als ze niet wordt voorkomen, dodelijk kan zijn of ernstige verwondingen kan veroorzaken.
	LET OP	Wijst op een mogelijks gevaarlijke situatie die, als ze niet wordt voorkomen, kleine of middelmatige verwondingen kan veroorzaken.
	LET OP	Zonder veiligheidswaarschuwingssymbool Wijst op een situatie die kan leiden tot materiële schade.

ICONEN IN DEZE GEBRUIKSAANWIJZING



Met een contactdoos verbinden



Trek uit de contactdoos

AVISOS GERAIS DE SEGURANÇA

⚠️ ADVERTÊNCIA

Ao utilizar o produto, devem seguir-se as normas de segurança. Para a sua própria segurança e a dos que o rodeiam, leia estas instruções antes de utilizar o produto. Guarde as instruções para usá-las no futuro.

⚠️ ADVERTÊNCIA

Esta ferramenta eléctrica não deve ser utilizada por crianças nem por pessoas com capacidades físicas, mentais ou sensoriais reduzidas. As crianças devem ser mantidas sob vigilância adequada para se garantir que não brincam com a ferramenta eléctrica.

⚠️ ADVERTÊNCIA

Algumas regiões têm normas que limitam o uso do produto. Consulte as autoridades locais

FORMAÇÃO

- Nunca permita que crianças ou pessoas que não estejam familiarizadas com estas instruções utilizem o produto. A legislação local pode restringir a idade do operador.
- Leia as instruções com atenção. Esteja familiarizado com os controlos e a utilização adequada da máquina.
- Mantenha os visitantes e especialmente as crianças e os animais, a uma distância de pelo menos 15 m da zona de corte. Pare a máquina se alguém entrar na área.
- Não utilize o produto quando estiver cansado, doente ou sob a influência do álcool, drogas ou medicamentos.
- Mantenha em mente que o operador ou o utilizador é responsável pelos acidentes ou perigos que ocorrem a outras pessoas ou à sua propriedade.

SEGURANÇA ELÉCTRICA

- As fichas eléctricas da ferramenta têm de corresponder à tomada. Nunca altere a ficha seja de que maneira for. Não use quaisquer fichas adaptadoras com ferramentas de ligação com terra. As fichas não modificadas e tomadas compatíveis reduzirão o risco de choque eléctrico.
- Evite um arranque inesperado. Verifique sempre se o interruptor está na posição OFF (desligado) antes de a ferramenta à corrente eléctrica. Não transporte um produto ligado com o dedo no interruptor.
- Evite o contacto do corpo com superfícies com ligação terra ou enterradas, tais como tubos, radiadores, fogões e frigoríficos. Há um aumento do risco de choque eléctrico se o seu corpo estiver ligado à terra.
- Não exponha este produto à chuva ou humidade elevada. Se entrar água no aparelho, isto aumentará o risco de descargas eléctricas.
- O fornecimento eléctrico deveria efectuar-se através de um dispositivo de corrente residual (RDC) com uma

corrente activa não superior a 30 mA.

- Antes de cada uso, examine o cabo para ver se está danificado. Se houver sinais de danos, deve ser substituído por um centro de serviço autorizado. Desenrole sempre o cable durante o uso, os cabos enrolados podem sobreaquecer.
- Se precisar de utilizar um alargador, assegure-se de que é adequado para o exterior e que tem uma capacidade de corrente suficiente para o fornecimento da sua ferramenta, verifique antes de cada uso para ver se está danificado, e desenrole-o sempre durante o uso porque os cabos enrolados podem sobreaquecer. Os alargadores não devem ser reparados, devem ser substituídos por outros que sejam equivalentes.
- Não utilizar o produto se os cabos eléctricos estiverem danificados ou desgastados.
- Se o cabo de alimentação ou o cabo de extensão se danificarem durante o uso, desligar imediatamente do fornecimento eléctrico. Não tocar nos cabos eléctricos até se ter desligado o fornecimento eléctrico.
- Assegure-se de que o cabo de alimentação está situado de tal maneira que não pode ser danificado ou cortado e que não se pisará, estorvará nem estará submetido a danos ou incómodos.
- Não pegue nem leve o produto pelo cabo eléctrico.
- Não pegue no cabo de alimentação para desligá-lo do fornecimento eléctrico.
- Mantenha o cabo eléctrico afastado do calor, óleo e pontas afiadas.
- Assegure-se de que a voltagem é adequada para o seu produto. Uma placa de identificação no produto indica a voltagem da unidade. Não ligue o produto a uma voltagem de CA que não corresponda à sua voltagem.
- Assegure-se de que o interruptor está em posição Desligado antes de desligar do fornecimento eléctrico.

PREPARAÇÃO

- Use óculos de protecção total para os olhos e ouvidos ao utilizar este produto. Ao trabalhar numa área onde haja um risco de queda de objectos, tem que se usar uma protecção para a cabeça.
- Os protetores para os ouvidos podem limitar a capacidade dos operadores para ouvir sons de alerta. Preste especial atenção aos perigos potenciais à volta e dentro da zona de trabalho.
- Use luvas, botas e calças resistentes. Não use roupa larga, calças curtas, joalheria de qualquer tipo, nem esteja descalço.
- Prenda o cabelo comprido para que fique acima do nível dos ombros para evitar que fique emaranhado em quaisquer peças móveis.
- Antes do seu uso e após qualquer impacto, comprove que não há peças danificadas. Os interruptores defeituosos ou gastas ou qualquer outra peça danificada devem ser substituídos ou reparados adequadamente por um estabelecimento de serviço autorizado.
- Assegure-se de que o acessório de corte está correctamente instalado e ajustado.



- Nunca opere com a máquina a menos que todas as protecções, deflectores e cabos estejam unidos de forma correcta e segura.
- Tenha em consideração o ambiente em que está a trabalhar. Mantenha a zona de trabalho livre de cabos, paus, pedras e sujidade que, se forem atingidos pela lâmina, podem converter-se em objetos lançados.

ALERTAS DE SEGURANÇA DO PODADOR

- Nunca permita que crianças ou pessoas que não estejam familiarizadas com estas instruções utilizem o aparelho.
- Utilize o produto à luz do dia ou com uma luz artificial eficaz.
- Evite o uso em erva molhada.
- Fique sempre bem apoiado nas pernas e não estique demasiado o braço.
- Não ande para enquanto usa este produto.
- Ande e nunca corra.
- Mantenha os visitantes e especialmente as crianças e os animais, a uma distância de pelo menos 15 m da zona de corte.
- Mantenha o acessório de corte abaixo do nível da cintura.
- Não utilize o produto com as tampas danificadas ou sem tê-las colocadas.
- Nunca encaixe uma linha de substituição de metal.
- Mantenha sempre as mãos e os pés afastados dos meios de corte, especialmente quando ligar o motor.
- Cuidado, os elementos de corte continuam a funcionar após o motor ser desligado.
- Tenha cuidado com os objectos lançados pelo meio de corte. Limpe a sujidade como pequenas pedras, gravilha e outros objetos estranhos da zona de trabalho antes de começar a operar.
- Desactivar e desligar do fornecimento eléctrico antes de:
 - manutenção
 - deixar o produto sem vigilância
 - limpeza do seu produto e desobstrução de bloqueio.
 - mudar acessórios
 - comprovar se há danos depois de bater num objecto
 - comprovar se há danos caso o produto comece a vibrar de um modo anormal
 - realizar operações de manutenção
- A pequena lâmina encaixada no protetor do relvado foi dissecada para cortar a nova linha ampliada ao comprimento correto a fim de obter um rendimento seguro e ótimo. É muito afiada, não toque nela, especialmente quando limpar a ferramenta.
- Assegure-se sempre que as aberturas de ventilação se mantêm desobstruídas de detritos.
- Assegure-se de que o acessório da cabeça está correctamente instalado e ajustado.
- Assegure-se de que todas as protecções, deflectores e cabos estão unidos de forma correcta e segura.

- Não modifique, de forma nenhuma, a máquina, porque pode aumentar o risco de lesionar-se ou os demais.
- Use somente linhas de corte de substituição do fabricante. Não utilize nenhum tipo de peça cortante.
- Foi reportado que as vibrações das ferramentas de mão podem contribuir para uma doença designada de Síndrome de Raynaud em determinados indivíduos. Os sintomas podem incluir formigamento, entorpecimento e empalidecimento dos dedos, habitualmente visível aquando da exposição ao frio.
- Estima-se que os factores hereditários, exposição ao frio e humidade, dieta, tabagismo e práticas de trabalho contribuem todos para o desenvolvimento destes sintomas. Existem medidas que podem ser tomadas pelo operador para possivelmente reduzir os efeitos da vibração:
 - Mantenha o seu corpo quente durante o tempo frio. Ao operar a unidade, use luvas para manter as mãos e os pulsos quentes. Encontra-se reportado que o tempo frio é um grande factor que contribui para o Síndrome de Raynaud.
 - Após cada período de operação, exercite para aumentar a circulação sanguínea.
 - Faça pausas frequentes no trabalho. Limite o tempo de exposição por dia.
- Caso sinta algum dos sintomas desta doença, interrompa de imediato a sua utilização e consulte o seu médico sobre estes sintomas.

⚠ ADVERTÊNCIA

O uso prolongado de uma ferramenta pode causar o agravar lesões. Ao usar qualquer ferramenta durante períodos prolongados, assegure-se que faz intervalos regulares.

TRANSPORTE E ARMAZENAMENTO

- Pare a máquina e deixe arrefecer antes de guardá-la ou transportá-la.
- Limpe todos os materiais estranhos do produto. Guarde-o num local fresco e seco e bem ventilado a que as crianças não consigam aceder. Mantenha-o afastado de substâncias corrosivas, tais como produtos químicos utilizados em jardinagem e sais de descongelação. Não armazenar ao ar livre.
- Para o seu armazenamento, desligar sempre do fornecimento eléctrico e enrolar o cabo.
- Para o transporte, segure a máquina para não se mover nem cair e evitar assim lesionar alguém ou danificar a máquina.

MANUTENÇÃO

⚠ ADVERTÊNCIA

Utilize apenas peças de substituição, acessórios e encaixes do fabricante original. A inobservância desta indicação pode causar um fraco desempenho, possíveis lesões e poderá anular a sua garantia.



⚠️ ADVERTÊNCIA

Os serviços de manutenção requerem extremo cuidado e conhecimentos e devem apenas ser realizado por um técnico de assistência qualificado. Para assistência, sugerimos que devolva o produto ao seu centro de assistência autorizado mais próximo para reparação. Ao realizar serviços de manutenção, use apenas peças de substituição idênticas.

- Antes de realizar quaisquer operações de manutenção, corte a fonte de alimentação desligando a ficha da tomada. Assegure-se de que o interruptor está em posição Desligado antes de desligar do fornecimento eléctrico.
- Pode realizar os ajustes e reparações descritos neste manual do utilizador. Para outro tipo de reparações entre em contacto com um agente de serviço autorizado.
- Ao substituir a linha use sempre linha com filamento de nylon com o diâmetro descrito na tabela de especificações neste manual.
- Após ter estendido a nova linha do aparador, volte sempre a colocar o produto na sua posição normal de operação antes de o ligar.
- Limpar o produto com um pano suave seco depois de cada uso. Qualquer peça danificada deve ser substituída ou reparada adequadamente por um centro de serviço autorizado.
- Verifique todas as porcas, pregos e parafusos com intervalos frequentes para confirmar a tensão apropriada e se certificar que o produto está em condições seguras de funcionamento.

USO PREVISTO

Este produto destina-se exclusivamente a ser utilizado ao ar livre.

Este produto destina-se a cortar relva, ervas e vegetação semelhante a ou perto do nível do chão. O aparelho de corte deve estar quase paralelo à superfície do chão.

O produto não deve ser usado para cortar ou aparar sebes, arbustos ou outra vegetação em que o aparelho de corte não fique paralelo à superfície do chão.

RISCOS RESIDUAIS:

Mesmo quando a máquina é usada conforme prescrito, ainda é impossível eliminar completamente determinados factores de risco residuais. Os seguintes perigos podem surgir na utilização e o operador deve prestar especial atenção para evitar o seguinte:

- Lesões por vibração. Segure a ferramenta pelos cabos destinados para o efeito e limite o tempo de funcionamento e de exposição.
- A exposição ao ruído pode provocar perda de audição. Use protecção para os ouvidos e limite o tempo de exposição

CONHEÇA A SUA FERRAMENTA.

Ver a página 94.

PEÇAS

1. Pega traseira
2. Gatilho
3. Fixador de cabo
4. Cabo de alimentação
5. Suporte da pega frontal
6. Pega frontal
7. Botão de ajuste da pega
8. Eixo superior
9. Anel telescópico
10. Anel rotativo
11. Eixo inferior
12. Botão de fuso
13. Guarda de protecção
14. Roda de rebordo
15. Protector de plantas
16. Linha de corte
17. Cobertura da bobina
18. Lâmina de corte
19. Botão de libertação da linha
20. Ilhó
21. Botão de bloqueio da cobertura da bobina
22. Bobina

SÍMBOLOS NO PRODUTO



Leia e compreenda todas as instruções antes de manipular o produto, respeite os alertas e as instruções de segurança.



Usar protecção para os olhos



Use protecção para os ouvidos.



Não utilize lâmina(s) com o produto.



Não o exponha à chuva ou a condições de humidade.



Retire a ficha da corrente de imediato antes da manutenção ou caso o cabo esteja danificado ou cortado.



Tenha cuidado com os objectos voláteis ou lançados. Mantenha os espectadores a uma distância segura do produto.



Tenha cuidado com os objectos voláteis ou lançados. Mantenha os visitantes e especialmente as crianças e os animais, a uma distância de pelo menos 15 m da zona de corte.



Ferramenta de tipo II, duplo isolamento





Os aparelhos eléctricos antigos não devem ser eliminados juntamente com o lixo doméstico. Recicle onde existem instalações para o efeito. Verifique com as suas Autoridades Locais ou revendedor para obter informações sobre reciclagem.



Conformidade CE



Conformidade GOST-R



O nível de potência sonora garantido é de 96 dB.



ADVERTÊNCIA

As seguintes palavras de sinal e significados destinam-se a explicar os níveis de risco associados a este produto.

Símbolo	Sinal	Significado
	PERIGO	Indica uma situação perigosa iminente, que, se não evitada, poderá resultar em morte ou ferimentos graves.
	ADVERTÊNCIA	Indica uma situação potencialmente perigosa, que, se não evitada, poderá conduzir à morte ou graves lesões.
	ADVERTÊNCIA	Indica uma situação potencialmente perigosa, que, se não evitada, poderá resultar em pequenas ou moderadas lesões.
	ADVERTÊNCIA	Sem símbolo de alerta de segurança Indica uma situação que pode resultar em danos de propriedade.

ÍCONES NESTE MANUAL



Ligar à tomada de corrente



Desligar da tomada de corrente



As peças ou acessórios vendem-se separadamente



Os aparelhos eléctricos antigos não devem ser eliminados juntamente com o lixo doméstico. Recicle onde existem instalações para o efeito.



NOTA:

GENERELLE SIKKERHEDSADVARSLER

⚠ ADVARSEL

Når produktet anvendes, skal sikkerhedsreglerne efterleves. Af hensyn til egen og andres sikkerhed skal man læse denne brugsanvisning, inden produktet anvendes. Disse sikkerhedsregler skal opbevares med henblik på senere brug.

⚠ ADVARSEL

Dette elværktøj er ikke beregnet til at blive benyttet af børn eller personer med nedsatte fysiske, mentale eller sensoriske evner. Børn bør holdes under behørigt opsyn, så man er sikker på, at de ikke leger med elproduktet.

⚠ ADVARSEL

Nogle områder har regler, som begrænser brugen af produktet. Forhør dig hos de lokale myndigheder

UDDANNELSE

- Lad aldrig børn eller personer uden kendskab til brugsanvisningen bruge produktet. Lokale love kan have indflydelse på den tilladte brugerage.
- Læs brugsanvisningen omhyggeligt. Sørg for at blive fortrolig med alle betjeningselementer for korrekt brug af maskinen.
- Sørg for, at alle tilskuere (især børn og dyr) er mindst 15 m fra arbejdsområdet. Stop maskinen, hvis uvedkommende kommer ind i området.
- Du må aldrig bruge produktet, når du er træt, syg eller under påvirkning af alkohol, narkotika eller medicin.
- Husk det er brugeren selv der er ansvarlig for ulykker eller farer andre folk bliver udsat for.

ELEKTRISK SIKKERHED

- Elværktøjets elstik skal passe til elnetkontakten. Elstikket må aldrig modificeres på nogen som helst måde. Undlad brug af adapterstik til jordede (stelforbundne) elværktøjer. Umodificerede elstik og passende elnetkontakter reducerer faren for elektrisk stød.
- Undgå utilsigtet start af enheden. Kontrollér altid, at kontakten er i pos. Off (=slukket), inden værktøjet sluttes til strømforsyningen. Flyt ikke produktet med fingeren på startknappen, mens det er tilsluttet strøm.
- Undgå kropskontakt med jordede eller stelforbundne overflader som fx rør, radiatorer, komfurer og køleskabe. Der er forøget risiko for elektrisk stød, hvis din krop er forbundet med jord eller stel.
- Dette produkt må ikke udsættes for regn eller fugt. Hvis der trænger vand ind i et produkt, øges faren for elektrisk stød.
- Strømmen skal tilføres via et fejlstrømsmodul (RCD) med en udløsestrøm på max 30 mA.
- Inden hver brug skal man kontrollere elkablet for evt. beskadigelser. Hvis det opviser tegn på skader, skal det

udskiftes på et autoriseret servicecenter. Elkablet skal altid ruller helt ud under brug; oprullede kabler kan blive overophedet.

- Hvis det bliver nødvendigt med et forlænger kabel, skal man sikre sig, at dette er beregnet til udendørs brug og har tilstrækkelig kapacitet til at forsyne værktøjet med strøm; inden ibrugtagning skal man kontrollere forlænger kablet for evt. skader og altid huske at rulle det helt ud under brug, da oprullede kabler kan blive overophedet. Beskadede forlænger kabler må ikke repareres, men skal udskiftes med en tilsvarende type.
- Produktet må ikke anvendes, hvis de elektriske kabler er beskadiget eller slidt.
- Hvis strømforsyningskabler eller forlænger kablet bliver beskadiget under brug, skal strømforsyningen afbrydes øjeblikkeligt. Undgå at røre ved elektriske kabler, før strømforsyningen er blevet afbrudt.
- Kontrollér, at strømforsyningskablet er positioneret, så det ikke kan blive beskadiget af skærende genstande, så ingen træder på det eller falder over det, eller så det ikke på anden måde udsættes for skade eller belastning.
- Produktet må aldrig løftes eller bæres i strømforsyningskablet.
- Træk aldrig i selve kablet, når stikket skal trækkes ud af kontakten.
- Hold strømforsyningsledningen på afstand af varme, olie og skarpe kanter.
- Kontrollér, at spændingen passer til produktet. En navneplade på produktet indikerer enhedens spænding. Produktet må aldrig sluttes en til vekselstrøms spænding, der afviger fra denne spænding.
- Kontrollér, at kontakten er i pos. Off (=slukket), inden stikket trækkes ud af stikkontakten.

FORBEREDELSE

- Benyt fuldt øjen- og høreværn under arbejde med dette produkt. Hvis der arbejdes i et område med fare for nedfaldende genstande, skal der bæres hovedværn.
- Høreværn kan begrænse brugerens evne til at høre advarselslyde; vær derfor særligt opmærksom på potentielle risici omkring og i arbejdsområdet.
- Bær kraftige, lange bukser, støvler og handsker. Undlad at bære løstsiddende tøj, korte bukser, smykker af enhver art eller gå barfodet.
- Langt hår skal bindes op over skulderniveau, så det ikke risikerer at vikle sig ind i bevægelige dele.
- Inden ibrugtagning og efter enhver ydre påvirkning skal man kontrollere, at der ikke findes beskadigede dele. En defekt kontakt eller en del, som er blevet beskadiget eller slidt, skal repareres ordentligt eller udskiftes på et autoriseret serviceværksted.
- Kontrollér, at klippeudstyret er monteret korrekt og ordentligt fastgjort.
- Maskinen må aldrig benyttes, før alle skærme, deflektorer og håndtag er fastgjort ordentligt og sikkert.
- Overvej grundigt hvilken type arbejdsmiljø du befinder dig i. Hold arbejdsområdet ryddet for ledninger, pinde, sten og affald, som ved kontakt med klipperen kan blive

til udslyngede genstande.

SIKKERHEDSADVARSLER VEDR. GRÆSTRIMMER

- Lad aldrig børn eller personer uden kendskab til brugsanvisningen bruge maskinen.
- Anvend produktet i dagslys eller godt kunstigt lys.
- Undgå brug på vådt græs.
- Sørg for altid at have godt fodfæste og god balance.
- Undgå at gå baglæns under brug af produktet.
- Gå, løb aldrig.
- Sørg for, at alle tilskuere (især børn og dyr) er mindst 15 m fra arbejdsområdet.
- Hold klippehovedet under hofteniveau.
- Brug aldrig produktet med beskadigede skærme eller uden påmonterede skærme.
- Anvend aldrig en metalsnor i enheden.
- Hold altid hænder og fødder væk fra skæredelene, dette især når motoren tændes.
- Vær opmærksom på, at de skærende dele fortsætter med at rotere, efter at motoren er slukket.
- Pas på bortslyngede objekter fra klippeudstyr. Fjern affald som små sten, ral og andre fremmedlegemer fra arbejdsområdet, inden arbejdets start.
- Produktet skal slukkes og afbrydes fra strømforsyningen inden:
 - servicering
 - at efterlade produktet uden opsyn
 - rengøring af produktet eller eliminering af en blokering.
 - Udskiftning af tilbehør
 - kontrol for evt. skader efter kollision med et objekt
 - kontrol for evt. skader, hvis produktet begynder at vibrere unormalt
 - udførelse af vedligeholdelsesarbejde
- De små klinger på plæneklipperens skærm er designet til at trimme den nye forlængede tråd til korrekt længde for sikker og optimal ydelse. Den er meget skarp; undgå at røre ved den, især under rengøring af værktøjet.
- Sørg altid for, at ventilationsåbningerne er fri for affald.
- Kontrollér, at trimmerhovedet er monteret korrekt og ordentligt fastgjort.
- Kontrollér, at alle skærme, og håndtag er fastgjort ordentligt og sikkert.
- Undgå at ændre ved maskinen på nogen måde; dette kan øge risikoen for at skade sig selv eller andre.
- Brug kun udskiftningsstråd fra producenten. Der må ikke bruges andet skærende udstyr.
- Der er rapporteret om, at vibrationer fra håndholdte værktøjer kan være medvirkende til en lidelse kaldet Raynauds syndrom hos visse personer. Symptomerne herpå kan være prikken, følelsesløshed og blegning af fingrene, der normalt viser sig ved kuldepåvirkning.
- Faktorer som arvelighed, udsættelse for kulde og fugt, kost, rygning og arbejdsvaner menes alle at medvirke til udviklingen af disse symptomer. Der findes forholdsregler, som operatøren kan træffe for at

begrænse påvirkningen fra vibrationer:

- Hold kroppen varm i koldt vejr. Brug handsker, så hænder og vriste holdes varme under arbejdet. Der er rapporteret om, at koldt vejr er en væsentlig faktor til Raynauds syndrom.
 - Motionér efter hver arbejdsperiode for at øge blodcirkulationen.
 - Hold hyppige arbejdspauser. Begræns eksponeringen for vibrationer pr. dag.
- Hvis du mærker nogen af symptomerne på denne tilstand, skal du straks ophøre med arbejdet og søge læge.

⚠ ADVARSEL

Længere tids brug af et værktøj kan forårsage - eller forværre - personskader. Når man bruger et værktøj i længere perioder ad gangen, skal man huske at holde hyppige pauser.

TRANSPORT OG OPBEVARING

- Stop maskinen, og lad den køle af, inden den opbevares eller transporteres.
- Afrens alle fremmedlegemer fra produktet. Opbevar den på et køligt, tørt og godt ventileret sted utilgængeligt for børn. Opbevar motorsaven på afstand af ætsende midler som f.eks. havekemikalier og optøningssalt. Må ikke opbevares udendørs.
- Opbevaring skal altid ske med afbrudt strømforsyning op rullet kabel.
- Til transport skal man sikre maskinen, så den ikke kan bevæge sig eller vælte; dette for at forebygge personskader eller skader på maskinen.

VEDLIGEHOLDELSE

⚠ ADVARSEL

Brug kun originale reservedele, ekstraudstyr og tilbehør fra producenten. I modsat fald er der fare for personskader, dårlig maskinydelse og annullering af garantien.

⚠ ADVARSEL

Vedligeholdelse kræver stor omhyggelighed og viden og kun bør udføres af en kvalificeret tekniker. Vi anbefaler du leverer enheden tilbage til dit nærmeste autoriserede service center til reparation. Skal dele udskiftes må kun identiske reservedele anvendes.

- Inden der udføres vedligeholdelsesarbejde, skal man afbryde strømforsyningen ved at trække stikket ud af lysnetkontakten. Kontrollér, at kontakten er i pos. Off (=slukket), inden stikket trækkes ud af stikkontakten.
- Du kan lave justeringer og reparationer beskrevet i denne brugervejledning. Til andre reparationsopgaver skal man kontakte den autoriserede servicemontør.
- Tråden må kun udskiftes med en nylonfilamenttråd med

den diameter, der er beskrevet i specifikationstabellen i denne brugsanvisning.

- Når man har monteret en ny tråd, skal produktet altid stilles tilbage i normal arbejdsposition, inden den startes.
- Produktet skal rengøres med en blød klud efter hver brug. Enhver del, som bliver beskadiget, skal repareres ordentligt eller udskiftes på et autoriseret servicecenter.
- Tjek ofte alle møtrikker, bolte og skruer om de sidder godt fast, og sørg for at produktet fungerer ordentligt.

TILTÆNKT ANVENDELSESFORMÅL

Dette produkt er kun beregnet til udendørs brug.

Produktet er beregnet til klipping af græs, lettere ukrudt og anden lignende vegetation i eller ved jordniveau. Klippeplanet bør så vidt muligt være omtrent parallelt med jordoverfladen.

Produktet bør ikke bruges til klipping eller trimning af hække, buske eller anden vegetation, hvor klippeplanet ikke er parallelt med jordoverfladen.

UUNDGÅELIGE RISICI

Selv om maskinen anvendes som foreskrevet, er det stadig umuligt at eliminere visse uundgåelige risikofaktorer fuldstændigt. Følgende risici kan opstå under brug, og operatøren bør være særligt opmærksom for at undgå følgende:

- Personskader forårsaget af vibration. Hold værktøjet i de hertil indrettede håndtag, og begræns arbejdstiden og eksponeringen.
- Eksponering for støj kan medføre høreskader. Benyt høreværn, og begræns eksponering

LÆR REDSKABET RIGTIGT AT KENDE.

Se side 94.

DELE

1. Baghåndtag
2. Udløser
3. Ledningsholder
4. Elledning
5. Holder til forhåndtag
6. Forhåndtag
7. Indstillingknop til håndtag
8. Overskaft
9. Teleskopmanchet
10. Drejemanchet
11. Nederste skaft
12. Drejeknap
13. Sikkerhedsskærm
14. Kantskæringshjul
15. Plantebeskytter
16. Klippetråd
17. Spoleskærm
18. Afklipningsklinge
19. Trådudløseknap
20. Øje
21. Spoleskærm-låseknap
22. Spole

SYMBOLER PÅ PRODUKTET



Alle vejledninger skal læses og forstås, inden produktet benyttes; følg alle advarsler og sikkerhedsinstrukser.



Benyt øjenværn



Benyt høreværn.



Undgå brug af klinge(r) på produktet.



Må ikke udsættes for regn eller bruges på fugtige steder.



Træk omgående stikket ud af lysnetkontakten, hvis kablet beskadiges eller skæres over.



Pas på udslyngede eller flyvende objekter.

Hold tilskuere i sikker afstand fra produktet.



Pas på udslyngede eller flyvende objekter. Sørg for, at alle tilskuere (især børn og dyr) er mindst 15 m fra arbejdsområdet.



Klasse II-værktøj, dobbelt-isoleret



Elektriske affaldsprodukter bør ikke afskaffes sammen med husholdningsaffald. Genbrug venligst hvor faciliteterne tillader dette. Tjek med din lokale kommune eller forhandler for genbrugsråd.



CE Overensstemmelse






GOST-R Overensstemmelse



Det garanterede lydeffektniveau er 96 dB(A).

De følgende ikoner og betydninger er beregnet til at forklare risikoen involveret i at anvende denne enhed.

Symbol	Signal	Betydning
	FARE	Indikerer en meget farlig situation, som hvis ikke undgås, kan føre til alvorlige skader og i værste fald døden.
	ADVARSEL	Indikerer en potentielt farlig situation, som hvis ikke undgås, kan føre til alvorlige skader og i værste fald døden.
	PAS PÅ	Indikerer en potentielt farlig situation, som hvis ikke undgås, kan føre til mindre eller moderate skader.
	PAS PÅ	Uden sikkerhedsadvarselssymbol Indikerer en situation, som kan medføre materiel skade.

IKONER I DENNE BRUGSANVISNING



Tilslut til stikkontakt



Træk stikket ud af stikkontakten



Dele eller tilbehør, der sælges separat



Elektriske affaldsprodukter bør ikke afskaffes sammen med husholdningsaffald. Genbrug venligst hvor faciliteterne tillader dette.



BEMÆRK:



ADVARSEL

ALLMÄNNA SÄKERHETSFÖRESKRIFTER

⚠ VARNING

När man använder apparaten måste säkerhetsföreskrifterna följas För din egen, och andra närvarandes säkerhet, läs alltid dessa instruktioner innan du använder produkten Förvara instruktionerna på ett säkert ställe för användning vid senare tillfälle.

⚠ VARNING

Elverktyget är inte avsett att användas av barn eller personer med fysiska, psykiska eller känsliga funktionshinder. Barn ska övervakas så att de inte leker med verktyget.

⚠ VARNING

I vissa regioner finns regleringar som begränsar användning av produkten. Kontrollera med lokala myndigheter

UTBILDNING

- Låt aldrig barn eller personer som inte har läst dessa anvisningar använda produkten. Lokala regler kan åldersbegränsa användningen av gräsklipparen.
- Läs igenom instruktionerna noga. Se till att du känner till samtliga reglage och hur maskinen ska hanteras.
- Håll alla personer i närheten (speciellt barn och djur) minst 15 m bort från arbetsområdet. Stäng av apparaten om någon kommer in i området.
- Använd aldrig produkten när du är trött, sjuk eller påverkad av alkohol, droger eller mediciner.
- Kom ihåg att användaren är ansvarig för olyckor och faror som uppstår för andra människor och deras egendom.

ELECTRICAL SAFETY

- Kraftverktygets kontakt måste matcha uttaget. Modifiera inte kontakten på något sätt. Använd inga adapterkontakter med jordade kraftverktyg. Omodifierade kontakter och matchande uttag minskar risken för elektrisk stöt.
- Undvik oavsiktlig start. Kontrollera alltid att omkopplaren står i OFF-läge innan redskapet kopplas in i väggkontakten. Bär inte en inkopplad produkt med dina fingrar på strömbrytaren.
- Undvik kroppskontakt med jordade ytor, som exempelvis rör, element, spis och kylskåp. Det föreligger en förhöjd risk för elektrisk stöt om din kropp är jordad.
- Exponera inte produkten för regn eller våta förhållanden. Om vatten kommer in i maskinen ökar risken för elektrisk stöt.
- EI bör komma ifrån en apparat med residual krets (RCD) med en utlösande strömstyrka ej överstigande 30 mA.
- Kontrollera alltid elkabeln före användning. Om det finns tecken på skada ska den bytas ut på godkänt

servicecenter. Rulla ut kabeln före användning, hoprullad kabel kan överhettas.

- Om du måste använda förlängningskabel ska du se till att den är avsedd för utomhusbruk och har kapacitet för ditt elverktyg, kontrollera före användning så kabeln inte är skadad och rulla alltid ut den eftersom hoprullade kablar kan överhettas. Skadade förlängningskablar får inte repareras, de ska ersättas med motsvarande typ.
- Använd inte produkten om kablarna är skadade eller slitna.
- Om el-kabeln eller försägningsssladden skadas när den används, måste man genast koppla ur väggurtaget. Rör inte vid el-kablarna förrän väggkontakten är urkopplad
- Se till att kabeln är placerad så att den inte kan skadas under arbetet och att ingen kliver på den, ingen snubblar på den och kabeln inte på något sätt utsätts för påfrestningar.
- Lyft aldrig upp- eller bär produkten i el-kabeln.
- Dra aldrig ur kontakten ur väggen genom att dra i sladden. .
- Håll el-kabeln borta från värme, olja och skarpa kanter.
- Kontrollera att volttalet är korrekt för produkten. På en skylt på produkten anges strömstyrkan (Volt). Koppla aldrig produkten till en växelströmsstyrka som skiljer från denna.
- Kontrollera att omkopplaren står i OFF-läge innan den kopplas ur från väggurtaget.

FÖRBEREDELSE

- Använd alltid ögon- och hörselskydd vid användning av produkten. Skyddshjälm ska användas på platser där det finns risk för fallande föremål.
- Hörselskydd kan begränsa användarens möjlighet att höra varningsljud, var extra noga med potentiella faror kring och inom arbetsområdet.
- Bär grova, långa byxor, stövlar och handskar. Bär inte löst åsittande kläder, shorts, smycken; gå inte heller barfota.
- Fäst långt här över axelhöjd för att undvika att det fastnar i rörliga delar.
- Kontrollera före användning och efter påverkan att det inte finns några skadade delar. Ett defekt reglage eller någon del som är skadad eller sliten ska repareras eller ersättas av godkänt servicecenter.
- Se till att skärstillbehöret är korrekt installerat och ordentligt fäst.
- Använd inte maskinen om inte alla skydd, avvisare och handtag är korrekt och ordentligt monterade.
- Tänk på vilken omgivning du arbetar i. Håll arbetsområdet fritt från vajrar, pinnar, stenar och skräp som kan träffas och flyga iväg.

SÄKERHETSFÖRESKRIFTER FÖR TRÄDTRIMMER

- Låt aldrig barn eller personer som inte har läst dessa anvisningar använda maskinen.
- Använd produkten i dagsljuset eller bra konstgjort ljus.
- Undvik användning på vått gräs.

EN
FR
DE
ES
IT
NL
PT
DA
SV
FI
NO
RU
CS
PL
HU
RO
LV
LT
ET
HR
SL
SK
BG



- Ha alltid ett bra fotfäste och en god balans.
- Gå inte baklänges när produkten används.
- Gå. Spring aldrig.
- Håll alla personer i närheten (speciellt barn och djur) minst 15 m bort från arbetsområdet.
- Håll skärtilbehöret lägre än midjehöjd.
- Använd aldrig produkten med skadade skydd eller utan skydd.
- Montera aldrig en utbyteslina av metall.
- Håll alltid händer och fötter borta från trimmerdelarna, speciellt under motorstart.
- Var försiktig, skärdelarna fortsätter snurra efter att motorn stängts av.
- Se upp för föremål som kastas i väg av skäranordningen. Rensa bort skräp som småstenar, grus och andra främmande föremål från arbetsområdet innan arbetet påbörjas.
- Stäng av och koppla ur väggkontakten innan:
 - service
 - att lämna produkten utan tillsyn
 - rengöring eller rensning av ett stopp
 - byte av tillbehör
 - efter att ha slagit i något skall man kontrollera ev. skador
 - kontrollera ev. skador om produkten börjar vibrera onormalt
 - Underhåll
- Det lilla bladet som sitter på skärskyddet är för att klippa av trimmertråd till korrekt längd för säker användning och bra resultat. Bladet är mycket vasst, undvik beröring, speciellt vid rengöring.
- Säkerställ alltid att ventilationshålen är öppna och fria från smuts.
- Se till att huvudtillbehöret är korrekt installerad och ordentligt fäst.
- Se till att alla skydd, avvisare och handtag sitter fast ordentligt
- Modifiera inte maskinen på något sätt, det kan öka risken för skador på dig själv eller andra.
- Använd enbart ersättningsstråd från tillverkaren. Använd inga andra skärtilbehör.
- Det finns rapporter om att vibrationer från handhållna verktyg kan bidra till ett tillstånd som kallas Raynauds syndrom för vissa personer. Symptomen brukar vara att det sticker i fingrarna och att de domnar bort; fingrarna kan också bli vita, särskilt vid kyla.
- Ärtliga faktorer, kyla och fukt, diet, rökning och arbetsrutiner tros alla bidra till att orsaka dessa symptom. Det finns förebyggande åtgärder som du kan vidta för att försöka minska vibrationernas påverkan:
 - Håll dig varm när du arbetar i kallt väder. Använd handskar för att hålla kvar värmen i händer och handleder. Kyla har rapporterats som en viktig del i utvecklandet av Raynauds syndrom.
 - Träna och rör på dig efter varje användningstillfälle för att öka blodcirkulationen.
 - Ta ofta pauser från arbetet. Begränsa tiden du utsätter dig varje dag.

- Upphör omedelbart om du upplever några av dessa symptom och uppsök din läkare.

⚠ VARNING

Risk för person- eller slitageskador vid användning av verktyget under lång tid. Om verktyget används under längre perioder krävs regelbundna pauser.

TRANSPORT OCH FÖRVARING

- Stoppa maskinen och låt den svalna före transport eller förvaring.
- Ta bort allt främmande material från produkten. Förvara den svalt och välventilerat på en plats där barn inte kan komma åt den. Förvara på avstånd från frätande medel, t.ex. trädgårdskemikalier och vägsalt. Förvara den inte utomhus.
- Vid förvaring skall den alltid vara urkopplad från väggurtaget och kabeln upprullad
- Vid transport ska maskinen säkras mot rörelser eller fallande för att förhindra personskadorna eller att maskinen skadas.

UNDERHÅLL

⚠ VARNING

Använd enbart ersättningsdelar och tillbehör från tillverkaren. Om inte kan det eventuellt orsaka skador, sämre resultat och kan upphäva garantin.

⚠ VARNING

Att serva produkten kräver extrem försiktighet och kunskap och bör endast utföras av en kvalificerad servicetekniker. Vi rekommenderar att du returnerar produkten till ditt närmsta auktoriserade servicecenter för reparation. Använd endast identiska utbytesdelar när produkten servas.

- Innan något underhållsarbete utförs ska strömförsörjningen brytas genom att kontakten kopplas bort från elnätet. Kontrollera att omkopplaren står i OFF-läge innan den kopplas ur från väggurtaget.
- Du kan göra de justeringar och reparationer som beskrivs i den här manualen. För alla andra reparationer ska godkänt servicecenter kontakta.
- Använd enbart utbytesträd av nylon och korrekt diameter enligt specifikationstabellen i denna manual.
- När ny skärtråd är ute ska maskinen tillbaka i normalt arbetsläge innan den startas.
- Efter rengöring ska maskinen alltid rengöras med en mjuk torr trasa. Skadade delar skall repareras ordentligt eller bytas ut av en auktoriserad servicefirma.
- För att vara säker på att produkten är säker att använda, kontrollera alla muttrar, bultar och skruvar regelbundet för att säkerställa att de är ådragna ordentligt.



ANVÄNDNINGSSOMRÅDE

Denna produkt är avsedd för utomhusbruk. Produkten är avsedd för att klippa gräs, lätt buskage och liknande växtlighet på eller vid marknivå. Klippplanet bör vara parallellt med marken. Produkten ska inte användas för att kapa eller trimma häckar, buskar eller annan vegetation där skärplanet inte är parallellt med marknivå.

KVARSTÅENDE RISKER

Även om maskinen används enligt föreskrifterna, är det ändå omöjligt att helt eliminera kvarvarande mindre riskfaktorer. Följande risker kan uppkomma under bruk och användaren ska vara extra uppmärksam för att undvika följande:

- Skada orsakad av vibration. Håll maskinen i de avsedda handtagen och begränsa arbetstid och exponering.
- Exponering för buller kan orsaka hörselskador. Använd hörselskydd och begränsa exponeringen

KÄNN DITT VERKTYG.

Se sida 94.

DELAR

1. Bakre handtag
2. Avtryckare
3. Kabelvinda
4. Strömssladd
5. Hållare för främre handtag
6. Främre handtag
7. Justeringsvred för handtag
8. Övre skaft
9. Teleskopkrage
10. Roterande krage
11. Nedre skaft
12. Pivotknapp
13. Säkerhetskydd
14. Kanthjul
15. Växtskydd
16. Skärtråd
17. Rullens kåpa
18. Skärblad
19. Knapp för utmatning av tråd
20. Ögla
21. Låsknapp för rullens kåpa
22. Rulle

SYMBOLER PÅ PRODUKTEN



Läs igenom och var införstådd med alla instruktioner före användning av produkten, var uppmärksam på alla varningar och säkerhetsinstruktioner.



Bär ögonskydd



Använd hörselskydd.



Använd inte blad på produkten.



Utsätt inte för regn eller våta omgivningar.



Koppla bort kontakten från elnätet direkt före underhåll eller om kabeln skulle vara skadad eller avklippt.



Se upp med kringkastade eller flygande föremål.

Håll åskådare på säkert avstånd från produkten.



Se upp med kringkastade eller flygande föremål. Håll alla personer i närheten (speciellt barn och djur) minst 15 m bort från arbetsområdet.



Klass II-verktyg, dubbelt isolerat



Gamla elektroniska produkter ska inte kastas med hushållssoporna. Återvinn där sådana faciliteter finns. Kontrollera med din lokala myndighet eller säljaren för att få återvinningstips.



CE-konformitet



GOST-R-konformitet



Garanterad ljudnivå är 96 dB.

Följande signalord och betydelser är tänkta att förklara de olika risknivåerna som är associerade med denna produkt.

Symbol	Signal	Innebörd
	FARA	Indikerar en överhängande farlig situation som kan, om den inte undviks, resultera i dödsfall eller allvarlig skada.
	VARNING	Indikerar en potentiellt farlig situation som kan, om den inte undviks, resultera i dödsfall eller allvarlig skada.
	PÅMINNELSE	Indikerar en potentiellt farlig situation som kan, om den inte undviks, resultera i mindre eller medelstora skador.

PÅMINNELSE

Utan säkerhetssymbol
Visar på en situation som kan
orsaka skada på egendom.

BILDER I DENNA BRUKSANVISNING



Koppla den till ett väggurtag



Urkoppling från väggurtag



Delar och utrustning säljs separat



Gamla elektroniska produkter ska inte
kastas med hushållssoporna. Återvinn
där sådana faciliteter finns.



ANMÄRKNING:



VARNING

YLEISET TURVALLISUUSVAROITUKSET

⚠ VAROITUS

Noudata turvallisuussääntöjä tuotetta käyttäessäsi. Oman ja sivullisten turvallisuuden vuoksi, lue nämä ohjeet ennen tuotteen käynnistämistä. Säilytä ohjeet tulevaa käyttöä varten.

⚠ VAROITUS

Tätä sähkötyökalua ei ole tarkoitettu lasten eikä sellaisten ihmisten käytettäväksi, joiden ruumiin, aistien tai mielen suorituskyky on heikentynyt. Lapsia on pidettävä asianmukaisesti silmällä, jotta he eivät pääse leikkimään sähkötyökalulla.

⚠ VAROITUS

Joillain alueilla vallitsee säädöksiä, jotka rajoittavat tämän tuotteen käyttöä. Pyydä paikallisilta viranomaisilta neuvoa

KOULUTUS

- Älä anna lasten tai käyttöohjeita tuntemattomien ihmisten käyttää tuotetta. Paikalliset säädökset saattavat asettaa rajoituksia käyttäjän iälle.
- Lue ohjeet huolella. Tutustu kaikkiin laitteen hallintalaitteisiin sekä asianmukaiseen käyttöön.
- Pidä vierailijat, eritoten lapset ja kotieläimet vähintään 15 m etäisyydessä työskentelyalueelta. Sammuta laite, jos alueelle tulee ketään.
- Älä koskaan käytä tuotetta väsyneenä, sairaana tai alkoholin, huumeiden tai lääkkeiden vaikutuksen alaisena.
- Muista, että ruohonleikkurin käyttö on vastuunalainen vahingoista ja vaaroista, jotka hän aiheuttaa muille ihmisille ja heidän omaisuuksilleen.

SÄHKÖTURVALLISUUS

- Pistokkeen on sovittava pistorasiaan. Älä koskaan muunna pistoketta millään tavalla. Älä käytä maadoitettujen sähkötyökalujen kanssa minkäänlaisia sovitinpistokkeita. Alkuperäiset pistokkeet ja niitä vastaavat pistorasiat pienentävät sähköiskun vaaraa.
- Varo tahatonta käynnistystä. Tarkista aina, että kytkin on OFF-asennossa, ennen kuin kytket laitteen virtalähteeseen. Älä kanna tuotetta, joka on kytketty virtaan, jos sormi on kytkimellä.
- Älä kosketa maadoitettuihin pintoihin, kuten putkiin, lämpöpattereihin, helioihin tai jääkaappeihin. Jos ruumiisi on maadoitettu, sähköiskun vaara on suurempi.
- Älä altista tätä tuotetta sateelle tai märille olosuhteille. Veden pääsy laitteeseen lisää sähköiskun vaaraa.
- Virtalähteessä tulee olla jännönsvirtalaitte (RCD), jonka trippausvirta on enintään 30 mA.
- Tarkista virtajohto aina ennen käyttöä. Jos löytyy mitään merkkejä vaurioitumisesta, se on vaihdettava valtuutetussa huollossa. Avaa aina johto kääröltä

ennen käyttöä; käärityt johdot voivat ylikuumentua.

- Jos sinun on käytettävä jatkojohtoa, varmista että se soveltuu ulkokäyttöön ja että sen virtaluokitus riittää laitteen vaatimuksille; tarkista se ennen jokaista käyttökertaa vaurioiden varalta ja avaa se kääröltä käytön ajaksi, sillä käärityt johdot voivat ylikuumentua. Vaurioituneita jatkojohtoja ei saa korjata vaan ne tulee vaihtaa vastaavaan tyyppiin.
- Älä käytä tuotetta, jos sähköjohto on vioittunut tai kulunut.
- Jos virtajohto tai jatkojohto vioittuu käytön aikana, irrota se heti virtalähteestä. Älä kosketa sähköjohtoja, ennen kuin virta on katkaistu.
- Varmista, että virtajohto sijaitsee siten, että se ei voi leikkaantua ja että sen päälle ei astuta eikä siihen kompastuta eikä se muuten vioitu tai rasitu.
- Älä koskaan nosta tai kanna tuotetta sähköjohdosta.
- Älä koskaan irrota laitetta pistorasiasta vetämällä virtajohdosta.
- Älä päästä virtajohtoa koskettamaan kuumuuden lähteitä, öljyä tai teräviä reunoja.
- Tarkista, että jännite on tuotteelle oikea. Laitteen jännite ilmoitetaan sen nimikyltissä. Älä koskaan kytkä tuotetta tästä jännitteestä poikkeavaan vaihtovirtaan.
- Tarkista ennen virtalähteestä irrottamista, että kytkin on Off-asennossa.

VALMISTELUT

- Käytä tuotetta käyttäessäsi täysisiä suojalaseja ja kuulosuojaimia. Suojakypärää on käytettävä alueilla, joissa on putoavien kappaleiden vaara.
- Kuulosuojaimet voivat heikentää käyttäjän kykyä kuulla varoitusääniä; ole erityisen tarkkaavainen vaaratilanteiden suhteen työalueen ympärillä ja sisällä.
- Käytä paksuja pitkiä housuja, saappaita ja käsineitä. Älä käytä löyisiä vaatteita, lyhyitä housuja tai minkäänlaisia koruja äläkä ole paljasjaloin.
- Sido pitkät hiukset hartioiden yläpuolelle, jotta ne eivät pääse tarttumaan liukuviin osiin.
- Tarkista ennen käyttöä ja aina iskun jälkeen, että laitteessa ei ole vioittuneita osia. Valtuutetun huoltopisteen on korjattava tai vaihdettava viallinen kytkin tai muu vahingoittunut tai kulunut osa asianmukaisesti.
- Tarkista, että leikkuupää on asennettu asianmukaisesti ja tukevasti.
- Älä koskaan käytä laitetta ilman, että kaikki suojukset, hihnat, ohjauslevyt ja kädensijat on kiinnitetty tukevasti.
- Huomioi ympäristöä, missä työskentelet. Pidä työalue vapaana johdoista, kepeistä, kivistä ja roskista, jotka saattavat sinkoutua leikkurin osuessa niihin.

SIIMATRIMMERIN TURVALLISUUSVAROITUKSET

- Älä anna lasten tai käyttöohjeita tuntemattomien ihmisten käyttää laitetta.
- Käytä tuotetta päivänvalossa tai hyvässä keinovalossa.
- Vältä käyttöä märällä ruoholla.
- Pysyttele tukevasti jalollasi äläkä kurkota käsivartta

liian kauas.

- Älä kävele takaperin tuotetta käyttäessäsi.
- Kävele, älä koskaan juokse.
- Pidä vierailijat, eritoten lapset ja kotieläimet vähintään 15 m etäisyydessä työskentelyalueelta.
- Pidä leikkuupää pää vyötärön alapuolella.
- Älä koskaan käytä tuotetta, jos sen suojukset ovat vioittuneita tai puuttuvat.
- Älä koskaan asenna metallista varasiimaa.
- Pidä kädet ja jalat hyvin kaukana terästä koko ajan, varsinkin konetta käynnistäessä.
- Varo – leikkuuelementit jatkavat pyörimistä moottorin sammuttamisen jälkeen.
- Varo leikkuusiiman sinkoamia kappaleita. Siivoa työalueelta roskat, kuten pienet kivet, sora ja muut vieraskappaleet, ennen käytön aloittamista.
- Sammuta laite ja irrota se virtalähteestä ennen seuraavia toimintoja:
 - huolto
 - tuotteen jättäminen valvomatta
 - ennen tuotteen puhdistamista tai tukoksen poistamista.
 - lisävarusteiden vaihtaminen
 - vaurioiden tarkistaminen esineeseen osumisen jälkeen
 - vaurioiden tarkistaminen, jos tuote alkaa täristä epänormaalisti
 - huolto
- Ruohosuojaan kiinnitetty pieni terä on suunniteltu trimmaamaan uusi siima oikean pituiseksi turvallisena ja optimaalisen toiminnan takaamiseksi. Se on hyvin terävä; älä kosketa sitä puhdistaussasi laitetta.
- Pidä aina huoli siitä, että tuuletusaukoissa ei ole roskia.
- Tarkista, että leikkuupää on asennettu asianmukaisesti ja tukevasti.
- Varmista, että kaikki suojukset, ohjauslevyt ja kädensijat on kiinnitetty tukevasti.
- Älä tee laitteeseen mitään muunnoksia; se lisää loukkaantumisen vaaraa sinulle ja muille.
- Käytä ainoastaan valmistajan tuottamaa siimaa. Älä käytä muita leikkuuvälineitä.
- Raporttien mukaan käsikäyttöisten laitteiden tärinä voi joidenkin kohdalla myötävaikuttaa Raynaud's Syndromen (Raynaudin oireen) ilmenemiseen. Oireita ovat pistely, turvuus ja sormien kalpeneminen, yleensä kylmässä ilmassa.
- Perinnölliset tekijät, kylmyys ja kosteus, ruokavalio, tupakointi sekä työtavat voivat kaikki myötävaikuttaa näiden oireiden ilmenemiseen. Käyttäjät voi ehkäistä tärinän aiheuttamia vaikutuksia seuraavasti:
 - Pidä itsesi lämpimänä kylmällä säällä. Käytä laitteen käytön aikana käsineitä, jotta kätesi ja ranteesi pysyvät lämpöisinä. Raporttien mukaan kylmä ilma on tärkeä tekijä Raynaud's Syndromen (Raunaudin oireiden) ilmenemisessä.
 - Harjoita kunkin käyttöjakson jälkeen liikuntaa, jotta verenkierto lisääntyy.
 - Pidä työn aikana säännöllisesti taukoja. Rajoita

päivittäisen tärinän määrää.

- Jos löydät yllä mainittuja oireita ilmenee, lopeta heti laitteen käyttö ja kerro oireista lääkärille.

VAROITUS

Laitteen pitkittynyt käyttö voi aiheuttaa tai vaikeuttaa vammoja. Kun käytät mitä tahansa laitetta pitkiä aikoja, muista pitää säännöllisiä taukoja.

KULJETUS JA VARASTOITAESSA

- Sammuta laite ja anna sen jäähtyä ennen varastointia ja kuljetusta.
- Puhdista laitteesta kaikki vieraat materiaalit. Varastoi laite viileään, kuivaan ja hyvin tuuletettuun paikkaan, jossa lapset eivät pääse käsiksi. Pidä poissa syövyttäviltä aineilta kuten puutarhakemikaaleilta ja jäänsulatusuualta. Älä säilytä ulkona.
- Irrota virtalähde ja kiedo johto kelaksi ennen varastointia.
- Kiinnitä laite kuljetettaessa siten, että se ei pääse liikkumaan tai kaatumaan, jotta vältytään loukkaantumisilta ja vaurioilta.

HUOLTO

VAROITUS

Käytä ainoastaan alkuperäisiä valmistajan tuottamia varaosia, lisälaitteita ja lisävarusteita. Tämän noudattamatta jättäminen voi johtaa loukkaantumiseen ja huonoon tulokseen ja voi mitätöidä takuun.

VAROITUS

Huolto kaipaa suurta huolellisuutta ja hyvää työkalun tuntemusta: Se on annettava pätevän teknikon tehtäväksi. Suosittelemme, että viet työkalun korjattavaksi lähimpään valtuutettuun liikkeeseen. Käytä vaihdossa yksinomaan alkuperäisiä varaosia.

- Katkaise sähkövirta ennen huoltoa irrottamalla pistoke pistorasiasta. Tarkista ennen virtalähteestä irrottamista, että kytkin on Off-asennossa.
- Voit tehdä tässä käyttöoppaassa kuvattuja säätöjä ja korjauksia. Jos laite vaatii muuta huoltoa, ota yhteys valtuutettuun huoltopisteeseen.
- Käytä vaihtosiimana ainoastaan nailonsiimaa, jonka läpimitta vastaa tämän käsikirjan teknisten tietojen taulukkoa.
- Kun pidennät siimaa, palauta laite aina normaaliin käyttöasentoon ennen sen käynnistystä.
- Puhdista tuote aina käytön jälkeen pehmeällä ja kuivalla liinalla. Valtuutetun huoltopisteen on korjattava tai vaihdettava vioittuneet osat asianmukaisesti.
- Varmista aina, että ruuvit ja mutterit ovat tiukasti kiinni, jotta tuote olisi aina turvallinen ja käyttövalmis.

KÄYTTÖTARKOITUS

Tämä tuote on tarkoitettu yksinomaan ulkokäyttöön.

Laitte on tarkoitettu ruohon, pienten rikkaruohojen ja muiden vastaavien kasvien leikkaamiseen maanpinnan tasolla. Leikkautason on oltava suunnilleen maanpinnan suuntainen.

Laitetta ei saa käyttää pensasaitojen, pensaikkojen tai muun kasvillisuuden leikkaukseen eikä trimmaukseen, jos leikkautason ei ole maanpinnan suuntainen.

KÄYTTÖÖN LIITTYVÄT RISKIT

Vaikka laitetta käytettäisiin ohjeiden mukaisesti, ei ole mahdollista täysin eliminoida tiettyjä käyttöön liittyviä riskitekijöitä. Käytössä voi aiheutua seuraavia vaaroja, ja käyttäjän tulee kiinnittää erityistä huomiota niiden välttämiseen:

- Tärinän aiheuttama vamma. Pitele laitetta aina kahvoista ja rajoita työaikaa sekä altistumista.
- Liian kova melu voi aiheuttaa kuulovamman. Käytä suojalaseja ja rajoita altistumista.

TUNNE TYÖKALUSI.

Katso sivu 94.

OSAT

1. Takakädensija
2. Liipaisin
3. Johdon kotelo
4. Virtajohto
5. Etukahvan kiinnike
6. Etukädensija
7. Kahvan säätönuppi
8. Ylävarsi
9. Teleskooppikaulus
10. Kääntyvä kaulus
11. Alavarsi
12. Kääntöpainike
13. Suoja
14. Reunuspyörä
15. Kasvisuojain
16. Leikkuusiima
17. Kelan kansi
18. Katkaisuterä
19. Siiman vapautuspainike
20. Aukko
21. Kelansuojuksen lukituspainike
22. Kela

TUOTTEESSA OLEVAT SYMBOLIT



Lue ja ymmärrä kaikki ohjeet ennen tuotteen käyttöä ja noudata kaikkia varoituksia ja turvallisuusohjeita.



Käytä silmäsuojaimia



Käytä kuulosuojaimia.



Älä käytä tuotteessa teriä.



Älä altista konetta sateelle tai kosteudelle.



Jos johto vioittuu tai katkeaa, irrota se heti pistokkeesta ennen sen huoltoa.



Varo sinkoutuneita ja muita lentäviä esineitä.

Pida tarkkailijat turvallisessa etäisyydessä tuotteesta.



Varo sinkoutuneita ja muita lentäviä esineitä. Pidä vierailijat eritoten lapset ja kotieläimet vähintään 15 m etäisyydessä työskentelyalueelta.



Luokan II laite, kaksoiseristetty



Käytöstä poistettavia sähkölaitteita ei pidä hävittää talousjätteiden mukana. Ne on mahdollisuuksien mukaan pantava kiertoon. Kierrätysohjeita antavat kunnan viranomaiset ja vähittäiskauppiat.



CE-vastaavuus



GOST-R-vastaavuus



Taattu äänenteho on 96 dB.

Seuraavat signaalisanat ja merkitykset on tarkoitettu selittämään tähän tuotteeseen liittyviä riskejä.

Symboli	Signaali	Tarkoitus
	VAARA	Ilmaisee välitöntä vaaratilannetta, joka ellei sitä vältetä, johtaa kuolemaan tai vakavaan loukkaantumiseen.
	VAROITUS	Ilmaisee potentiaalisen vaaratilanteen, joka ellei sitä vältetä, johtaa kuolemaan tai vakavaan loukkaantumiseen.
	HUOMAUTUS	Ilmaisee potentiaalisen vaaratilanteen, joka ellei sitä vältetä, saattaa johtaa pienempään tai keskivaikeaan loukkaantumiseen.

HUOMAUTUS

Ilman
turvallisuusvaroitussymbolia
Ilmoittaa tilanteesta, jossa
omaisuutta saattaa vaurioitua.

TÄMÄN KÄSIKIRJAN KUVAKKEET



Kytke pistorasiaan



Irrota pistorasiasta



Osat ja lisävarusteet on hankittava
erikseen



Käytöstä poistettavia sähkölaitteita ei
pidä hävittää talousjätteiden mukana. Ne
on mahdollisuuksien mukaan pantava
kiertoon.



HUOMAUTUS:



VAROITUS

GENERELLE SIKKERHETSADVARSLER

⚠ ADVARSEL

Når produktet brukes må sikkerhetsreglene følges. Les disse instruksjonene før du tar i bruk produktet for din egen sikkerhet og sikkerheten til personer som befinner seg i nærheten. Vennligst ta vare på instruksjonene for fremtidig bruk.

⚠ ADVARSEL

Dette elektriske verktøyet er ikke ment å bli brukt av barn eller personer med nedsatte fysiske, mentale eller sensoriske evner. Barn må ha riktig tilsyn for å sikre at de ikke leker med dette elektriske verktøyet.

⚠ ADVARSEL

Noen regioner har bestemmelser som begrenser bruk av dette produktet. Sjekk hos lokale myndigheter for råd

OPPLÆRING

- Ikke tillat at barn eller personer som ikke er kjent med brukermanualen bruker produktet. Lokale forskrifter kan begrense en alder av operatøren.
- Les instruksjonsmanualen nøye. Bli kjent med alle kontrollene og korrekt bruk av maskinen.
- Hold alle tilskuere (spesielt barn og dyr) minst 15 m vekke fra arbeidsområdet. Stopp maskinen dersom noen går inn på området der maskinen brukes.
- Ikke bruk produktet når du er sliten, syk eller under påvirkning av alkohol, narkotika eller medisiner som kan påvirke reaksjonsevne og dømmekraft.
- Husk at operatøren eller brukeren er ansvarlig for uhell og farer som andre personer og deres eiendom får påført.

ELEKTRISK SIKKERHET

- Støpslet på det elektriske verktøyet må stemme med stikkkontakten. Foreta aldri noen form for endringer av støpslet. Ikke bruk noen form for adapterstøpsler til jordet elektrisk verktøy. Umodifiserte støpsler og passende stikkontakter vil redusere risikoen for elektrisk støt.
- Unngå utilsiktet start. Påse at bryteren alltid er i posisjon OFF før det elektriske støpslet settes inn i stikkkontakten. Ikke bær produktet med fingeren på bryteren dersom det er koblet til strømmen.
- Unngå kroppskontakt med jordede overflater, som vannrør, radiatorer, kokeapparater og kjøleaggregater. Det er økt risiko for elektrisk støt dersom kroppen din har kontakt med jord.
- Ikke utsett produktet for regn eller fuktige forhold. Vann som trenger inn i apparatet vil øke risikoen for elektrisk støt.
- Utstyret må få strøm fra en elektrisk kurs med jordfeilbryter som ikke overstiger 30 mA.
- Før hver bruk skal strømfledningen sjekkes for skader. Hvis det finnes tegn på skade, må ledningen skiftes

ut av et autorisert servicested. Rull alltid ut ledningen under bruk for sammenrullede ledninger kan bli overopphetet.

- Hvis du må bruke en skjøteledning, sjekk at den er ment for utendørs bruk og at den har en strømkapasitet som er tilstrekkelig for å forsyne verktøyet, kontroller før hver bruk for skader og rull ledningen alltid ut under bruk fordi sammenrullede ledninger kan bli overopphetet. Skader på skjøteledninger må ikke repareres med skiftes ut med tilsvarende type ledning.
- Ikke bruk produktet dersom den elektriske kabelen er slitt eller skadet.
- Hvis den elektriske ledningen blir skadet under bruk må støpslet umiddelbart trekkes ut av den elektriske kontakten. Ikke berør den elektriske kabelen før støpslet er trukket ut av den elektriske kontakten.
- Sjekk at ledningen er lagt slik at den ikke kan bli skadet av kuttenheten og at ingen trækker eller snubler i den, eller at ledningen er utsatt for skade eller stress.
- Plukk aldri opp eller bær produktet i den elektriske ledningen.
- Ikke trekk i ledningen for å frigjøre støpslet fra stikkkontakten.
- Hold ledningen vekke fra varme, olje og skarpe kanter.
- Påse at den elektriske spenningen stemmer med ditt produkt. En navneplate på produktet viser enhetens spenning. Tilkoble aldri utstyret til en elektrisk kontakt med en spenning som skiller seg fra produktets.
- Påse at bryteren er i posisjon OFF før støpslet trekkes ut av den elektriske kontakten.

KLARGJØRING

- Ha på deg passende vernebriller og hørselvern når du bruker produktet. Hvis du jobber i områder der det er fare for fallende objekter, må du bruke hjelm.
- Hørselvern kan begrense operatørens evne til å høre varsellyder, vær spesielt oppmerksom på potensielle farer rund og på innsiden av arbeidsområde.
- Bruk tykke langbukser, støvler og hansker. Ikke bruk løstsittende klær, shorts, sandaler, smykker av noe slag eller gå barbert.
- Sørg for at langt hår ikke når lenger ned enn skuldrene for å hindre at det kan fanges opp av roterende deler.
- Før bruk og etter hvert slag, sjekk for skadede deler. En defekt bryter eller annen del som er skadet eller slitt skal repareres adekvat eller skiftes ut av et autorisert serviceverksted.
- Påse at kutteutstyret er satt på riktig og festet godt.
- Du må aldri bruke maskinen hvis ikke alle beskyttelser, deflektorer og håndtak er satt på riktig og trygt.
- Vurder omgivelsene du skal jobbe i. Hold arbeidsområde fri for ledninger, pinner, steiner og annet avfall som kan sprette unna dersom kutteren kommer bort i det.

TRÅDTRIMMER SIKKERHETSADVARSLER

- Ikke tillat at barn eller personer som ikke er kjent med brukermanualen bruker maskinen.
- Bruk produktet i dagslys eller under godt kunstig lys.



- Unngå å bruke på vått gress.
- Sørg for godt fotfeste og god balanse til enhver tid.
- Ikke gå baklengs når du bruker produktet.
- Gå, du må aldri løpe mens du arbeider med maskinen.
- Hold alle tilskuere (spesielt barn og dyr) minst 15 m vekk fra arbeidsområdet.
- Kutteenheten må ikke løftes høyere enn til hofte høyde.
- Bruk aldri produktet med ødelagt skjerming eller uten at skjermingen er montert.
- Du må ikke bruke metalltråd ved skifting av kuttetråd.
- Hold hender og føtter til enhver tid unna kutteenheten, spesielt når du skrur motoren på.
- Vær oppmerksom på at kutteenheten fortsetter å rotere etter at motoren har blitt skrudd av.
- Vær oppmerksom på at kutteenheten kan slenge opp gjenstander. Fjern avfall som småstein, grus og andre fremmedlegemer fra arbeidsområde før du begynner med jobben.
- Slå av og trekk ut støpslet fra den elektriske kontakten før:
 - det utføres servicearbeid
 - etterlater produktet uten tilsyn
 - rense produktet eller rense en blokkering
 - skifte av tilbehør
 - se etter skader dersom verktøyet har truffet en gjenstand
 - se etter skader dersom produktet begynner å vibrere kraftig
 - gjennomfører vedlikehold
- Det lille kuttebladet som sitter på gressbeskyttelsen er ment å kappe ny tråd til riktig lengde for å kunne bruke trimmeren trygt og optimalt. Det er meget skarpt, så ikke ta på det, pass spesielt på når du renser verktøyet.
- Sørg alltid for at avfall ikke tetter ventilasjonspaltene.
- Påse at hodepåsatsen er satt på riktig og festet godt.
- Påse at alle deksler, stropper, avvisere og håndtak er korrekt og trygt montert.
- Du må ikke endre maskinen på noe måte, det kan ellers øke faren for at du skader deg selv eller andre.
- Bruk kun produsentens påfyllingstråd. Ikke bruk andre kuttetillegg.
- Det foreligger rapporter om at vibrasjoner fra håndholdt verktøy for enkelte personer kan bidra til en tilstand som kalles Raynauds Syndrome. Symptomene kan omfatte følelsesløshet og gjøre fingrene bleke, vanligvis synlig ved eksponering til lave temperaturer.
- Arvelige faktorer, eksponering mot lave temperaturer og fuktighet, diett, røyking og arbeidspraksis blir alle ansett for å kunne bidra til å utvikle disse symptomene. Brukeren kan iverksette tiltak for mulig å redusere virkningene av vibrasjonene:
 - Hold kroppen din varm i kaldt vær. Bruk hansker og hold hender og vrister varme ved bruk av gressklipperen. Det er rapportert at kaldt vær er en viktig faktor som bidrar til Raynauds Syndrome.
 - Etter hver arbeidsperiode bør det utføres øvelser for å øke blodsirkulasjonen.

- Ta ofte pauser fra arbeidet som utføres. Begrens mengden av eksponering pr. dag.
- Hvis du opplever noen av symptomene på denne tilstanden må du øyeblikkelig avbryte arbeidet og oppsøke en lege med disse symptomene.

⚠ ADVARSEL

Hvis man bruker verktøyet for lenge av gangen, kan det føre til eller forverre allerede eksisterende personskade. Når du bruker et verktøy over en lenger tidsperiode, husk å ta regelmessige pauser.

TRANSPORT OG LAGRING

- Stans maskinen å la den kjøle ned før lagring eller transport.
- Fjern alle fremmedelementer fra produktet. Lagres på et kjølig, tørt og godt ventilert sted som er utilgjengelig for barn. Hold den borte fra korrosive materialer, så som ugressmidler og veisalt. Ikke oppbevar utendørs.
- Ved lagring må støpslet alltid trekkes ut av kontakten og ledningen kveiles opp.
- Ved transport må du sikre maskinen mot at den flytter seg eller kan falle ned for å hindre personskader eller skader på maskinen.

VEDLIKEHOLD

⚠ ADVARSEL

Bruk kun produsentens originale reservedeler, tilleggsutstyr og påsatsler. Dersom dette ikke følges, kan det forårsake personskader, dårlig funksjon og kan annullere garantien din.

⚠ ADVARSEL

Service krever meget stor forsiktighet og kunnskap og bør utføres kun av kvalifisert teknisk personale. Vi anbefaler at man sender verktøyet tilbake til nærmeste autoriserte servicecenter for reparasjon. Når service utføres skal kun identiske reservedeler brukes.

- Før det gjennomføres noen form for vedlikehold må støpslet trekkes ut av den elektriske kontakten. Påse at bryteren er i posisjon OFF før støpslet trekkes ut av den elektriske kontakten.
- Du kan foreta justeringer og reparasjoner som er beskrevet i denne brukermanualen. For andre reparasjoner, ta kontakt med et autorisert serviceverksted.
- For ny tråd må du kun bruke nylontråd med den diameteren som er oppgitt i spesifikasjonstabellen i denne brukermanualen.
- Etter at du har forlenget kuttetråden, må du alltid først snu produktet til vanlig arbeidsstilling før du starter det.
- Etter hver bruk, rens produktet med en myk tørr klut. Enhver del som er skadet må repareres eller skiftes ut ved et autorisert serviceverksted.



- Kontroller all mutter, bolter og skruer med jevne mellomrom at de er skrudd fast for å sikre at produktet er i driftssikker stand.

TILTENKT BRUK

Denne maskinen er kun ment for utendørs bruk.

Produktet er tiltenkt å kutte gress, smått ugress og annen lignende vegetasjon ved eller nær bakkenivå. Kutteflaten bør være om trent parallell med bakkeoverflaten.

Produktet må ikke brukes til klipping av hekker, busker eller annen vegetasjon der kniven ikke er parallell med bakken.

GJENVÆRENDE RISIKO

Selv om utstyret brukes som beskrevet er det ikke mulig å unngå enhver gjenværende risiko. Følgende faresituasjoner kan oppstå ved bruk, og operatøren må legge spesielt vekt på å unngå følgende:

- Personskade på grunn av vibrasjon. Hold verktøyet i håndtakene og begrenns arbeidstiden og eksponeringen.
- Eksponering for støy kan føre til hørselskader. Bruk hørselvern og begrenns eksponeringen.

KJENN REDSKAPET.

Se side 94.

DELER

1. Bakre håndtak
2. Avtrekker
3. Trådholder
4. Elektrisk ledning
5. Fronthåndtakholder
6. Fremre håndtak
7. Justeringshjul for håndtaket
8. Øvre skaft
9. Teleskopstoppring
10. Roterende stoppring
11. Nedre stang
12. Akseltappknapp
13. Sikkerhetsvern
14. Kanthjul
15. Plantebeskytter
16. Klippesnor
17. Spoledeksel
18. Kappeblad
19. Knapp for snorutløser
20. Øye
21. Låseknapp på spoledeksel
22. Spole

SYMBOLER PÅ PRODUKTET



Les og forstå alle instruksjer før du tar i bruk produktet, følg alle advarsler og sikkerhetsanvisninger.



Bruk øyebeskyttelse



Bruk hørselvern.



Ikke bruk knivblader på produktet.



Ikke utsette for regn eller fuktige forhold.



Fjern øyeblikkelig støpslet fra stikkkontakten dersom ledningen er skadet eller skåret over.



Vær oppmerksom på utkastede eller flygende gjenstander.

Hold tilskuere på trygg avstand fra produktet.



Vær oppmerksom på utkastede eller flygende gjenstander. Hold alle tilskuere (spesielt barn og dyr) minst 15 m vekk fra arbeidsområdet.



Klasse II verktøy, dobbelisolasjon



Avfall fra elektriske produkter skal ikke kastes sammen med husholdningsavfall. Vennligst resirkulere vedeksisterende avfallsbehandlingssted. Undersøk hos dine lokale myndigheter eller forhandler for råd om resirkulering.



CE samsvar



GOST-R samsvar



Garantert lydeffektivnivå er 96 dB.

Følgende symboler og betydninger forklarer risikonivået som er assosiert med dette produktet.

Symbol **Navn** **Forklaring**



FARE

Indikerer en øyeblikkelig farlig situasjon, som, hvis ikke unngås, kan resultere i død eller alvorlig personskade.



ADVARSEL

Indikerer en potensiell farlig situasjon, som, hvis ikke unngås, kan resultere i død eller alvorlig personskade.



FORSIKTIGHETSREGEL

Indikerer en potensiell farlig situasjon, som, hvis ikke unngås, kan resultere i mindre eller moderat personskade.

FORSIKTIGHETSREGEL

Uten sikkerhetsvarselsymbol indikerer en situasjon som kan føre til skade på eiendom.

IKON I DENNE MANUALEN



Tilkoble til strømkontakten



Ta ut av strømkontakten



Deler eller tilbehør solgt separat



Avfall fra elektriske produkter skal ikke kastes sammen med husholdningsavfall. Vennligst resirkulervedeksisterende avfallsbehandlingssted.



MERK:



ADVARSEL

ОБЩИЕ ПРАВИЛА БЕЗОПАСНОСТИ

⚠ ОСТОРОЖНО

При использовании устройства необходимо соблюдать правила техники безопасности. В целях собственной безопасности и безопасности наблюдающих лиц перед использованием устройства прочитайте приведенные в данном руководстве инструкции. Сохраните данные инструкции для последующего использования.

⚠ ОСТОРОЖНО

Данный электроинструмент не предназначен для использования детьми или лицами с ограниченными физическими, психическими или сенсорными возможностями. Не допускайте того, чтобы дети играли с этим электроинструментом.

⚠ ОСТОРОЖНО

В некоторых регионах существуют правила, ограничивающие использование этого продукта. Обращайтесь за информацией в местные органы власти

изделие с вашим пальцем на выключателе.

- Не допускайте контакта частей тела с поверхностями заземленных предметов, таких как трубы, радиаторы отопления, кухонные плиты, холодильники. При соприкосновении частей тела человека с заземленными участками возрастает опасность поражения электрическим током.
- Категорически запрещается использование этого продукта в условиях повышенной влажности. Попадание влаги в устройство может привести к выходу его из строя или поражению электрическим током.
- Электропитание на устройство должно подаваться через устройство защитного отключения (RCD) с силой тока размыкания не более 30 мА.
- Перед каждым использованием проверьте шнур питания на наличие повреждений. В случае обнаружения признаков повреждения он должен быть заменен в авторизованном сервисном центре. Всегда разматывайте шнур питания во время эксплуатации устройства, гибкие кабели могут перегреваться.
- Если необходимо использовать удлинитель, убедитесь, что он подходит для использования вне помещений, и допустимый ток достаточен для питания инструмента, проверяйте его перед каждым использованием на наличие повреждений и обязательно разматывайте его во время эксплуатации устройства, потому что гибкие кабели могут перегреваться. Поврежденные удлинители не подлежат ремонту, их следует заменять аналогичным устройством.
- Не используйте изделие, если его электрический кабель поврежден или изношен.
- Если во время использования произошло повреждение кабеля питания или удлинительного кабеля, незамедлительно отсоедините его от сети питания. Не прикасайтесь к электрическому кабелю, пока он не будет отключен от источника питания.
- Убедитесь, что шнур питания расположен так, что невозможно его порезать, наступить на него, споткнуться об него или повредить каким-либо иным способом.
- Запрещается тянуть за кабель питания для поднятия или перемещения изделия.
- Запрещается тянуть за кабель питания, чтобы отключить его от сети.
- Не раскладываете кабель питания вблизи источников тепла, емкостей с маслом и острых предметов.
- Убедитесь в том, что напряжение сети соответствует номинальному напряжению изделия. В паспортной табличке устройства указано его номинальное напряжение. Запрещается подключать устройство к сети переменного тока, напряжение которой отличается от указанного.
- Перед отключением устройства от сети питания убедитесь, что выключатель находится в выключенном положении.

ОБУЧЕНИЕ

- Не допускайте к работе с данным устройством детей и лиц, незнакомых с инструкциями по использованию изделия. Местные инструкции могут ограничить возраст оператора.
- Внимательно прочтите данные инструкции. Ознакомьтесь со всеми органами управления и правилами использования инструмента.
- Не подпускайте посторонних лиц, особенно детей и домашних животных, ближе чем на 15 метров к месту проведения работ. Остановите устройство, если кто-либо появится в рабочей зоне.
- Запрещается работать с изделием в случае усталости, болезни или под воздействием алкоголя, наркотиков или медикаментов.
- Иметь в виду, что оператор или пользователь ответственны за несчастные случаи или опасности, встречающиеся другим людям или их собственности.

ЭЛЕКТРОБЕЗОПАСНОСТЬ

- Вилка кабеля питания инструмента должна соответствовать используемой розетке. Не подвергайте вилку кабеля каким-либо изменениям. Не используйте какие-либо переходники с электроинструментами с заземляющим проводом. Использование оригинальных штепсельных вилок и соответствующих розеток предотвращает опасность поражения электрическим током.
- Избегайте неумышленного старта. Перед подключением устройства к источнику питания убедитесь в том, что выключатель находится в положении выключения. Не несите включенное



ПОДГОТОВКА

- Используйте надежные приспособления для защиты глаз и органов слуха при работе с продуктом. При работе в зоне, где есть риск падения предметов, необходимо носить защитную каску.
- Средства защиты органов слуха могут ограничить операторам способность слышать предупреждающие сигналы или обратить особое внимание на потенциальные опасности вокруг и внутри рабочей зоны.
- Надевайте длинные плотные брюки, ботинки и перчатки. Не надевайте свободную одежду, шорты, украшения любого вида, не работайте босиком.
- Чтобы избежать наматывания волос на вращающиеся детали, закрепите длинные волосы таким образом, чтобы они не свисали ниже плеч.
- Перед использованием устройства или после него убедитесь, что в нем нет поврежденных деталей. Для ремонта или замены неисправного переключателя или любой иной детали следует обращаться в авторизованный сервисный центр.
- Убедитесь, что режущая насадка правильно установлена и надежно закреплена.
- Никогда не работайте с устройством, если не все защитные приспособления, отражатели и ручки правильно и надежно закреплены.
- Рассмотрите окружающую среду, в которой Вы работаете. Держите рабочее место свободным от проводов, палок, камней и мусора, которые при столкновении с режущим устройством могут вылететь с большой скоростью.

ПРЕДОСТЕРЕЖЕНИЯ ОТНОСИТЕЛЬНО БЕЗОПАСНОГО ИСПОЛЬЗОВАНИЯ СТРУННОГО ТРИММЕРА

- Не допускайте к работе с данным устройством детей и лиц, незнакомых с инструкциями по использованию устройства.
- Используйте изделие при дневном свете или хорошем искусственном освещении.
- Не используйте устройство для стрижки влажной травы.
- Старайтесь сохранять устойчивость и подыскивайте твердую опору.
- Запрещается пятиться при эксплуатации продукта.
- Передвигайтесь шагом, не бегайте.
- Не подпускайте посторонних лиц, особенно детей и домашних животных, ближе чем на 15 метров к месту проведения работ.
- Не поднимайте режущую насадку выше пояса.
- Запрещается использовать изделие, если защитные устройства повреждены или вообще не установлены.
- Никогда не закрепляйте металлическую линию замены.
- Держите руки и ноги далеко от режущих средств во всех случаях и особенно при включении двигателя.
- Осторожно! Режущие элементы продолжают вращаться после отключения двигателя.
- Остерегайтесь объектов, выбрасываемых режущими приспособлениями. Удалите мусор, такой как мелкие камни, гравий и другие посторонние предметы, из рабочей зоны до начала работы.
- Перед выполнением следующих операций отключите устройство и отсоедините его от сети питания:
 - обслуживание
 - Оставление изделия без присмотра
 - очистка продукта или устранение забивания
 - Замена принадлежностей
 - Проверка на наличие повреждений после столкновения с предметами
 - Проверка на наличие повреждений, если изделие начнет необычно вибрировать
 - Выполнение технического обслуживания
- Небольшое лезвие, установленное под защитным приспособлением, предназначено для подрезания новой удлинненной струной до нужной длины в целях обеспечения безопасной и оптимальной производительности. Оно очень острое, не прикасайтесь к нему, особенно при очистке инструмента.
- Всегда проверяйте устройство на отсутствие грязи в вентиляционных отверстиях.
- Убедитесь, что сменная головка правильно установлена и надежно закреплена.
- Проверьте правильность установки и надежность крепления всех защитных устройств, отражателей и ручек.
- Не вносите никаких изменений в конструкцию устройства, это может повысить риск получения травмы.
- Для замены режущей струны используйте только оригинальные струны от производителя. Использование других режущих насадок не допускается.
- Считается, что вибрация ручного инструмента может привести к проявлению у отдельных лиц так называемой болезни Рейно (Raynaud's Syndrome). К симптомам могут относиться покалывание, онемение и побеление пальцев (как при переохлаждении).
- Считают, что наследственные факторы, охлаждение и влажность, диета, курение и практический опыт способствуют развитию этих симптомов. Ниже приводятся меры, которые может принять оператор для снижения воздействия вибрации:
 - Одевайтесь теплее в холодную погоду. При работе с устройством пользуйтесь перчатками, чтобы руки и запястья были в тепле. Считается, что холодная погода является основным фактором, способствующим возникновению болезни Рейно (Raynaud's Syndrome).
 - После каждого этапа работы выполните упражнение для усиления кровообращения.
 - Чаще делайте перерывы в работе. Сократите длительность ежедневного пребывания на открытом воздухе.



- При появлении каких-либо из указанных симптомов сразу же прекратите работу и обратитесь по их поводу к врачу.

⚠ ОСТОРОЖНО

Слишком продолжительное использование инструмента может привести к травме. При использовании инструмента в течение длительного времени делайте регулярные перерывы.

ТРАНСПОРТИРОВКА И ХРАНЕНИЕ

- Остановите устройство и дайте ему остыть перед постановкой на хранение или транспортировкой.
- Очистите устройство от всех посторонних материалов. Храните его в прохладном, сухом, хорошо проветриваемом и недоступном для детей месте. Не держите бензопилу рядом с коррозионными веществами, такими как садовые химикаты или размораживающая соль. Не храните на открытом воздухе.
- При хранении устройства всегда отключайте его от сети питания и сматывайте его кабель.
- Перед транспортировкой закрепите устройство, чтобы не допустить его перемещения или падения в целях обеспечения безопасности персонала или устройства.

ТЕХНИЧЕСКОЕ ОБСЛУЖИВАНИЕ

⚠ ОСТОРОЖНО

Используйте только оригинальные запчасти, аксессуары и насадки от производителя. Невыполнение этого требования может привести к травме, к снижению производительности и к аннулированию гарантии.

⚠ ОСТОРОЖНО

Обслуживание требует чрезвычайной заботы и знания и должно быть выполнено только квалифицированным техником обслуживания. Для обслуживания мы предлагаем, чтобы вы возвратили изделие вашему самому близкому уполномоченному центру обслуживания для ремонта. При обслуживании использовать только идентичные сменные части.

- Перед проведением каких-либо операций по техническому обслуживанию, отключите питание, вынув вилку кабеля питания из сетевой розетки. Перед отключением устройства от сети питания убедитесь, что выключатель находится в выключенном положении.
- Вы можете также выполнить другие виды регулировки и ремонтные работы, описанные в данном руководстве. По вопросу ремонта обращайтесь в авторизованный сервисный центр.

- Для замены струны используйте только нейлоновую струну диаметром, указанным в таблице технических характеристик данного руководства.
- После удлинения режущей струны всегда возвращайте устройство в обычное рабочее положение перед запуском.
- После каждого использования протирайте изделие мягкой сухой тканью. В случае повреждения какой-либо детали необходимо обратиться в авторизованный сервисный центр для выполнения надлежащего ремонта или замены.
- Проверить все болты, задвижки, и винты, через короткие интервалы, на надлежащую плотность, чтобы убедиться, что изделие находится в безопасном, рабочем состоянии.

НАЗНАЧЕНИЕ

Данное изделие предназначено только для работы вне помещений.

Продукт предназначен для скашивания травы, небольших сорняков и другой подобной растительности на уровне земли или около него. Плоскость скашивания должна быть приблизительно параллельной поверхности земли.

Данное устройство не должно использоваться для обрезки или подравнивания живой изгороди, кустов или другой растительности, при работе с которой плоскость резания не параллельна поверхности земли.

БУДЬТЕ ВСЕГДА ОСТОРОЖНЫ

Даже при использовании данного инструмента строго по назначению, невозможно полностью исключить отдельные факторы риска. При эксплуатации могут возникнуть следующие ситуации, которым пользователь должен уделять особое внимание, чтобы избежать проблем:

- Травмы, вызываемые вибрацией. Держите инструмент за предназначенные для этого ручки и не эксплуатируйте его без перерыва в течение слишком долгого времени.
- Воздействие шума может привести к повреждению слуха. Носите устройства защиты слуха и ограничивайте продолжительность шумового воздействия

ОВЛАДЕЙТЕ СВОИМ ИНСТРУМЕНТОМ.

См. стр. 94.

ДЕТАЛИ

1. Задняя ручка
2. Курковый выключатель
3. Фиксатор шнура
4. Кабель питания
5. Держатель передней ручки
6. Передняя ручка
7. Головка регулировки ручки
8. Верхний шток
9. Телескопическое кольцо
10. Поворотное кольцо

11. Нижний вал
12. Поворотная кнопка
13. Защитное приспособление
14. Кромкообрезной диск
15. Устройство защиты растений
16. Режущая струна
17. Крышка шпильки
18. Лезвие для отрезания струны
19. Кнопка освобождения струны
20. Отверстие
21. Кнопка фиксации крышки шпильки
22. Шпилька

УСЛОВНЫЕ ОБОЗНАЧЕНИЯ НА ПРОДУКТЕ



Внимательно прочитайте все инструкции перед началом работы с продуктом, соблюдайте все предупреждения и инструкции по безопасности.



Используйте средства защиты органов зрения



Носите устройства защиты слуха.



Не используйте лезвия продукта.



Не подвергайте инструмент воздействию дождя и не используйте в условиях повышенной влажности.



При повреждении или порезе кабеля питания или перед техническим обслуживанием отключите кабель питания от сетевой розетки.



Помните об опасности, которую представляют собой отбрасываемые устройством или вылетающие из-под него предметы.

Держите наблюдателей на безопасном расстоянии далеко от изделия.



Помните об опасности, которую представляют собой отбрасываемые устройством или вылетающие из-под него предметы. Не подпускайте посторонних лиц, особенно детей и домашних животных, ближе чем на 15 метров к месту проведения работ.



Инструмент класса II, двойная изоляция



Отработанная электротехническая продукция должна уничтожаться вместе с бытовыми отходами. Утилизируйте, если имеется специальное техническое оборудование. По вопросам утилизации проконсультируйтесь с местным органом власти или предприятием розничной торговли.



Соответствие требованиям CE



Соответствие требованиям GOST-R



Гарантируемый уровень звуковой мощности составляет 96 дБ.

Следующие сигнальные слова и значения предназначены, чтобы объяснить уровни риска, связанного с этим изделием.

Символ	Сигнал	Значение
	ОПАСНО	Указывает неизбежно опасную ситуацию, которая, если не избежать, кончится смертельным или серьезным ущербом.
	ОСТОРОЖНО	Указывает потенциально опасную ситуацию, которая, если не избежать, может кончиться смертельным или серьезным ущербом.
	ПРЕДОСТЕРЕЖЕНИЕ	Указывает потенциально опасную ситуацию, которая, если не избежать, может кончиться малым или уменьшенным ущербом.
	ПРЕДОСТЕРЕЖЕНИЕ	Употребляется без предупреждающего знака. Указывает на ситуацию, которая может привести к повреждению имущества.

ОБОЗНАЧЕНИЯ, ИСПОЛЬЗУЕМЫЕ В ДАННОМ РУКОВОДСТВЕ



Подключение к сетевой розетке



Отсоединение от сетевой розетки



Детали или принадлежности, приобретаемые отдельно



Отработанная электротехническая продукция должна уничтожаться вместе с бытовыми отходами. Утилизируйте, если имеется специальное техническое оборудование.



ПРИМЕЧАНИЕ:



ОСТОРОЖНО

OGÓLNE OSTRZEŻENIA DOTYCZĄCE

⚠ OSTRZEŻENIE

Podczas używania tego urządzenia należy przestrzegać odpowiednich zasad bezpieczeństwa. Aby zapewnić bezpieczeństwo sobie i osobom postronnym, przed przystąpieniem do użytkowania urządzenia należy zapoznać się z niniejszą instrukcją. Niniejszą instrukcję należy przechowywać w bezpiecznym miejscu do późniejszego użytku.

⚠ OSTRZEŻENIE

To elektronarzędzie nie jest przeznaczone do użytkowania przez dzieci lub osoby o ograniczonych zdolnościach fizycznych, umysłowych lub sensorycznych. Należy dopilnować, aby dzieci nie bawiły się elektronarzędziem.

⚠ OSTRZEŻENIE

W niektórych regionach obowiązują przepisy ograniczające używanie produktu. Informacje na ten temat można uzyskać w lokalnych urzędach

SZKOLENIE

- Nie wolno zezwalać ani dzieciom, ani osobom dorosłym nie zaznajomionym z tym podręcznikiem na obsługę tego produktu. Przepisy lokalne mogą ograniczać dopuszczalny wiek operatora.
- Przeczytać uważnie wszystkie instrukcje. Zapoznać się z wszystkimi elementami sterowania i właściwym sposobem obsługi urządzenia.
- Trzymać wszystkie osoby postronne, szczególnie dzieci i zwierzęta, w odległości przynajmniej 15 m od miejsca pracy. Zatrzymać urządzenie w przypadku wtargnięcia dowolnej osoby w obszar roboczy.
- Nie wolno obsługiwać produktu w stanie zmęczenia, choroby, będąc pod wpływem alkoholu, środków odurzających lub lekarstw.
- Należy pamiętać, że operator lub użytkownik jest odpowiedzialny za spowodowanie wypadku lub zagrożenia bezpieczeństwa osób i mienia.

ZASADY BEZPIECZEŃSTWA DOTYCZĄCE OBSŁUGI URZĄDZEŃ ELEKTRYCZNYCH

- Wtyczki zasilania elektronarzędzi muszą pasować do gniazd sieciowych. Nie wolno modyfikować wtyczek w żaden sposób. Nie wolno używać żadnych przejściówek do podłączania urządzeń posiadających przewód zasilania z uziemieniem. Stosowanie oryginalnych wtyczek i dopasowanych gniazd sieciowych zmniejsza ryzyko porażenia prądem.
- Unikać możliwości przypadkowego uruchomienia urządzenia. Przed podłączeniem urządzenia do zasilania należy sprawdzić, czy przełącznik znajduje się w położeniu Off (Wył.). Nie wolno przenosić

podłączonego do prądu produktu, trzymając palec na wyłączniku.

- Unikać kontaktu ciała z powierzchniami uziemionymi lub podłączonymi do bieguny zerowego, np. rury, instalacje grzewcze i chłodnicze. Kontakt ciała z masą lub uziemieniem zwiększa ryzyko porażenia prądem.
- Nie narażać tego produktu na działanie deszczu lub wody. Woda dostająca się do urządzenia stwarza zagrożenie porażenia prądem.
- Urządzenie powinno być zasilane przez wyłącznik różnicowo-prądowy (RCD), o prądzie zadziałania nie większym niż 30 mA.
- Przed każdym użyciem należy sprawdzić, czy przewód zasilający nie jest uszkodzony. W przypadku stwierdzenia oznak uszkodzenia, należy oddać urządzenie do naprawy do autoryzowanego punktu serwisowego. Zawsze należy rozwijać zwinięty przewód zasilający podczas użycia, ponieważ zwinięte przewody mogą się przegrzać.
- Jeśli konieczne jest użycie przedłużacza, należy upewnić się, że nadaje się on do stosowania na zewnątrz pomieszczeń oraz że ma parametry (moc podłączonych urządzeń) umożliwiające podłączenie danego urządzenia. Przed każdym użyciem należy sprawdzić, czy przedłużacz nie jest uszkodzony i zawsze należy odwijać przewód podczas użycia, ponieważ zwinięte przewody mogą się przegrzewać. Nie wolno naprawiać uszkodzonych przedłużaczy. Należy wymienić je na produkt o takich samych parametrach.
- Nie używać produktu w przypadku uszkodzenia lub zużycia przewodu zasilającego.
- W przypadku, gdy podczas pracy dojdzie do uszkodzenia przewodu zasilającego lub przedłużacza, urządzenie należy niezwłocznie odłączyć od zasilania. Nie dotykać przewodów elektrycznych dopóki urządzenie jest podłączone do zasilania.
- Należy upewnić się, że przewód zasilający jest umieszczony w taki sposób, że nie można go uszkodzić poprzez przecięcie, nie zostanie nadepięty, zaczepony lub uszkodzony lub narażony w inny sposób.
- Nie podnosić ani nie przenosić produktu za przewód elektryczny.
- Nie ciągnąć za przewód zasilania w celu wyjęcia wtyczki z gniazda.
- Przewód zasilania trzymać z dala od źródeł ciepła, oleju i ostrych krawędzi.
- Upewnić się, że napięcie zasilania jest odpowiednie dla tego produktu. Napięcie zasilania tego produktu podano na tabliczce znamionowej. Nie podłączać urządzenia do zasilania prądem AC o napięciu innym niż znamionowe.
- Upewnić się, że przełącznik znajduje się w położeniu Off (Wył.) przed odłączeniem urządzenia od zasilania.

PRZYGOTOWANIE

- Należy nosić pełne zabezpieczenie oczu i uszu podczas obsługi produktu. W przypadku pracy w miejscu, gdzie występuje ryzyko spadających przedmiotów, należy

nosić kask.

- Środki ochrony słuchu mogą ograniczyć zdolność operatora do usłyszenia dźwięków ostrzegawczych. W związku z tym należy zachować szczególną ostrożność na miejscu pracy oraz w jego pobliżu.
- Należy zakładać grube, długie spodnie, wysokie buty i rękawice. Nie zakładać luźnej odzieży, krótkich spodni, sandałów, biżuterii dowolnego typu ani pracować boso.
- Długie włosy należy zabezpieczyć w taki sposób, aby znajdowały się powyżej poziomu ramion, co pozwoli uniknąć ryzyka ich zaplątania w ruchome elementy urządzenia.
- Przed użyciem oraz po jakimkolwiek uderzeniu należy sprawdzić, czy żadna część nie jest uszkodzona. Uszkodzony przełącznik lub inna uszkodzona lub zużyta część muszą być odpowiednio naprawione lub wymienione przez autoryzowany punkt serwisowy.
- Należy upewnić się, że głowica tnąca jest prawidłowo zainstalowana i dobrze zamocowana.
- Nigdy nie wolno używać maszyny, jeśli jakkolwiek osłona, deflektor lub uchwyt nie są prawidłowo i dobrze zamocowane.
- Należy uwzględnić warunki otoczenia, w którym mają być wykonywane prace. Na miejscu pracy nie mogą znajdować się druty, przewody, patyki, kamienie ani gruz, ponieważ w przypadku uderzenia przez nóż mogą zostać odrzucone.

OSTRZEŻENIA DOTYCZĄCE BEZPIECZNEJ OBSŁUGI PODKASZARKI

- Nie wolno zezwalać ani dzieciom, ani osobom dorosłym nie zaznajomionym z tym podręcznikiem na obsługę tego urządzenia.
- Produkt należy używać przy świetle dziennym lub przy dobrym oświetleniu sztucznym.
- Unikać używania urządzenia do mokrej trawy.
- Należy cały czas pewnie opierać stopy i utrzymywać równowagę.
- Podczas używania produktu nie należy chodzić do tyłu.
- Podczas pracy należy chodzić, nie wolno biegać.
- Trzymać wszystkie osoby postronne, szczególnie dzieci i zwierzęta, w odległości przynajmniej 15 m od miejsca pracy.
- Głowica tnąca musi znajdować się poniżej linii pasa.
- Nie używać produktu z uszkodzonymi osłonami lub bez założonych osłon.
- Nie wolno zastępować żyłki linką metalową.
- Trzymać dłonie i stopy z dala od elementów tnących przez cały czas pracy, a szczególnie podczas uruchamiania silnika.
- Uwaga: ostrza nadal obracają się po wyłączeniu silnika.
- Należy zwrócić uwagę na obiekty odrzucane przez elementy tnące. Przed rozpoczęciem pracy należy usunąć małe kamienie, gruz oraz inne obce obiekty z miejsca pracy.
- Wyłączyć zasilanie i wyjąć wtyczkę z gniazda sieciowego przed następującymi czynnościami:
 - serwisowanie

- pozostawianie produktu bez nadzoru
- czyszczenie produktu lub usuwanie zablokowanego obiektu
- wymiana akcesoriów
- kontrola uszkodzeń po uderzeniu obiektu
- kontrola uszkodzeń w przypadku, gdy produkt wpada w nietypowe drgania
- konserwacja
- Małe ostrze zamocowane na osłonie do koszenia umożliwia docinanie świeżo rozwiniętej żyłki na odpowiedniej długości w celu zapewnienia optymalnej pracy. Jest ono bardzo ostre. Nie należy dotykać go szczególnie podczas czyszczenia narzędzia.
- Otwory wentylacyjne należy utrzymywać w stanie wolnym od zanieczyszczeń.
- Należy upewnić się, że głowica jest prawidłowo zainstalowana i dobrze zamocowana.
- Upewnić się, że wszystkie elementy zabezpieczające, osłony i uchwyty są prawidłowo i bezpiecznie zamocowane.
- Nie należy w żaden sposób modyfikować urządzenia. Może to spowodować większe ryzyko obrażeń ciała operatora lub innych osób.
- Należy stosować wyłącznie żyłkę tnącą producenta. Nie używaj żadnych innych akcesoriów tnących.
- Badania dowodzą, że wibracje powodowane przez narzędzia ręczne mogą wywoływać u niektórych osób objawy syndromu Raynauda. Typowe objawy to mrowienie, drętwienie i blednięcie palców, widoczne zwykle po wystawieniu na działanie zimna.
- Uważa się, że czynniki dziedziczne, wystawienie na działanie zimna i wilgoci, dieta, palenie papierosów i przyjęte zwyczaje przyczyniają się do rozwoju tych objawów. Istnieją środki zaradcze, które może podjąć operator narzędzia, aby zmniejszyć efekt wibracji:
 - Zadbaj w niskich temperaturach o ciepłość własnego ciała, zakładając odpowiednie ubranie. Podczas obsługi urządzenia należy nosić rękawice, aby dłonie i nadgarstki były ciepłe. Wiadomo, że niskie temperatury są główną przyczyną powstawania objawu Raynauda.
 - Podczas przerw w pracy należy wykonywać ćwiczenia poprawiające krążenie krwi.
 - Podczas pracy robić częste przerwy. Ograniczyć ekspozycję w ciągu dnia.
- W razie doświadczenia dowolnego z wymienionych objawów, należy niezwłocznie zaprzestać użytkowania tego urządzenia i skontaktować się z lekarzem.

⚠ OSTRZEŻENIE

Długotrwałe użytkowanie narzędzia może spowodować obrażenia ciała lub nasilić dolegliwości zdrowotne. W przypadku używania narzędzia przed dłuższy czas należy pamiętać o regularnych przerwach.

TRANSPORT I PRZECHOWYWANIE

- Przed schowaniem lub transportem urządzenia należy zatrzymać je i odczekać, aż ostygnie.
- Usunąć z produktu wszelkie zanieczyszczenia. Należy przechowywać urządzenie w chłodnym, suchym i dobrze wentylowanym miejscu, które jest niedostępne dla dzieci. Nie chowajcie jej w pobliżu czynników żrących, takich jak ogrodowe produkty chemiczne czy sole odmrażające. Nie przechowywać na zewnątrz.
- Przed odłożeniem urządzenia w miejsce przechowywania, należy je odłączyć od zasilania i zwinąć przewód zasilający.
- W przypadku transportu urządzenia należy zabezpieczyć je przed przemieszczaniem się lub upadkiem, aby nie dopuścić do obrażeń ciała lub uszkodzenia urządzenia.

KONSERWACJA

⚠ OSTRZEŻENIE

Należy stosować wyłącznie oryginalne części zamienne, akcesoria oraz przystawki producenta. W przeciwnym razie może dojść do obrażeń ciała, niskiej wydajności oraz do unieważnienia gwarancji.

⚠ OSTRZEŻENIE

Serwisowanie wymaga wyjątkowej staranności i wiedzy. Może być wykonywane wyłącznie przez wykwalifikowany personel serwisowy. W celu naprawy zaleca si odda kosiarkę do najbliższego autoryzowanego punktu serwisowego. Do napraw używać wyłącznie identycznych zamienników.

- Przed przystąpieniem do wykonywania jakichkolwiek czynności konserwacyjnych należy odciąć zasilanie elektryczne wyjmując wtyczkę z gniazda zasilania. Upewnić się, że przełącznik znajduje się w położeniu Off (Wyl.) przed odłączeniem urządzenia od zasilania.
- Możesz wykonywać czynności regulacyjne i naprawcze opisane w tej instrukcji obsługi. W przypadku innych napraw należy skontaktować się autoryzowanym punktem serwisowym.
- Do wymiany należy stosować wyłącznie nylonowej ciągłej żyłki o średnicy podanej w tabeli specyfikacji w tej instrukcji.
- Po wyciągnięciu nowej żyłki tnącej, zawsze przed włączeniem urządzenia należy ustawić je w normalnym położeniu roboczym.
- Po każdym użyciu należy wyczyścić produkt miękką, suchą szmatką. Każdą uszkodzoną część należy odpowiednio naprawić lub wymienić w autoryzowanym punkcie serwisowym.
- Systematycznie sprawdzać, czy wszystkie nakrętki, wkręty i śruby są dobrze dokręcone, aby upewnić się, że produkt jest w bezpiecznym stanie.

PRZEZNACZENIE

Urządzenie jest przeznaczone wyłącznie do użytku na zewnątrz pomieszczeń.

Produkt jest przeznaczony do cięcia trawy, lekkich chwastów oraz wszelkich podobnych roślin na poziomej ziemi. Płaszczyna cięcia powinna być jak najbardziej równoległa do powierzchni gruntu.

Urządzenia nie należy używać do docinania żywopłotów, krzewów lub innych roślin w przypadkach, gdy płaszczyna koszenia nie jest równoległa do płaszczyny gruntu.

RYZYKO ZWIĄZANE Z UŻYTKOWANIEM:

- Nawet jeśli urządzenie jest używane zgodnie z zaleceniami, nadal nie jest możliwe wyeliminowanie określonych czynników ryzyka. Następujące zagrożenia mogą wystąpić podczas używania urządzenia i operator powinien zwracać szczególną uwagę na poniższe punkty:
- Urazy ciała spowodowane przez wibracje. Należy trzymać urządzenie za odpowiednie uchwyty oraz stosować się do zaleceń dotyczących czasu pracy i narażenia.
 - Narażenie na hałas może spowodować utratę słuchu. Należy nosić środki ochrony uszu oraz ograniczyć poziom narażenia

ZAPOZNAJCIE SIĘ Z WASZĄ PIŁĄ ŁAŃCUCHOWĄ.

Patrz str. 94.

CZĘŚCI

1. Uchwyt tylny
2. Przycisk uruchamiający
3. Uchwyt przewodu
4. Przewód zasilania
5. Osłona przedniego uchwytu
6. Uchwyt przedni
7. Pokrętko regulacji rękojeści
8. Górny wał
9. Kołnierz teleskopowy
10. Kołnierz obrotowy
11. Dolny wałek
12. Przycisk pochylenia
13. Osłona zabezpieczająca
14. Kółko do wyrównywania krawędzi
15. Pałak zabezpieczający rośliny
16. Linia cięcia
17. Osłona szpuli
18. Ostrze do przycinania żyłki
19. Przycisk zwolnienia żyłki
20. Przelotka
21. Przycisk blokady osłony szpuli
22. Szpula

SYMBOLE PRODUKTU

	Należy przeczytać i zrozumieć wszystkie instrukcje przed rozpoczęciem obsługi produktu oraz przestrzegać wszystkich ostrzeżeń i instrukcji dotyczących bezpieczeństwa.
	Zakładać środki ochrony wzroku
	Należy stosować środki ochrony słuchu.
	Nie należy używać ostrzy na produkcie.
	Nie wystawiać urządzenia na działanie deszczu ani nie używać w miejscach o dużej wilgotności.
	W przypadku stwierdzenia uszkodzenia przewodu zasilania i przed rozpoczęciem czynności konserwacyjnych niezwłocznie wyjąć wtyczkę z gniazda zasilania
	Uwaga na odrzucane przedmioty. Osoby postronne należy utrzymywać w bezpiecznej odległości od produktu.
	Uwaga na odrzucane przedmioty. Trzymać wszystkie osoby postronne, szczególnie dzieci i zwierzęta, w odległości przynajmniej 15 m od miejsca pracy.
	Narzędzie klasy II, podwójna izolacja
	Zużyte produkty elektryczne nie powinny być utylizowane z odpadami domowymi. Prosimy poddawać recyklingowi w odpowiednich miejscach. Informacje o właściwych metodach recyklingu można uzyskać u władz lokalnych lub sprzedawcy.
	Zgodność CE
	Zgodność GOST-R
	Maksymalny poziom natężenia hałasu wynosi 96 dB.

Symbol	Nazwa	Znaczenie
	NIEBEZPIECZEŃSTWO	Wskazuje na realne zagrożenie, które może spowodować śmierć lub poważne zranienie, jeżeli się nie uniknie tego niebezpieczeństwa.
	OSTRZEŻENIE	Wskazuje na potencjalne zagrożenie, które może spowodować śmierć lub poważne zranienie, jeżeli się nie uniknie tego niebezpieczeństwa.
	UWAGA	Wskazuje na potencjalne zagrożenie, które może spowodować mniejsze lub bardziej poważne zranienie, jeżeli się nie uniknie tego niebezpieczeństwa.
	UWAGA	Bez symbolu ostrzeżenia Sytuacja, która może grozić uszkodzeniem mienia.

IKONY UŻYWANE W TYM PODRĘCZNIKU

	Podłączyć do gniazda zasilania
	Odłączyć z gniazda zasilania
	Części lub akcesoria sprzedawane oddzielnie
	Zużyte produkty elektryczne nie powinny być utylizowane z odpadami domowymi. Prosimy poddawać recyklingowi w odpowiednich miejscach.
	OBJAŚNIENIE:
	OSTRZEŻENIE

Poniższe symbole i nazwy które im nadano, pozwalają wyjaśnić różne poziomy ryzyka związanego z użytkowaniem tego narzędzia.

VŠEOBECNÁ BEZPEČNOSTNÍ VAROVÁNÍ

⚠ UPOZORNĚNÍ

Při používání výrobku musí být dodrženy bezpečnostní předpisy. Pro vaši vlastní bezpečnost i bezpečnost kolemjdoucích si přečtete tento návod k obsluze. Tyto pokyny uschovejte pro příští použití.

⚠ UPOZORNĚNÍ

Tento elektrický nástroj není určen pro používání osobami, včetně dětí, pokud jsou jejich fyzické, pohybové nebo mentální schopnosti sníženy. Dohlédněte, aby si děti s elektrickým nástrojem nehrály.

⚠ UPOZORNĚNÍ

Místní předpisy mohou omezovat použití výrobku. Ověřte si u svého orgánu místní správy toto nařízení

ZAŠKOLENÍ

- Nenechteje děti nebo osoby neseznámené s těmito pokyny pracovat s výrobkem. Místní předpisy mohou omezovat dobu obsluhy.
- Návod si pečlivě přečtete. Seznamte se všemi ovládaními a řádným používáním přístroje.
- Všechny přihlížející, zvláště děti a zvířata udržujte ve vzdálenosti alespoň 15 m od pracovní oblasti. Zastavte přístroj, pokud někdo vstoupí do pracovního prostoru.
- Výrobek nepoužívejte, pokud jste unavení, nemocní nebo pod vlivem drog, alkoholu či léků.
- Uživatel nebo obsluha tohoto zahradnického nástroje je zodpovědná za nehody nebo nebezpečí způsobená na jiné osobě nebo jejich majetku.

ELEKTRICKÁ BEZPEČNOST

- Zástrčky elektricky poháněného nástroje musí být shodné s elektrickou zásuvkou. Nepokoušejte se zástrčku jakýmkoliv způsobem upravovat. Nepoužívejte žádný adaptér zástrček se zemněným (uzemněným) elektricky poháněným nástrojem. Neupravené zástrčky a shodné zásuvky snižují nebezpečí elektrického úrazu.
- Zabraňte náhodnému spuštění. Před zapojením zařízení do sítě vždy zkontrolujte, zda je vypínač v poloze Off (Vyp.). Nenoste zapojených výrobek s prstem na spínači.
- Předcházejte tělesnému kontaktu s uzemněnými nebo zemněnými povrchy, například trubkami, radiátory, sporáky a lednicemi. Je zde zvýšené nebezpečí zásahu elektrickým proudem, pokud je vaše tělo zemněno nebo uzemněno.
- Nevystavujte tento přístroj dešti nebo vlhkým podmínkám. Voda vnikající do zařízení zvyšuje nebezpečí elektrického úrazu.
- Elektrické zařízení musí být napájeno přes proudový chránič s reziduálním proudem nepřesahujícím 30 mA.
- Před každým použitím zkontrolujte napájecí kabel na poškození. Pokud jeví známky poškození, je nutné

jej vyměnit v pověřeném servisním středisku. Během používání kabel plně rozviňte, smotaný kabel se může přehřívat.

- Používejte pouze prodlužovací kabel vhodný pro venkovní práce, pracujete-li venku a musí mít dostatečnou proudovou kapacitu pro napájení vašeho nástroje, před každým použitím zkontrolujte napájecí kabel na poškození, během používání kabel vždy plně rozviňte, smotaný kabel se může přehřívat. Poškozené napájecí kabely se nesmí opravovat, vždy vyměňte za stejný typ.
- Výrobek nepoužívejte, pokud jsou elektrické kabely poškozené nebo opotřebované.
- Dojde-li během používání k poškození napájecího nebo prodlužovacího kabelu, zařízení odpojte ihned od elektrické sítě. Nedotýkejte se elektrických kabelů, dokud není napájecí kabel odpojen od sítě.
- Ujistěte se, zda je kabel umístěn tak, aby se nepoškodit, tedy aby se po něm nešlapalo, neklopýtalo se o něj a aby nebyl jiným způsobem vystaven možnému poškození či namáhání.
- Nikdy výrobek nezvedejte ani nepřeháňejte uchopením za elektrický kabel.
- Nikdy netahejte za napájecí kabel, chcete-li jej odpojit od elektrické sítě.
- Dávejte pozor, aby se napájecí kabel nedostal do kontaktu s horkem, olejem nebo ostrými hranami.
- Zkontrolujte, zda je napětí napájecí soustavy vhodné pro výrobek. Štítek s názvem produktu udává pracovní napětí zařízení. Nikdy nepřipojujte produkt ke střídavému napětí, které se liší od tohoto napětí.
- Před odpojením od napájení se ujistěte, že je vypínač v poloze Off (Vyp.).

PŘÍPRAVA

- Při práci s výrobkem používejte kompletní ochranu zraku a sluchu. Noste ochrannou helmu, kde hrozí nebezpečí pádu předmětů.
- ochrana sluchu může zabraňovat obsluze slyšet varovné zvuky, buďte tedy opatrní – okolo a v pracovní oblasti jsou možná nebezpečí.
- Noste pevné, dlouhé kalhoty, boty a ochranné brýle. Nenoste volný oděv, kraťasy, jakékoliv šperky nebo nechodte bosí.
- Dlouhé vlasy si svažte nad rameny, aby se nemohly zaplést do pohyblivých částí.
- Před prací s nástrojem a po nárazu zkontrolujte možné poškození dílů. Pokud je spínač nebo nějaká část poškozena či opotřebována, musí se řádně opravit nebo vyměnit pověřeným servisním střediskem.
- Zkontrolujte, zda je sekací doplněk řádně nainstalován a bezpečně upevněn.
- Nikdy nástroj neprovazujte, dokud nejsou všechny chrániče, vodící plechy a rukojeti řádně a bezpečně připojeny.
- Berte ohled na prostředí, ve kterém pracujete. Z pracovní oblasti odstraňujte dráty, kameny a předměty, které po styku s nástrojem mohou být odmrštěny.

BEZPEČNOSTNÍ VAROVÁNÍ K STRUNOVÉ SEKAČCE

- Nenechtejте děti nebo osoby neseznámené s těmito pokyny pracovat se strojem.
- Používejte ve výrobek dne nebo v dobrém umělém osvětlení.
- Nepoužívejte na mokrou trávu.
- Udržujte řádné postavení a rovnováhu po celou dobu práce.
- Nechodte pospět, když výrobek používáte.
- Chodte, nikdy neběhejte.
- Všechny přihlízející, zvláště děti a zvířata udržujte ve vzdálenosti alespoň 15 m od pracovní oblasti.
- Používejte sekací doplnek pod úrovní pasu.
- Nikdy nepoužívejte výrobek s poškozenými ochrannými kryty nebo bez správně nainstalovaných krytů.
- Nikdy neměňte za kovovou sekací šňůru.
- Mějte ruce i nohy vždy mimo oblast sekání, obzvláště, když zapínáte motor.
- Pozor, žací prvky rotují i po vypnutí motoru.
- Vyhýbejte se při sekání odmršťování předmětů. Odstraňte z pracovní oblasti předměty jako malé kameny, šterka a další cizí předměty před započatím práce.
- Přístroj vypněte a odpojte od napájení v následujících situacích:
 - servis
 - ponechání výrobku bez dozoru
 - čištění výrobku nebo odstranění ucpávky
 - výměna příslušenství
 - kontrola případného poškození po nárazu do předmětu
 - kontrola případného poškození, pokud začne výrobek nezvykle vibrovat
 - provádění údržby
- Malý nůž upevněný na sekačce trávy je navržen pro oříznutí nově natažené struny na správnou délku pro bezpečný a optimální výkon. Je velmi ostrý, nedotýkejte se, zejména, když čistíte nástroj.
- Vždy zajistěte, aby ventilační otvory nebyly ničím zataraseny.
- Zkontrolujte, zda je doplněk hlavy řádně nainstalován a bezpečně upevněn.
- Ujistěte se, že jsou všechny ochranné kryty, vodící plechy a rukojeti správně a bezpečně nasazeny.
- Nástroj nijak neupravujte, může to zvýšit nebezpečí poranění jak sebe samého, tak i ostatních.
- Používejte pouze náhradní žací strunu od výrobce. Nepoužívejte žádné jiné sekací nástavec.
- Bylo zjištěno, že vibrace z ručních pracovních nástrojů mohou u některých osob přispívat ke stavu tzv. Raynaud's Syndrome (Raynaudovu syndromu). Mezi jeho příznaky patří brnění, necitlivost a zbledení prstů, patrné obvykle po pobytu v chladu.
- Vědci se domnívají, že k rozvinutí těchto příznaků přispívají dědičné faktory, pobyt v chladu a vlhku, strava, kouření a pracovní návyky. Uživatel může

omezit případné působení vibrací použitím vhodných opatření:

- Za chladného počasí se teple oblečte. Při práci s nástrojem si navlekněte rukavice, abyste udrželi ruce a zápěstí v teple. Bylo zjištěno, že chladné počasí je hlavním faktorem přispívajícím k Raynaud's Syndrome (Raynaudovu syndromu).
 - Během práce si v pravidelných intervalech zacvičte, abyste zvýšili krevní oběh.
 - Zařazujte časté pracovní přestávky. Omezte dobu práce za den.
- Jakmile pocítíte některý z výše uvedených příznaků tohoto syndromu, okamžitě přerušte práci a vyhledejte lékaře.

⚠ UPOZORNĚNÍ

Poranění mohou být způsobena, či zhoršena, prodlouženým používáním nástroje. Když používáte jakýkoliv nástroj delší dobu, dělejte pravidelně přestávky.

TRANSPORT A SKLADOVÁNÍ

- Před skladováním a transportem nechejte přístroj vždy zastavit a vychladnout.
- Odstraňte z výrobku všechny cizí materiál. Ukládejte v chladných, suchých a dobře větraných prostorech, které nejsou přístupné dětem. Nářadí neuskładňujte v blízkosti žíravých látek, jako například v blízkosti zahrádkářských nebo zahradnických chemických přípravků nebo soli na zimní sypaní komunikací. Neskladujte mimo budovu.
- Před uskladněním vždy zařízení odpojte od sítě a kabel sviňte.
- Při transportu nástroj zajistěte proti pohybům nebo pádu, abyste zabránili poranění osob nebo poškození stroje.

ÚDRŽBA

⚠ UPOZORNĚNÍ

Používejte pouze originální příslušenství, doplňky a náhradní díly výrobce. Zanedbání může zapříčinit možné poranění, slabý výkon a může dojít ke ztrátě záruky.

⚠ UPOZORNĚNÍ

Údržba vyžaduje extrémní péči a znalosti a měla by být prováděna pouze kvalifikovaným servisním technikem. Pro údržbu nebo servis doporučujeme výrobek vrátit do nejbližšího pověřeného opravárenského střediska. Pokud opravujete, používejte pouze stejné náhradní díly.

- Před prováděním činností údržby je třeba vypnout stroj a odpojit kabel napájení od hlavního přívodu elektrické energie. Před odpojením od napájení se ujistěte, že je vypínač v poloze Off (Vyp.).
- Můžete provádět v návodu k obsluze uvedené opravy

a seřízení. Další opravy se smí provádět pouze u pověřených servisních prodejců.

- Při výměně struny používejte pouze monofilní strunu o průměru dle tabulky technických údajů v návodu.
- Po natažení nové žací struny vždy výrobek vraťte do normální provozní polohy, než jej znovu použijete.
- Po každém použití seřete nástroj měkkým a suchým hadříkem. Jakýkoliv poškozený díl je nutné správně opravit nebo nechat vyměnit v autorizovaném servisním středisku.
- Zkontrolujte všechny šrouby, matice v častých intervalech na řádné utažení, aby se zajistilo, že výrobek bude pracovat v bezpečných pracovních podmínkách.

ZAMÝŠLENÉ POUŽITÍ

Tento výrobek je určen pouze pro venkovní použití.

Výrobek je navržen pro sečení trávy, měkkého plevele a další podobné vegetace na úrovni nebo v blízkosti úrovně země. Rovina řezu by měla být víceméně rovnoběžná s plochou země.

Výrobek se nesmí používat pro stříhání či úpravu živého plotu, keřů nebo jiné vegetace, kde rovina řezu není rovnoběžná s plochou země.

ZBYTKOVÁ RIZIKA

Dokonce, i když se zařízení provozuje jak je předepsáno, je stále nemožné zcela eliminovat veškeré zbytkové rizikové faktory. Následující nebezpečí mohou nastat při používání; vyhýbejte se:

- Poranění způsobené vibracemi. Držte nástroj za rukojeť určené k držení a práci provádějte po omezenou dobu.
- Vystavování hluku může způsobit poškození sluchu. Noste ochranu sluchu a omezte vystavení.

SEZNAMTE SE DŮKLADNĚ SE SVÝM NÁŘADÍM.

Viz strana 94.

SOUČÁSTI

1. Zadní rukojeť
2. Spoušť
3. Přidržovač kabelu
4. Napájecí kabel
5. Držák přední rukojeti
6. Přední rukojeť
7. Knoflík seřízení rukojeti
8. Horní násada
9. Teleskopická objímka
10. Šroubovací objímka
11. Spodní násada
12. Tlačítko natáčení
13. Ochranný kryt
14. Obrubníkové kolo
15. Chránič rostliny
16. Žací struna
17. Kryt cívky
18. Řezací nůž struny
19. Szálkioldó gomb

20. Oko
21. Zamykací tlačítko víka cívky
22. Cívka

SYMBOLY NA VÝROBKU



Řádně si návod přečtěte, porozumějte veškerým pokynům a dodržujte všechny bezpečnostní pokyny a bezpečnostní varování.



Noste ochranu očí



Noste ochranu sluchu.



Nepoužívejte nože(nůž) na produktu.



Nevystavujte dešti nebo nepoužívejte ve vlhkých podmínkách.



Vydejte ihned zástrčku z elektrické zásuvky, jakmile zjistíte poškození nebo před údržbou.



Dávejte pozor na odmrštěné nebo odletující předměty. Přihlízející udržujte v bezpečné vzdálenosti od výrobku.



Dávejte pozor na odmrštěné nebo odletující předměty. Všechny přihlízející, zvláště děti a zvířata udržujte ve vzdálenosti alespoň 15 m od pracovní oblasti.



Zařízení třídy II, dvojitě izolováno



Odpad elektrických výrobků se nesmí likvidovat v domovním odpadu. Recyklujte prosím na sběrných místech. Ptejte se u místních úřadů nebo prodejce na postup při recyklaci.



Shoda CE



Shoda GOST-R



Zaručená hladina akustického výkonu je 96 dB.

Následující signální slova a významy jsou vhodné pro vysvětlení úrovně nebezpečí spojených s tímto výrobkem.

Symbol	Signál	Význam
	NEBEZPEČÍ	Označuje bezprostředně rizikovou situaci, které je třeba předejít, jinak bude jejím následkem smrt nebo vážné zranění.
	UPOZORNĚNÍ	Označuje možnou rizikovou situaci, které je třeba předejít, jinak jejím následkem může být smrt nebo vážné zranění.
	VAROVÁNÍ	Označuje možnou rizikovou situaci, které je třeba předejít, jinak jejím následkem může být smrt nebo vážné zranění.
	VAROVÁNÍ	Bez symbolu bezpečnostní výstrahy Určuje situaci, která může mít za následek vážné poškození.

IKONY V NÁVODU



Zapojení do elektrické zásuvky



Odpojení od elektrické sítě



Díly nebo příslušenství jsou v prodeji samostatně



Odpad elektrických výrobků se nesmí likvidovat v domovním odpadu.
Recyklujte prosím na sběrných místech.



POZNÁMKA:



UPOZORNĚNÍ

ÁLTALÁNOS BIZTONSÁGI FIGYELMEZTETÉSEK

▲ FIGYELMEZTETÉS

A termék használatakor a biztonsági szabályokat be kell tartani. A saját és mások biztonsága érdekében kérjük, olvassa el ezt az útmutatót a termék használata előtt. Tartsa meg a kézikönyvet, hátha a későbbiekben szüksége lehet rá.

▲ FIGYELMEZTETÉS

Ezt a szerszámgépet nem használhatják gyerekek és korlátozott fizikai, érzékelési vagy mentális képességekkel rendelkező személyek. A gyerekekre oda kell figyelni, nehogy játsszanak a szerszámgéppel.

▲ FIGYELMEZTETÉS

Egyes régiókban olyan előírások érvényesek, amelyek korlátozzák a termék használatát. További információért forduljon a helyi önkormányzathoz

GYAKORLÁS

- Ne hagyja, hogy gyerekek vagy a termék használatát nem ismerő felnőttek használják a terméket. A helyi előírások korlátozhatják a kezelő életkorát.
- Figyelmesen olvassa el az utasításokat. Legyen tisztában a gép kezelőszerveivel és a helyes használatával.
- Az nézelődők (különösen a gyerekek és a háziállatok) legyenek legalább 15 m-es távolságra a használati területtől. Állítsa le a motort, ha bárki belép a területre.
- Soha ne működtesse a terméket, ha fáradt, beteg, alkoholt, tudatmódosítók illetve gyógyszerek hatása alatt áll.
- Jegyezze meg, hogy a kezelő vagy a felhasználó felelős a más embereknek vagy tulajdonuknak okozott veszélyekért vagy balesetekért.

ELEKTROMOS BIZTONSÁG

- A szerszámgép dugaszának illeszkednie kell az aljzathoz. Semmilyen módon ne módosítsa a dugaszt. A földelt elektromos gépekhez ne használjon adapter dugaszt. A nem módosított és illeszkedő dugasz csökkenti az áramütés kockázatát.
- Kerülje el a véletlen bekapcsolást. A szerszám elektromos hálózatba való csatlakoztatása előtt mindig ellenőrizze, hogy a kapcsoló kikapcsolt állásban van. Az elektromos hálózatba kapcsolt terméket ne szállítsa úgy, hogy az ujjja a kapcsolón van.
- Kerülje az érintkezést földelt felületekkel, mint például csövekkel, radiátorokkal és hűtőkkel. Megnöveli az áramütés kockázatát, ha a teste földeltté válik.
- Ne tegye ki a terméket esőnek vagy nedves környezet hatásának. A készülékbe bejutó víz növeli az áramütés kockázatát.
- A készüléket egy 30 mA-nél nem nagyobb kioldóáramú áram-védőkapcsolóval (RCD) kell felszerelni.

- Minden használat előtt sérülés tekintetében vizsgálja át a tápkábelt. Ha sérülés jelei látszanak, hivatalos szervizközpontban kell kicseréltetni. Használatkor mindig tekerje szét a tápkábelt, a feltekert kábelek túlhevülhetnek.
- Ha hosszabbító kábelt kell használnia, ügyeljen arra, hogy az kültéri használatra alkalmas és a gép meghajtásához elégséges besorolású legyen, minden használat ellenőrizze azt sérülések tekintetében, és használatakor mindig tekerje szét a tápkábelt, a feltekert kábelek túlhevülhetnek. A sérült hosszabbító kábeleket tilos megjavítani, azokat azonos típusúra kell kicserélni.
- Ne használja a terméket ha az elektromos kábelek károsodtak vagy elhasználódtak.
- Ha használat közben a tápkábel vagy a hosszabbító kábel megsérül, azonnal húzza ki a kábelt az elektromos hálózati aljzathoz. Na érintse meg az elektromos kábeleket, amíg a gép nincs kihúzva a hálózathoz.
- Ügyeljen rá, hogy a tápkábel úgy legyen elvezetve, hogy azt ne vágják el a vágószerszámok, arra ne lépjenek rá, ne botoljanak el benne, és más módon se károsítsák vagy feszítsék meg.
- Ne fogja meg és ne szállítsa a terméket az elektromos kábelnél fogva.
- A hálózatról való leválasztásakor soha ne a tápkábelt húzza.
- Hőtől, olajtól és éles szélektől tartsa távol a tápkábelt.
- Ellenőrizze, hogy a hálózati feszültség megfelelő a termékhez. A termék működési feszültsége az adattáblán van feltüntetve. A terméket ne csatlakoztassa olyan váltóáramú feszültséghez, amely különbözik ettől a feszültségtől.
- Ügyeljen rá, hogy áramtalanítás előtt a kapcsolót mindig állítsa kikapcsolt állásba.

ELŐKÉSZÜLET

- Viseljen teljes szem- és fülvédőt a termék használata közben. Kötelező a fejdőző viselete, ha olyan területen dolgozik, ahol tárgyak hullhatnak le.
- A hallásvédő korlátozhatja a kezelőket, hogy meghallják a figyelmeztető hangjelzéseket, ezért különösen figyeljenek oda a munkaterületen és akörül fennálló potenciális veszélyekre.
- Viseljen vastag anyagból készült, hosszú nadrágot, csizmát és kesztyűt. Ne vegyen fel laza ruhát, rövidnadrágot, semmilyen ékszert, és ne legyen meztláb.
- Ha hosszú a haja, azt a vállvonal felett rögzítse, nehogy beakadjon valamilyen mozgó alkatrészekbe.
- Használat előtt és amennyiben a gépet bármilyen behatás éri, ellenőrizze, hogy az alkatrészek nem sérültek. A hibás csatlakozásokat vagy bármilyen más sérült vagy elhasznált alkatrészt egy hivatalos szervizközpontban megfelelően meg kell javítani vagy ki kell cseréltetni.
- Bizonyosodjon meg róla, hogy a vágószerelék helyesen lett felszerelve és biztonságosan rögzítve van.
- Soha ne működtesse a gépeket, amíg nincs minden védőburkolat, terelőlemez és fogantyú megfelelően felszerelve és rögzítve.



- Vizsgálja át a környezetet, ahol dolgozik. A munkaterületet tisztítsa meg a drótdaraboktól, fadaraboktól, kövektől és más hulladéktól, melyek a vágófeje ütközve kivetődhetnek.

SZEGÉLVÁGÓ BIZTONSÁGI FIGYELMEZTETÉSEK

- Ne hagyja, hogy gyerekek vagy a gép használatát nem ismerő felnőttek használják a gépet.
- Nappal vagy jó mesterséges megvilágításnál használja a terméket.
- Kerülje a nedves fűvön való használatot.
- Mindig tartson megfelelő testtartást és egyensúlyt.
- Ne lépjen hátrafelé a termék használata közben.
- Gyalogoljon, ne fusson.
- Az nézelődők (különösen a gyerekek és a háziállatok) legyenek legalább 15 m-es távolságra a használati területtől.
- A vágószerelékertartsa derékszint alatt.
- Ne működtesse a terméket sérült védőburkolattal vagy ha a védőburkolatok nincsenek a helyükön.
- Ne szereljen fel fém csereszálat.
- A kezét és lábát minden esetben, de különösen a motor bekapcsolásakor, tartsa távol a vágóeszközöktől.
- Vigyázzon, a vágószemek a motor leállítása után tovább forognak.
- Ügyeljen a vágóeszköz által kivetett tárgyakra. A használat megkezdése előtt tisztítsa le a hulladékot, például a kisebb köveket, kavicsot és más idegen tárgyakat a munkaterületről.
- Kapcsolja ki és húzza ki a gépet az elektromos hálózatról, mielőtt:
 - szervizelés
 - a termék felüveget nélkül hagyása
 - a termék tisztítása vagy eltömődés megszüntetése
 - tartozékok cseréje
 - egy tárgy eltávolítása után vizsgálja meg, hogy nincsenek-e rajta sérülések
 - Ellenőrizze, hogy a termék nem sérült-e meg, ha a vágó túlzottan vibrálni kezd
 - karbantartás végrehajtása
- A fű védőburkolatra felszerelt kisméretű penge a kitölt szálnak a biztonságos és optimális működéshez szükséges méretűre vágására szolgál. Nagyon éles, úgyhogy ne érjen hozzá, különösen a termék tisztításakor.
- Mindig ügyeljen rá, hogy semmi ne maradjon a szellőzőnyílásokban.
- Bizonyosodjon meg róla, hogy a fej szerelvény helyesen lett felszerelve és biztonságosan rögzítve van.
- Ügyeljen rá, hogy minden a védőburkolat, terelőlemez és fogantyú megfelelően fel legyen szerelve és rögzítve.
- Semmilyen módon ne változtassa meg a terméket, mert azzal növelheti a saját maga vagy mások sérülésének veszélyét.
- Csere esetén csak a gyártó által előírt csereszálat

használja. Ne használjon semmilyen más vágó szerelvényt.

- Arról számoltak be, hogy a kéziszerszámok használata során fellépő vibráció bizonyos személyeknél hozzájárulhat az úgynevezett Raynaud-szindróma (Raynaud's Syndrome) nevű állapot kialakulásához. A tünetei lehetnek: az ujjak zsibbadása, elfehéredése, szúrások érzése, amelyek hidegnek kitéve gyakran felerősödnek.
- Az örökös tényezők, a hidegnek kitettség és verejtékezés, a diéta, a dohányzás és munka közben alkalmazott fogások valószínűleg mind hozzájárulhatnak ezen tünetek megjelenéséhez. A vibráció hatásainak csökkentése érdekében a kezelőnek be kell tartani az alábbi óvintézkedéseket:
 - Hideg időben tartsa melegen a testét. A gép használatakor viseljen kesztyűt a kéz és a csukló melegen tartásához. Arról számoltak be, hogy a hideg időjárásnak fontos szerepe van a Raynaud-szindróma kialakulásában.
 - Bizonyos időtartamú használat után mindig végezzen gyakorlatokat a vérkeringés javításához.
 - Gyakran tartson munkaszünetet. Korlátozza a napi munkaidőt.
- Ha ezen állapot bármelyik tünetét tapasztalja, azonnal hagyja abba a munkát, és tájékoztassa az orvosát a tünetekről.

▲ FIGYELMEZTETÉS

Injuries may be caused, or aggravated, by prolonged use of a tool. Ha a gépet hosszú időn át kell használnia, tartson gyakran szünetet.

SZÁLLÍTÁS ÉS TÁROLÁS

- Szállítás és tárolás előtt állítsa le és hagyja lehűlni a gépet.
- Minden idegen anyagtól tisztítsa meg a terméket. Hűvös, száraz és jól szellőztetett, gyerekektől elzárt helyiségben tárolja. Ne tárolja olyan oxidálószerrel közelében, mint pl. kerti munkáknál használatos vegyszerek vagy jégmentesítő sók. Ne tárolja a szabadban.
- A tároláshoz mindig válassza le a hálózatról és tekerje fel a kábelt.
- Szállításkor rögzítse a gépet elmozdulás és leesés ellen, hogy elkerülje a sérüléseket és az anyagi kárt.

KARBANTARTÁS

▲ FIGYELMEZTETÉS

Csak a gyártó eredeti cserealkatrészeit, tartozékait és szerelvényeit használja. Ennek figyelmen kívül hagyása gyenge motor teljesítményt, esetleges sérülést és a jótállás elvesztését okozhatja.





▲ FIGYELMEZTETÉS

szervizelés különös figyelmet és hozzáértést igényel, és csak szakképzett szerelő végezheti el. Javasoljuk, hogy a szervizeléskor a terméket vigye a legközelebbi hivatalos szervizközpontba javítás céljából. Szervizeléskor csak azonos cserealkatrészeket használjon.

- Bármilyen karbantartási művelet elvégzése előtt áramtalanítsa a készüléket a tápkábel elektromos hálózathoz való kihúzásával. Ügyeljen rá, hogy áramtalanítás előtt a kapcsolót mindig állítsa kikapcsolt állásba.
- A használati útmutatóban leírt beállításokat és javításokat Ön is elvégezheti. Az egyéb javításokhoz vegye fel a kapcsolatot a hivatalos szervizzel.
- Csere vágószállként csak a jelen kézikönyvben a műszaki adatoknál megadott átmérőjű nejlón vágószálat használjon.
- Új vágószáll kihúzását követően a beindítás előtt mindig állítsa vissza a terméket a normális működési állásba.
- Minden egyes használat után egy puha, száraz ruhával tisztítsa meg a terméket. A sérült alkatrészeket egy hivatalos szervizközpontban kell megjavíttatni vagy kicseréltetni.
- Gyakori időközönként ellenőrizze a csavaranyák, csavarok és fejescsavarok megfelelő meghúzását, hogy a termék biztonságos üzemi állapotban legyen.

RENDELTESSZERŰ HASZNÁLAT

A termék kizárólag a szabadban használható.

A termék fű, gaz és más hasonló növényzet talajszinten való vágására alkalmas. A vágás síkjának nagyjából párhuzamosnak kell lennie a talajfelszínnel.

A termék nem használható sövények, bokrok vagy más olyan növény vágására vagy nyesésére, ahol a vágás síkja nem párhuzamos a talajfelszínnel.

FENNMARADÓ KOCKÁZAT

Még a gép rendeltetészerű használata esetén sem lehet teljesen kiküszöbölni minden kockázati tényezőt. A gép használata során a következő veszélyek merülhetnek fel, és a kezelőnek különösen oda kell figyelnie az alábbiak elkerülésére:

- A vibráció sérüléseket okozhat. A gépet az arra szolgáló fogantyúnál tartsa, és korlátozza a munkaidőt és a vibrációnak való kitettséget.
- A zajnak való kitettség halláskárosodást okozhat. Viseljen hallásvédőt és korlátozza a zajnak való kitettséget

TANULMÁNYOZZA A LÁNCFŰRÉSZ MŰKÖDÉSÉT.

Lásd 94. oldal.

RÉSZEGYSÉGEK

1. Hátsó fogantyú
2. Kioldó
3. Kábeltartó
4. Tápkábel

5. Elülső fogantyútartó
6. Elülső fogantyú
7. Fogantyúbeállító gomb
8. Felső tengely
9. Teleszkópos gallér
10. Forgó gallér
11. Alsó tengely
12. Döntés gomb
13. Biztonsági védőburkolat
14. Szegélyvágó kerék
15. Növénnyvédő
16. Vágószáll
17. Orsófedél
18. Vágókés
19. Szálkioldó gomb
20. Kis nyílás
21. Orsófedél rögzítőgomb
22. Orsó

SZIMBÓLUMOK A TERMÉKEN



A termék használata előtt olvassa el és értse meg a kezelési útmutatóban leírtakat, és tartsa be az összes figyelmeztető és biztonsági utasítást.



Viseljen védőszemüveget



Viseljen fülvédőt.



Ne használjon vágókés(ek)e)t a terméken.



Ne tegye ki esőnek, és ne használja nedves környezetben.



Karbantartás előtt vagy sérülése, illetve átvágása esetén azonnal húzza ki a tápkábelt az elektromos hálózathoz.



Figyeljen a kivetett vagy repülő tárgyakra.
A nézelődőket a terméktől biztonságos távolságban tartsa.



Figyeljen a kivetett vagy repülő tárgyakra. Az nézelődők (különösen a gyerekek és a háziállatok) legyenek legalább 15 m-es távolságra a használati területtől.



Class II gép, kettős szigetelés





A kiselejtezett elektromos termékeket nem szabad a háztartási hulladékkal együtt kidobni. Ezeket újra kell hasznosítani, ha van rá lehetőség. Az újrahasznosítással kapcsolatban érdeklődjön a helyi önkormányzatnál vagy a termék forgalmazójánál.



FIGYELMEZTETÉS



CE megfelelés



GOST-R megfelelés



Garantált hangteljesítményszint: 96 dB.

A következő jelölőszavak és jelentések arra szolgálnak, hogy megmagyarázzák a termékkel kapcsolatos veszélyességi szinteket.

Szimbólum	Jelzés	Jelentés
	VESZÉLY	Egy bekövetkező veszélyes helyzetet jelez, ami, ha nem előzik meg, halált vagy komoly sérülést eredményez.
	FIGYELMEZTETÉS	Egy potenciálisan bekövetkező veszélyes helyzetet jelez, amit, ha nem előznek meg, halált vagy komoly sérülést eredményezhet.
	FIGYELEMFELHÍVÁS	Egy potenciálisan veszélyes helyzetet jelez, ami, ha nem előzik meg, kisebb vagy mérsékelt sérülést eredményezhet.
	FIGYELEMFELHÍVÁS	Biztonsági figyelmeztető szimbólum nélkül Egy olyan helyzetet jelez, ami anyagi kárt eredményezhet.

IKONOK A KÉZIKÖNYVBEN



Csatlakoztassa egy elektromos hálózati aljzathoz



Húzza ki az elektromos hálózati aljzathoz



Külön értékesített alkatrészek és kiegészítők



A kiselejtezett elektromos termékeket nem szabad a háztartási hulladékkal együtt kidobni. Ezeket újra kell hasznosítani, ha van rá lehetőség.



MEGJEGYZÉS:

AVERTISMENTE GENERALE PRIVIND SIGURANȚA

⚠ AVERTISMENT

Atunci când utilizează produsul, normele de siguranță trebuie să fie respectate. Pentru siguranța dumneavoastră și a trecătorilor, vă rugăm să citiți aceste instrucțiuni înainte de utilizarea produsului. Vă rugăm să păstrați instrucțiunile într-un loc sigur pentru utilizare ulterioară.

⚠ AVERTISMENT

Această sculă nu este proiectată să fie folosită de către copii sau persoane cu capacități fizice, mentale sau senzoriale reduse. Copiii trebuie supravegheați adecvat pentru a se asigura că nu se joacă cu aparatul.

⚠ AVERTISMENT

Anumite regiuni au reglementări ce restricționează folosirea produsului. Cereți sfatul autorității locale

INSTRUIRE

- Nu permiteți niciodată copiilor sau persoanelor care nu sunt familiarizate cu aceste instrucțiuni să utilizeze produsul. Reglementările locale pot restricționa vârsta operatorului.
- Citiți instrucțiunile cu atenție. Familiarizați-vă cu toate controalele și utilizarea corespunzătoare a mașinii.
- Țineți toate persoanele, în special copiii și animalele de companie, la cel puțin 15 m distanță de zona de lucru. Opriti mașina dacă cineva intră în zonă.
- Nu utilizați niciodată produsul când sunteți obosit, bolnav sau sub influența alcoolului, a drogurilor sau a medicamentelor.
- Rețineți că operatorul sau utilizatorul este responsabil pentru accidentele sau pericolele ce pot avea loc asupra altor persoane sau proprietății lor.

SIGURANȚĂ ELECTRICĂ

- Ștecărele uneltelor electrice trebuie să se potrivească cu priza. Nu modificați niciodată ștecarul în nici un fel. Nu folosiți niciodată adaptoare de ștecar cu uneltele electrice cu împământare. Ștecărele nemodificate și prizele potrivite reduc riscul de electrocutare.
- Evitați pornirile involuntare. Verificați întotdeauna că comutatorul este în poziția Off (Oprit) înainte de a introduce ștecherul unei alte prize surse de alimentare. Nu transportați un produs alimentat la priză având degetul pe butonul de pornire.
- Evitați contactul corpului cu suprafețele conectate la împământare, precum țevi, radiatoare, reșouri, mașini de gătit și frigider. Există un risc crescut de electrocutare când corpul dumneavoastră are contact cu împământarea.
- Nu expuneți acest produs la ploaie sau condiții de umiditate. Pătrunderea apei în aparat va crește riscul

electrocutării.

- Energia electrică trebuie să fie furnizată printr-un dispozitiv pentru curent rezidual (RCD) cu un curent de declanșare de nu mai mult de 30 mA.
- Înainte de fiecare folosire, verificați de defecte cablul de alimentare. Dacă există semne de deteriorare, trebuie înlocuit la un centru service autorizat. Desfășurați întotdeauna cablul de alimentare, cablurile înfășurate pot să se supraîncalzească.
- Dacă e nevoie să folosiți un cablu prelungitor, asigurați-vă că este corespunzător pentru folosirea în exterior și că are o capacitate de curent suficientă pentru a alimenta aparatul dvs, verificați-l înainte de fiecare folosire dacă este deteriorat și întotdeauna desfășurați-l în timpul folosirii întrucât cablurile înfășurate pot să se supraîncalzească. Cablurile prelungitoare deteriorate nu trebuie reparate, ele trebuie înlocuite cu un model echivalent.
- Nu utilizați produsul în cazul în care cablurile electrice sunt deteriorate sau uzate.
- În cazul în care cablul de alimentare sau cablu de extensie se deteriorează în timpul utilizării, deconectați de la sursa de alimentare imediat. Nu atingeți cablurile electrice până când sursa de alimentare nu este deconectată.
- Asigurați-vă că poziționarea cablului de alimentare este în așa fel încât nu poate fi deteriorat prin mijloace de tăiere și că nu se va călca peste el, nu vă împiedicați de el sau să nu-l supuneți stresului.
- Nu ridicați sau transportați produsul de cablul electric.
- Nu trageți niciodată de cablul de alimentare pentru a deconecta de la sursa de alimentare.
- Păstrați cablul departe de căldură, ulei sau margini ascuțite.
- Asigurați-vă că tensiunea este corectă pentru produsul dvs. O etichetă de pe produs indică tensiunea unității. Nu conectați produsul la o tensiune de curent alternativ care diferă de această tensiune.
- Asigurați-vă că comutatorul este în poziția Off (Oprit) înainte de deconectarea de la sursa de alimentare.

PREGĂTIRE

- Purtați protecție completă a ochilor și urechilor în timpul operării produsului. Dacă în zona de lucru există riscul căderii de obiecte, trebuie purtată protecție a capului.
- Protecția auzului ar putea împiedica operatorului capacitatea de a auzi sunete de avertizare, să acorde atenție specială potențialelor pericole din jurul său sau înăuntrul zonei de lucru.
- Purtați pantaloni lungi, groși, cizme și mănuși. Nu purtați haine largi, pantaloni scurți, bijuterii sau nu mergeți desculț.
- Strângeți părul lung mai sus de nivelul umerilor pentru a preveni prinderea în orice piese în mișcare.
- Înainte de folosire și după fiecare impact, verificați să nu existe părți/piese deteriorate. Un întrerupător defect sau orice altă parte care e deteriorată sau uzată trebuie reparată corespunzător sau înlocuită la un atelier service autorizat.



- Asigurați-vă că accesoriul de tăiere este corect instalat și prins fix.
- Nu operați niciodată aparatul decât dacă toate apărătorile, deflectoarele și mânerul sunt corect și fix atașate.
- Aveți în vedere mediul în care lucrați. Păstrați zona de lucru liberă de cabluri, bețe, pietre și resturi care dacă sunt lovite de cuțit pot să fie aruncate.

AVERTIZĂRI DE SIGURANȚĂ ASUPRA FIRULUI DE TĂIERE.

- Nu permiteți niciodată copiilor sau persoanelor care nu sunt familiarizate cu aceste instrucțiuni să utilizeze dispozitivul.
- Folosiți produsul pe timpul zilei sau dacă aveți o sursă de lumină artificială bună.
- Evitați utilizarea pe iarba umedă.
- În timpul operării dispozitivului, păstrați-vă în permanență echilibrul și stabilitatea.
- Nu pășiți înapoi atunci când folosiți produsul.
- Mergeți. Nu alergați niciodată.
- Țineți toate persoanele, în special copiii și animalele de companie, la cel puțin 15 m distanță de zona de lucru.
- Mențineți accesoriul de tăiere sub nivelul taliei.
- Nu utilizați niciodată produsul cu dispozitive de protecție deteriorate sau fără ca acestea să fie montate.
- Nu încoluiți niciodată firul de nylon cu unul metalic.
- Feriți întotdeauna mâinile și picioarele de părțile tăietoare ale uneltei, mai ales atunci când porniți motorul.
- Atenție, elementele de tăiere continuă să se rotească după ce motorul este oprit.
- Fiți atent la obiectele aruncate de mijloacele de tăiere. Curățați resturile precum pietre mici, pietriș și alte obiecte străine din zona de lucru înainte de începerea operării.
- Opriți și deconectați de la sursa de alimentare înainte de:
 - revizia
 - lăsarea produsului fără supraveghere
 - curățarea produsului dvs sau înlăturarea unui blocaj
 - schimbarea accesoriilor
 - verificare pentru orice daune după lovirea unui obiect
 - verificare pentru orice daune în cazul în care produsul începe să vibreze anormal
 - efectuarea întreținerii
- Lama mică fixată la apărătoarea mașinii de tuns este proiectată să tundă noul fir prelungit la lungimea corectă pentru o funcționare sigură și optimă. Este foarte ascuțită, nu o atingeți în special când curățați aparatul.
- Asigurați-vă întotdeauna că deschiderile de ventilație nu sunt acoperite de resturi.
- Asigurați-vă că este corect instalat și prins fix capul accesoriului.
- Asigurați-vă că toate dispozitivele de protecție,

deflectoarele și mânerul sunt fixate corect și strâns.

- Nu modificați mașina în niciun fel, asta ar putea crește riscul vătămării dvs. sau a altora
- Folosiți doar fir de tăiere înlocuitor al producătorului. Nu folosiți niciun alt accesoriu de tăiere.
- S-a raportat faptul că vibrațiile produse de unelte manuale pot contribui, la anumite persoane, la o afecțiune denumită Sindromul Raynaud. Simptomele pot include furnicătură, amorțeală și albirea degetelor, care apare, de obicei, după expunerea la frig.
- Factori ereditari, expunerea la frig și umiditate, dieta, fumatul și practicile de muncă contribuie la dezvoltarea acestor simptome. Există măsurător care pot fi efectuate de către operator pentru a reduce efectele de vibrațiilor:
 - Păstrați-vă temperatura corporală ridicată pe vreme rece. Când operați unitatea purtați mănuși pentru a vă menține mâinile și încheieturile la căldură. S-a constatat că vremea rece este un factor major care contribuie la sindromul Raynaud.
 - După fiecare perioadă de operare, trebuie făcute exerciții pentru a crește circulația sângelui.
 - Trebuie făcute pauze la intervale de timp regulate. Limitați expunerea zilnică.
- Dacă sunt experimentate oricare dintre simptomele acestei afecțiuni, trebuie întreruptă utilizarea și consultat un medic.

⚠ AVERTISMENT

Pot fi cauzate sau agravate vătămarile de la folosirea prelungită a aparatului. Atunci când folosiți o sculă pentru perioade prelungite, asigurați-vă că luați pauze regulate.

TRANSPORTAREA ȘI DEPOZITAREA

- Opriți aparatul și lăsați-l să se răcească înainte de a-l transporta sau depozita.
- Curățați toate materialele străine din produs. Depozitați-l într-un loc răcoros, uscat și bine aerisit ce este inaccesibil copiilor. Nu-l depozitați în apropiere de agenți corozivi cum ar fi produși chimici de grădinarit sau săruri antigel. Nu depozitați în aer liber.
- Pentru depozitare, deconectați întotdeauna de la sursa de alimentare și înfășurați cablul.
- Pentru transportare, fixați aparatul împotriva mișcării sau căderii pentru a preveni vătămarea persoanelor sau a deteriora aparatul.

ÎNȚEȚINEREA

⚠ AVERTISMENT

Folositi doar piese de schimb, accesorii si atasamente originale ale producatorului. Neurmarea acestora poate cauza posibilă vătămare, slaba funcționare și ar putea anula garanția.



⚠️ AVERTISMENT

Service-ul necesită atenție și cunoștințe deosebite și trebuie îndeplinit doar de către un tehnician service calificat. Pentru service sugerăm să returnați produsul la cel mai apropiat centru service autorizat pentru efectuarea reparațiilor. Când se efectuează service-ul folosiți doar piese de schimb identice.

- Înainte de a efectua orice operații de întreținere, întrerupeți alimentarea cu energie electrică prin deconectarea fișei de la priză. Asigurați-vă că comutatorul este în poziția Off (Oprit) înainte de deconectarea de la sursa de alimentare.
- Puteți face reglaje și reparații descrise în acest manual de instrucțiuni. Pentru alte reparații, contactați agentul service autorizat.
- Pentru fir de schimb folosiți doar fir de nylon cu filament de diametru descris în tabelul cu specificații a acestui manual.
- Nu prelungirea noului fir de tăiere, reveniți întotdeauna produsul la poziția sa normală de funcționare înainte de a-l opera.
- După fiecare folosire curățați produsul cu o cârpă moale și uscată. Orice piesă deteriorată trebuie să fie reparată în mod corespunzător sau înlocuită de un service autorizat.
- Verificați toate piulițele, suruburile la intervale frecvente de timp ca să fie corespunzător strânse pentru a vă asigura că produsul este în stare de lucru în siguranță.

UTILIZARE PREVĂZUTĂ

Acest produs este destinat numai pentru utilizare în aer liber.

Produsul este proiectat pentru tăierea ierbii, a buruienilor ușoare și altă vegetație similară la sau deasupra nivelului solului. Planul de tăiere trebuie să fie aproximativ paralel cu suprafața solului.

Produsul nu trebuie utilizat pentru a tăia sau a tunde garduri vii, tufișuri sau altă vegetație în care planul de tăiere nu este paralel cu suprafața solului.

RISCURI REZIDUALE

Chiar dacă mașina este folosită conform instrucțiunilor, este totuși imposibil să eliminați complet anumiți factori de risc reziduali. Următoarele pericole pot apărea în timpul folosirii și operatorul trebuie să acorde atenție specială pentru a evita următoarele:

- Vătămare cauzată de vibrație. Țineți mașina de mânerele destinate și restricționați timpul de lucru și expunerea.
- Expunerea la zgomot poate cauza vătămarea auzului. Purtați protecție pentru auz și limitați expunerea.

ÎNVĂȚAȚI SĂ VĂ CUNOAȘTEȚI FERĂSTRĂUL CU LANȚ.

Vezi pagina 94.

PĂRȚI

1. Mâner posterior
2. Declanșator
3. Opritor cablu
4. Cordon de alimentare
5. Suport mâner frontal
6. Mâner anterior
7. Buton rotativ de reglare a mânerului
8. Bară superioară
9. Colier telescopic
10. Colier rotativ
11. Bară inferioară
12. Buton pivot
13. Apărătoare de siguranță
14. Rotiță bordurat
15. Dispozitiv de protecție a plantelor
16. Fir de tăiere
17. Capac bobină
18. Lamă de tăiere
19. Buton de eliberare a firului
20. Gaură
21. Buton de blocare capac bobină
22. Bobină

SIMBOLURILE DE PE PRODUS.



Citiți și înțelegeți toate instrucțiunile înainte de operarea produsului, urmați toate avertizările și instrucțiunile de siguranță.



Purtați întotdeauna ochelari de protecție



Purtați protecție pentru auz.



Nu folosiți lama/e la acest produs.



Nu expuneți la ploaie sau umezeală.



Deconectați fișa de la rețeaua de alimentare cu electricitate imediat înainte de realiza operații de întreținere sau în cazul în care cablul este deteriorat sau tăiat.



Feriți-vă de obiecte proiectate sau în zbor. Păstrați distanța între persoanele din apropiere și produs.



Feriți-vă de obiecte proiectate sau în zbor. Țineți toate persoanele, în special copiii și animalele de companie, la cel puțin 15 m distanță de zona de lucru.



Aparat clasa II, izolație dublă.



Deșeurile produselor electrice nu trebuie să fie înălțurate împreună cu deșeurile casnice. Vă rugăm să reciclați acolo unde există facilități. Verificați la autoritatea dvs. locală sau la vânzător pentru sfaturi privind reciclarea.



Conform CE



Conform GOST-R



Nivelul de putere sonoră garantat este de 96 dB.



AVERTISMENT

rmătoarele cuvinte simbol și înțelesul lor au intenția de a explica nivelele de risc asociate cu acest produs.

Simbol	Semnal	Înțeles
	PERICOL	Indică o situație periculoasă iminentă, care dacă nu este evitată va cauza decesul sau vătămarea gravă.
	AVERTISMENT	Indică o situație periculoasă iminentă, care dacă nu este evitată poate rezulta în deces sau vătămare gravă.
	ATENȚIE	Indică o situație potențial periculoasă, care dacă nu este evitată poate cauza vătămarea moderată sau ușoară.
	ATENȚIE	Fără a simbolul de alertă privind siguranța Indică o situație care poate duce la pagube materiale.

PICTOGRAME ÎN ACEST MANUAL



Conectarea la priză



Deconectați de la priză



Piese sau accesorii vândute separat



Deșeurile produselor electrice nu trebuie să fie înălțurate împreună cu deșeurile casnice. Vă rugăm să reciclați acolo unde există facilități.



OBSERVAȚIE:

VISPĀRĪGIE DROŠĪBAS BRĪDINĀJUMI

▲ BRĪDINĀJUMS

Izmantojot ierīci, izpildiet drošības noteikumus. Pirms darba uzsākšanas Jūsu un blakusstāvētāju drošības dēļ, lūdzu, izlasiet šos norādījumus. Lūdzu, glabājiet noteikumus drošā vietā vēlākai izmantošanai.

▲ BRĪDINĀJUMS

Šis elektroinstruments nav paredzēts lietošanai bērniem vai personām ar fiziskiem, garīgiem vai sensoriem traucējumiem. Bērniem nedrīkst ļaut spēlēties ar elektroinstrumentu.

▲ BRĪDINĀJUMS

Dažos reģionos pastāv noteikumi, kas ierobežo preces lietošanu. Lai uzzinātu vairāk, konsultējieties ar vietējām iestādēm

APMĀCĪBA

- Neļaujiet šo izstrādājumu lietot bērniem vai cilvēkiem, kuri nav izlasījuši šīs instrukcijas. Vietos įstatymai gali apriboti įrengimo operatoriaus amžiu.
- Uzmanīgi izlasiet norādījumus. Iepazīstieties ar visām vadības ierīcēm un pareizu iekārtas lietošanu.
- Neļaujiet nepiederošām personām, it īpaši bērniem un mājdzīvniekiem, tuvoties darba zonai tuvāk par 15 m. Apturiet mehānismu, ja kāds ieņāk darba zonā.
- Nedarbiniet izstrādājumu, kad esat noguris, slims vai alkohola, narkotisko vielu vai zāļu iespaidā.
- Turēkīte omenyje, kad operatorius arba vartotojas yra atsakingas už nelaimingus atsitikimus arba kitiems asmenims ar jų turėti sukeltą pavojų..

ELEKTRODROŠĪBA

- Elektroinstrumenta kontaktdakšai jāatbilst kontaktligzdai. Nekad nepārveidojiet kontaktdakšu. Sazemētiem elektroinstrumentiem nelietojiet pārejas ligzdas. Nepārveidotas kontaktdakšas un atbilstošas kontaktligzdas samazinās elektriskā trieciena risku.
- Izvairieties no nejausās iedarbināšanas. Pirms ierīces pievienošanas strāvas avotam vienmēr pārbaudiet, vai slēdzis ir izslēgtā (Off) stāvoklī. Nepārsiesiet pieslēgtu izstrādājumu, turot pirkstu uz slēdža.
- Nepieļaujiet ķermeņa kontaktam ar sazemētām virsmām, piemēram, caurulēm, radiatoriem, pavadiem un saldētavām. Ja jūsu ķermenis ir sazemēts, pastāv palielināts elektriskā trieciena risks.
- Nepakļaujiet šo precī lietum vai slāpjiem apstākļiem. Ūdenim iekļūstot iekārtā, palielinās risks saņemt elektriskās strāvas triecienu.
- Elektriskā enerģija jāpiegādā caur strāvas noplūdes automātslēdzi (RCD) ar atslēgšanas strāvu, kas nepārsniedz 30 mA.
- Pirms katras lietošanas reizes pārbaudiet, vai strāvas vads nav bojāts. Ja vērojamas bojājumu pazīmes,

bojātā vieta jānomaina pilnvarotā servisa centrā. Lietošanas laikā vienmēr attīniet strāvas vadu, satīti vadi var pārkarst.

- Ja jāizmanto vada pagarinātājs, pārliecinieties, kas tas ir piemērots lietošanai ārpus telpām un ka tā strāvas jauda ir pietiekama, lai apgādātu jūsu instrumentu; pirms katras lietošanas reizes pārbaudiet, vai tas nav bojāts, un lietošanas laikā vienmēr to attīniet, jo satīti vadi var pārkarst. Bojātu vada pagarinātāju nedrīkst labot, to jānomaina pret līdzvērtīgu.
- Nelietojiet izstrādājumu, ja elektriskais kabelis ir bojāts vai nolietojies.
- Ja elektrības vads vai pagarinātāja kabelis darba laikā tiek bojāts, nekavējoties atvienojiet to no strāvas avota. Nepieskarieties elektriskajam kabelim, kamēr nav atvienota enerģijas piegāde.
- Pārliecinieties, ka strāvas vads ir novietots tā, ka to nevar bojāt sagriežot un ka uz tā nevar uzkāpt, paklupt vai to kā citādi bojāt vai nospiegot.
- Nekad nepaceliet un nenesiet izstrādājumu aiz elektriskā kabeļa.
- Atvienojot no enerģijas avota, nekad nevelciet aiz elektriskā vada.
- Turiet elektrības vadu prom no siltuma avota, eļļas un asām šķautnēm.
- Pārliecinieties, ka spriegums ir atbilstošs izstrādājumam. Ierīces spriegums norādīts uz iekārtas nosaukuma plāksnītes. Nekad nepievienojiet ierīci cita sprieguma vērtības maiņspriegumam.
- Pirms atvienošanas no enerģijas avota pārliecinieties, vai slēdzis ir izslēgtā (Off) stāvoklī.

SAGATAVOŠANA

- Darbinot precī, valkājiet pilnus acu un ausu aizsargus. Ja strādājat zonā, kur pastāv krītošu priekšmetu risks, jāvalkā galvas aizsargs.
- Dzirdes aizsargs var apgrūtināt operatora spēju dzirdēt brīdinājuma skaņas, veltiet īpašu uzmanību potenciālām briesmām darba zonā un tās apkārtnē.
- Valkājiet smagas, garas bikses, zābakus un cimdus. Nevalkājiet vaļīgu apģērbu, īsas bikses, jebkādas rotaslietas un nesaīgājiet kailām kājām.
- Nostipriniet garus matus virs pleciem, lai nepieļautu to ieķeršanos kustīgās detaļās.
- Pirms lietošanas un pēc jebkura trieciena, pārbaudiet, vai nav bojātu daļu. Bojāts slēdzis vai kāda daļa, kas ir bojāta vai nolietota, pareizi jāsalabo vai jānomaina pilnvarotā servisa centrā.
- Pārliecinieties, ka griešanas uzgalis ir pareizi uzstādīts un droši nostiprināts.
- Nekad nedarbiniet iekārtu, ja vien visi aizsargi, deflektori un rokturi nav pareizi un droši nostiprināti.
- Pārskatiet apkārtni, kurā strādājat. Atbrīvojiet darba zonu no vadiem, zariem, akmeņiem un būvgružiem, kas, iedarbinot griezēju, var tikt izvaidīti.

AUKLAS TRIMMERA DROŠĪBAS BRĪDINĀJUMI

- Neļaujiet šo iekārtu lietot bērniem vai cilvēkiem, kuri nav izlasījuši šīs instrukcijas.



- Lietojiet izstrādājumu dienas gaismā vai labā mākslīgā apgaismojumā.
- Nelietojiet ierīci slapjā zālē.
- Visu laiku stāviet stingri un stabili.
- Lietojot šo precī, netaigājiet atmuguriski.
- Ejiet, nekādā gadījumā neskrīeniet.
- Nejaujiet nepiederošām personām, ir īpaši bērniem un mājdzīvniekiem, tuvoties darba zonai tuvāk par 15 m.
- Turiet griešanas uzgali zem jostasvietas līmeņa.
- Nekad nedarbiniet izstrādājumu ar bojātiem vai bez uzstādītiem aizsargiem.
- Nekad nepielāgojiet metāla aizvietotāja auklu.
- Turiet rokas un kājas tālāk no griezējdaļām visu laiku un īpaši, kad tiek ieslēgts motors.
- Uzmanieties, jo griezējelementi turpina rotēt arī pēc motora izslēgšanas.
- Uzmanieties no priekšmetiem, kas tiek izsvaidīti griešanas laikā. Pirms darba uzsākšanas atfriet darba zonu no maziem akmeņiem, grants un citiem svešiem priekšmetiem.
- Izslēdziet un atvienojiet no enerģijas avota pirms:
 - apkope
 - izstrādājuma atstāšana bez uzraudzības
 - preces tīrīšana vai nosprostojuma atbrīvošana
 - maināmi piederumi
 - ierīces pārbaude pēc sitiena pa priekšmetu
 - ja izstrādājums sāk neparasti vibrēt, pārbaudiet, vai tas nav bojāts
 - apkopes veikšana
- Mazais asmens, kas pievienots zāliena aizsargam, ir paredzēts jaunas pagarinātās auklas apgriešanai pareizā garumā, nodrošinot drošu un optimālu sniegumu. Tas ir ļoti ass, tāpēc neaiztieciet to, it īpaši, tīrot instrumentu.
- Vienmēr pārliecinieties, ka ventilācijas atveres ir tīras un neīrūmēm.
- Pārliecinieties, ka galvas uzgalis ir pareizi uzstādīts un droši nostiprināts.
- Pārbaudiet, vai visi aizsargi, noliecēji un rokturi ir pareizi un stingri piestiprināti.
- Nekādā veidā nepārveidojiet iekārtu, jo tas var palielināt ievainojuma gūšanas risku gan jums, gan citiem.
- Lietojiet tikai ražotāja piedāvāto rezerves griešanas auklu. Nelietojiet citus griešanas uzgāļus.
- Ir ticis ziņots, ka vibrācijas no rokas instrumentiem atsevišķos cilvēkos var veicināt kaiti, ko sauc par Reino sindromu. Simptomi var ietvert pirkstu tīnkšķēšanu, nejutīgumu un nobālēšanu, parasti aukstā laikā.
- Tiek uzskatīts, ka tradicionālie faktori, aukstums un mitrums, uzturs, smēķēšana un darba prakse sekmē šo simptomu attīstību. Operators var veikt pasākumus, lai iespējami samazinātu vibrācijas efektu:
 - Aukstā laikā ķermenim jābūt siltam. Darbinot ierīci, nēsājiet cimdus, lai rokas un plaukstu locītavas būtu siltas. Ir pētījumi, ka auksts laiks ir galvenais faktors, kas veicina Reino sindromu.
 - Ik pēc laika apturiet darbu un veiciet vingrinājumus,

kas uzlabo asins cirkulāciju.

- Strādājot jābūt biežiem pārtraukumiem. Ierobežojiet iedarbības ilgumu dienā.
- Ja jūs izjūtat kādu no šiem simptomiem, nekavējoties apturiet ierīces lietošanu un sazinieties ar ārstu par šiem simptomiem.

⚠ BRĪDINĀJUMS

Ilgstoša preces lietošana var radīt ievainojumus vai pasliktināt jau esošos. Ilgstoši lietojot jebkuru instrumentu, pārliecinieties, ka tiek veikti regulāri pārtraukumi.

TRANSPORTĒŠANA UN UZGLABĀŠANA

- Pirms uzglabāšanas vai transportēšanas apturiet iekārtu un ļaujiet tai atdzist.
- Notīriet visus svešķermeņus no izstrādājuma. Uzglabājiet to vēsā, sausā un labi vēdinātā vietā, kurai nevar piekļūt bērni. Neglabājiet to vietā, kur tuvumā atrodas korozīvas vielas, piemēram dārza darbos izmantojamās ķīmikālijas vai atsaldešanai domāta sāls. Neuzglabājiet ārpus telpām.
- Glabāšanas laikā vienmēr atvienojiet kabeli no strāvas avota un satiniet.
- Transportēšanas laikā nostipriniet iekārtu tā, lai tā nevarētu kustēties vai apkrīst, lai izvairītos no personu ievainošanas un iekārtas bojāšanas.

APKOPE

⚠ BRĪDINĀJUMS

Lietojiet tikai oriģinālās ražotāja rezerves daļas, piederumus un uzgāļus. Pretējā gadījumā var tikt radīti ievainojumi un parādīts slikts sniegums, kā arī var tikt anulēta garantija.

⚠ BRĪDINĀJUMS

Aptarnavimā atlikti būtina itin atidzīai, todėl rekomenduojame, kad techninē apžiūrā vykdytų kvalifikuotas specialistas. Techninei apžiūrai atlikti patariame gražinti prietaisą į artimiausią įgaliotą paslaugų teikimo tarnybą. Sugedusias detales keiskite tik originaliomis detalėmis.

- Pirms jebkādu apkopes darbību veikšanas atslēdziet elektroenerģijas padēvi, atvienojot kontaktdakšu no elektroītkla. Pirms atvienošanas no enerģijas avota pārliecinieties, vai slēdzis ir izslēgtā (Off) stāvoklī.
- Daudzus šajā lietotāja rokasgrāmatā aprakstītos regulēšanas un remontdarbus varat veikt pats. Lai veiktu citus remontdarbus, sazinieties ar pilnvarotu servisa darbinieku.
- Auklas nomaīņai izmantojiet tikai neilona šķiedras auklu ar diametru, kas norādīts šīs rokasgrāmatas specifiskāciju tabulā.
- Kad pagarināta jauna griešanas aukla, pirms



iedarbināšanas vienmēr atgrieziet precī tās parastajā darba stāvoklī.

- Pēc katras lietošanas reizes notīriet precī ar mīkstu, sausu drāniņu. Jebkura bojāta detaļa jānodod remontam vai nomaīgai pilnvarotā apkopes centrā.
- Regulāri pārbaudiet visus uzgriežņus, stiprinājumus un skrūves, lai pārliecinātos, ka tās ir cieši pievilkta un izstrādājums ir drošā darba stāvoklī.

PAREDZĒTAIS LIETOJUMS

Šis produkts ir paredzēts lietošanai tikai ārā.

Šī prece ir paredzēta zāles, mīkstu nezāļu un citas līdzīgas veģetācijas griešanai zemes vai aptuveni zemes līmenī. Griešanas plaknei jābūt aptuveni paralēlai zemes virsmai.

Izstrādājumu nedrīkst lietot dzīvzogu, krūmu vai cita apauguma griešanai vai cirpšanai, ja griešanas plakne nav paralēla zemes virsmai.

OBJEKTĪVIE RISKI

Pat tad, ja ierīce tiek lietota atbilstoši norādījumiem, joprojām nav iespējams pilnībā novērst atsevišķus riska faktorus. Lietošanas laikā var rasties šādas bīstamas situācijas, un lietotājam ir jāpievērš pastiprināta uzmanība, lai tās novērstu:

- Vibrācijas radīts ievainojums. Turiet instrumentu pie tam paredzētajiem rokturiem un ierobežojiet darba laiku un saskarsmi ar to.
- Saksarsme ar troksni var radīt dzirdes traucējumus. Valkājiet ausu aizsargu un ierobežojiet saksarsmi.

LABI IEPAZĪSTIET MOTORZĀGA UZBŪVI UN DARBĪBU!

Skatīt 94. lappusi

DAĻAS

1. Aizmugurējais rokturis
2. Mēlīte
3. Auklas aizturis
4. Strāvas vads
5. Priekšējā roktura turētājs
6. Priekšējais rokturis
7. Roktura regulēšanas grozāmā poga
8. Augšējā vārpsta
9. Teleskopiskā vārpsta
10. Rotējošā vārpsta
11. Apakšējā vārpsta
12. Pagriežamā poga
13. Drošības aizsargs
14. Reduktors
15. Augu aizsargs
16. Griešanas aukla
17. Spoles pārsegs
18. Atgriešanas asmens
19. Auklas atbrīvošanas poga
20. Cilpa
21. Spoles pārsega bloķēšanas poga
22. Spole

UZ PRECES ESOŠIE SIMBOLI



Pirms preces darbināšanas izlasiet un izprotiet visus norādījumus, ievērojiet visus brīdinājumus un drošības norādījumus.



Valkājiet acu aizsargaprīkojumu



Valkājiet ausu aizsargu.



Neizmantojiet asmeni(-ņus) uz preces.



Nepakļaujiet lietum vai mitriem apstākļiem.



Pirms apkopes veikšanas vai gadījumā, ja kabelis ir bojāts vai sagriezts, nekavējoties atvienojiet kontaktdakšu no elektrotīkla.



Sargieties no izmestiem vai lidojošiem priekšmetiem. Atturiet skatītājus drošā attālumā no izstrādājuma.



Sargieties no izmestiem vai lidojošiem priekšmetiem. Neļaujiet nepiederošām personām, it īpaši bērniem un mājdzīvniekiem, tuvoties darba zonai tuvāk par 15 m.



2. klases instruments, dubulta izolācija



Izlietotie elektroprodukti nedrīkst tikt izmesti kopā ar māsaimniecības atkritumiem. Lūdzu, nododiet tos attiecīgajās atk ār totas izmantošanas vietās. Sazinieties ar savu vietējo varas pārstāvi vai izplatītāju, lai noskaidrotu, kur iespējama atkārtota pārstrāde.



CE atbilstība






GOST-R atbilstība



Garantētais skaņas jaudas līmenis ir 96 dB.

Lai izskaidrotu risku, kas saistīti ar izstrādājumu, līmeni, paredzēti šādi norādījuma vārdi un jēdzieni.

Simbols	Signāls	Nozīme
	BĪSTAMI	Norāda draudošo bīstamo situāciju, kas, ja no tās neizvairās, var novest pie nāves vai nopietnas traumas.
	BRĪDINĀJUMS	Norāda potenciālo bīstamo situāciju, kas, ja no tās neizvairās, var novest pie nāves vai nopietnas traumas.
	UZMANĪBU	Norāda potenciālo bīstamo situāciju, kas, ja no tās neizvairās, var novest pie nelielas vai vidējas traumas.
	UZMANĪBU	Bez drošības brīdinājuma apzīmējuma Norāda uz situāciju, kas var radīt īpašuma bojājumus.

IKONAS ŠAJĀ ROKASGRĀMATĀ



Pievienojiet enerģijas avotam



Atvienojiet no enerģijas avota



Atsevišķi nopērkamās daļas vai piederumi



Izlietotie elektroprodukti nedrīkst tikt izmesti kopā ar mājtsaimniecības atkritumiem. Lūdzu, nododiet tos attiecīgajās atk ār tās izmantošanas vietās.



PIEZĪME:



BRĪDINĀJUMS

BENDRIEJI SAUGOS ĮSPĖJIMAI

⚠ ĮSPĖJIMAS

Būtina laikytis saugos reikalavimų naudojantis šiuo produktu. Dėl savo pačių ir šalia esančių asmenų saugumo, perskaitykite šias instrukcijas prieš pradėdami dirbti prietaisu. Išsaugokite šią instrukciją ateičiai.

⚠ ĮSPĖJIMAS

Šis elektrinis prietaisas nėra skirtas naudoti vaikams ar asmenims su silpnesniais fiziniiais, protiniais ar jutimo sugebėjimais. Vaikus reikia tinkamai prižiūrėti, kad nežaistų su elektros prietaisu.

⚠ ĮSPĖJIMAS

Kai kuriuose regionuose taisyklės riboja įrenginio naudojimą. Dėl patarimų kreipkitės į vietinės valdžios instituciją

APMOKYMAS

- Niekada neleiskite naudotis šiuo gaminiu vaikams ar asmenims, nesusipažinusiems su šiomis instrukcijomis. Vietos įstatymai gali apriboti įrengimo operatoriaus amžių.
- Atidžiai perskaitykite instrukcijas. Susipažinkite su visu prietaiso valdymu ir tinkamu naudojimu.
- Įsitinkinkite, kad 15 metrų atstumu nuo darbo zonos nėra pašalinių asmenų (ypač vaikų ir gyvūnų). Išjunkite mašiną, jei į darbo zoną kas nors įeitų.
- Niekada nedirbkite šiuo gaminiu, jei esate pavargę, sergate, vartojote alkoholio, narkotikų ar stiprių vaistų.
- Turėkite omenyje, kad operatorius arba vartotojas yra atsakingas už nelaimingus atsitikimus arba kitiems asmenims ar jų turtui sukeltą pavojų.

ELEKTROS SAUGA

- Elektrinio įrankio kištukai turi atitikti kištukinį lizdą. Niekada nekeiskite kištuko. Su įžemintais (įžeminimo) elektriniais įrankiais niekada nenaudokite kištukų adapterių. Nepakeisti kištukai ir atitinkantys lizdai sumažina elektros smūgio pavojų.
- Saugokitės, kad jis netyčia neužsvestų. Visada patikrinkite, ar jungiklis yra išjungimo (Off) padėtyje prieš įjungiant jį į maitinimo tinklą. Nenešiotkite gaminio su prijungtu laidu laikydami pirštą ant jungiklio.
- Stenkitės nesiliesti prie įžemintų ar įžeminimo paviršių (vamzdžių, radiatorių, grandinių / viryklių, šaldytuvų). Įžeminius savo kūną, padidės elektros smūgio pavojus.
- Įrenginio negalima laikyti lietuje ar drėgmėje. Į įrenginį patekęs vanduo padidina elektros smūgio pavojų.
- Elektros maitinimas turi būti paduodamas per prietaisą su srovės atjungimo (RCD), kurio išjungimo srovės riba neturi būti didesnė, nei 30 mA.
- Kiekvieną kartą prieš naudojant įrenginį, būtina patikrinti, ar nepažeistas maitinimo laidas. Pastebėjus pažeidimo požymių, laidą reikia pakeisti. Laidą gali

keisti tik įgaliotas techninio aptarnavimo centras. Naudojant, maitinimo laidą reikia išvynioti: susukti į ritę laidai gali perkaisti.

- Jei reikia jungti pailginimo laidą, patikrinkite, ar jis tinkamas naudojimui lauko sąlygomis ir juo gali tekėti srovė, reikalinga įrankio maitinimui. Prieš kiekvieną naudojimą, patikrinkite, ar pailginimo laidas nepažeistas ir būtinai išvyniokite, nes susukti į ritę laidai gali perkaisti. Pažeistų pailginimo laidų nereikia taisyti: juos reikia keisti tolygaus tipo laidais.
- Nenaudokite gaminio, jei elektros laidai apgadinti ar nusidėvėję.
- Jei maitinimo laidas ar prailginimo laidas naudojimosi metu būtų apgadintas, jį kuo skubiau išjunkite iš maitinimo lizdo. Nelieskite maitinimo laidų tol, kol neišjungsite maitinimo iš lizdo.
- Patikrinkite, ar maitinimo laidas tokioje padėtyje, kad jo nepažeis pjovimo įrankiai, ant jo nebus galima užlipti, suklupti ar kitaip pažeisti ar susižeisti.
- Niekada nekelkite ir neneškite gaminio už elektros laido.
- Niekada netraukite už maitinimo laido norėdami prietaisą išjungti iš maitinimo.
- Saugokite maitinimo laidą nuo karščio, alyvos ir aštrių briaunų.
- Patikrinkite ar maitinimo įtampa atitinka gaminio parametrus. Pavadinimo plokštelėje ant produkto nurodoma prietaiso įtampa. Niekada nejunkite produkto prie AC įtampos šaltinio, kurio skirtinga įtampa.
- Patikrinkite, ar jungiklis yra išjungimo (Off) padėtyje prieš išjungdami prietaisą iš maitinimo lizdo.

PARUOŠIMAS

- Naudodami šį įrenginį, dėvėkite pilną akių ir klausos apsaugą. Dirbant zonoje, kurioje gali kristi objektai, būtina dėvėti galvos apsaugos priemones.
- Klausos apsauga gali riboti operatoriaus gebėjimą išgirsti įspėjamuosius garsus, kreipti konkretų dėmesį į potencialius pavojus aplink darbo plotą ir pačiame plote.
- Dėvėkite ilgus storas kelnes, avėkite ilgus batus ir mūvėkite pirštines. Nedėvėkite laisvų nepriglundusių drabužių, šortų ir juvelyrinių dirbinių, dirbkite tik avėdami avalynę.
- Ilgus plaukus suriškite aukščiau pečių, priešingu atveju, jie gali įsipainioti į judančias įrankio dalis.
- Prieš naudodami įrenginį ir po bet kokie jo sutrenkimo patikrinkite, ar nėra pakenktų dalių. Nekokybišką jungiklį ar pakenktą arba susidėvėjusią dalį reikia tinkamai sutaisyti arba pakeisti. Dalis keisti gali tik įgaliotas techninio aptarnavimo centras.
- Patikrinkite, ar pjovimo įtaisas tinkamai sumontuotas ir pritvirtintas.
- Jokiu būdu nenaudokite įrenginio, jeigu nėra tinkamai sumontuoti ir pritvirtinti apsauginiai aptvarai, kreiptuvai ir rankenos.
- Prieš pradėdami naudoti elektrinius įrankius atidžiai apžiūrėkite darbo aplinką. Darbo plote negali mėtytis laidai, pagaliai, akmenys ir nuolaužos, kurie, įstrigę pjovimo įtaise, iš jo „iššauka“.

LYNINIO TRIMERIO SAUGOS PERSPĖJIMAI

- Niekada neleiskite naudotis šiuo įrankiu vaikams ar asmenims, nesusipažinusiems su šiomis instrukcijomis.
- Naudokite šį gaminį dienos šviesoje ar esant geram dirbtiniam apšvietimui.
- Venkite naudoti ant drėgnos žolės.
- Visada tvirtai stovėkite ir išlaikykite pusiausvyrą.
- Pjaudami, neikite atbulomis.
- Visada eikite, niekada nebėkite.
- Įsitikinkite, kad 15 metrų atstumu nuo darbo zonos nėra pašalinių asmenų (ypač vaikų ir gyvūnų).
- Pjovimo įtaisą laikykite žemiau juosmens.
- Niekada nedirbkite šiuo gaminiu, jei apgadintos apsaugos arba jei apsaugos gumužėtos.
- Nenaudokite metalinių juostų.
- Prieš įjungdami variklį nestovėkite per arti žoliapjovės, saugokite rankas ir kojas.
- Būkite atsargūs: išjungus variklį, pjovimo dalys kurį laiką dar sukasi.
- Saugokitės iš pjovimo įtaiso „iššaunamų“ objektų. Prieš pradėdami darbą, iš darbo ploto pašalinkite nuolaužas, tokias kaip nedideli akmenukai, žvyras ir kiti pašaliniai daiktai.
- Išjunkite prietaisą iš atjunkite maitinimą prieš:
 - aptarnavimas
 - gaminio palikimas be priežiūros
 - įrenginio valymas arba kamščių naikinimas
 - priedų keitimas
 - patikrinkite, ar prietaisas neapgadintas po sutrenkimo į kitą daiktą
 - patikrinkite šį gaminį dėl apgadinimo, jei jis pradeda nejprastai vibruoti
 - techninės priežiūros atlikimas
- Maža geležtė, pritaisyta prie vejos apsauginio aptvaro, skirta reikiama ilgiu apkarpyti išlindusias ataugas, kad būtų saugu ir gražu. Ji labai aštri: nepalieskite jos valydami įrankį.
- Visada patikrinkite, ar ventiliavimo angos nėra užsikūlusios atliekomis.
- Patikrinkite, ar galvutės įtaiso tinkamai sumontuotas ir pritvirtintas.
- Patikrinkite, ar visos apsaugos, deflektoriai, rankenos tinkamai ir patikimai pritvirtintos.
- Jokiu būdu nemodifikuokite įrenginio: gali padidėti pavojus susižeisti patiems bei sužeisti kitus.
- Keitimui naudokite tik gamintojo pjovimo lyną. Nenaudokite jokio kito pjovimo įtaiso.
- Turime pranešimų, kad vibracija nuo ranka laikomų įrankių kai kuriems asmenims gali turėti neigiamos įtakos vystantis Raynaud sindromui. Šios ligos požymiai yra pirštų dilgčiojimas, nutripimas ir pabalimas, paprastai pasireiškiantis nuo šalčio.
- Šie simptomai vystosi dėl paveldimų veiksnių, nesisaugant nuo šalčio ir drėgmės, dėl mitybos, rūkymo ir darbo praktikos. Operatorius gali imtis šių priemonių, kurios gali sumažinti vibracijos poveikį:

- Apsirenkite kuo šilčiau šaltu oru. Dirbant šiuo prietaisu mūvėkite pirštines, kad plaštakos ir riešai būtų laikomi šilčiau. Turime pranešimų, kad Raynaud sindromas labiausiai vystosi nuo šalto oro sąlygų.
 - po darbo kiekvieną kartą pasportuokite, kad pagerėtų kraujo apytaka;
 - dažnai darykite darbo pertraukas. Apribokite darbo laikotarpį per dieną.
- Jei jums pasireiškia kokie nors šios būklės simptomai, nedelsdami nutraukite darbą ir kreipkitės į gydytoją.

⚠ ĮSPĖJIMAS

Ilgiau naudojant, įrankis kelia sužeidimų pavojų ir apsunkina darbą. Ilgiau naudojant įrankius, reikia reguliariai daryti pertraukas.

GABENIMAS IR LAIKYMAS

- Prieš padėdami į sandėlį ar gabendami, sustabdykite įrenginį ir leiskite jam atšalti.
- Nuo įrankio nuvalykite visas pašalines medžiagas. Laikykite vėsiroje, sausoje, gerai vėdinamoje ir vaikams nepasiekiamoje vietoje. Nelaikykite jo arti nuo tokių koroziją sukeliančių reagentų kaip cheminės sodininkystės medžiagos arba druskos, naudojamos prieš apledėjimą. Nelaikykite lauke.
- Prietaisą laikykite visada išjungę iš maitinimo lizdo ir suvynioję laidą.
- Ruošdami gabenimui, nejudamai pritvirtinkite įrenginį, kad gabenant nenukristų ir nesužeistų žmonių arba nesugestų pats.

PRIEŽIŪRA

⚠ ĮSPĖJIMAS

Keitimui naudokite tik originalias gamintojo atsargines dalis. Neoriginalios dalys gali būti sužeidimų ir įrenginio blogo veikimo priežastis, ir dėl to gali būti anuliuotas garantinis pažymėjimas.

⚠ ĮSPĖJIMAS

Aptarnavimą atlikti būtina itin atidžiai, todėl rekomenduojame, kad techninę apžiūrą vykdytų kvalifikuotas specialistas. Techninei apžiūrai atlikti patariame gražinti prietaisą į artimiausią įgaliotą paslaugų teikimo tarnybą. Sugedusias detales keiskite tik originaliomis detalėmis.

- Prieš atliekant remonto darbus, išjunkite elektros maitinimą ištraukdami kištuką iš tinklo lizdo. Patikrinkite, ar jungiklis yra išjungimo (Off) padėtyje prieš išjungdami prietaisą iš maitinimo lizdo.
- Prietaisą galite reguliuoti ir remontuoti, kaip aprašyta šiame vadove. Dėl kitų remonto darbų kreipkitės į įgaliotą techninio aptarnavimo centrą.
- Pakaitui naudokite tik nailono lyną, kurio skersmuo nurodytas šio vadovo specifikacijų lentelėje.

- Ištiesus naują pjovimo įtaiso lyną, prieš pradėdami darbą, reikia būtinai gražinti įrenginį į jo įprastą darbo padėtį.
- Po kiekvieno naudojimo, išvalykite įrenginį sausu švelnaus audinio gabalėliu. Bet kurią apgadintą detalę leidžiama remontuoti arba keisti tik autorizuosime aptarnavimo centre.
- Dažnai tikrinkite visas varžles, varžtus ir sraigtus, ar jie tvirtai laikosi ir ar gaminyje yra saugios darbo būklės stovyje.

NAUDOJIMO PASKIRTIS

Šis prietaisas skirtas naudoti tik lauke.

Įrenginys skirtas pjauti žolę, smulkesnes piktžoles ir kitą panašią neaukštą augmeniją. Pjovimo plokštuma turi būti maždaug lygiagreti žemės paviršiui.

Produkto negalima naudoti pjauti ar apkarpyti gyvatvora, krūmus ar kitus augalus, kai pjovimo plokštuma nėra lygiagreti žemės paviršiui.

ŠALUTINIAI PAVOJAI

Netgi prietaisą naudojant pagal jo paskirtį visų šalutinių rizikos veiksmų visiškai pašalinti neįmanoma. Gali kilti toliau nurodyti pavojai, todėl operatorius turi būti itin dėmesingas, kad išvengtų šių dalykų:

- Vibracijos sukeltas sužalojimas. Laikykite įrankį už rankenų ir apribokite darbo laiką bei poveikio trukmę.
- Ilgai būnant triukšme, galima pakenkti klausai. Dėvėkite akių apsaugą ir ribokite poveikio trukmę.

IŠSIMOKYKITE PAŽINTI SAVO GRANDININĮ PJŪKLĄ.

Žr. 94 psl.

DALYS

1. Galinė rankena
2. Perjungiklis
3. Laido fiksatorius
4. Maitinimo laidas
5. Priekinės rankenos laikiklis
6. Priekinė rankena
7. Rankenėlės reguliavimo mygtukas
8. Viršutinis strypas
9. Teleskopinis žiedas
10. Sukamasis žiedas
11. Apatinis velenas
12. Pagrindinis nustatymo mygtukas
13. Saugos apsauginis aptvaras
14. Kraštų apijpaustymo ratukas
15. Augalų apsauginis įtaisas
16. Pjovimo valas
17. Ritės dangtelis
18. Nupjovimo geležtė
19. Juostos atleidimo mygtukas
20. Kilpelė
21. Ritės dangtelio užrakinimo mygtukas
22. Ritė

SIMBOLIAI ANT ĮRENGINIO



Prieš naudodami įrenginį, atidžiai perskaitykite instrukcijas, laikykitės įspėjimų ir saugos nurodymų.



Dėvėkite apsauginius akinius



Dėvėkite klausos apsaugą.



Nenaudokite geležtės (-čių) ant įrenginio.



Nenaudoti lyjant ar esant drėgnoms sąlygoms.



Prieš atlikdami priežiūros darbus arba jei laidas pažeistas ar įpjautas, nedelsiant ištraukite kištuką iš maitinimo šaltinio.



Saugokitės išmetamų arba skrendančių objektų.

Įsitinkinkite, kad atstumas tarp gaminio ir pašalinių asmenų yra saugus.



Saugokitės išmetamų arba skrendančių objektų. Įsitinkinkite, kad 15 metrų atstumu nuo darbo zonos nėra pašalinių asmenų (ypač vaikų ir gyvūnų).



II klasės įrankis, dviguba izoliacija



Elektrinių produktų atliekos neturi būti metamos kartu su namų ūkio atliekomis. Prašome perdirbkite jas ten, kur yra tokios perdirbimo bazės. Dėl perdirbimo patarimo kreipkitės į savo vietinę savivaldybę ar pardavėją.



CE suderinimas






GOST-R suderinimas



Garantuotas garso galios lygis yra 96 dB.

Šie signaliniai žodžiai yra skirti nurodyti su prietaiso naudojimu susijusio pavojaus lygį.

Simboliai	Signalas	Reikšmė
	PAVOJUS	Reiškia ypač pavojingą padėtį, kurios neišvengus bus patirti sunkūs ar net mirtini sužeidimai.
	ĮSPĖJIMAS	Reiškia potencialiai pavojingą situaciją, kurios neišvengus galimi sunkūs ar net mirtini sužeidimai.
	ATSARGIAI	Reiškia potencialiai pavojingą situaciją, kurios neišvengus galimi lengvi ar vidutinio sunkumo sužeidimai.
	ATSARGIAI	Be įspėjamųjų simbolių Reiškia nuosavybės žalos tikimybę.

ŽENKLAI ŠIOJE INSTRUKCIJOJE



Pajunkite į maitinimo lizdą



Išjunkite iš maitinimo lizdo



Detalės arba priedai yra parduodami atskirai



Elektrinių produktų atliekos neturi būti metamos kartu su namų ūkio atliekomis. Prašome perdirbkite jas ten, kur yra tokios perdirbimo bazės.



PASTABA:



ĮSPĖJIMAS

OHUTUSE ÜLDEESKIRJAD

⚠ HOIATUS

Seadme kasutamisel tuleb järgida ohutusreegleid. Teie ja kõrvalseisjatele ohutuse tagamiseks lugege käesolevad juhised enne seadme kasutamist läbi. Hoidke juhend edaspidiseks kasutamiseks alles.

⚠ HOIATUS

Seade ei ole ette nähtud kasutamiseks laste või nende isikute poolt, kellel on piiratud füüsilised, vaimsed või sensoorsed võimed. Laste järele tuleb piisavalt valvata, et nad seadmega ei mängiks.

⚠ HOIATUS

Mõnedes piirkondades on seadused, mis piiravad selle toote kasutamist. Lisateavet saate kohalikest omavalitsusest

VÄLJAÕPE

- Ärge laske toodet kasutada lastel või inimestel, kes ei ole käesoleva juhendiga tutvunud. Kohalike regulatsioonid võivad seada kasutaja vanusele piiranguid.
- Lugege juhised hoolikalt läbi. Õppige tundma kõiki seadme juhtseadiseid ja kasutusnõudeid.
- Hoidke kõik kõrvalseisjad, eriti lapsed ja lemmikloomad tööalalt vähemalt 15 meetri kaugusele. Kui keegi tööpiirkonda siseneb, siis lõpetage töötamine.
- Ärge kasutage toodet väsinuna või haigena ega siis, kui olete uimastite, alkoholi või ravimite mõju all.
- Pidage meeles, et operaator või kasutaja on vastutav õnnetuste või ohuolukordade eest, mis võivad puudutada teisi inimesi või nende vara.

ELEKTROHUTUS

- Elektritööriistade pistikud peavad pistikupespa sobima. Ärge püüdke pistiku konstruktsiooni mingil moel muuta. Ärge ühendage maanduskontaktiga (kordusmaandusega) elektritööriistu elektrivõrku läbi vahepistmike. Pistiku ja pistikupespa konstruktsiooni muutmise korral tekib elektrilöögi oht.
- Vältige soovimatut käivitumist. Enne toitejuhtme ühendamist veenduge alati, et toitelüliti on väljalülitatud asendis „OFF”. Ärge kandke toitega ühendatud toodet sõrme lülilil hoides.
- Hoiduge kehalisest kontaktist maandatud pindadega, näiteks torud, radiaatorid, elektriliidid ja külmikud. Kehaosade maandamisel suureneb elektrilöögi saamise oht.
- Ärge jätke seadet vihma kätte või märga kohta. Vee sattumisel seadme sisemusse suureneb elektrilöögi saamise oht.
- Elektriline tööriist tuleb ühendada vooluvõrku läbi rikkevoolu-kaitSELüliti (RCD), mille rakendamisvoolu tugevus on maksimaalselt 30 mA.

- Enne iga kasutuskorda kontrollige toitejuhe üle vigastuste suhtes. Kui on vigastumise märke, tuleb see asendada pädeva elektriku poolt. Kerige toitejuhe alati lahti, sest kokku keeratud juhe võib üle kuumeneda.
- Kui teil on vaja kasutada pikendusjuhet, veenduge et see on välistingimuste jaoks sobiv ja teie tööriista jaoks piisava ristlõikega ning kontrollige see enne iga kasutuskorda vigastuste suhtes üle ja kerige alati lahti, sest kokku keeratud juhe võib üle kuumeneda. Ärge hakake vigastatud pikendusjuhet parandama, vaid asendage teise sobivat tüüpi juhtmega.
- Kui kahtlustate, et elektrijuhe on mingil moel vigastada saanud, siis ärge toodet kasutage.
- Kui toitejuhe või pikendusjuhe saab kasutamise ajal vigastada, ühendage seade toitevõrgust kohe välja. Ärge puudutage elektrijuhtmeid enne, kui toide on lahti ühendatud.
- Veenduge, et toitejuhe asetseb nii, et see ei saa teravate esemete sisselõike tõttu vigastada, sellele ei saa peale astuda, komistada ja see ei saa mingil muul viisil vigastada ega sattuda tõmbepinge alla.
- Ärge kunagi tõstke või kandke toodet juhtmest hoides.
- Ärge kunagi ühendage toitejuhet lahti sellest tõmmates.
- Hoidke toitejuhe eemal kuumusest, õlist ja teravatest servadest.
- Veenduge, et võrgupinge vastab tootel kasutatavale pingele. Toote tehasesildil on näidatud kasutatav pingevoltides. Ärge mingil juhul ühendage seadet AC-võrku, millel on sellest erinev ping.
- Enne toitejuhtme lahtiühendamist veenduge, et lüliti on asendis "OFF".

ETTEVALMISTUSTOIMINGUD

- Kandke selle seadme kasutamisel kaitseprille ja kõrvaklappe. Töötamise kohtades, kus on allakukkivate esemete oht, tuleb kanda kiivrit.
- Kuulmiskaitse võib piirata kasutaja võimet kuulda hoiatussignaale, seetõttu pöörake tähelepanu tööpiirkonnas ja selle ümbruses olevatele ohtudele.
- Kandke tugevast niidest pikki pükse, saapaid ja kindaid. Ärge kandke avarat riietust, lühikesi pükse, mistahes liiki ehteid ega käige paljajalu.
- Kinnitage pikad juuksed õlgadest kõrgemale, et vältida nende takerdumist liikuvate osade vahele.
- Enne töötamise alustamist kontrollige, et seadme osad ei ole vigastatud. Vigastatud lüliti ja vigastatud osad tuleb lasta pädeval hooldajal hooldada või asendada.
- Veenduge, et lõikeorgan on õigesti paigaldatud ja kindlalt kinnitatud.
- Ärge hakake masinat enne kasutama, kui olete veendunud, et kõik kaitseid, suunajad ja käepidemed on õigesti ja ohutult kinnitatud.
- Hinnake keskkonda, kus töotate. Hoidke töökoht vaba traatidest, vaiadest, kividest ja prahist, mis võivad lõikeorganiga kokku puutudes välja paiskuda.

JÕHVTRIMMERI OHUTUSEESKIRJAD

- Ärge laske seadet kasutada lastel või inimestel, kes ei ole käesoleva juhendiga tutvunud.



- Kasutage toodet päevalguse või hea tehisolguse korral.
- Vältige märjas rohus kasutamist.
- Hoidke end pidevalt jalgedel ja tasakaalus.
- Ärge liikuge seadme kasutamisel selg ees.
- Töötamisel kõndige, ärge kunagi jooksk.
- Hoidke kõik kõrvalseisjad, eriti lapsed ja lemmikloomad tööalalt vähemalt 15 meetri kaugusele.
- Hoidke löikepead allapoole vööd.
- Ärge kunagi kasutage toodet kui kaitse on vigastatud või ei ole oma kohale paigaldatud.
- Ärge paigaldage metallist asendustera.
- Hoidke jalad ja käed alati eemal löikepeast ja eriti siis, kui lülitate mootori sisse.
- Ettevaatust! Lõiketera liigub edasi ka siis, kui mootor on välja lülitatud.
- Hoidke eemale löikeorgani poolt ülespaisatud esemete eest. Enne töö alustamist puhastage tööpiirkond väikestest kividest, kruusast ja muust lahtisest materjalist.
- Lülitage seade välja või ühendage vooluvõrgust lahti enne kui teete järgmist:
 - teenindamine
 - toote jätmisel järelvalveta
 - puhastamine ja ummistuse kõrvaldamine
 - lisatarvikute vahetamine
 - kõikide vigastuste ülekontrollimine pärast lööki mõne eseme vastu
 - kõikide vigastuste ülekontrollimine kui toode hakkab ebanormaalselt vibreerima
 - hooldustööde tegemine
- Väike lõiketera, mis on kinnitatud suunaja külge, on ette nähtud vastpaigaldatud jõhvi lõikamiseks õigesse mõõtu, et tagada ohutus ja tootlus. See on väga terav, ärge seda puhastamise ajal puudutage.
- Veenduge, et ventilatsioonivad on kogu aeg prahist puhtad.
- Veenduge, et löikepea on õigesti paigaldatud ja kindlalt kinnitatud.
- Veenduge, et kõik kaitse, suunajad ja käepidemed on õigesti ja ohutult kinnitatud.
- Ärge muutke masina konstruktsiooni mingil moel, sellega suurendate iseenda ja kõrvalseisjate kehavigastuste ohtu.
- Kasutage ainult tootja poolt tarnitud jõhvi. Ärge kasutage mingit muud löikeorganiit.
- Teadaolevalt võib käsitööriistade kasutamine põhjustada mõnedel inimestel seisundit, mida nimetatakse Raynaud' sündroomiks. Sümptomidena võib ilmneda sõrmede tuimus ja valkjaks muutumine, mis tavaliselt ilmneb külmas töötamisel.
- Nende sümptomite puhul tuleb hoiduda külmast ja niiskusest, dieedist ning suitsetamisest ja kasutada õiged tööõtteid. Vibratsiooni mõju vähendamiseks tuleb rakendada järgmisi abinõusid.
 - Külma ilmaga hoidke oma keha soe. Kandke kindaid, et hoida oma käed ja randmed soojad. Uuringud näitavad, et Raynaud's Syndrome ilmneb

põhiliselt külma ilmaga.

- Pärast külmas töötamist tehke harjutusi, et verearvustust kiirendada.
 - Tehke regulaarselt töövaheaegaid. Piirake tööperioodi pikkust.
- Kui ilmnevad haigustunnused, lõpetage kohe töö ja pöörduge arsti poole.

⚠ HOIATUS

Seadme pikaajalisel kasutamisel võite saada kehavigastusi ja varasemad vigastused võivad süveneda. Seadme kasutamisel pika aja jooksul tuleb teha korralisi vaheaegaid.

TRANSPORTIMINE JA HOIUSTAMINE

- Enne hoiale paneku või teisaldamise alustamist seisake mootor.
- Puhastage seade kõikidest võõrkehast. Hoidke kuivas ja hästi ventileeritud kohas, mis on lastele juurdepääsmatu. Hoidke ketsaagi eemal söövitavatest ainetest nagu aiakemikaalid ja jäätõrjevahendid. Ärge hoiustage õues.
- Hoiustamise ajaks ühendage seade toitevõrgust välja ja kerige juhe kokku.
- Vedamise ajal tõkestage masin liikuma hakkamise ja alla kukkumise vastu, et vältida kehavigastusi ja masinaosade kahjustamist.

HOOLDUS

⚠ HOIATUS

Kasutage ainult tootja originaalvaruosi, tarvikuid ja tööorganeid. Selle nõude eiramine võib põhjustada, kehavigastuse, tootluse languse ja teile antud garantiitühistamise.

⚠ HOIATUS

Hooldamine nõuab ülimalt korrashoidu ja teadmisi ning tuleks teostada ainult kvalifitseeritud hooldustehnikute poolt. Hoolduseks soovime me viia toote remontimiseks lähimasse või lit atud teenind uskesse . Kui hooldate, kasutage ainult identseid varuosi.

- Enne mingite hooldusoperatsioonide tegemist lülitage toide pistiku väljavõtmisega lahti. Enne toitejuhtme lahtiühendamist veenduge, et lüliti on asendis "OFF".
- Lubatud on teha ainult selles kasutusjuhendis kirjeldatud reguleerimis- ja parandustoiminguid. Muude remonditööde tegemiseks võtke ühendust volitatud hooldajaga.
- Asendusjõhvina kasutage vaid sellise läbimõõduga nailonjõhvi, mida on esitatud selle kasutusjuhendi tehniliste andmete tabelis.
- Pärast uue trimmerjõhvi paigaldamist seadke trimmer enne käivitamist tavatõasendisse.



- Pühkige trimmer pärast iga kasutuskorda pehme kuiva lapiga puhtaks. Vigastatud osad tuleb lasta pädeval hooldajal parandada või asendada.
- Kontrollige kõiki mutreid, polte ja kruvisid sagedaste intervallidega õige pinguloleku suhtes, et veenduda toote ohutus töökorras olemises.

OTSTARBEKOHANE KASUTAMINE

See toode on ette nähtud kasutamiseks vaid väljaspool ruume.

See seade on ette nähtud rohu, kerge umbrohu ja sarnaste taimede lõikamiseks maapinnal või selle lähedal. Lõiketasapind peab olema maapinnaga ligikaudu paralleelne.

See seade ei ole ette nähtud hekkide, pöösaste või muude taimede lõikamiseks lõiketasapinnas, mis ei ole maapinnaga paralleelne.

JÄÄKRISKID

Isegi siis, kui masinat kasutatakse kirjeldatud viisil, ei ole võimalik kõrvaldada kõiki jääkriskide mõjureid. Töötamise ajal võivad tekkida järgmised ohud, millele operaator peab pöörama erilist tähelepanu.

- Vibratsioonist põhjustatud kehavigastus. Hoidke tööriista kinni selleks ette nähtud käepidemetest ja piirake tööaega ning vibratsiooniga kokkupuudet.
- Tugev müra võib põhjustada kuulmiskahjustuse. Kandke kuulmiskaitsevahendeid ja piirake müraga kokkupuudet

TUNDKE OMA TÖÖRIISTA.

Vt leht 94.

SEADME OSAD

1. Tagumine käepide
2. Päästik
3. Juhtmekinniti
4. Toitejuhe
5. Eesmise käepideme kinnitusklamber
6. Eesmine käepide
7. Käepideme reguleerimutter
8. Ülemine vars
9. Teleskoopikendi muhv
10. Pöördasendi muhv
11. Alumine vars
12. Pöördenupp
13. Kaitsekate
14. Servamisratas
15. Taimetarve kaitse
16. Lõikejõhv
17. Pooli kate
18. Mahalõiketera
19. Jõhvi vabastusnupp
20. Jõhvi silm
21. Pooli kate lukustusnupp
22. Jõhvi pool

MASINAL OLEVAD SÜMBOLID



Enne seadmega töö alustamist lugege kõik juhised hoolikalt läbi ja pidage kinni hoiatustest ja ohutusega seotud juhistest.



Kandke silmakaitsevahendeid



Kasutage kõrvaklappe.



Ärge kasutage seadmel lõiketera(sid).



Ärge jätke vihma kätte või kasutage niiskes kohas.



Kui seadme toitejuhe on vigastatud või sellel on sisselõige, siis ühendage pistik vooluvõrgust enne parandamist kohe lahti.



Hoiduge ülespaisatud ja lendavate esemete eest. Hoidke kõrvalseisjad tootest ohutus kauguses.



Hoiduge ülespaisatud ja lendavate esemete eest. Hoidke kõik kõrvalseisjad, eriti lapsed ja lemmikloomad tööalalt vähemalt 15 meetri kaugusele.



Tööriista klass II, topeltisolatsiooniga



Mittekasutatavaid elektritooteid ei tohi visata olmejäätmete hulka. Vaid tuleb viia vastavasse kogumispunkti. Vajadusel küsige sellekohast nõu oma edasimüüjalt või vastavalt kohaliku omavalitsuse institutsioonilt.



CE vastavus






GOST-R vastavus



Garanteeritud helivõimsuse tase on 96 dB.

Järgnevad märguandesõnad ja tähendused on mõeldud selle toote kasutamiseiga seotud riskitasemete kirjeldamiseks.

Sümbol	Signaalsõna	Tähendus
	OHT.	Viitab kohe tekkivale ohtlikule situatsioonile, mis, kui ei väldita, lõpeb surma või tõsise vigastusega.
	HOIATUS	Viitab võimalikule ohtlikule situatsioonile, mis, kui ei väldita, võib lõppeda surma või tõsise vigastusega.
	ETTEVAATUST	Viitab võimalikule ohtlikule situatsioonile, mis, kui ei väldita, võib lõppeda väiksemate või keskmiste vigastusega.
	ETTEVAATUST	Ilma hoiatussümbolita Osutab olukorrale, mis võib põhjustada varakahju.

KASUTUSJUHEKINDIS KASUTATAVAD IKOONID



Ühendage pistikupesassa



Võtke pistikupesast välja



Eraldi ostetavad osad või tarvikud



Mittekasutatavaid elektritooteid ei tohi visata olmejäätmete hulka. Vaid tuleb viia vastavasse kogumispunkti.



MÄRKUS.



HOIATUS

OPĆA SIGURNOSNA PRAVILA

⚠ UPOZORENJE

Prilikom korištenja proizvoda moraju se slijediti sigurnosna pravila. Radi vaše i sigurnosti ostalih promatrača, molimo vas da prije rada s proizvodom pročitate ove upute. Molimo vas da čuvate ove upute radi kasnijeg korištenja.

⚠ UPOZORENJE

Ovaj električni alat nije namijenjen za korištenje od strane djece ili osoba sa smanjenim fizičkim, psihičkim ili mentalnim mogućnostima. Djecu je potrebno odgovarajuće nadzirati kako bi se osiguralo da se ne igraju s proizvodom.

⚠ UPOZORENJE

Neke regije imaju pravila koja ograničavaju korištenje proizvoda. Provjerite kod lokalnih tijela za savjet

OBUKA

- Nikada nemojte dopustiti korištenje ovog proizvoda djeci ili osobama koje nisu upoznate s ovim uputama. Moguće je da lokalni propisi propisuju starosnu dob rukovatelja.
- Pažljivo pročitate upute. Upoznajte se sa svim kontrolama i pravilnim korištenjem trimera za ogradu.
- Držite sve promatrače, naročito djecu i kućne ljubimce na udaljenosti ne manjoj od 15 m od radnog područja. Zaustavite uređaj ako bilo tko uđe u područje rada.
- Nemojte raditi s proizvodom kad ste umorni, bolesni ili pod utjecajem alkohola, droga ili lijekova.
- Imajte na umu da je rukovatelj ili korisnik odgovoran za nezgode ili opasnosti koje nastanu drugim osobama ili njihovoj imovini.

ELEKTRIČNA SIGURNOST

- Utikači električnog alata moraju odgovarati utičnici. Nikada nemojte modificirati utikače ni na koji način. Nemojte koristiti nikakve adapter utikače s uzemljenim električnim alatima. Originalni utikači i odgovarajuće utičnice smanjuju opasnost od strujnog udara.
- Izbjegavajte nehотиčno pokretanje alatke. Prije uključivanja alata u napajanje uvijek provjerite je li prekidač u položaju Off (Isključeno). Ne nosite proizvod priključen na struju s prstom na prekidaču.
- Izbjegavajte kontakt tijela s uzemljenim površinama poput cijevi, radijatora, štednjaka i hladnjaka. Ako je vaše tijelo uzemljeno, povećava se opasnost od strujnog udara.
- Nemojte uređaj izlagati kiši ili vlažnim uvjetima. Ulazak vode u uređaj povećava opasnost od strujnog udara.
- Napajanje treba biti putem FID sklopke (RCD uređaj) s proradnom strujom ne većom do 30 mA.
- Prije svakog korištenja, provjerite kabel za napajanje na oštećenje. Ako postoje znakovi oštećenja, mora ga

zamijeniti ovlašteni servisni tehničar. Uvijek odmotajte kabel za napajanje tijekom korištenja, namotani kabel može se ugrijeti.

- Ako trebate produžni kabel, osigurajte da je prikladan za korištenje na otvorenom i da ima dovoljan kapacitet za napajanje alata, prije svakog korištenja provjerite za oštećenje i uvijek odmotajte tijekom korištenja jer se namotani kabel može pregrijati. Oštećene produžne kabele ne treba popravljati, treba ih zamijeniti s odgovarajućim tipom.
- Nemojte koristiti proizvod ako su električni kabeli oštećeni ili istrošeni.
- Ako se kabel napajanja ili produžni kabel ošteti tijekom korištenja, odmah ga odspojite iz napajanja. Nemojte dodirivati električne kabele dok napajanje nije isključeno.
- Provjerite je li kabel za napajanje pravilno pozicioniran tako da ne može biti oštećen rezanjem i da se na njega ne može stati, zapeti ili drugim predmetima oštetiti ili naprezati.
- Nikada ne podižite ili nosite proizvod za električni kabel.
- Nikada ne povlačite za kabel kako biste ga odspojili iz napajanja.
- Držite kabel za napajanje podalje od topline, ulja i oštih rubova.
- Provjerite da li je točno napajanje za vaš proizvod. Nazivna pločica na proizvodu naznačuje napon jedinice. Nikada ne priključite proizvod na AC napon koji se razlikuje od ovog napona.
- Prije isključivanja iz napajanja provjerite je li prekidač u položaju Off (isključeno).

PRIPREMA

- Kada radite s ovim proizvodom nosite zaštitu za oči i sluh. Ako radite u području gdje postoji opasnost od padajućih predmeta, morate nositi zaštitu za glavu.
- Zaštita za sluh može ograničiti sposobnost operatera da čuje zvukove upozorenja, obratite posebnu pozornost na moguće opasnosti u okolini i unutar radnog područja.
- Nosite hlače s dugim nogavicama, čizme i rukavice. Nemojte nositi široku odjeću, kratke hlače, sandale, nakit bilo kakve vrste ili dodati bosonogi.
- Osigurajte dugu kosu na način da je iznad razine ramena kako biste spriječili zahvaćanje u bilo koje pokretne dijelove.
- Prije korištenja i nakon svakog udara provjerite da nema oštećenih dijelova. Prekidač u kvaru ili bilo koji dio da je oštećen ili istrošen trebali biste pravilno popraviti ili zamijeniti od strane ovlaštenog servisnog centra.
- Provjerite da li je priključak za rezanje pravilno instaliran i čvrsto pritegnut.
- Nikada ne radite s uređajem ako svi štitnici, deflektori i ručke nisu pravilno i čvrsto priključeni.
- Razmotrite okoliš u kome radite. Radno područje držite čistim od žica, štapova, kamenja i ostataka koji ako se zaglave mogu postati leteći predmeti.

SIGURNOSNA UPOZORENJA ZA TIMER

- Nikada nemojte dopustiti korištenje ovog uređaja djeci ili osobama koje nisu upoznate s ovim uputama.
- Koristite proizvod po dnevnom svjetlu ili pri dobroj vještačkoj rasvjeti.
- Izbjegavajte koristiti na mokroj travi.
- Cijelo vrijeme držite pravilno uporište i ravnotežu.
- Kada koristite proizvod ne hodajte unatrag.
- Hodajte, nemojte trčati.
- Držite sve promatrače, naročito djecu i kućne ljubimce na udaljenosti ne manjoj od 15 m od radnog područja.
- Držite priključak za rezanje ispod razine pojasa.
- Nikada nemojte raditi s proizvodom s oštećenim štitnicima ili bez postavljenih štitnika.
- Nikada ne stavljajte metal umjesto silka.
- Sve vrijeme držite ruke i noge podalje od sredstva za šišanje, a posebno kada se uključuje motor.
- Imajte na umu da se rezni elementi nastavljaju okretati nakon što je motor isključen.
- Čuvajte se odbačenih predmeta od flaksa. Očistite malene ostatke poput kamenčića, grumena i drugih stranih predmeta iz radnog područja prije rada.
- Ugasite i isključite iz napajanja prije:
 - servisiranje
 - ostavljanje proizvoda bez nadzora
 - čišćenje proizvoda ili čišćenje blokada
 - promjena dodatnog pribora
 - provjerite za bilo kakvo oštećenje nakon odbacivanja predmeta
 - provjerite za bilo kakvo oštećenje ako proizvod počne abnormalno vibrirati
 - izvođenje održavanja
- Mala oštrica postavljena na štitniku kosilice namijenjen je za rezanje novog proizvedenog flaksa na točnu duljinu radi sigurnosti i optimalne učinkovitosti. Vrlo je oštra, ne dodirujete je posebice kada čistite alat.
- Osigurajte da su ventilacijski otvori uvijek čisti od krhotina.
- Provjerite da li je pogonska glava pravilno instalirana i čvrsto pritegnuta.
- Osigurajte da su svi štitnici, deflektori i ručke pravilno i čvrsto priključeni.
- Ne modificirajte uređaj na bilo koji način, ovo može povećati opasnost od ozljeda za vas i druge.
- Koristite samo proizvođačevu zamjenski flaks. Nemojte koristiti nikakav drugi priključak za rezanje.
- Prijavljeno je da vibracije alata koje se drži u ruci kod određenih pojedinaca mogu doprinijeti stanju pod nazivom Raynaud's Syndrome. Simptomi mogu uključivati trnce, ukočenost i bjelinu prstiju, obično uočljivo po izlaganju hladnoći.
- Smatra se da nasljedne osobine, izlaganje hladnoći i vlazi, dijeta, pušenje i radni postupci pridonose razvoju ovih simptoma. Postoje mjere koje operator može poduzeti kako bi smanjio moguće učinke vibracije:
 - Održavajte svoje tijelo toplim u hladnim vremenskim

uvjetima. Kad radite s uređajem nosite rukavice kako biste ruke i zglobove održavali toplima. Prijavljeno je da je hladnoća glavni čimbenik koji doprinosi Raynaud's Syndrome.

- Nakon svakog perioda rada vježbajte kako biste povećali cirkulaciju krvi.
 - Uzimajte česte stanke u radu. Ograničite količinu izlaganja po danu.
- Ako osjetite neke od simptoma ovog stanja, odmah prekinite korištenje i obratite se svome liječniku vezano uz ove simptome.

⚠ UPOZORENJE

Povrede mogu biti uzrokovane ili zadobivene produljenim korištenjem alata. Kada koristite bilo koji alat dulje vremena, osigurajte da uzimate povremene stanke.

PRIJEVOZ I SKLADIŠTENJE

- Zaustavite uređaj i omogućite mu da se ohladi prije skladištenja ili prijevoza.
- Očistite svaki strani materijal s uređaja. Skladištite ga na suhom i dobro ventiliranom mjestu koje nije pristupačno djeci. Nemojte ju ostavljati u blizini korozivnih agenasa kao ni vrtnih kemijskih proizvoda i soli za odmrzavanje. Ne ostavljajte na otvorenom.
- Za skladištenje uvijek isključite napajanje i namotajte kabal.
- Za prijevoz, osigurajte uređaj protiv pomicanja ili pada kako biste spriječili povrede osoba ili oštećenja na uređaju.

ODRŽAVANJE

⚠ UPOZORENJE

Koristite samo originalne zamjenske dijelove, dodatni pribor i priključke od proizvođača. Nepoštivanje ovih uputa može dovesti do mogućih ozljeda, loše učinkovitosti i može dovesti do poništenja jamstva.

⚠ UPOZORENJE

Servisiranje iziskuje krajnju pažnju i znanje i treba da ga vrši samo kvalificirani serviser. Za servisiranje mi vam preporučamo da odnesete proizvod u najbliži ovlašten servisni centar radi opravke. Prilikom servisiranja koristiti identične zamjenske dijelove.

- Prije izvođenja bilo kakvih postupaka održavanja, isključite električno napajanje isključivanjem utikača iz glavnog napajanja. Prije isključivanja iz napajanja provjerite je li prekidač u položaju Off (isključeno).
- Možete izvršiti podešavanja i popravke koji su opisani u ovom priručniku. Za druge popravke, obratite se ovlaštenom servisnom agentu.
- Za zamjenski flaks koristite samo najlonski flaks promjera koji je opisan u tablici specifikacija u priručniku.

- Nakon produljenja novog flaksa prije uključivanja uvijek proizvod vratite u njegov uobičajeni radni položaj.
- Nakon svakog korištenja proizvod obrišite sa suhom mekom krpom. Svaki oštećeni dio trebao bi pravilno popraviti ili zamijeniti ovlašteni servisni centar.
- Često provjeravajte sve matice i zavrtnje da li su dobro pritegnuti kako biste bili sigurni da je proizvod u sigurnom radnom stanju.

NAMJENA

Ovaj uređaj namijenjen je samo za korištenje na otvorenom. Ovaj proizvod namijenjen je za rezanje trave, sitnog korova i slične vegetacije na ili oko razine tla. Ravnina rezanja treba približno biti paralelna s površinom tla.

Proizvod se ne smije koristiti za rezanje ili obrezivanje živica, žbunja ili druge vegetacije gdje površina rezanja nije paralelna s površinom tla.

OSTALE OPASNOSTI:

Čak i kad je uređaj korišten kao što je prethodno opisano, još uvijek nije moguće potpuno isključiti ostale čimbenike opasnosti. Može doći do sljedećih opasnosti prilikom korištenja i operater mora obratiti posebnu pozornost kako bi izbjegao sljedeće:

- Ozljede uzrokovane vibracijom. Držite alat za označene ručke i ograničite radno vrijeme i izloženost.
- Izlaganje buci može izazvati povredu sluha. Nosite zaštitu za sluh i ograničite izloženost

UPOZNAJTE VAŠU MOTORNJU PILU.

Pogledajte stranicu 94.

DIJELOVI

1. Stražnja ručica
2. Sklopka za pokretanje
3. Držač kabela
4. Kabel za napajanje
5. Držač prednje ručke
6. Prednja ručka
7. Gumb za podešavanje ručke
8. Gornja osovina
9. Teleskopska spojnica
10. Okretna spojnica
11. Donja osovina
12. Gumb za usmjeravanje
13. Štitnik
14. Kotač za oblikovanje
15. Štitnik bilja
16. Flaks
17. Poklopac kalema
18. Oštrica za rezanje
19. Gumb za otpuštanje flaksa
20. Mali otvor za flaks
21. Gumb za zaključavanje poklopca kalema
22. Kalem

SIMBOLI NA PROIZVODU



Pročitajte i razumite sve upute prije rada s proizvodom, slijedite sva upozorenja i sigurnosne upute.



Nosite sredstva za zaštitu očiju



Nosite sredstva za zaštitu sluha.



Nemojte koristiti oštrice na proizvodu.



Ne izlažite kiši ili vlažnim uvjetima.



Ako je kabel oštećen ili prerezan odmah uklonite utikač iz utičnice prije održavanja.



Čuvajte se odbačenih ili letećih predmeta. Čuvajte promatrače na sigurnoj udaljenosti od proizvoda.



Čuvajte se odbačenih ili letećih predmeta. Držite sve promatrače, naročito djecu i kućne ljubimce na udaljenosti ne manjoj od 15 m od radnog područja.



Alat II razreda s dvostrukom izolacijom



Otpadni električni proizvodi ne treba da se odlažu s otpadom iz domaćinstva. Molimo da recikirate gdje je to moguće. Potražite savjet od lokalnih vlasti ili prodavca kako reciklirati.



Sukladno CE






Sukladno GOST-R



Jamčena razina zvučne snage 96 dB.

Slijedeće riječi upozorenja i značenja imaju namjeru da objasne nivo rizika u vezi s ovim proizvodom.

Simbol	Signal	Značenje
	OPASNOST	Ukazuje na neposrednu opasnu situaciju, koja, ukoliko se ne izbjegne, može rezultirati smrću ili opasnim povredama
	UPOZORENJE	Ukazuje na moguću opasnu situaciju, koja, ukoliko se ne izbjegne, može rezultirati smrću ili opasnim povredama
	UPOZORENJE	Ukazuje na moguću opasnu situaciju, koja, ukoliko se ne izbjegne, može rezultirati manjim ili blažim povredama
	UPOZORENJE	Bez sigurnosnog simbola upozorenja Naznačuje situaciju koja može rezultirati oštećenjem imovine.

IKONE U OVOM PRIRUČNIKU



Priključite u utičnicu za napajanje



Isključite iz utičnice za napajanje



Dijelovi ili pribor prodan odvojeno



Otpadni električni proizvodi ne treba da se odlažu s otpadom iz domaćinstva. Molimo da recikirate gdje je to moguće.



NAPOMENA:



UPOZORENJE

SPLOŠNA VARNOSTNA OPOZORILA

⚠ OPOZORILO

Med uporabo stroja upoštevajte varnostna navodila. Za svojo varnost in varnost drugih oseb preberite ta navodila pred uporabo izdelka. Prosimo, shranite ta navodila za kasnejšo rabo.

⚠ OPOZORILO

To električno orodje ni namenjeno za uporabo s strani otrok ali oseb z zmanjšanimi fizičnimi, duševnimi ali senzoričnimi zmožnostmi. Otroke nenehno ustrezno nadzorujte, da se ne bodo igrali z električnim orodjem.

⚠ OPOZORILO

Predpisi nekaterih regij omejujejo uporabo tega izdelka. Za nasvet se obrnite na lokalne oblasti

URJENJE

- Izdelka nikoli ne smejo uporabljati otroci ali osebe, ki niso seznanjene z navodili za uporabo. Lokalni predpisi se morda nanašajo tudi na minimalno starost upravitelja.
- Pazljivo preberite navodila. Seznanite se s krmilnimi elementi in pravilno uporabo naprave.
- Prisotni, še posebej otroci in živali, naj bodo med obratovanjem oddaljeni vsaj 15m od delovnega območja. Če kdorkoli vstopi v delovno območje, zaustavite napravo.
- Izdelka nikoli ne uporabljajte, če ste utrujeni, bolni ali pod vplivom alkohola oziroma drog.
- Pomnite, da je upravitelj oz. uporabnik odgovoren za nesreče ali nevarnosti, ki se pripetijo ostalim ljudem ali njihovi lastnini.

ELEKTRIČNA VARNOST

- Vtiči električnih orodij se morajo prilegati vtičnicam. Vtiča nikoli in na noben način ne smete spreminjati. Z ozemljenimi električnimi orodji ne uporabljajte adapterjev vtiča. Nespremenjeni vtiči in ustrezne vtičnice zmanjšajo tveganje električnega udara.
- Izogibajte se nenamernemu zaganjanju naprave. Preden orodje priklopite na napajanje, preverite, ali je stikalo v položaju OFF (IZKLOP). Ne nosite vklopljenega izdelka s prstom na stikalu.
- Izogibajte se telesnemu stiku z ozemljenimi površinami, kot so cevi, radiatorji, kuhalniki in hladilniki. Če je vaše telo ozemljeno, obstaja povečano tveganje električnega udara.
- Izdelka ne izpostavljajte dežju ali vlažnim pogojem. Voda, ki vstopi v napravo, zviša tveganje za električni udar.
- Napajanje naprave mora imeti napravo za rezidualni tok (RCD), tok naj ne presega 30 mA.
- Pred vsako uporabo preverite, če je napajalni kabel poškodovan. Če obstajajo znaki poškodb, morajo

zamenjavo opraviti na pooblaščenem servisu. Kadar izdelek uporabljate, vedno odvijte napajalni kabel; zaviti kabli se lahko pregrejejo.

- Če potrebujete podaljševalni kabel, se prepričajte, da je primeren za uporabo na prostem in da njegova kapaciteta zadostuje za napajanje vašega orodja; pred vsako uporabo preverite, ali je morda poškodovan, in ga vedno med uporabo odvijte, saj je zaviti kabli lahko pregrejejo. Poškodovane podaljševalne kable ne smete popravljati, temveč jih zamenjajte s kablom enakovredne vrste.
- Če opazite, da so električni kabli poškodovani ali obrabljeni, izdelka ne uporabljajte.
- Če se napajalni kabel ali podaljšek med uporabo poškodujeta, ju takoj odklopite iz napajanja. Ne dotikajte se električnih kablov, dokler napajanje ni izključeno.
- Prepričajte se, da je napajalni kabel napeljan tako, da ga rezila ne morejo poškodovati in da nanj nič ali nihče ne more pasti, stopiti, se obeni spotakniti ali ga kakor koli poškodovati.
- Izdelka nikoli ne dvigujte in ne prenašajte za električni kabel.
- Ko odstranjujete vtiaka iz vtičnice, nikoli ne vlecite za napajalni kabel.
- Kabel držite proč od vročine, olja ali ostrih robov.
- Prepričajte se, da napetost ustreza izdelku. Imenska ploščica na izdelku prikazuje napetost naprave. Nikoli ne priklopljajte izdelka na izmenično napetost, drugačno od navedene.
- Prepričajte se, da je stikalo v položaju OFF (IZKLOP), preden izključite napajanje.

PRIPRAVA

- Pri uporabi izdelka vedno nosite popolno zaščito za oči in sluh. Pri delu na območju, kjer obstaja tveganje za padajoče predmete, morate nositi zaščito za glavo.
- Zaščita za sluh lahko poslabša zmožnost upravitelja, da bi slišal opozorila, zato bodite posebej pozorni na potencialne nevarnosti na delovnem območju in okoli njega.
- Nosite trdne, dolge hlače, čevlje in rokavice. Ne nosite ohlapnih oblačil, kratkih hlač, nakita, niti ne bodite bos.
- Dolge lase si spnite nad rameni in tako preprečite, da bi se ujeli v premikajoče se dele.
- Pred uporabo in po vsakem udarcu se prepričajte, da ni poškodovanih delov. Okvarjeno stikalo ali drug del, ki je poškodovan ali obrabljen, morate ustrezno popraviti ali zamenjati pri pooblaščenem serviserju.
- Prepričajte se, da je rezalna glava ustrezno nameščena in trdno pritrjena.
- Naprave nikoli ne uporabljajte, če varovala, deflektorji in ročajji niso pravilno in trdno pritrjeni.
- Pazite na okolje, v katerem delate. Na delovnem območju ne sme biti žic, palic, kamenja ali drugih predmetov, ki bi lahko leteli naokrog, če bi jih zadel rezalnik.

VARNOSTNA OPOZORILA ZA KOSILNICO

- Naprave nikoli ne smejo uporabljati otroci ali osebe, ki niso seznanjene z navodili za uporabo.
- Uporabljajte izdelek pri dnevni svetlobi ali dobri umetni svetlobi.
- Ne uporabljajte v mokri travi.
- Pazite, da stojite stabilno in da imate ravnotežje.
- Kadar uporabljate ta izdelek, ne hodite vzvratno.
- Vedno hodite, nikoli ne tecite.
- Prisotni, še posebej otroci in živali, naj bodo med obratovanjem oddaljeni vsaj 15m od delovnega območja.
- Rezalni del imejte nenehno pod višino pasu.
- Izdelka nikoli ne uporabljajte, če je varovalo poškodovano ali če ni nameščeno.
- Nikoli ne nameščajte kovinske nadomestne nitke.
- Roke in noge stalno držite proč od rezalnih delov, še posebej ko izklapljate motor.
- Pazite! Po izklopu motorja se ostri elementi še naprej vrtijo.
- Pazite na predmete, ki jih odmetava rezalni del. Z delovnega območja odstranite ostanke, kot so kamenčki, gramoz in drugi tujki, preden začnete z delom.
- Ugasnite in izključite električno napajanje, preden:
 - servisiranje
 - pustiti izdelek brez nadzora
 - čiščenje izdelka in odpravljanje blokade
 - menjava dodatkov
 - preverjanje glede poškodb, ko zadenete predmet
 - preverjanje glede poškodb, če izdelek začne neobičajno vibrirati
 - vzdrževanje
- Majhno rezilo, nameščeno na ščitnik za travo, je namenjeno za to, da predolgo vrstico odrežete na primerno dolžino in tako zagotovite varno in optimalno delovanje. Je zelo ostro, zato se ga ne dotikajte, zlasti ne pri čiščenju orodja.
- Poskrbite, da bodo prezračevalne odprtine vedno proste.
- Prepričajte se, da je glava ustrezno nameščena in trdno pritrjena.
- Prepričajte se, da so vsa varovala, deflektorji in ročajji pravilno in trdno pritrjeni.
- Naprave na noben način ne spreminjajte, saj bi s tem povečali tveganje za poškodbe sebe in tretjih oseb.
- Uporabljajte le originalno nadomestno rezalno vrstico. Ne uporabljajte nobenih drugih rezalnih pripomočkov.
- Ugotovljeno je bilo, da lahko pri nekaterih posameznikih vibracije ročnih orodij povzročijo Raynaudov sindrom. Simptomi so lahko mravljinci, otrplost in pobelbeli prsti, kar je običajno vidno, kadar je oseba izpostavljena mrazu.
- Dedni dejavniki, izpostavljenost mrazu in vlagi, dieta, kajenje in delovne navade naj bi pripomogle k razvoju teh simptomov. Za zmanjšanje učinkov vibracij lahko upravljavec upošteva naslednja navodila:

- Poskrbite, da bo vaše telo na mrazu toplo. Med upravljanjem nosite rokavice in tako ohranjajte toploto vaših dlani in zapestij. Kot poročajo, je mraz glavni dejavnik, ki prispeva k Raynaudovemu sindromu.
- Po vsakem obdobju upravljanja naprave telovadite in tako pospešite krvni obtok.
- Pogosto si vzemite odmor. Omejite dnevno količino izpostavljenosti.
- Če zaznavate kakršne koli simptome takšnega stanja, takoj prenehajte z uporabo naprave in se o simptomih posvetujte z zdravnikom.

⚠ OPOZORILO

Daljša uporaba orodja lahko privede do poškodb ali pa so poškodbe lahko hujše. Kadar orodje uporabljate dalj časa, si večkrat vzemite odmor.

TRANSPORT IN SHRANJEVANJE

- Ustavite napravo in pustite, da se ohladi, preden jo shranite ali prevažate.
- Očistite vse tujke z izdelka. Shranite jo na suhem in dobro prezračenem mestu, ki ni na dosegu otrok. Hranite proč od jedkih sredstev, kot so kemikalije za vrtnarjenje in soli za odmrzovanje. Ne shranjujte na prostem.
- Pred shranjevanjem vedno izključite iz napajanja in zvijte kabel.
- Pri transportiranju napravo zavarujte tako, da se ne bo premikala ali padla, in tako preprečite poškodbe oseb ali naprave.

VZDRŽEVANJE

⚠ OPOZORILO

Uporabljajte le originalne rezervne dele in dodatke, ki jih priporoča proizvajalec. V nasprotnem primeru naprava lahko slabo deluje, povzroči poškodbe, garancija pa ne velja več.

⚠ OPOZORILO

Servisiranje zahteva posebno pozornost in znanje in naj jo zato opravlja samo izurjeni servisni tehnik. Servisiranje in popravila izdelka vam priporočamo pri vašem najbližjem pooblaščenem servisnem centru. Pri servisiranju uporabljajte le identične nadomestne dele.

- Pred izvajanjem vzdrževalnih del prekinite električno napajanje, tako da vtičnik izvlečete iz glavnega omrežja. Prepričajte se, da je stikalo v položaju OFF (IZKLOP), preden izključite napajanje.
- Opravljati smete le nastavitve in popravila, ki so opisana v teh navodilih za uporabo. Za ostala popravila se obrnite na pooblaščenega serviserja.
- Za nadomestno nitko uporabljajte le nitko iz najlonskih vlaken s premerom, ki je naveden v tabeli s

specifikacijami v teh navodilih.

- Po menjavi rezalne vrvice vedno preklopite napravo v normalno delovno stanje, preden jo znova zaženete.
- Po vsaki uporabi izdelek očistite z mehko in suho krpo. Vsak poškodovani del mora ustrezno popraviti ali zamenjati pooblaščen servisni center.
- Pogosto preverjajte, ali so vse matice in vijaki dobro priti in tako zagotovite varno delovno stanje izdelka.

NAMEN UPORABE

Izdelek je namenjen izključno zunanji uporabi.

Izdelek je namenjen za košenje trave, plevela in podobnega rastlinja talne rasti. Rezilna raven mora biti približno vzporedna tlom.

Izdelka se ne sme uporabljati za obrezovanje živih mej, grmovja ali drugega rastlinja, kjer obrezovalna raven ni vzporedna s tlemi.

REZIDUALNA TVEGANJA:

Tudi če napravo uporabljate tako, kot je predpisano, ni mogoče popolnoma odpraviti določenih preostalih dejavnikov tveganja. Med uporabo se lahko pojavijo naslednje nevarnosti, upravljalavec pa naj bo pozoren na sledeče:

- Poškodbe zaradi vibracij. Orodje držite za temu namenjene ročaje ter omejite čas uporabe in izpostavljenosti.
- Izpostavljenost hrupu lahko povzroči poškodbo sluha. Nosite zaščito za sluh in omejite izpostavljenost

SPOZNAJTE SVOJE ORODJE.

Glejte stran 94

DELI

1. Zadnji ročaj
2. Sprožilec
3. Držalo kabla
4. Napajalni kabel
5. Sprednji ročaj
6. Sprednji ročaj
7. Gumb za prilagoditev ročice
8. Zgornja cev
9. Teleskopski obroč
10. Vrtljivi obroč
11. Spodnja gred
12. Tečajni gumb
13. Varovalo
14. Kolo za obrezovanje robov
15. Ščitnik za rastline
16. Rezilna nitka
17. Pokrov vretena
18. Rezilo
19. Gumb za sprostitve nitke
20. Vstavitevna odprtina
21. Gumb za zaklepanje vretena
22. Vreteno

SIMBOLI NA IZDELKU



Pred uporabo izdelka morate prebrati in razumeti vsa navodila, upoštevati vsa opozorila in varnostne napotke.



Nosite zaščito za oči



Nosite zaščito za sluh.



Ne uporabljajte rezil na izdelku.



Ne izpostavljajte ga dežju ali vlagi.



Pred vzdrževanjem oziroma če je kabel poškodovan ali prerezan, takoj izvlcite vtič iz glavnega omrežja.



Pazite na izvržene ali leteče predmete. Gledalci naj bodo na varni razdalji od izdelka.



Pazite na izvržene ali leteče predmete. Prisotni, še posebej otroci in živali, naj bodo med obratovanjem oddaljeni vsaj 15m od delovnega območja.



Orodje razreda II, dvojna izolacija



Odpadne električne izdelke odlagajte skupaj z ostalimi gospodinjstvi odpadki. Reciklažo opravljajte na predpisanih mestih. Za reciklažni nasvet se obrnite na lokalne oblasti.



Skladnost CE



Skladnost GOST-R



Zajamčena raven zvočne moči je 96 dB.

Sledeče signalne besede in pomeni naj bi pojasnili ravni tveganja, ki so povezane s tem izdelkom.

Simbol	Znamenje	Pomen
--------	----------	-------



NEVARNOST

Označuje neizbežno tvegano stanje, ki če se ji ne izognete lahko povzroči smrt ali resno poškodbo.



OPOZORILO

Označuje morebitno tvegano stanje, ki če se ji ne izognete lahko povzroči smrt ali resno poškodbo.



POZOR

Označuje morebitno tvegano stanje, ki če se mu ne izognete lahko povzroči manjšo ali srednje resno poškodbo.

POZOR

Brez simbola za varnostno opozorilo Prikazuje situacijo, ki lahko povzroči materialno škodo.

IKONE V TEM PRIROČNIKU



Priključite v vtičnico



Izključite iz vtičnice



Deli ali dodatki so na prodaj ločeno



Odpadne električne izdelke odlagajte skupaj z ostalimi gospodinjskimi odpadki. Reciklažo opravljajte na predpisanih mestih.



OPOMBA:



OPOZORILO

VŠEOBECNÉ BEZPEČNOSTNÉ VÝSTRAHY

⚠ VAROVANIE

Pri používaní tohto produktu sa musia dodržiavať bezpečnostné zásady. Pre vašu vlastnú bezpečnosť a bezpečnosť okolostojacich osôb si pred použitím produktu prečítajte tento návod. Odložte si tento návod na neskoršie použitie.

⚠ VAROVANIE

Toto elektrické zariadenie nie je určené na použitie deťmi alebo osobami so zníženými fyzickými, duševnými alebo zmyslovými schopnosťami. Deti musia byť pod primeraným dozorom, aby sa nemohli s elektrickým nástrojom hrať.

⚠ VAROVANIE

Niektoré regióny majú nariadenia, ktoré obmedzujú použitie produktu. Poradte sa s miestnym úradom

ŠKOLENIE

- Produkt nikdy nedovoľte používať deťom alebo osobám neoboznámeným s návodom na použitie. Miestne platné predpisy môžu obmedzovať dobu použitia kosačky.
- Pozorne si prečítajte pokyny. Oboznáňte sa so všetkými ovládacími prvkami a správnym používaním nástroja.
- Všetky okolostojace osoby (najmä deti a domáce zvieratá) musia stáť minimálne 15 m od pracoviska. Ak nejaká osoba vstúpi do pracovného priestoru, zastavte stroj.
- Nikdy nepoužívajte produkt, keď ste unavení, chorí alebo pod vplyvom, alkoholu, drog alebo liekov.
- Užívateľ alebo obsluha stroja sú zodpovední za nehody alebo škody na majetku a za nebezpečenstvo vzniknuté pri prevádzke stroja.

ELEKTRICKÁ BEZPEČNOSŤ

- Zástrčky mechanického nástroja musia zodpovedať zásuvke. Zástrčku nikdy žiadnym spôsobom neupravujte. S uzemnenými mechanickými nástrojmi nepoužívajte rozvodné zásuvky. Použitím neupravených zástrčiek a zodpovedajúcich zásuviek sa znižuje riziko úrazu elektrickým prúdom.
- Dbajte na to, aby nedochádzalo k neúmyselnému spusteniu. Pred zapojením nástroja do elektrickej siete vždy skontrolujte, či je spínač vo vypnutej polohe. Neprenášajte zapojený produkt s prstom nachádzajúcim sa na spínači.
- Vyhýbajte sa telesnému kontaktu s uzemnenými povrchmi, napríklad rúrami, radiátormi, sporákmi a chladničkami. Ak je vaše telo uzemnené, hrozí vysoké riziko úrazu elektrickým prúdom.
- Produkt nevystavujte dažďu ani mokrému prostrediu. Voda, ktorá vnikne do zariadenia, zvyšuje riziko úrazu

elektrickým prúdom.

- Elektrické napájanie musí byť privádzané cez zariadenie pre zvyškový prúd s vypinacím prúdom maximálne 30 mA.
- Pred použitím skontrolujte napájací kábel, či nie je poškodený. Pri akýchkoľvek známkach poškodenia ich musí vymeniť autorizovaný servisné centrum. Pri použití vždy odviňte napájací kábel, lebo zvinuté káble sa môžu prehrievať.
- Ak potrebujete použiť predĺžovací kábel, dbajte na to, aby bol vhodný na použitie v exteriéri a mal prúdovú kapacitu dostatočnú na napájanie vášho nástroja, pred každým použitím ho skontrolujte, či nie je poškodený a vždy ho pri použití odviňte, lebo zvinuté káble sa môžu prehrievať. Poškodené predĺžovacie káble sa nesmú opravovať, ale vymeniť za ekvivalentný typ.
- Produkt nepoužívajte, ak sú elektrické káble poškodené alebo opotrebované.
- Ak sa napájací kábel alebo predĺžovací kábel pri používaní poškodia, okamžite ich odpojte z elektrickej siete. Nedotýkajte sa elektrických káblov, kým predtým neodpojíte elektrickú sieť.
- Dbajte na to, aby bol napájací kábel umiestnený tak, aby ho nebolo možné poškodiť prerazaním, aby naň nikto nestúpil, nezakopol oň, ani ho inak nepoškodil alebo nenamáhal.
- Produkt nikdy nezdvíhajte ani neprenášajte za elektrický kábel.
- Nástroj nikdy neodpájajte z elektrickej siete ťahaním za napájací kábel.
- Napájací kábel nedávajte do blízkosti tepla, oleja alebo ostrých okrajov.
- Skontrolujte, či je napätie správne pre váš produkt. Firemný štítok na produkte uvádza napätie jednotky. Zariadenie nikdy nepripájajte k striedavému napätiu inému, ako je uvedené napätie.
- Pred odpojením z elektrickej siete skontrolujte, či je spínač vo vypnutej polohe.

PRÍPRAVA

- Pri práci s týmto zariadením používajte chrániče zraku a sluchu. Pri práci v priestore, kde existuje riziko pádu predmetov, používajte ochranu hlavy.
- Tepelná ochrana môže obmedziť schopnosť obsluhujúceho počuť výstražné zvuky, venovať primeranú pozornosť nebezpečenstvám v okolí pracoviska i na ňom.
- Noste hrubé a dlhé nohavice, topánky a rukavice. Nenoste voľné pohodlné oblečenie, krátke nohavice, bižutériu žiadneho druhu, ani nepracujte bosí.
- Dlhé vlasy zaisťte, aby boli nad úrovňou pliec a nedošlo tak k ich zamotaniu do pohyblivých dielov.
- Pred použitím a po každom náraze skontrolujte, či nie sú nejaké diely poškodené. Chybný spínač či akýkoľvek iný diel, ktorý je poškodený alebo opotrebovaný, je potrebné náležite opraviť alebo vymeniť v autorizovanom servisnom zariadení.
- Skontrolujte, či je rezný nástavec správne namontovaný a bezpečne upnutý.



- Nikdy zariadenie nepoužívajte, pokiaľ nie sú všetky kryty, odchyľovače a rukoväte bezpečne nasadené.
- Berte ohľad na prostredie, v ktorom pracujete. Z pracoviska odstráňte všetky drôty, paličky, drievka, kamene a sutinu, ktoré by sa mohli pri zásahu nožom vymrštiť.

DRÔTOVÝ OREZÁVAČ – BEZPEČNOSTNÉ VÝSTRAHY

- Nástroj nikdy nedovoľte používať deťom alebo osobám neoboznámeným s návodom na použitie.
- Produkt používajte za denného svetla alebo pri dobrom umelom osvetlení.
- Nepoužívajte na mokrej tráve.
- Neustále zachovávajte pevnú oporu nôh a rovnováhu.
- Pri používaní produktu nekráčajte dozadu.
- Choďte krokom, nikdy nebežte.
- Všetky okolostojace osoby (najmä deti a domáce zvieratá) musia stáť minimálne 15 m od pracoviska.
- Rezný nástavec udržiavajte pod úrovňou pásu.
- Nikdy nepoužívajte produkt, ktorý má poškodené kryty alebo keď kryty nie sú nasadené.
- Nikdy nenasadzujte kovový náhradný drôt.
- Neustále, najmä pri zapínaní motora, držte ruky a nohy mimo dosahu rezných prostriedkov.
- Pozor, rezné prvky pokračujú v otáčaní aj po vypnutí motora.
- Pozor na objekty vymrštené rezným nástrojom. Pred začatím práce odstráňte z pracoviska kamienky, štrk a ostatné cudzie predmety.
- Vypnite a odpojte z elektrickej siete, pred:
 - servis
 - ponechanie produktu bez dozoru
 - čistenie produktu alebo odstránenie upchatia
 - výmena príslušenstva
 - skontrolujte akékoľvek poškodenie po zásahu objektom
 - skontrolujte akékoľvek poškodenie, ak produkt začne neštandardne vibrovať
 - vykonávanie údržby
- Malé ostrie nasadené na kryt na trávnik slúži na orezávanie vysúvacieho vlákna na správnu dĺžku za účelom bezpečnej a optimálnej prevádzky. Je veľmi ostré, nedotýkajte sa ho, najmä pri čistení nástroja.
- Vždy skontrolujte, či vetracie otvory nie sú upchaté úložkami.
- Skontrolujte, či je nástavec s hlavou správne namontovaný a bezpečne upnutý.
- Skontrolujte, či sú všetky kryty, odchyľovače a rukoväte bezpečne nasadené.
- Zariadenia žiadnym spôsobom neupravujte, inak zvýšite riziko poranenia – vás alebo iných osôb.
- Používajte len náhradné rezné vlákno výrobcu. Nepoužívajte žiadne iné rezné nástavce.
- Boli hlásené prípady, kedy vibrácie z ručných nástrojov u niektorých osôb prispeli k stavu nazývanému Raynaudov syndróm. K symptómom patria: trpnutie,

zrecitlivenie a blednutie prstov, zvyčajne zjavné po vystavení zime.

- Je známe, že k vývoju týchto symptómov prispievajú: dedičné faktory, vystavovanie zime a vlhkosti, diéta, fajčenie a pracovné návyky. Opatrenia, ktoré môže vykonať obsluhujúca osoba na možné zníženie účinkov vibrácií:
 - V studenom počasí udržiavajte svoje telo v teple. Pri práci so zariadením noste rukavice, aby ste mali ruky a zápästia v teple. Boli hlásené prípady, kedy hlavným faktorom prispievajúcim k Raynaudovmu syndrómu bolo studené počasie.
 - Po každom určitom časovom úseku prevádzky cvičte, aby ste zlepšili krvný obeh.
 - Počas práce si doprajte časté prestávky. Obmedzte počet vystavení za deň.
- Ak zistíte ktorýkoľvek zo symptómov tohto stavu, okamžite prerušte používanie zariadenia, navštívte svojho lekára a povedzte mu o symptómoch.

VAROVANIE

Pri dlhodobom alebo zvýšenom používaní môže dôjsť k zraneniam. Pri používaní nástroja príliš dlhé obdobia si vždy doprajte pravidelné prestávky.

PREPRAVA A SKLADOVANIE

- Pred uskladnením alebo prepravou zastavte zariadenie a nechajte ho vychladnúť.
- Odstráňte zo zariadenia všetky cudzie materiály. Odložte ho na suché a dobre vetrané miesto, na ktoré nemajú prístup deti. Náradie neuskladňujte v blízkosti žieravých látok, ako napríklad v blízkosti záhradníckych chemických prípravkov alebo solí na zimný posyp komunikácií. Neskladujte v exteriéri.
- Pred skladovaním vždy odpojte od elektrickej siete a naviňte kábel.
- Pri preprave zaistite zariadenie pred pohybom alebo pádom, aby nedošlo k poraneniu osôb alebo poškodeniu zariadenia.

ÚDRŽBA

VAROVANIE

Používajte len originálne náhradné diely, príslušenstvo a nástavce výrobcu. V opačnom prípade môže dôjsť k možnému poraneniu, nedostatočnému výkonu a strate platnosti záruky.

VAROVANIE

Údržba vyžaduje extrémnu starostlivosť a znalosti, a musí byť prevádzkaná výhradne v autorizovanom servise. Z dôvodu servisu vám odporúčame vrátiť výrobok do najbližšieho autorizovaného servisného centra na opravu. Ak výrobok opravujete, používajte iba rovnaké originálne náhradné diely.



- Pred vykonávaním akýchkoľvek operácií údržby vždy odpojte napájanie odpojením zástrčky z elektrickej siete. Pred odpojením z elektrickej siete skontrolujte, či je spínač vo vypnutej polohe.
- Môžete vykonávať úpravy a opravy popísané v tejto príručke. Pri ostatných opravách sa obráťte na autorizovaného servisného zástupcu.
- Pri výmene drôtu používajte len nylonové drôtené vlákno s priemerom popísaným v tabuľke špecifikácií tejto príručky.
- Po predĺžení nového rezného drôtu vždy vráťte produkt pred spustením do štandardnej prevádzkovej polohy.
- Po každom použití vyčistite produkt mäkkou suchou tkaninou. Akýkoľvek poškodený diel sa musí náležite opraviť alebo vymeniť v autorizovanom servisnom centre.
- Skontrolujte všetky skrutky, matice v častých intervaloch či sú riadne utiahnuté, aby sa zaisťila bezpečná prevádzka produktu.

ÚČEL POUŽITIA

Tento produkt je určený len pre použitie v exteriéri.

Tej to produkt je určený na strihanie dlhkej trávy, ľahkej buriny a podobnej vegetácie na úrovni zeme alebo kúsok nad ňou. Rezná rovina musí byť vždy približne rovnobežná s povrchom zeme.

Tento produkt sa nesmie používať na strihanie či orezávanie živých plotov, kríkov či inej vegetácie, kde rezná rovina nie je rovnobežná s povrchom zeme.

ZVYŠKOVÉ RIZIKÁ:

Aj keď sa nástroj používa podľa predpisu, nie je možné eliminovať určité zvyškové rizikové faktory. Pri použití vznikajú nasledujúce riziká a obsluhujúca osoba musí venovať zvláštnu pozornosť, aby nedošlo k nasledovnému:

- Zranenie spôsobené vibráciami. Nástroj držte za rukoväťe na to určené a obmedzte pracovný čas a expozíciu.
- Vystavovanie hluku môže spôsobiť poranenie sluchu. Používajte ochranu sluchu a obmedzte expozíciu

ZOZNÁMTE SA DÔKLADNE SO SVOJÍM NÁRADÍM.

Pozrite stranu 94.

DIELY

1. Zadná rukoväť
2. Spínač
3. Držiak kábla
4. Napájací kábel
5. Držiak prednej rukoväte
6. Predná rukoväť
7. Otočný gombík pre nastavenie rukoväte
8. Horný hriadeľ
9. Teleskopická objímka
10. Otočná objímka
11. Dolný hriadeľ
12. Otočná západka
13. Ochranný kryt

14. Lemovací kotúč
15. Chránič na rastliny
16. Rezací drôt
17. Kryt cievky
18. Orezávacie ostri
19. Tlačidlo na uvoľnenie drôtu
20. Pútko
21. Poistné tlačidlo krytu cievky
22. Cievka

SYMBOLY NA PRODUKTE



Pred použitím produktu si s porozumením prečítajte všetky pokyny a dodržiavajte výstražné a bezpečnostné upozornenia.



Používajte chrániče zraku



Používajte chrániče sluchu.



Nepoužívajte ostria na produkte.



Nevystavujte dažďu ani nepoužívajte vo vlhkom prostredí.



Ak sa kábel poškodí alebo pretrhne, bezprostredne pred vykonaním údržby odpojte zástrčku z elektrickej siete.



Pozor na vymrštené alebo odletujúce objekty. Okolostojacich udržiavajte v bezpečnej vzdialenosti od produktu.



Pozor na vymrštené alebo odletujúce objekty. Všetky okolostojace osoby (najmä deti a domáce zvieratá) musia stáť minimálne 15 m od pracoviska.



Nástroj triedy II, dvojitá izolácia



Opotrebované elektrické zariadenia by ste nemali odhadzovať do domového odpadu. Prosíme o recykláciu ak je možné. Kontaktujte miestne úrady, alebo predajcu pre viac informácií ohľadom ekologického spracovania.



CE konformita



GOST-R konformita



Garantovaná hladina akustického výkonu je 96 dB.

Nasledujúce značky a významy vysvetľujú úroveň rizika spojeným s výrobkom.

Značky	Znamenie	Význam
	NEBEZPEČENSTVO	Označuje bezprostredne nebezpečnú situáciu, ktorá môže vyústiť v smrť, alebo vážne zranenie.
	VAROVANIE	Označuje potenciálne nebezpečnú situáciu, ktorá môže vyústiť v smrť, alebo vážne zranenie.
	VÝSTRAHA	Označuje potenciálne nebezpečnú situáciu, ktorá môže vyústiť v ľahké, alebo stredne ťažké zranenie.
	VÝSTRAHA	Bez symbolu bezpečnostného alarmu Označuje situáciu, ktorá môže zapríčiniť poškodenie majetku.

IKONY V TOMTO NÁVODE



Pripojte do elektrickej zásuvky



Odpojte z elektrickej zásuvky



Diely alebo príslušenstvo predávané samostatne



Opotrebované elektrické zariadenia by ste nemali odhadzovať do domového odpadu. Prosíme o recykláciu ak je možné.



POZNÁMKA:



VAROVANIE

ОБЩИ ПРЕДУПРЕЖДЕНИЯ ЗА БЕЗОПАСНОСТ

⚠ ПРЕДУПРЕЖДЕНИЕ

При използване на продукта трябва да се спазват правилата за безопасност. За осигуряване на вашата безопасност и тази на страничните наблюдатели прочетете тези инструкции, преди да работите с продукта. Съхранявайте ръководството за експлоатация на сигурно място, за да можете да го ползвате и по-късно.

⚠ ПРЕДУПРЕЖДЕНИЕ

Този електрически инструмент не е предназначен за използване от деца или от лица с ограничени физически, умствени или сетивни способности. Децата трябва да бъдат надлежно надзирани, за да се гарантира, че няма да си играят с електрическия инструмент.

⚠ ПРЕДУПРЕЖДЕНИЕ

В някои региони действат наредби, които ограничават употребата на продукта. Поискайте съвет от местните власти

ОБУЧЕНИЕ

- Не позволявайте на деца или на лица, незапознати с инструкциите да използват продукта. Местните наредби могат да налагат ограничения за възрастта на оператора.
- Прочете инструкциите внимателно. Запознайте се внимателно с всички средства за управление и правилното използване на инструмента.
- Дръжте всички странични наблюдатели (особено деца и домашни любимци) на поне 15m разстояние от работната зона. Ако някой навлезе в работната зона, спрете машината.
- Никога не използвайте продукта, ако сте уморени, болни или под влиянието на алкохол, лекарства или медикаменти.
- Трябва да знаете, че операторът или потребителят е отговорен за причиняването на злополуки или щети на други лица или имущество.

ЕЛЕКТРИЧЕСКА БЕЗОПАСНОСТ

- Щепселът на електрическия инструмент трябва да е съвместим с контакта. В никакъв случай не внасяйте изменения в конструкцията на щепсела. Когато работите със занулен електрически инструменти, не използвайте адаптери за щепсела. Използването на оригиналните щепсели и контакти намалява риска от токов удар.
- Избягвайте неволно стартиране. Винаги преди да включите инструмента в захранването, проверявайте дали превключвателят е на OFF (изключено). Не носете включен продукт, докато пръстът ви е на бутона.

- Избягвайте допир със заземени повърхности, като тръби, радиатори, печки и хладилници. Когато тялото ви е заземено, рискът от възникване на токов удар е по-голям.
- Не излагайте продукта на дъжд или влажни условия. Проникването на вода в уреда повишава риска от токов удар.
- Уредът трябва да бъде захранван чрез прекъсвач за защитно изключване, пропускащ ток не повече от 30 mA.
- Преди употреба огледайте захранващия кабел за повреди. Ако има следи от повреда, той трябва да се смени от упълномощен сервизен център. Винаги развивайте захранващия кабел преди употреба; навитите кабели могат да прегреят.
- Ако трябва да използвате удължителен кабел, уверете се, че е подходящ за употреба на открито и има капацитет за напрежение, достатъчен за инструмента; преди употреба го проверете за повреди и винаги го развивайте, преди да го използвате, понеже навитите кабели могат да прегреят. Повредените удължителни кабели не трябва да се поправят, а да се сменят с такива от еквивалентен тип.
- Не използвайте продукта, ако електрическите кабели са повредени или износени.
- Ако кабелът се повреди по време на работа, незабавно го разкачете от електричеството. Не докосвайте електрическите кабели, докато не бъде изключен захранващия източник.
- Внимавайте захранващия кабел да не е на места, където може да бъде повреден от режещите устройства, настъпен, прегазен или изложен по друг начин на повреда или напрежение.
- Никога не вдигайте и не носете продукта за електрическия кабел.
- Никога не дърпайте захранващия кабел, за да изключите инструмента от електричеството.
- Дръжте захранващия кабел далече от топлина, масло и остри предмети.
- Уверете се, че напрежението за продукта е правилно. На табелката с характеристиките на продукта, можете да видите напрежението му. Никога не свързвайте уреда към променлив ток с различно от посоченото напрежение.
- Уверете се, че ключът е в позиция „Off“ (Изкл.), преди изключите от електрозахранването.

ПОДГОТОВКА

- Носете пълна защитна екипировка за очите и слуха ви, когато боравите с продукта. Ако работите в зона, където съществува риск от падащи предмети, трябва да носите каска.
- Възможно е антифоните да ограничат способността на оператора да чува предупредителни звуци; отнасяйте се изключително внимателно по отношение на потенциални рискове както в работната зона, така и извън нея.
- Носете здрави дълги панталони, ботуши и ръкавици. Не носете широки дрехи, шорти и бижута



и не ходете боси.

- Дългата коса трябва да бъде прибрана на ниво над раменете, за да се избегне заплитането ѝ в движещите се части.
- Преди употреба и след всяко въздействие проверете дали няма повредени части. Поправянето или заменянето на дефектен превключвател или повредени или износени части трябва да се извършва само от упълномощени сервизи.
- Уверете се, че приспособлението за рязане е правилно монтирано и здраво закрепено.
- Никога не работете с машината, ако всички предпазители, отклонители и ръкохватки не са правилно и стабилно монтирани.
- Помислете за средата, в която работите. Прочиствайте работната зона от жици, пръчки, камъни и отпадъци, които биха могли да бъдат захвърлени във въздуха, ако попаднат в съприкосновение с режещия механизъм.

ПРЕДУПРЕЖДЕНИЯ ЗА БЕЗОПАСНОСТ НА ТРИМЕРА

- Не позволявайте на деца или на лица, непознати с инструкциите да използват машината.
- Използвайте продукта през деня или при добро изкуствено осветление.
- Избягвайте използването върху мокро стъкло.
- Винаги стъпвайте стабилно по време на работа и пазете равновесие.
- Не ходете назад, докато използвате продукта.
- Вървете, никога не тичайте, когато косите.
- Дръжте всички странични наблюдатели (особено деца и домашни любимци) на поне 15m разстояние от работната зона.
- Дръжте приспособлението за рязане под нивото на кръста.
- Никога не използвайте продукта, ако предпазителите са повредени или ако не са на мястото си.
- Никога не поставяйте метална корда.
- Дръжте ръцете и краката си далеч от режещите части и особено при включване на мотора.
- Внимавайте, режещите елементи продължават да се въртят след изключването на мотора.
- Внимавайте за обекти, захвърлени от режещия механизъм. Почистете отпадъците като малки камъни, чакъл и други чужди обекти от работната зона, преди да започнете работа.
- Изключете инструмента и извадете кабела от захранването преди:
 - обслужване
 - оставяне на продукта без надзор
 - почистване на продукта или отстраняване на препятствия
 - смяна на принадлежности
 - проверка за повреда след удряне на обект
 - Проверка за повреда, ако продуктът започне да вибрира необичайно

- извършване на профилактика

- Малкото острие, монтирано към предпазителя, е проектирано за подрязване на новата удължена линия до правилната дължина за целите на безопасната и оптимална производителност. Острието е изключително остро; не го докосвайте, особено когато почиствате инструмента.
- Винаги проверявайте дали по вентилационните отвори има отпадък.
- Уверете се, че приставката за глава е правилно монтирана и здраво закрепена.
- Уверете се, че всички предпазители, отклонители и дръжки са правилно стабилно прикрепени.
- Не модифицирайте машината по какъвто и да е начин; това може да увеличи риска от физическо нараняване за вас или други лица.
- Подменяйте режещото влакно само с оригинално такова от производителя. Не използвайте никакво друго режещо приспособление.
- Известно е, че вибрациите, произведени от ръчни инструменти може да предизвикат у някои индивиди заболяване, наречено Синдром на Рейнолд (Raynaud's Syndrome). Симптомите може да включват изтръпване, схващане и изледняване на пръстите, обикновено се забелязват при излагане на студ.
- Смята се, че наследствените фактори, излагането на студ и влага, диетите, пушеното и някои работни навици допринасят за развитието на тези симптоми. Могат да се вземат някои мерки, които могат да се предприемат от оператора, за да се намалят ефектите от вибрациите:
 - Поддържайте телесната температура в студено време. Когато боравите с инструмента, носете ръкавици, за да поддържате ръцете и китките си топли. Според изследвания главният фактор, допринасящ за развитието на Raynaud's Syndrome, е студеното време.
 - Правете упражнения за активизиране на кръвообращението след всеки работен цикъл.
 - Редовно излизайте в почивка. Ограничете излагането на вибрации на ден.
- При поява на някой от симптомите на това заболяване, незабавно прекратете употребата на инструмента и посетете лекар.

⚠ ПРЕДУПРЕЖДЕНИЕ

Продължителното използване на инструмента може да доведе до наранявания или влошаване. При използване на инструмента за продължителни периоди от време правете чести почивки.

ТРАНСПОРТИРАНЕ И СЪХРАНЕНИЕ

- Спрете машината и я оставете да се охладя, преди да я съхранявате или транспортирате.
- Почистете продукта от всички чужди частици. Съхранявайте я на хладно, сухо и добре проветрявано място, което е недостъпно за деца.



Не го оставяйте в близост до корозивни материали като градински химикали или соли за размразяване. Не съхранявайте на открито.

- За съхранение винаги изключвайте от електрическата мрежа и навивайте кабела.
- При транспортиране закрепете здраво машината, за да елиминирате вероятността от придвижване или падане и да предотвратите физическите наранявания на лица или повреди по машината.

ПОДДРЪЖКА

⚠ ПРЕДУПРЕЖДЕНИЕ

Използвайте само оригинални резервни части, аксесоари и приставки от производителя. В противен случай може да се влоши работата на инструмента или да получите тежки контузии, а гаранцията ви ще стане невалидна.

⚠ ПРЕДУПРЕЖДЕНИЕ

Сервизното обслужване изисква изключително внимание и специфични познания и следва да бъде извършвано само от квалифициран техник. За сервизно обслужване и поправка препоръчваме да занесете продукта до най-близкия упълномошен се рвизен цен тър. При ремонт използвайте само идентични резервни части.

- Преди да пристъпите към действия по грижа и поддръжка, изключете електричеството, като разкачите щепсела от мрежата. Уверете се, че ключът е в позиция „Off“ (Изкл.), преди изключите от електрозахранването.
- Можете да правите настройки и поправки, описани в това ръководство на потребителя. За други поправки се свържете с агент на упълномощения сервиз.
- За замяна на режещото влакно използвайте само найлоново режещо влакно със съответния диаметър, посочен в таблицата със спецификациите в настоящото ръководство.
- След удължаване на ново режещо влакно винаги връщайте продукта в нормална за работа позиция, преди да го включите.
- Всеки път след употреба почиствайте продукта с мека и суха кърпа. Всяка повредена част трябва да бъде поправена или заменена от упълномощен сервизен център.
- Периодично проверявайте дали всички гайки, болтове и винтове са правилно затегнати, за да сте сигурни, че продуктът е в изправност.

ПРЕДНАЗНАЧЕНИЕ

Този продукт е предназначен за използване само на открито.

Продуктът е проектиран за рязане на трева, леки бурени и подобна растителност на нивото на земята или над него. Плоскостта на косене трябва да е

приблизително успоредна на земната повърхност.

Продуктът не трябва да се използва за рязане или подрязване на жив плет, храсталаци или друга растителност, при която плоскостта на рязане не е успоредна на земната повърхност.

НЕПРЕДВИДЕНИ РИСКОВЕ.

Дори когато машината се използва по предназначение, е невъзможно напълно да се отстранят определени остатъчни рискови фактори. Рисковете, описани по-долу, може да възникнат по време на употреба и операторът трябва да внимава за избягването на следното:

- Нараняване, причинено от вибрация. Дръжте инструмента за предназначениите за целта ръкохватки и ограничете работното време и излагане.
- Излагането на шум може да доведе до увреждане на слуха. Носете антфони и ограничете излагането

РАЗУЧЕТЕ НАЧИНА НА РАБОТА С ВЕРИЖНИЯ ТРИОН.

Вж. страница 94.

ЧАСТИ

1. Задна ръкохватка
2. Спусък
3. Фиксатор за кабела
4. Захранващ кабел
5. Държач на предната ръкохватка
6. Предна ръкохватка
7. Врътка за регулиране на ръкохватката
8. Горен прът
9. Пръстен на телескопа
10. Въртящ се пръстен
11. Долен прът
12. Бутон на оста
13. Предпазител
14. Колело за регулиране оформянето на ръбово
15. Предпазител за растения
16. Режещо влакно
17. Капак на макарата
18. Острие за подрязване
19. Бутон за освобождаване на влакно
20. Остор
21. Бутон за заключване на капака на макарата
22. Макара

СИМВОЛИ НА ПРОДУКТА



Прочетете и осмислете всички указания, преди да започнете работа с продукта; спазвайте всички предупреждения и инструкции за безопасност.



Носете защитни средства за очи

EN
FR
DE
ES
IT
NL
PT
DA
SV
FI
NO
RU
PL
CS
HU
RO
LV
LT
ET
HR
SL
SK
BG



Носете антифони.



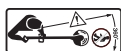
Не използвайте остриета върху продукта.



Не излагайте на дъжд и на влажни условия.



Ако кабелът е повреден или срязан, както и непосредствено преди профилактика, изключете щепсела от електрическата мрежа.



Внимавайте за изхвърлени или летящи обекти. Дръжте наблюдателите на безопасно разстояние от продукта.



Внимавайте за изхвърлени или летящи обекти. Дръжте всички странични наблюдатели (особено деца и домашни любимци) на поне 15m разстояние от работната зона.



Инструмент от клас II, двойна изолация



Електрическите уреди не трябва да се изхвърлят заедно с битовите отпадъци. Рециклирайте, където има възможност. Обърнете се за съвет по рециклирането към местните власти или разпространителите.



ЕС Съответствие



GOST-R Съответствие



Гарантираното ниво на шум е 96 dB.



ВНИМАНИЕ

Указва потенциално опасна ситуация, която ако не бъде избегната, може да доведе до дребни или средни наранявания.

ВНИМАНИЕ

Без предупредителен символ за безопасност
Указва ситуация, която може да доведе до имуществени щети.

ИКОНИ В ТОВА РЪКОВОДСТВО



Свържете към електрически контакт.



Изключете от електрическия контакт



Частите или принадлежностите се продават отделно



Електрическите уреди не трябва да се изхвърлят заедно с битовите отпадъци. Рециклирайте, където има възможност.



ЗАБЕЛЕЖКА:



ПРЕДУПРЕЖДЕНИЕ

Следните сигнални думи и значенията им са предназначени да обяснят нивата на опасност, свързани с този продукт.

Знак

Сигнал

Значение



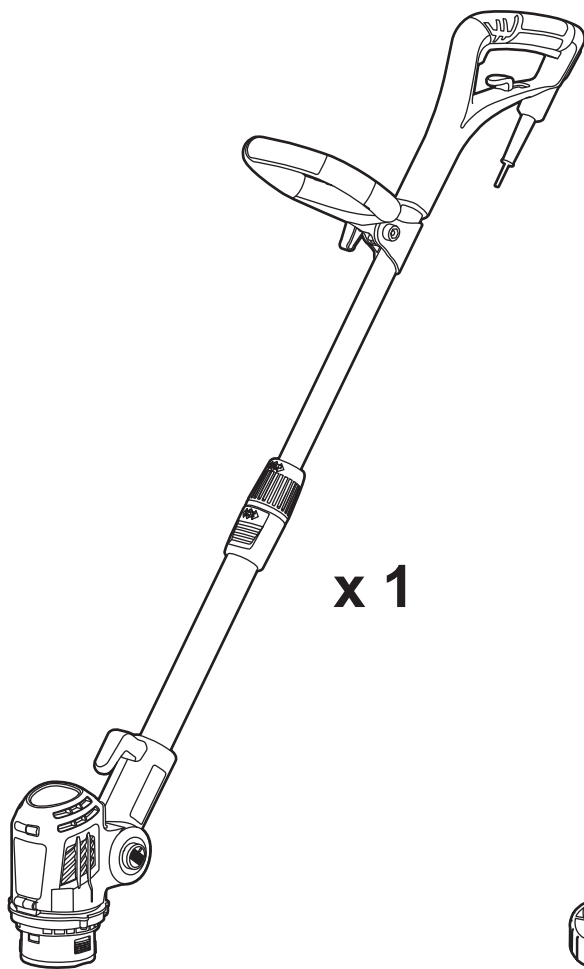
ОПАСНОСТ

Указва неминуемо опасна ситуация, която ако не бъде избегната, ще доведе до сериозни наранявания или смърт.



ПРЕДУПРЕЖДЕНИЕ

Указва потенциално опасна ситуация, която ако не бъде избегната, може да доведе до сериозни наранявания или смърт.



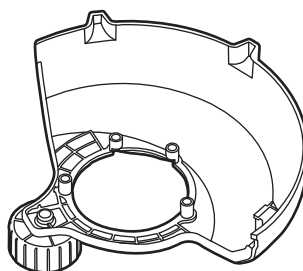
x 1



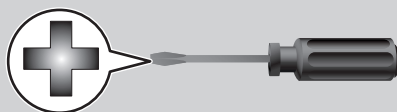
x 4

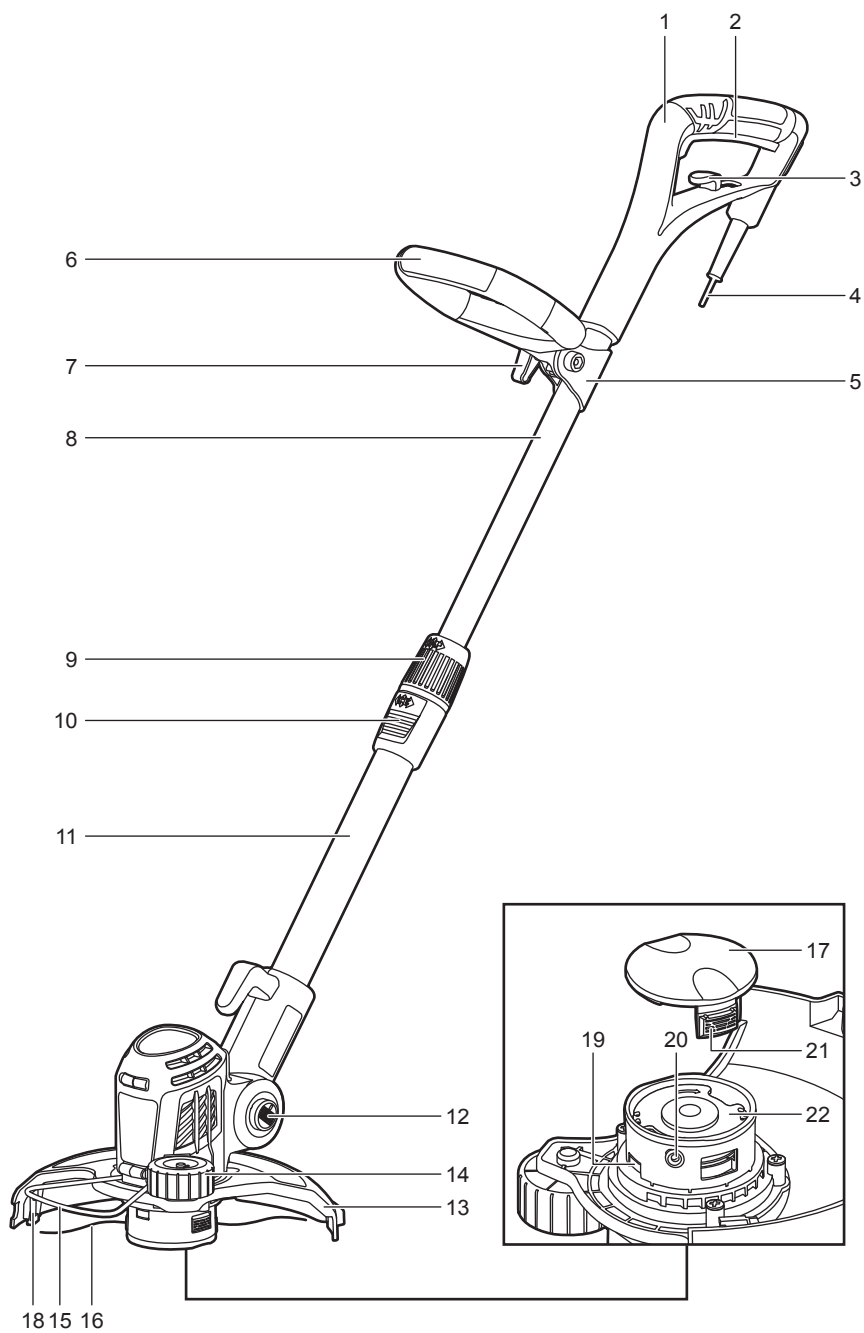


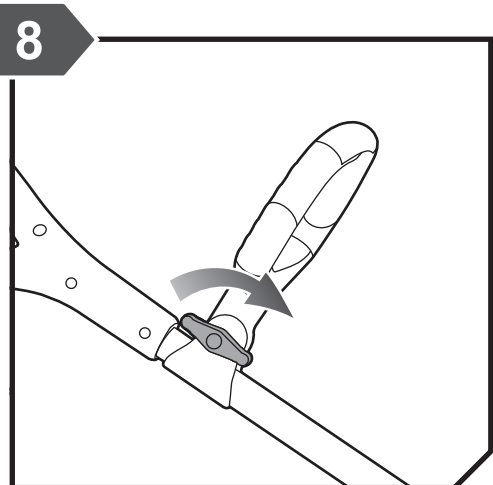
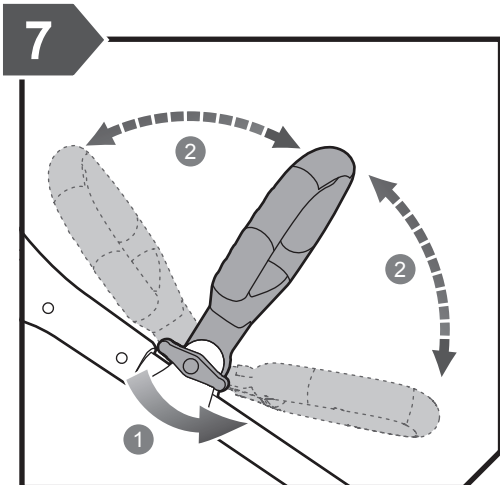
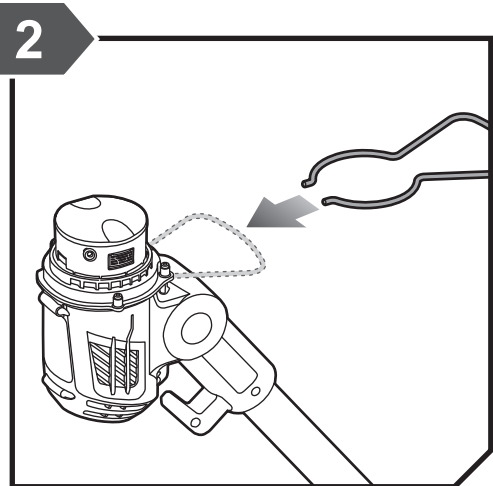
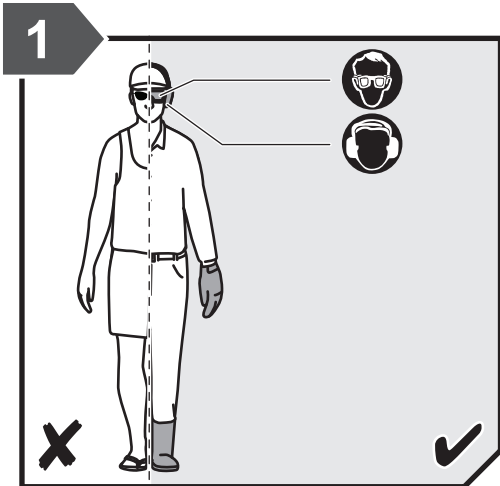
x 1

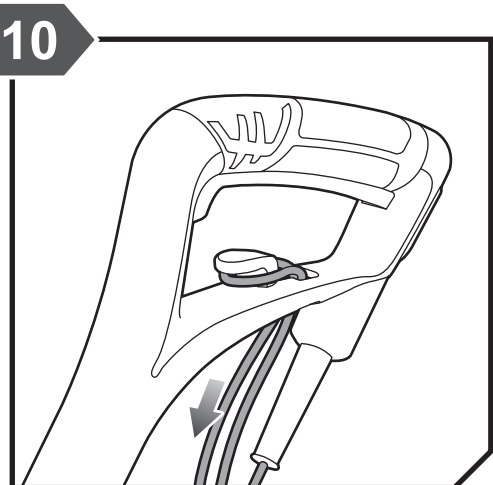
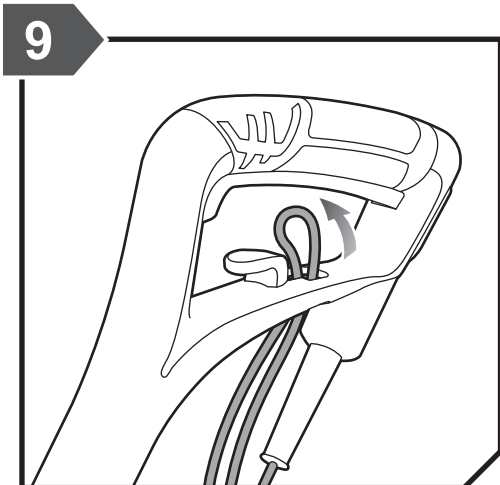
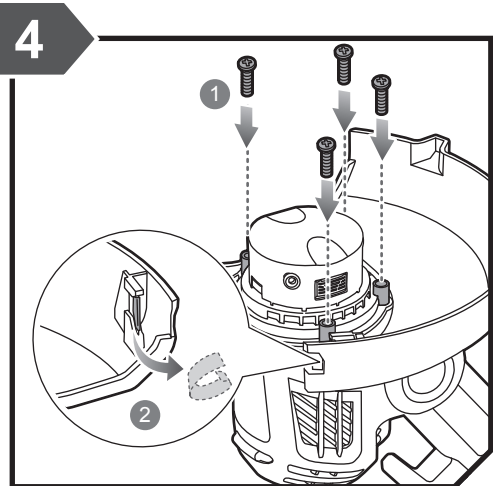
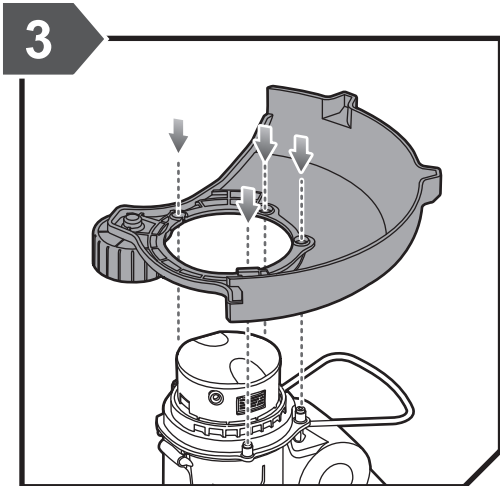


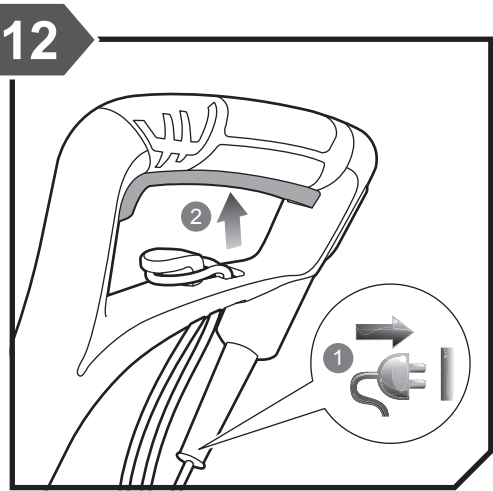
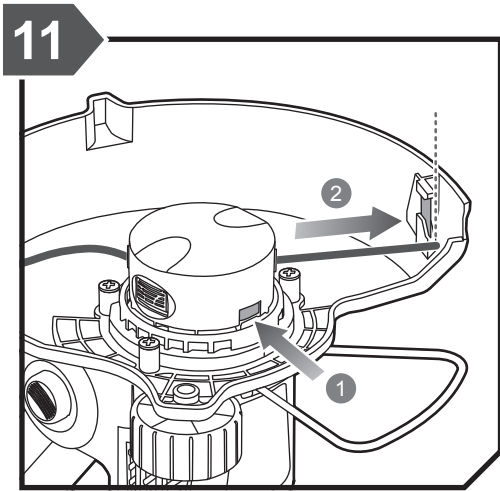
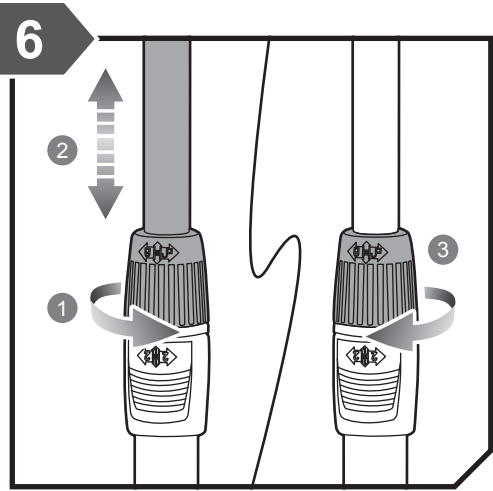
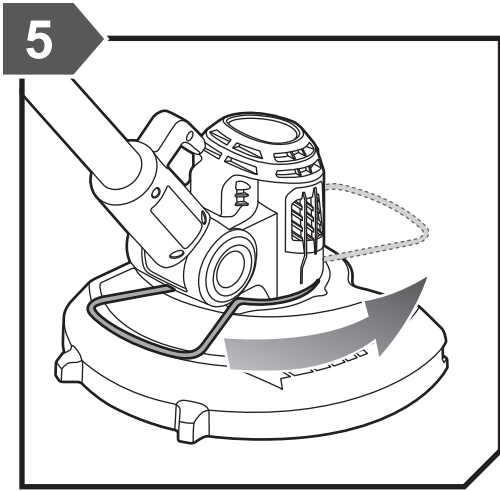
x 1







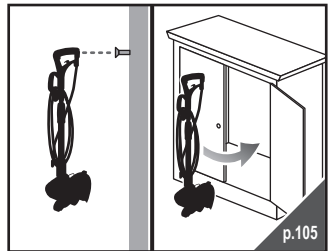
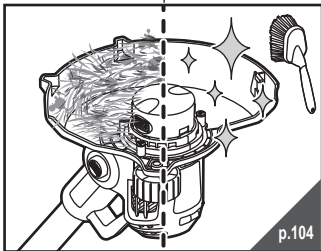
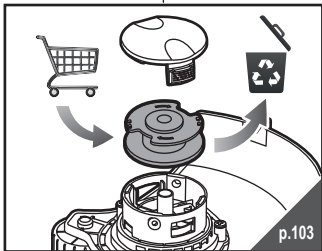
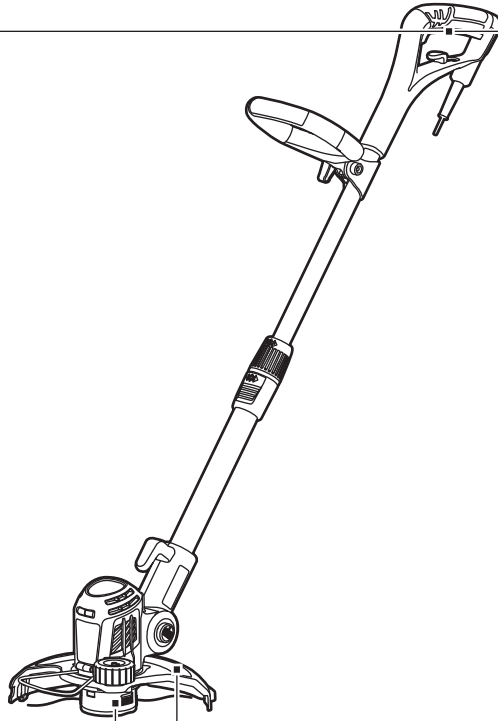
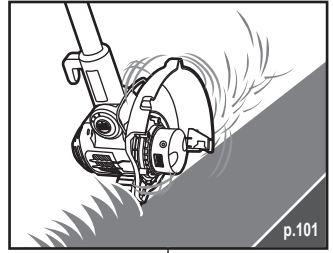
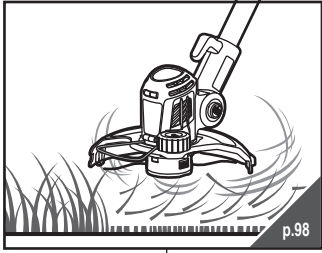


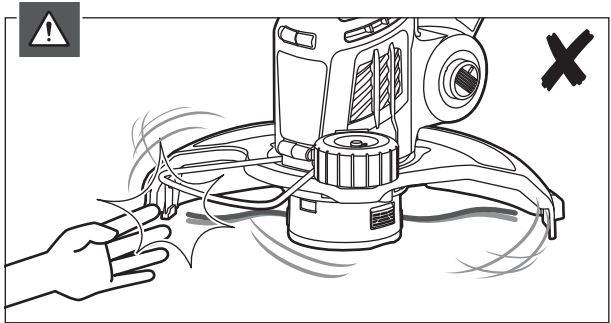
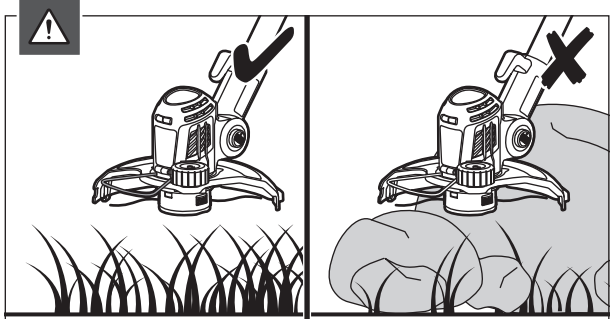
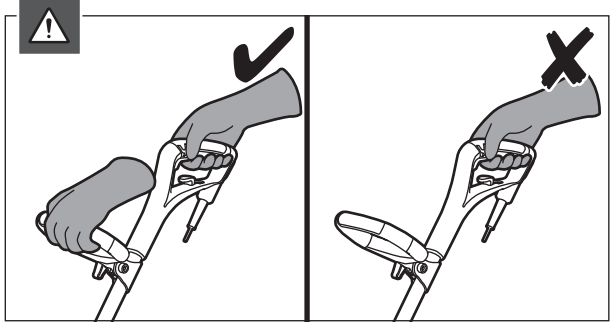
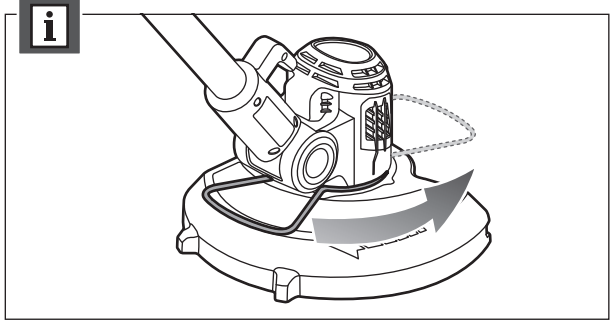
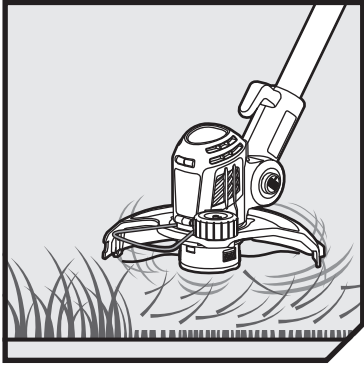


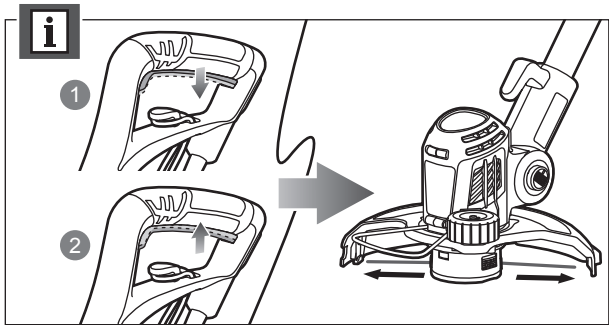
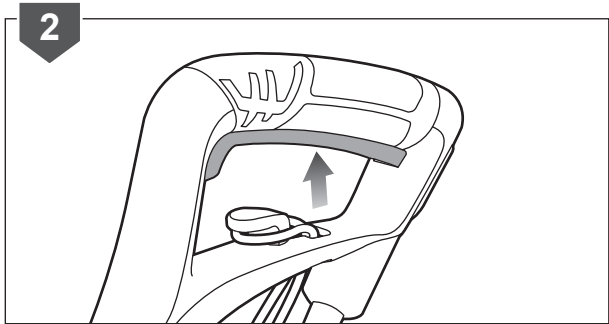
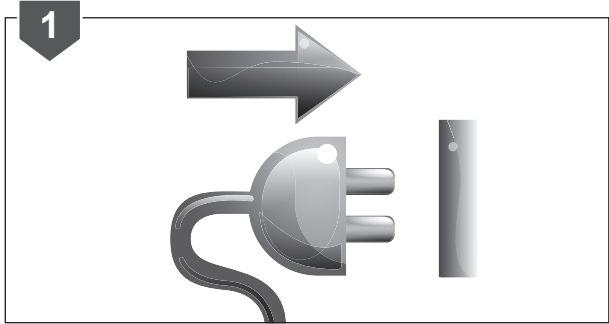
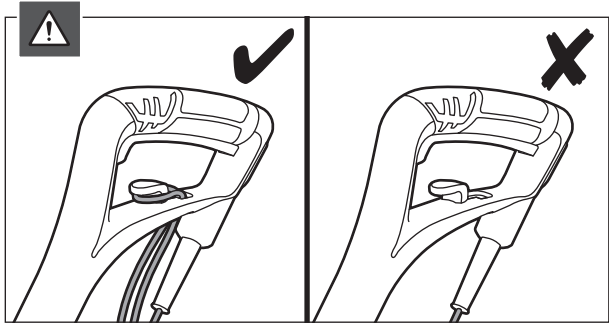


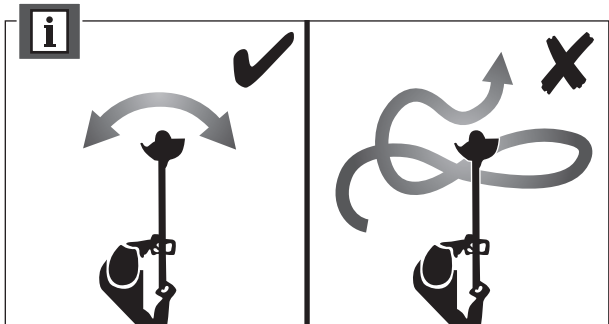
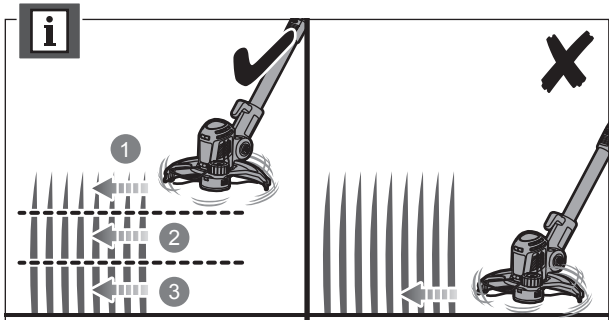
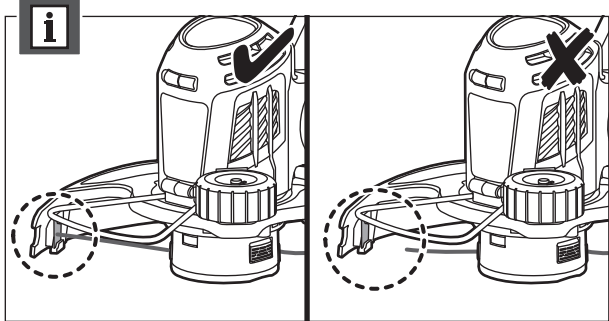
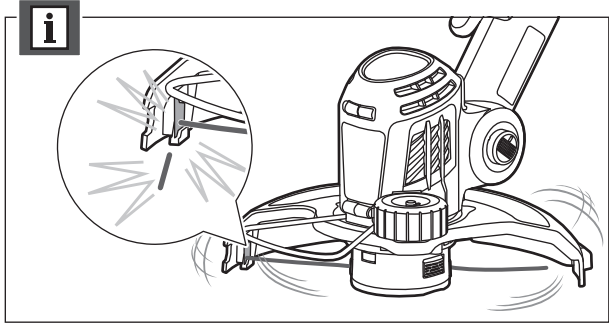


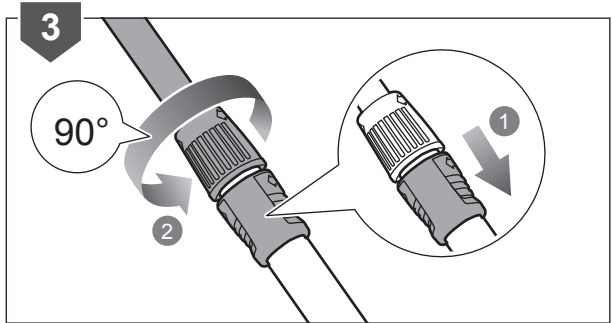
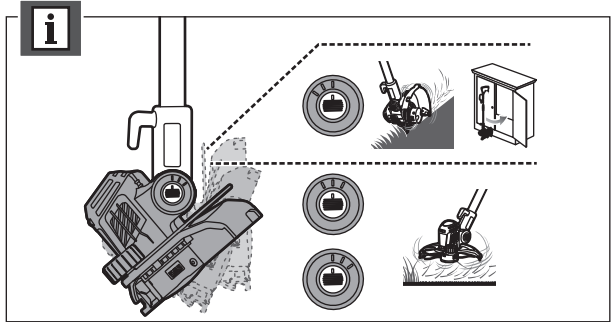
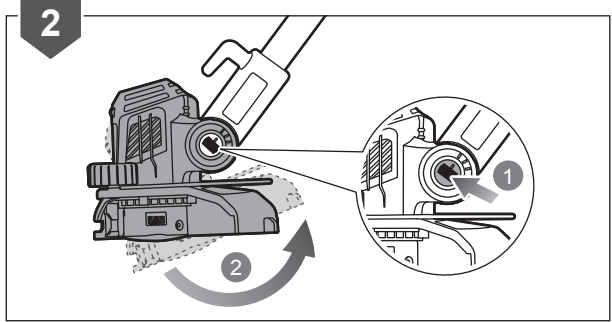
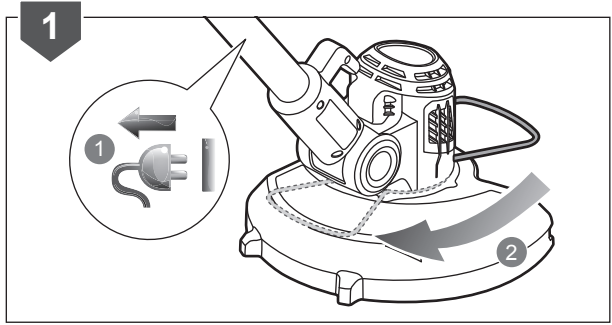
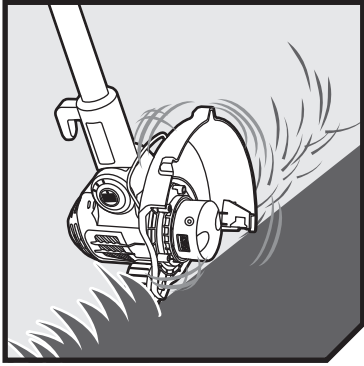


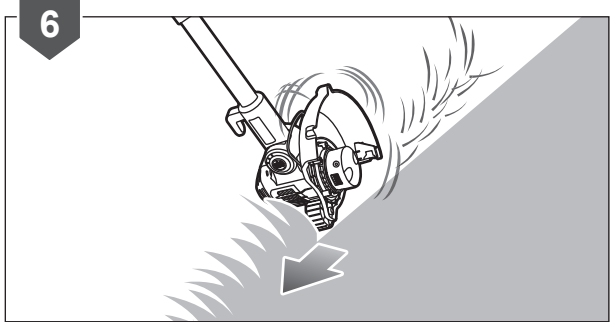
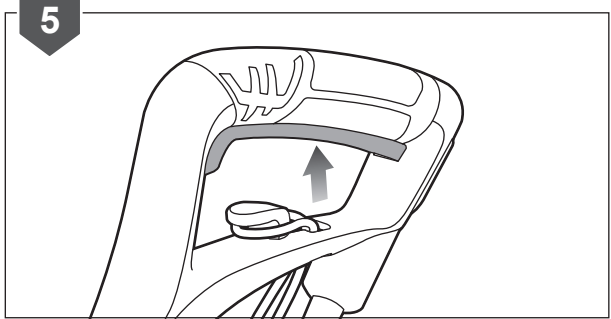
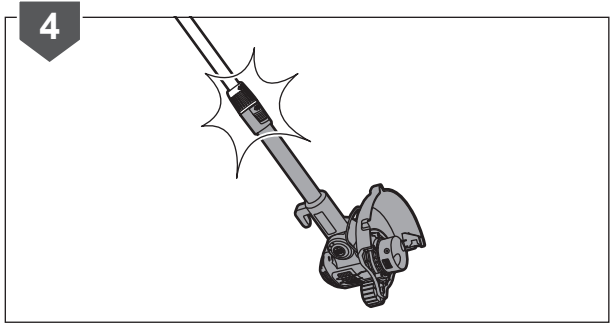


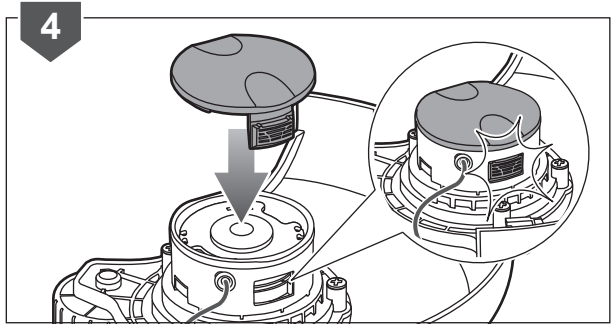
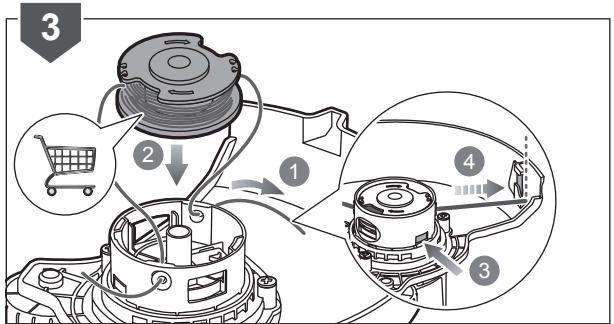
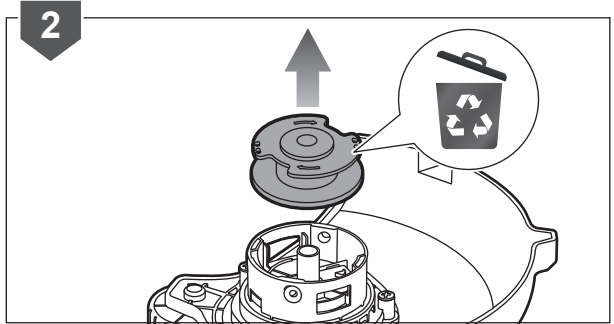
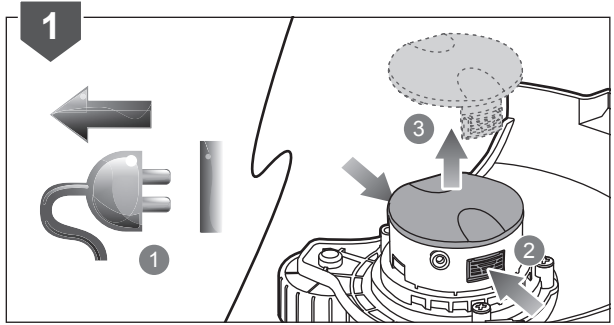
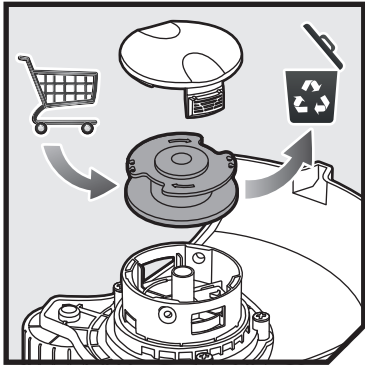


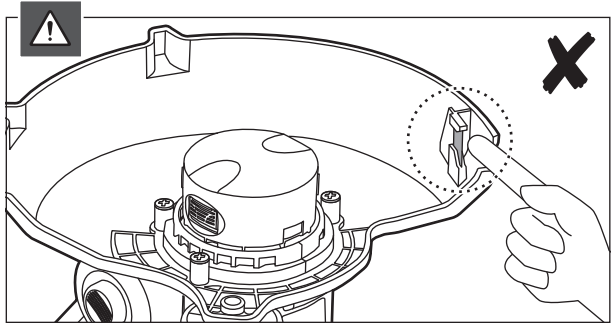
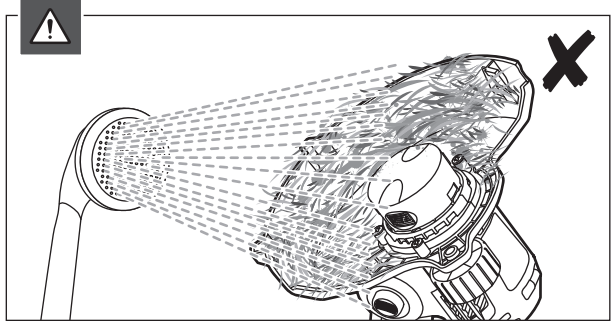
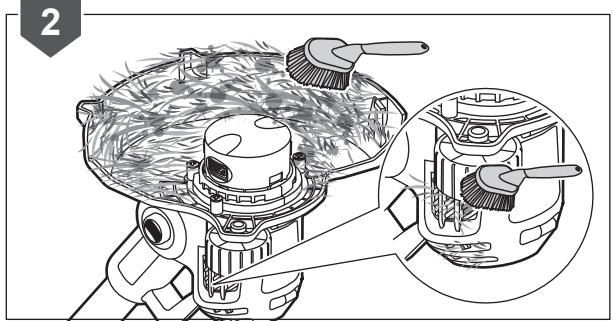
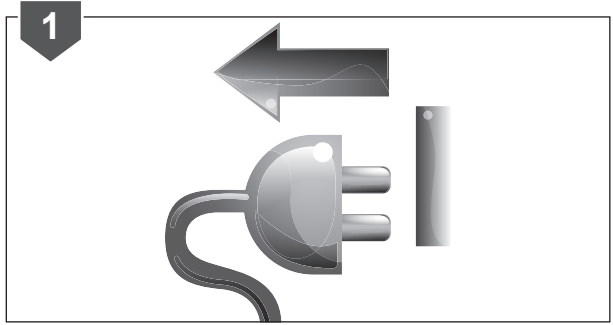
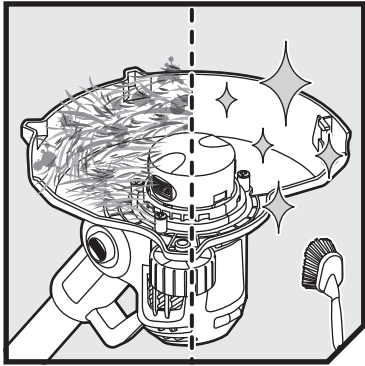


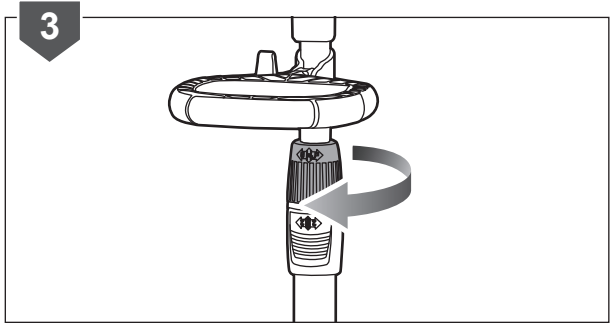
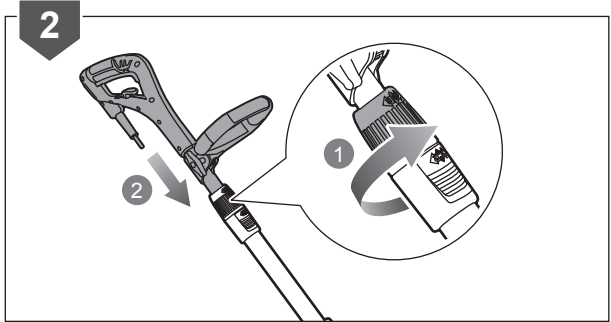
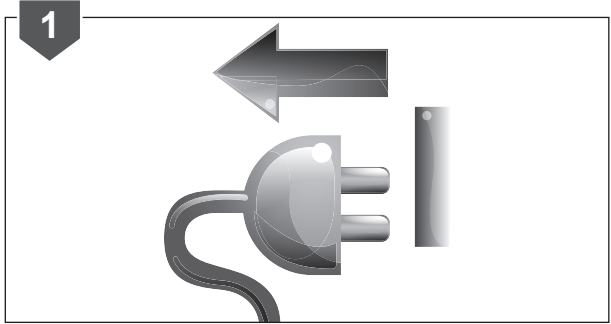
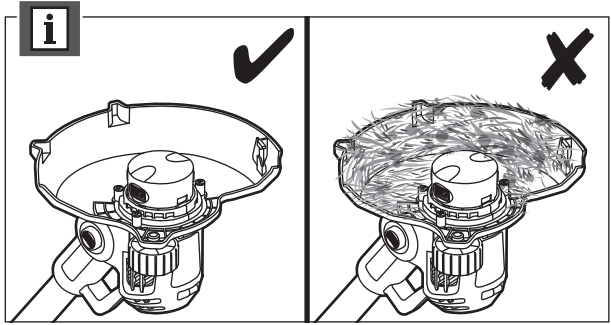
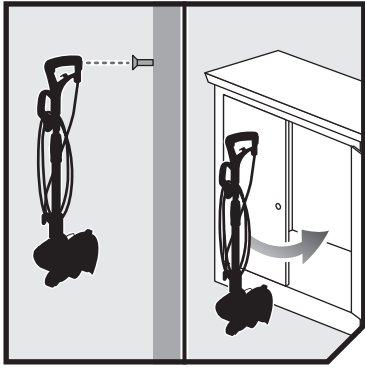


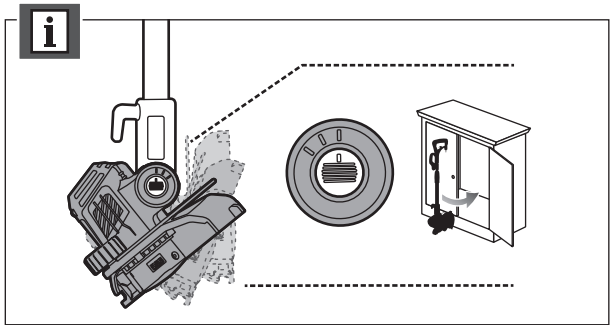
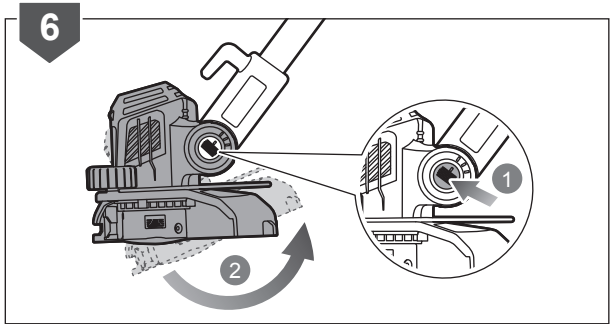
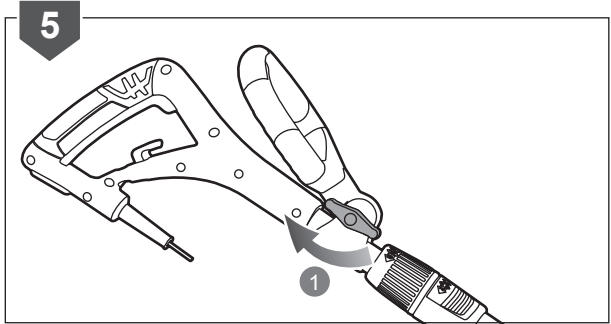
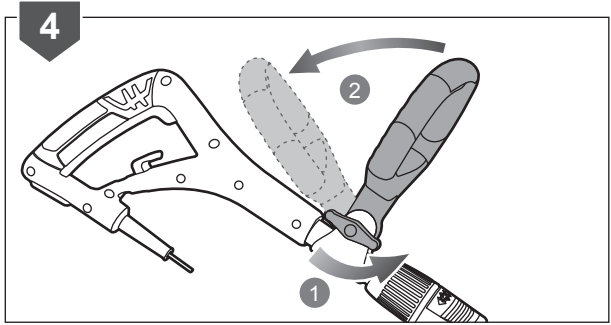


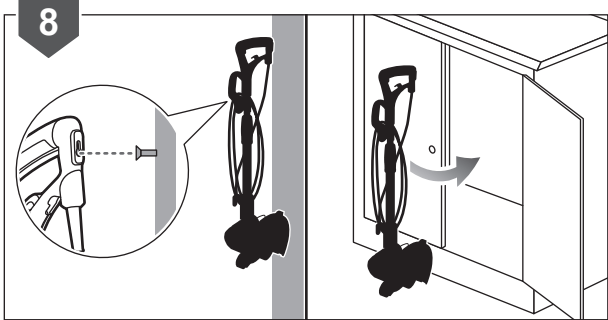
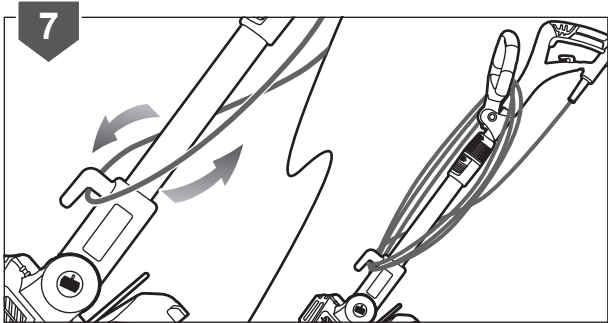














English	Français	Deutsch	Español	Italiano	Nederlands
Product specifications	Caractéristiques produit	Produkt-Spezifikationen	Especificaciones del producto	Caratteristiche del prodotto	Productgegevens
Rated power	Puissance nominale	Nennaufnahmelistung	Potencia clasificada	Alimentazione	Vermogen
Rated voltage	Tension nominale	Nennspannung	Tensión nominal	Voltaggio nominale	Toegekende spanning
No-load speed	Vitesse de rotation	Leerlaufdrehzahl	Velocidad sin carga	Velocità senza carico	Snelheid zonder lading
Cutting line diameter	Diamètre du Fil de Coupe	Schneidfaden-Durchmesser	Cortar el diámetro de la línea	Diametro linea di taglio	Maatlijndiameter
Cutting capacity	Capacité de coupe	Schnittbreite Durchmesser	Capacidad de corte	Capacità di taglio	Snijcapaciteit
Vibration level (in accordance with EN 786 Annex D)	Niveau de vibrations (selon l'Annexe D de EN 786)	Vibrationsgrad (entspricht Anhang D von EN 786)	Nivel de vibración (según el Anexo D de EN 786)	Livello di vibrazioni (Secondo quanto indicato dall'Allegato D di EN 786)	Trillingsniveau (in overeenstemming met bijlage D van EN 786)
Rear handle	Poignée arrière	Hinterer Haltegriff	Mango trasero	Manico posteriore	Achterste handvat
Front handle	Poignée avant	Vorderer Haltegriff	Mango delantero	Manico anteriore	Voorste handvat
Uncertainty of measurement	Incertitude de la mesure	Unsicherheit der Messung	Incertidumbre de medición	Incertezza della misurazione	Onzekerheid bij meting
Noise emission level (in accordance with EN 786 Annex E)	Niveau d'émission sonore (selon l'Annexe E de EN 786)	Geräuschemission (entspricht Anhang E von EN 786)	Nivel de emisión de ruido (según el Anexo E de EN 786)	Livello di emissione rumori (Secondo quanto indicato dall'Allegato E di EN 786)	Niveau geluidsemisie (in overeenstemming met bijlage E van EN 786)
A-weighted sound pressure level	Niveau de pression sonore pondéré-A	A-bewerteter Schalldruckpegel	Nivel de presión acústica ponderada en A	Livello di pressione sonora pesato A	A-gewogen geluidsdruk-niveau
Uncertainty of measurement	Incertitude de la mesure	Unsicherheit der Messung	Incertidumbre de medición	Incertezza della misurazione	Onzekerheid bij meting
A-weighted sound power level	Niveau de puissance sonore pondéré-A	A-bewerteter Schalleistungspegel	Nivel de potencia acústica ponderada en A	Livello di potenza sonora pesato A	A-gewogen geluidsniveau
Uncertainty of measurement	Incertitude de la mesure	Unsicherheit der Messung	Incertidumbre de medición	Incertezza della misurazione	Onzekerheid bij meting
Weight	Poids	Gewicht	Peso	Peso	Gewicht
Replacement parts	Pièces de Rechange	Ersatzteile	Piezas de repuesto	Parti di ricambio	Vervangonderdelen
1,5 mm complete spool	1,5 mm Bobine complète	1,5 mm Komplette spule	1,5 mm Carrete completo	1,5 mm Bobina completa	1,5 mm Volledige spoel
1,5 mm spool (3 pcs)	1,5 mm Bobine (3 pièces)	1,5 mm Spule (3-teilig)	1,5 mm Carrete (3 piezas)	1,5 mm Bobina (3 pezzi)	1,5 mm Spoel (3 st)



Polski	Čeština	Magyar	Română	Latviski	Lietuviškai
Parametry techniczne	Technické údaje produktu	Termék műszaki adatai	Specificațiile produsului	Produkta specifikācijas	Gaminio techninės savybės
Moc znamionowa	Jmenovitý výkon	Névleges teljesítmény	Putere nominală	Nominālā jauda	Nominalus galingumas
Napięcie znamionowe	Jmenovitě napětí	Névleges feszültség	Tensiunea nominală	Nominālais spriegums	Nominali įtampa
Prędkość obrotowa bez obciążenia	Rychlost naprázdno	Üresjárati fordulatszám	Viteză fără sarcină	Greitis be apkrovimo	Greitis be apkrovimo
Średnica żyłki tnącej	Průměr záběru	Vágószál átmérő	Diametru fir de tăiere	Griezējvada diametrs	Pjovimo linijos diametras
Szerokość cięcia	Řezací kapacita	Vágási teljesítmény	Lungimea de tăiere	Griešanas dziļums	Pjovimo talpa
Poziom drgań (zgodnie z aneksem D normy EN 786)	Úroveň vibrací (v souladu s přílohou D normy EN 786)	Vibrációs szint (az EN 786 D. függeléke szerint)	Nivelul vibrațiilor (în conformitate cu anexa D din EN 786)	Vibrācijas līmenis (saskaņā ar EN 786 pielikumu D)	Vibracijos lygis (pagal EN 786 standarto D priedą.)
Uchwyt tylny	Zadní rukojeť	Hátsó fogantyú	Măner posterior	Aizmugurējais rokturis	Galinė rankena
Uchwyt przedni	Přední rukojeť	Elűső fogantyú	Măner anterior	Priekšējais rokturis	Priekinė rankena
Niepewność pomiaru	Nejistota měření	Mérés bizonytalansága	Incertitudine a măsurării.	Mērījuma mainīgums	Matmenų paklaida
Poziom emisji hałasu (zgodnie z aneksem E normy EN 786)	Hladina emise hluku (v souladu s přílohou E normy EN 786)	Zajkiobcsátási szint (az EN 786 E. függeléke szerint)	Nivel emisie zgomot (în conformitate cu anexa E din EN 786)	Troškņa emisijas līmenis (saskaņā ar EN 786 pielikumu E)	Triukšmo emisijų norma (pagal EN 786 standarto E priedą.)
A-wažony poziom ciśnienia hałasu	Hladina akustického tlaku vážená funkcií A	A-súlyozott hangnyomás szint	Nivel de presiune acustică ponderată A	A-līmeņa skaņas spiediena līmenis	A svertinis garso slėgio lygis
Niepewność pomiaru	Nejistota měření	Mérés bizonytalansága	Incertitudine a măsurării.	Mērījuma mainīgums	Matmenų paklaida
A-wažony poziom nateżenia hałasu	Hladina akustického výkonu vážená funkcií A	A-súlyozott hangteljesítményszint	Nivel de putere acustică ponderată A	A-līmeņa skaņas jaudas līmenis	A svertinis garso galios lygis
Niepewność pomiaru	Nejistota měření	Mérés bizonytalansága	Incertitudine a măsurării.	Mērījuma mainīgums	Matmenų paklaida
Ciężar	Hmotnost	Gépsúly	Greutate	Svars	Svoris
Części zamienne	Náhradní díly	Cserealkatrészek	Piese de schimb	Rezerves daļas	Atsarginės detalės
1,5 mm Kompletna szpula	1,5 mm Kompletní cívka	1,5 mm Teljes orsó	1,5 mm Rezervor complet	1,5 mm Pilna spoļe	1,5 mm Visas ritės rinkinys
1,5 mm Szpuli (3 sztuki)	1,5 mm Cívky (3 ks)	1,5 mm Orsó (3 db)	1,5 mm Bobinei (3 buc)	1,5 mm Spoļes (3 gab.)	1,5 mm Ritės (3 vnt.)





Português	Dansk	Svenska	Suomi	Norsk	Русский	
Características do aparelho	Produktspecifikationer	Produktspecifikationer	Tuotteen tekniset tiedot	Produktspecificasjoner	Характеристики изделия	
Potência nominal	Strøm	Effekt	Mootorinteho	Oppgitt ytelse	Номинальная сила	500 W
Tensão nominal	Mærkespænding	Spänning	Nimellisännite	Nominell spenning	Номинальное напряжение	230/240 V ~ 50 Hz
Velocidade sem carga	Tomgangshastighed	Hastighet utan belastning	Nopeus ilman kuormaa	Tomgangshastighet	Холостая скорость	10000 min ⁻¹
Cortar o diâmetro da linha	Klippetrådsdiameter	Klipptrådens diameter	Leikkuusiiman halkaisija	Diameter på klippesnoren	Диаметр режущей струны	1,5 mm
Capacidade de corte	Skærekapacitet	Trimningskapacitet	Leikkauskapasiteetti	Klippekapasitet	Сокращение вместимости	27 cm
Nível de vibração (segundo o Anexo D da norma EN 786)	Vibrationsniveau (i henhold til bilag D til EN 786)	Vibrationsnivå (enligt Annex D i EN 786)	Tärinätaso (EN 786 -standardin liitteen D mukaan)	Vibrasjonsnivå (i samsvar med Tillegg D til EN 786)	Уровень вибрации (в соответствии с Приложением D стандарта EN 786)	
Pega traseira	Baghåndtag	Bakre handtag	Takakädensija	Bakre håndtak	Задняя ручка	3,0 m/s ²
Pega frontal	Forhåndtag	Främre handtag	Etukädensija	Fremre håndtak	Передняя ручка	3,0 m/s ²
Incerteza de medições	Målingsusikkerhed	Osäkerhet i mätningar	Mittausten epätarkkuus	Usikkerhet ved måling	Погрешность измерения	1,5 m/s ²
Nível de emissão de ruído (segundo o Anexo E da norma EN 786)	Støjemissionsniveau (i henhold til bilag E til EN 786)	Bullernivå (enligt Annex E i EN 786)	Melutaso (EN 786 -standardin liitteen E mukaan)	Støyemissionsnivå (i samsvar med Tillegg E til EN 786)	Уровень шума (в соответствии с Приложением E стандарта EN 786)	
Nível de pressão sonora ponderada A	A-vægtet lydtryksniveau	A-vägd ljudtrycksnivå	A-painotettu äänenpainetaso	A-vektet lydtryknivå	Уровень A-взвешенного звукового давления	81,4 dB(A)
Incerteza de medições	Målingsusikkerhed	Osäkerhet i mätningar	Mittausten epätarkkuus	Usikkerhet ved måling	Погрешность измерения	3,0 dB(A)
Nível de potência sonora ponderada A	A-vægtet lydeffektniveau	A-vägd lydeffektsnivå	A-painotettu äänen-teho	A-vektet lydeffektnivå	Уровень A-взвешенной звуковой мощности	94,6 dB(A)
Incerteza de medições	Målingsusikkerhed	Osäkerhet i mätningar	Mittausten epätarkkuus	Usikkerhet ved måling	Погрешность измерения	1,5 dB(A)
Peso	Vægt	Vikt	Paino	Vekt	Вес	2,84 kg
Peças de substituição	Reserve dele	Utbytesdelar	Varaosat	Erstatningsdeler	Запасные части	
1,5 mm Bobina completa	1,5 mm Komplet spole	1,5 mm Komplet spole	1,5 mm Kela laitteelle	1,5 mm Komplet spole	1,5 mm Бобина	RAC122
1,5 mm Carrete (3 peças)	1,5 mm Spole (3 stk.)	1,5 mm Spole (3 st.)	1,5 mm Kelan (3 osaa)	1,5 mm Spole (3 deler)	1,5 mm Бобины (3 шт.)	RAC123



Eesti	Hrvatski	Slovensko	Slovenčina	България	
Toote tehnilised andmed	Specifikacije proizvoda	Specifikacije izdelka	Špecifikácie produktu	Технически характеристики	
Nimivõimsus	Nazivna snaga	Omejena moč	Menovitý výkon	Номинална мощност	500 W
Nimipinge	Nazivni napon	Nazivna napetost	Menovité napätie	Номинален волтаж	230/240 V ~ 50 Hz
Tühikäigukiirus	Brzina bez opterećenja	Hitrost neobremenjenega motorja	Rýchlost naprázdno	Скорост в ненатоварен режим	10000 min ⁻¹
Trimmerijõhvi läbimõõt	Promjer flaksa	Premier rezalne nitke	Priemer rezného drôtu	Диаметър на режещото влакно	1,5 mm
Lõikevõimsus	Duljina rezanja	Kapaciteta rezanja	Kapacita rezanja	Капацитет на рязане	27 cm
Vibratsioonitase (vastavalt standardi EN 786 lisale D)	Razina vibracije (u skladu s Dodatkom D EN 786)	Raven vibracij (v skladu z aneksom D v EN 786)	Úroveň vibrácií (v súlade s Dodatkom D normy EN 786)	Ниво на вибрация (в съответствие с приложение D на EN 786)	
Tagumine käepide	Stražnja ručica	Zadnji ročaj	Zadná rukoväť	Задна ръкохватка	3,0 m/s ²
Eesmine käepide	Prednja ručka	Sprednji ročaj	Predná rukoväť	Предна ръкохватка	3,0 m/s ²
Mõõtmismääratus	Neodređenost mjerenja	Negotovost meritev	Nespoľahlivosť meraní	Несигурност на измерването	1,5 m/s ²
Mõõrmissiooni tase (vastavalt standardi EN 786 lisale E)	Razina emitirane buke (u skladu s Dodatkom E EN 786)	Raven emisij hrupa (v skladu z aneksom E v EN 786)	Úroveň emisij hluku (v súlade s Dodatkom E normy EN 786)	Ниво на шумова емисия (в съответствие с приложение E на EN 786)	
A-kaalutud helirõhu tase	Ponderirana razina tlaka zvuka	A-izmerjena raven zvočnega tlaka	Vážená A hladina akustického tlaku	Ниво на шумово налягане с равнище A	81,4 dB(A)
Mõõtmismääratus	Neodređenost mjerenja	Negotovost meritev	Nespoľahlivosť meraní	Несигурност на измерването	3,0 dB(A)
A-kaalutud helivõimsuse tase	Ponderirana razina zvučne snage	A-izmerjena raven zvočne moči	Vážená A hladina akustického výkonu	Ниво на силата на шума с равнище A	94,6 dB(A)
Mõõtmismääratus	Neodređenost mjerenja	Negotovost meritev	Nespoľahlivosť meraní	Несигурност на измерването	1,5 dB(A)
Kaal	Težina	Teža	Hmotnosť	Тегло	2,84 kg
Asendusosad	Zamjena dijelova	Nadomestni deli	Náhradné diely	Резервни части	
1,5 mm Pooli täiskomplekt	1,5 mm Cijeli kalem	1,5 mm Celotno vreteno	1,5 mm Kompletná cievka	1,5 mm Цялостна макара	RAC122
1,5 mm Pooli (3 tk)	1,5 mm Kalema (3 kom)	1,5 mm Vreteno (3 kos)	1,5 mm Cievky (3 ks)	1,5 mm Макарата (3 бр.)	RAC123



EN GUARANTEE

In addition to any statutory rights resulting from the purchase, this product is covered by a guarantee as stated below.

1. The guarantee period is 24 months for consumers and commences on the date when the product was purchased. This date has to be documented by an invoice or other proof of purchase. The product is designed and dedicated to consumer and private use only. So there is no guarantee provided in case of professional or commercial use.
2. There is, in some cases (i.e. promotion, range of tools), a possibility to extend the warranty period over the period described above using the registration on the www.ryobitools.eu website. The eligibility of the tool is clearly displayed in stores and/or on packaging. The end user needs to register his/her newly-acquired tools online within 8 days of the date of purchase. The end user may register for the extended warranty in his country of residence if listed on the online registration form where this option is valid. Furthermore, end users must give their consent to the storage of the data which are required to enter online and they have to accept the terms and conditions. The registration confirmation receipt, which is sent out by e-mail, and the original invoice showing the date of purchase will serve as proof of the extended warranty. Your statutory rights remain unaffected.
3. The guarantee covers all defects of the product during the warranty period due to defaults in workmanship or material at the purchase date. The guarantee is limited to repair and/or replacement and does not include any other obligations including but not limited to incidental or consequential damages. The warranty is not valid if the product has been misused, used contrary to the instruction manual, or being incorrectly connected. This guarantee does not apply to
 - any damage to the product that is the result of improper maintenance
 - any product that has been altered or modified
 - any product where original identification (trade mark, serial number) markings have been defaced, altered or removed
 - any damage caused by non-observance of the instruction manual
 - any non CE product
 - any product which has been attempted to be repaired by a non-qualified professional or without prior authorization by Techtronic Industries
 - any product connected to improper power supply (amps, voltage, frequency)
 - any product used with inappropriate fuel mixture (fuel, oil, percentage of oil)
 - any damage caused by external influences (chemical, physical, shocks) or foreign substances
 - normal wear and tear of spare parts
 - inappropriate use, overloading of the tool
 - use of non-approved accessories or parts
 - carburettor after 6 months, carburettor adjustments after 6 months
 - components (parts and accessories) subject to natural wear and tear, including but not limited to bump knobs, drive belts, clutch, blades of hedge trimmers or lawn mowers, harness, cable throttle, carbon brushes, power cord, tines, felt washers, hitch pins, blower fans, blower and vacuum tubes, vacuum bag and straps, guide bars, saw chains, hoses, connector fittings, spray nozzles, wheels, spray wands, inner reels, outer spools, cutting lines, spark plugs, air filters, gas filters, mulching blades, etc.
4. For servicing, the product must be sent or presented to an RYOBI authorized service station listed for each country in the following list of service station addresses. In some countries your local RYOBI dealer undertakes to send the product to the RYOBI service organisation. When sending a product to an RYOBI service station, the product should be safely packed without any dangerous contents such as petrol, marked with sender's address and accompanied by a short description of the fault.
5. A repair/replacement under this guarantee is free of charge. It does not constitute an extension or a new start of the guarantee period. Exchanged parts or tools become our property. In some countries delivery charges or postage will have to be paid by the sender.
6. This guarantee is valid in the European Community, Switzerland, Iceland, Norway, Liechtenstein, Turkey and Russia. Outside these areas, please contact your authorized RYOBI dealer to determine if another warranty applies.

AUTHORISED SERVICE CENTRE

To find an authorised service centre near you, visit <http://www.ryobitools.eu/service-support/service-agents>

FR GARANTIE

En plus des droits statutaires liés à l'achat, ce produit est couvert par une garantie telle que décrite ci-dessous.

1. La durée de la garantie accordée au consommateur est de 24 mois à partir de la date d'achat. Cette date doit être authentifiée par une facture ou tout autre preuve d'achat. Le produit a été conçu en vue d'une utilisation strictement privée. Aucune garantie ne s'applique donc en cas d'utilisation professionnelle ou commerciale.
2. Il existe, dans certains cas (par exemple promotion, gamme d'outils), une possibilité d'étendre la période de garantie au-delà de la période précédemment décrite en utilisant le formulaire d'enregistrement présent sur le site Internet www.ryobitools.eu. L'éligibilité d'un outil est clairement affichée dans les points de vente et/ou sur l'emballage. L'utilisateur final doit enregistrer son/ses outil(s) nouvellement acheté(s) en ligne dans les 8 jours qui suivent la date d'achat. L'utilisateur a la possibilité de s'enregistrer pour l'extension de garantie dans son pays de résidence si celui-ci est listé dans le formulaire d'enregistrement en ligne où cette option est valide. L'utilisateur final doit donner son consentement pour l'enregistrement des données requises pour accéder au site et doit accepter les termes et conditions. La confirmation d'enregistrement, envoyée par courrier électronique, ainsi que la facture originale mentionnant la date d'achat serviront de preuve de l'extension de garantie. Vos droits statutaires restent inchangés.
3. La garantie couvre les défauts des pièces et de main d'oeuvre du produit pendant la période de garantie à partir de la date d'achat. La garantie n'inclut aucune autre obligation, tel que, mais sans s'y limiter, les dommages accessoires ou indirects. La garantie est non valable en cas de mauvaise utilisation du produit, d'utilisation contraire aux instructions du mode d'emploi, ou en cas de branchement incorrect. Cette garantie ne s'applique pas pour :
 - tout dommage au produit résultant d'un mauvais entretien
 - tout produit ayant été altéré ou modifié
 - tout produit dont les marquages originaux d'identification (marque, numéro de série) ont été dégradés, altérés ou retirés
 - tout dommage causé par le non-respect des instructions du mode d'emploi
 - tout produit non CE
 - tout produit ayant subi une tentative de réparation par du personnel non qualifié ou sans autorisation préalable de Techtronic Industries
 - tout produit raccordé à une alimentation secteur non conforme (ampérage, voltage, fréquence)
 - tout produit utilisé avec un mélange inapproprié (essence, huile, pourcentage d'huile)
 - tout dommage causé par des influences extérieures (chimiques, physiques, chocs) ou par des substances étrangères
 - l'usure normale des pièces consommables
 - une utilisation inappropriée, une surcharge de l'outil
 - l'utilisation de pièces ou accessoires non agréés
 - les carburateurs après plus de 6 mois à compter de la date d'achat, également les réglages du carburateur après plus de 6 mois à compter de la date d'achat
 - les composants (pièces et accessoires) sujets à une usure naturelle, incluant de façon non exhaustive les têtes de fil à frapper, les courroies de transmission, les embrayages, les lames des taille-haies ou des tondeuses à gazon, les harnais, les câbles d'accélérateur, les charbons, les cordons d'alimentation, les fraises de cultivateurs, les rondelles feutre, les goupilles de fraise, les turbines et lame de broyage des souffleurs, les tubes de soufflage et d'aspiration des souffleurs, les sacs de souffleurs et leurs lanières, les guides-chaîne, les chaînes de tronçonneuses, les tuyaux et raccords, les buses et lances de nettoyeurs haute pression, les roues, les recharges de fil des têtes de coupe, les têtes de coupe, le fil de coupe, les bougies d'allumage, les filtres à air, les filtres à essence, etc.
4. Si le produit doit être réparé, envoyez-le à un service après-vente agréé RYOBI dont vous trouverez ci-dessous la liste pour chaque pays. Dans certains pays, votre revendeur RYOBI se chargera d'envoyer le produit à un centre de réparation RYOBI. Lorsque vous envoyez un produit à un service après-vente RYOBI, celui-ci doit être correctement emballé, sans contenir aucun produit dangereux tel que de l'essence, et vous devez indiquer votre adresse ainsi qu'une courte description du problème.
5. Une réparation / un remplacement sous garantie est gratuit(e). Ceci ne constituera pas une extension de garantie ni un nouveau départ de la période de garantie. Les pièces ou les outils remplacés deviennent notre propriété. Dans certains pays, les frais de port devront être assumés par l'expéditeur.
6. Cette garantie est valable au sein de l'Europe, de la Suisse, de l'Islande, de la Norvège, du Liechtenstein, de la Turquie, de la Russie. En dehors de ces zones, veuillez contacter votre distributeur agréé RYOBI pour déterminer si une autre garantie s'applique.

SERVICE APRÈS-VENTE AGRÉÉ

Pour trouver le service après-vente agréé le plus proche, rendez-vous sur <http://www.ryobitools.eu/service-support/service-agents>

DE GARANTIE

Zusätzlich zu den aufgrund des Kaufs entstehenden gesetzlichen Rechten, ist dieses Produkt von der unten aufgeführten Garantie abgedeckt.

- Die Garantiezeit für Endverbraucher beträgt 24 Monate für und beginnt ab dem Kaufdatum des Produktes. Dieses Datum muss durch eine Rechnung oder einen anderen Kaufbeleg dokumentiert sein. Das Produkt ist ausschließlich für den Privatgebrauch entwickelt und bestimmt. Deshalb wird keine Garantie im Fall von professionellem oder kommerziellem Einsatz angeboten.
- In einigen Fällen (z.B. Promotion, auf eine bestimmte Produktpalette oder auf bestimmte Produkte begrenzt) besteht die Möglichkeit die Garantiezeit über den oben genannten Zeitraum, durch Registrierung auf der Webseite www.ryobitools.eu, zu verlängern. Der verlängerte Garantieanspruch für ein bestimmtes Produkt wird deutlich in den Geschäften und/oder auf der Verpackung des Produktes gezeigt. Der Endverbraucher muss seine neu gekauften Produkte innerhalb von 8 Tagen ab Kaufdatum registrieren. Der Endverbraucher kann sich für die erweiterte Garantie im Land seines permanenten Wohnsitzes registrieren, wenn diese Möglichkeit in dem Online-Formular gegeben ist. Des weiteren müssen die Endverbraucher ihr Einverständnis zur Speicherung der online angegebenen Daten geben und die Geschäftsbedingungen annehmen. Die per E-Mail verschickte Bestätigung der Registrierung und die Originalrechnung mit Kaufdatum dienen als Nachweis für die verlängerte Garantie. Ihre gesetzlichen Rechte bleiben unangetastet.
- Die Garantie deckt während der Garantiezeit ab Kaufdatum alle Produktmängel aufgrund von Material- oder Herstellungsmängeln ab. Diese Garantie ist auf Reparatur und/oder Ersatz beschränkt und enthält keine weiter Verpflichtungen einschließlich aber nicht beschränkt auf beiläufige oder resultierende Schäden. Die Garantie ist nicht gültig, wenn das Produkt missbräuchlich oder entgegen der Bedienungsanleitung benutzt, oder falsch angeschlossen wurde. Diese Garantie gilt nicht für:
 - Jegliche Schäden die an dem Produkt aufgrund falscher Wartung entstehen.
 - Jedes Produkt das verändert oder modifiziert wurde.
 - Jedes Produkt an dem die originale Identifizierung (Markenzeichen, Seriennummer) verunstaltet, verändert oder entfernt wurden.
 - Jede Beschädigung die durch Nichtbeachtung der Bedienungsanleitung verursacht wurde.
 - Jedes Produkt ohne CE Zeichen.
 - Jedes Produkt das von einer unqualifizierten Person oder ohne vorherige Genehmigung von Techtronic Industries versucht wurde zu reparieren.
 - Jedes Produkt das an eine falsche Stromversorgung (Ampere, Spannung, Frequenz) angeschlossen wurde.
 - Jedes Produkt das mit einer falschen Treibstoffmischung (Treibstoff, Öl, Prozentanteil von Öl) betrieben wurde.
 - Jede Beschädigung die von äußeren Einflüssen (chemisch, physisch, Stöße) oder fremden Substanzen verursacht wurde.
 - Normaler Verschleiß und Abnutzung von Ersatzteilen.
 - Zweckwidrige Benutzung, Überlastung des Werkzeugs.
 - Benutzung von nicht zugelassenem Zubehör oder Teilen.
 - Den Vergaser nach 6 Monaten, die Vergasereinstellung nach 6 Monaten.
 - Teile (Teile und Zubehörteile) die normalem Verschleiß unterliegen, einschließlich aber nicht beschränkt auf Fadenköpfe, Antriebsriemen, Kupplungen, Klängen von Heckenschneidern oder Rasenmähern, Gurtzeug, Gaszügen, Kohlebürsten, Netzkabel, Zinken, Filzunterlegscheiben, Anhangstifte, Gebläse, Gebläse- und Saugschläuche, Saugbeutel und Riemen, Führungsschienen, Sägeketten, Schläuche, Anschlüsse, Sprühdüsen, Räder, Sprühdüsen, innere Rollen, äußere Spulen, Schneidfäden, Zündkerzen, Luftfilter, Treibstofffilter, Mulchmesser usw.
- Zur Wartung muss das Produkt eingeschickt werden oder einem für jedes Land in der folgenden Liste aufgeführten autorisierten RYOBI Kundendienst gebracht werden. In einigen Ländern schickt Ihr örtlicher RYOBI Händler das Produkt an den RYOBI Kundendienst. Wenn ein Produkt an den RYOBI Kundendienst geschickt wird, sollte es sicher verpackt werden, ohne gefährlichen Inhalt, wie Treibstoff, mit der Absenderadresse versehen sein und eine kurze Beschreibung des Fehlers enthalten.
- Reparatur/Ersatz unter dieser Garantie sind kostenfrei. Das stellt keine Verlängerung oder Neustart der Garantiezeit dar. Ausgewechselte Teile oder Werkzeuge treten in unseren Besitz über. In einigen Ländern müssen Lieferkosten oder Postgebühren von dem Absender getragen werden.
- Diese Garantie gilt in der Europäische Gemeinschaft, Schweiz, Island, Norwegen, Liechtenstein, Türkei und Russland. Bitte kontaktieren Sie Ihren autorisierten RYOBI-Händler, um herauszufinden ob eine andere Gewährleistung außerhalb dieser Gebiete gültig ist.

AUTORISIERTER KUNDENDIENST

Besuchen Sie <http://www.ryobitools.eu/service-support/service-agents>, um einen autorisierten Kundendienst in Ihrer Nähe zu finden.

ES GARANTÍA

Además de cualquier derecho estatutario derivado de la compra, este producto está cubierto con la siguiente garantía.

- El período de garantía es de 24 meses para los consumidores y comienza a partir de la fecha de compra del producto. Esta fecha debe demostrarse con una factura u otra prueba de compra. El producto está diseñado y destinado al consumidor y únicamente para uso privado. Por tanto, no se ofrece ninguna garantía en caso de uso profesional o comercial.
- En algunos casos (como promociones o un conjunto de herramientas) existe la posibilidad de ampliar el período de garantía hasta el período descrito anteriormente mediante el registro en el sitio web www.ryobitools.eu. La elegibilidad de la herramienta se muestra claramente en las tiendas o en el embalaje. El usuario final debe registrar sus herramientas recién adquiridas en línea en los 8 días siguientes a la fecha de compra. El usuario final podrá registrarse para ampliar la garantía en su país de residencia si éste aparece en el formulario de registro en línea en que esta opción es válida. Además, los usuarios finales deben dar su consentimiento para que se guarden los datos que se solicitan para entrar en línea y aceptar los términos y condiciones. El recibo de la confirmación de registro, que se enviará por correo electrónico, y la factura original que muestre la fecha de compra servirán como prueba de la ampliación de la garantía. Sus derechos estatutarios permanecerán intactos.
- La garantía cubre, durante el período de garantía, todos los defectos del producto que se deban a fallos de la mano de obra o a fallos del material en la fecha de compra. La garantía tiene un límite de reparación o sustitución y no incluye ninguna otra obligación se deba a, aunque sin limitarse a ello, daños accidentales o incidentales. La garantía no es válida si se ha hecho un uso inadecuado del producto, si no se ha usado siguiendo el manual de instrucciones o si se ha conectado incorrectamente. Esta garantía no se aplica a:
 - cualquier daño del producto derivado de un mantenimiento inadecuado
 - cualquier producto que haya sido alterado o modificado
 - cualquier producto en el que las marcas de identificación originales (marca comercial, número de serie) hayan sido borradas, modificadas o eliminadas
 - cualquier daño causado por el incumplimiento del manual de instrucciones
 - cualquier producto que no sea CE
 - cualquier producto que haya intentado reparar un profesional no cualificado o sin una autorización previa de Techtronic Industries
 - cualquier producto conectado a un suministro eléctrico inadecuado (amperios, tensión, frecuencia)
 - cualquier producto utilizado con una mezcla de combustible inadecuada (combustible, aceite, porcentaje de aceite)
 - cualquier daño causado por influencias externas (de productos químicos, daños físicos, descarga eléctrica) o sustancias extrañas
 - desgaste o rotura normal de las piezas de repuesto
 - uso inadecuado, sobrecarga de la herramienta
 - uso de accesorios o piezas no homologados
 - carburador después de 6 meses, ajustes del carburador después de 6 meses
 - componentes (piezas y accesorios) sujetos a un desgaste o rotura natural, incluyendo, aunque sin limitarse a ello, las perillas de las bombas, correas de transmisión, embrague, cuchillas de cortasetos o cortacésped, arnés, acelerador, escobillas de carbón, cable de alimentación, horquillas, arandelas de fieltro, pasadores de enganche, ventiladores, tubos de ventilador y de vacío, correas y bolsas de vacío, barras de guía, sierras de cadena, mangueras, accesorios de conexión, boquillas pulverizadoras, ruedas, varas riodadoras, carretes interiores y exteriores, hilos de corte, bujías, filtros de aire, filtros de gas, cuchillas de trituración, etc.
- Para el servicio, el producto debe enviarse o entregarse en un punto de servicio técnico autorizado RYOBI enumerado para cada país en la siguiente lista de direcciones de servicio técnico. En algunos países su distribuidor local RYOBI se encarga de enviar el producto a la organización del servicio de RYOBI. Al enviar un producto a un punto de servicio técnico RYOBI, el producto debe embalarse de forma segura sin que contenga ninguna sustancia peligrosa como petróleo, debe llevar la dirección del remitente e ir acompañado de una breve descripción del fallo.
- Una reparación/sustitución dentro de esta garantía se realiza de forma gratuita. No constituye una ampliación ni un reinicio del período de garantía. Las piezas o herramientas que se cambian pasan a ser de nuestra propiedad. En algunos países los gastos de envío o del franqueo deberán pagarlos el remitente.
- Esta garantía es válida en la Comunidad Europea, Suiza, Islandia, Noruega, Liechtenstein, Turquía y Rusia. Fuera de estas zonas, póngase en contacto con su distribuidor autorizado RYOBI para determinar si se aplica otra garantía.

SERVICIO TÉCNICO AUTORIZADO

Para encontrar el servicio técnico autorizado más cercano, visite <http://www.ryobitools.eu/service-support/service-agents>.



IT GARANZIA

Oltre ai legittimi diritti derivanti dall'acquisto del prodotto, quest'ultimo è coperto da garanzia come indicato nei seguenti punti.

1. Il periodo di garanzia per il consumatore è di 24 mesi ed ha inizio dalla data in cui il prodotto è stato acquistato. Questa data deve essere documentata da una ricevuta o da altra prova d'acquisto. Il prodotto è stato disegnato e progettato solo per l'utilizzo privato del consumatore. La garanzia viene invalidata in caso di utilizzo professionale o commerciale.
2. In alcuni casi (per esempio promozioni e gamme di prodotti) esiste la possibilità di estendere il periodo di garanzia oltre il periodo indicato sopra registrandosi sul sito web www.ryobitools.eu. L'idoneità del prodotto a rievolvere tale estensione viene indicata chiaramente nei punti vendita e/o sull'imballo. L'utente finale deve registrare il suo prodotto appena acquistato online entro 8 giorni dalla data d'acquisto. L'utente finale può accedere all'offerta nel suo paese quando la stessa è valida e qualora si sia registrato online. Inoltre, gli utenti finali devono dare il proprio consenso all'archiviazione dei dati che si inseriscono online indicando che i termini e le condizioni sono stati accettati. La ricezione della conferma della registrazione verrà inviata via email e la fattura originale indicante la data d'acquisto verrà utilizzata come prova della garanzia estesa. I diritti legittimi dell'utente rimarranno invariati.
3. La garanzia copre tutti i difetti di fabbricazione del prodotto durante il periodo di garanzia a causa di guasti di fabbricazione o di materiale alla data di acquisto. La garanzia è limitata alla riparazione e/o alla sostituzione e non include altri obblighi compreso ma non limitato a danni incidentali o consequenziali. La garanzia non è valida se il prodotto non è stato utilizzato come indicato nel manuale di istruzioni o se è stato collegato in maniera non corretta. La garanzia non si applica a:
 - qualsiasi danno al prodotto che sia il risultato di una scorretta manutenzione
 - qualsiasi prodotto che sia stato alterato o modificato
 - qualsiasi prodotto sul quale l'identificazione originale (marchio registrato, numero di serie) sia stata resa illegibile, sia stata danneggiata o alterata
 - qualsiasi danno causato dalla non osservanza del manuale d'istruzioni
 - qualsiasi prodotto non contrassegnato con il marchio CE
 - qualsiasi prodotto che una persona non qualificata abbia tentato di riparare o che si è tentato di riparare senza l'autorizzazione delle Techtronisianoc Industries
 - qualsiasi prodotto collegato a un'alimentazione non corretta (per amp, voltaggio, frequenza)
 - qualsiasi prodotto utilizzato con la miscela scorretta di carburante (carburante, olio, percentuale d'olio)
 - qualsiasi danno causato da agenti esterni (chimici, fisici o shock) o da sostanze estranee
 - normale usura di parti di ricambio
 - utilizzo non appropriato, sovraccaricamento di utensili
 - utilizzo non approvato di accessori o parti
 - carburatore dopo 6 mesi, regolazioni al carburatore dopo 6 mesi
 - componenti (parti e accessori) soggetti alla normale usura, compreso ma non limitato a manopole di avviamento a spinta, cinghie di trasmissione, frizione, lame di sfondatori o tagliaerba, cablaggio, cavo dell'acceleratore, spazzole al carbonio, cavi dell'alimentazione, lancette, rondelle in feltro, perni di aggancio, ventole del soffiatore, tubi del soffiatore e dell'aspirapolvere, sacchetti e cinghie dell'aspirapolvere, barre di guida, catene della motosega, tubi, raccordi del connettore, ugelli a spruzzo, ruote, bacchette a spruzzo, bobine interne, bobine esterne, fili di taglio, candele, filtri dell'aria, filtri del gas, lame di triturazione, ecc.
4. Per servizi di manutenzione, il prodotto dovrà essere mandato o presentato presso un punto di servizio clienti autorizzato RYOBI indicato nella seguente lista. In alcune nazioni il rivenditore RYOBI si occuperà di inviare il prodotto al più vicino servizio clienti Ryobi. Quando si invia un prodotto a un servizio clienti RYOBI, il prodotto dovrà essere correttamente imballato senza eventuali contenuti pericolosi quali carburanti, e contrassegnato con l'indirizzo della persona che lo ha inviato e accompagnato da una breve descrizione del problema riscontrato.
5. Si garantisce una riparazione/sostituzione gratuita quando il prodotto è coperto da garanzia. Questa sostituzione o riparazione non costituisce una estensione o un nuovo inizio di un periodo di garanzia. Le parti o l'utensile cambiati sono di proprietà della ditta. In alcune nazioni i costi di consegna o invio dovranno essere pagati dalla persona che spedisce.
6. Questa garanzia è valida all'interno della Comunità Europea, in Svizzera, Islanda, Norvegia, Liechtenstein, Turchia e Russia. Al di fuori di queste aree, si prega di contattare il proprio gestore autorizzato RYOBI per determinare se si applica un'altra garanzia.

CENTRO SERVIZI AUTORIZZATO

Per individuare il più vicino centro servizi autorizzato, visitare il sito <http://it.services.ryobitools.eu>.

NL GARANTIE

Bovenop de statutaire rechten als gevolg van de aankoop, wordt dit product gedekt door een garantie, zoals deze hieronder wordt beschreven.

1. De garantieperiode bedraagt 24 maanden voor consumenten en begint vanaf de datum waarop het product werd aangekocht. Deze datum moet worden gedocumenteerd door een factuur of ander aankoopbewijs. Het product is uitsluitend ontworpen en bedoeld voor particuliere gebruikers. De garantie vervalt bij professioneel of commercieel gebruik.
2. In enkele gevallen (vb. promotie, gereedschapsaanbod) bestaat er een mogelijkheid om de garantieperiode te verlengen met dezelfde periode als deze hierboven beschreven met behulp van de registratie op de website www.ryobitools.eu. Of het product al of niet in aanmerking komt, is duidelijk aangegeven in winkels en/of de verpakking. De eindgebruiker dient zijn/haar nieuw werktuig binnen de 8 dagen na de aankoopdatum online registreren. De eindgebruiker kan zich aanmelden voor de uitgebreide garantie in zijn verblijfsland als dit op het online registratieformulier is opgenomen wanneer deze optie geldig is. Bovendien moet de eindgebruiker zijn toestemming geven om informatie te gebruiken die nodig is om toegang te krijgen tot de website en dient de algemene voorwaarden te accepteren. Het ontvangstbewijs van dit registratieformulier, dat via e-mail wordt verzonden, en de originele factuur die de aankoopdatum vermeldt dienen als bewijs van de uitgebreide garantie. Uw statutaire rechten blijven onveranderd.
3. De garantie dekt alle defecten van het product gedurende de garantieperiode als gevolg van fouten in het werk of materiaal op de aankoopdatum. De garantie is beperkt tot de reparatie en/of vervanging en omvat geen andere verplichtingen waaronder, maar niet beperkt tot, incidentele of gevolgschade. De garantie is niet geldig als het product werd misbruikt, in tegenspraak met de gebruiksaanwijzing werd gebruikt of foutief werd verbonden. Deze garantie geldt niet voor:
 - schade aan het product als gevolg van foutief onderhoud
 - als het product op enigerlei wijze werd gewijzigd
 - als originele markeringen ter identificatie (handelsmerk, serienummer) van het product werden verwijderd of gewijzigd
 - voor schade als gevolg van het niet in acht nemen van deze gebruiksaanwijzing
 - een niet EC-product
 - een product, waaraan een niet-gekwalificeerde vakman reparaties uitvoerde of waaraan reparaties werden uitgevoerd zonder voorafgaande toestemming van Techtronic Industries
 - een product dat werd aangesloten aan een foutieve krachtbron (amps, spanning, frequentie)
 - een product dat met een ongeschikt brandstofmengsel (brandstof, olie, oliepercentage) werd gebruikt
 - schade veroorzaakt door externe invloeden (chemische, fysieke schokken) of vreemde stoffen
 - normale slijtage van reserve-onderdelen
 - foutief gebruik, overbelasting van het werktuig
 - gebruik van niet-goedgekeurde accessoires of onderdelen
 - de carburator na 6 maanden, carburatorafstellingen na 6 maanden
 - componenten (onderdelen en accessoires) die onderworpen zijn aan slijtage, met inbegrip van, maar niet beperkt tot stookknoppen, aandrijfriemen, koppeling, snijbladen van heggtrimmers of grasmaaimachines, harnassen, versnellingskabels, koolborstels, stroomsnoeren, tanden, viltrepen, trekpenen, ventilatoren, blazer- en vacuümhuizen, stofzuigzakken en –riemen, geleiders, zaagkettingen, slangen, connectoren, sproeimodellen, wielen, sproeiërs, inwendige spoelen, uitwendige spoelen, maaialijnen, bougies, luchtfilters, gasfilters, struikruimbladen, etc.
4. Voor onderhoud moet het product naar een geautoriseerd RYOBI-onderhoudsstation worden gestuurd of gebracht. Een lijst met de adressen van deze stations per land is hier opgenomen. In bepaalde landen verzendt uw plaatselijke RYOBI-verdeler het product naar de RYOBI-onderhoudsorganisatie. Als een product naar een RYOBI-onderhoudsstation wordt gezonden, moet het product veilig zijn verpakt zonder gevaarlijke inhoud, zoals benzine, met aanduiding van het adres van de verzender en met inbegrip van een korte beschrijving van de fout.
5. Een reparatie/vervanging onder deze garantie is gratis. Dit heeft geen gevolgen voor de duur van deze garantie of betekent niet dat de garantie wordt verlengd of opnieuw begint. Vervangen onderdelen of werktuigen worden onze eigendom. In bepaalde landen moeten verzendings- of leveringskosten door de verzender worden betaald.
6. Deze garantie is geldig in de Europese Unie, Zwitserland, IJsland, Noorwegen, Liechtenstein, Turkije en Rusland. Buiten deze landen neemt u contact op met uw geautoriseerde RYOBI-verdeler om te bepalen of er een andere garantie geldt is.

GEAUTORISEERD ONDERHOUDSCENTRUM

Om een geautoriseerd onderhoudscentrum in uw buurt te vinden, surf u naar <http://www.ryobitools.eu/service-support/service-agents>.



PT GARANTIA

Além de qualquer direito estatutário derivado da compra, este produto está coberto com a seguinte garantia.

- O período de garantia é de 24 meses para os consumidores e começa a partir da data de compra do produto. Esta data deve ser comprovada com uma factura ou outra prova de compra. O produto foi desenhado e destinado ao consumidor e apenas para uso privado. Portanto, não se oferece qualquer garantia em caso de uso profissional ou comercial.
- Em alguns casos (como promoções ou um conjunto de ferramentas) existe a possibilidade de ampliar o período de garantia até ao período descrito anteriormente através do registo no website www.ryobitools.eu. A elegibilidade da ferramenta mostra-se claramente nas lojas ou na embalagem. O utilizador final deve registar as suas ferramentas recém-adquiridas on-line nos 8 dias seguintes à data de compra. O utilizador final poderá registar-se para ampliar a garantia no seu país de residência se este aparecer no formulário de registo on-line em que esta opção é válida. Além disso, os utilizadores finais devem dar o seu consentimento para se guardarem os dados que se solicitam para entrar on-line e aceitar os termos e condições. A confirmação de registo, que será enviada por correio electrónico, e a factura original que mostre a data de compra servirão como prova da ampliação da garantia. Os seus direitos estatutários permanecerão intactos.
- A garantia cobre, durante o período de garantia, todos os defeitos do produto que se devam a falhas da mão-de-obra ou a falhas do material na data de compra. A garantia tem um limite de reparação ou substituição e não inclui qualquer outra obrigação que se deva a, embora sem se limitar a tal, danos acidentais ou incidentais. A garantia não é válida se se fez um uso inadequado do produto, se não se usou seguindo o manual de instruções ou se foi ligado incorrectamente. Esta garantia não se aplica a:
 - qualquer dado do produto derivado de uma manutenção inadequada
 - qualquer produto que tenha sido alterado ou modificado
 - qualquer produto em que as marcas de identificação originais (marca comercial, número de série) tenham sido apagadas, modificadas ou eliminadas
 - qualquer dano causado por incumprimento do manual de instruções
 - qualquer produto que não seja CE
 - qualquer produto que um profissional não qualificado tenha tentado reparar ou sem uma autorização prévia de Techtronic Industries
 - qualquer produto ligado a um fornecimento eléctrico inadequado (amperios, tensão, frequência)
 - qualquer produto utilizado com uma mistura de combustível inadequada (combustível, óleo, percentagem de óleo)
 - qualquer dano causado por influências externas (de produtos químicos, danos físicos, descarga eléctrica) ou substâncias estranhas
 - desgaste ou ruptura normal das peças de substituição
 - uso inadequado, sobrecarga da ferramenta
 - uso de acessórios ou peças não homologadas
 - carburador após 6 meses, ajustes do carburador após 6 meses
 - componentes (peças e acessórios) sujeitos a um desgaste ou ruptura natural, incluindo, embora sem se limitar a tal, os botões de embate, correias de transmissão, embraiagem, lâminas de corta-arbustos ou corta-relvas, ameses, acelerador, escovas de carvão, cabo de alimentação, forquilhas, anilhas de feltro, passadores de gancho, ventiladores, tubos de ventilador e de vácuo, correias e bolsas de vácuo, barras de guia, serras de cadeia, mangueiras, acessórios de ligação, boquilhas pulverizadoras, rodas, varas borrifadoras, carretes interiores e exteriores, fios de corte, velas, filtros de ar, filtros de gás, lâminas de trituração, etc.
- Para o serviço, o produto deve ser enviado ou entregue num ponto de serviço técnico autorizado RYOBI enumerado para cada país na seguinte lista de moradas de serviço técnico. Em alguns países o seu distribuidor local RYOBI encarrega-se de enviar o produto para a organização do serviço de RYOBI. Ao enviar um produto a um ponto de serviço técnico RYOBI, o produto deve ser embalado de forma segura sem que contenha qualquer substância perigosa como petróleo, deve levar a morada do remetente e ir acompanhado de uma breve descrição da falha.
- Uma reparação/substituição dentro desta garantia realiza-se de forma gratuita. Não constitui uma ampliação nem um reinício do período de garantia. As peças ou ferramentas que se alterem passam a ser da nossa propriedade. Em alguns países os gastos de envio ou da franquia deverá pagá-los o remetente.
- Esta garantia é válida na Comunidade Europeia, Suíça, Islândia, Noruega, Liechtenstein, Turquia e Rússia. Fora destas zonas, entre em contacto com o seu distribuidor autorizado RYOBI para determinar se se aplica outra garantia.

CENTRO DE ASSISTÊNCIA AUTORIZADO

Para encontrar um centro de assistência autorizado próximo de si, visite <http://www.ryobitools.eu/service-support/service-agents>.

DA GARANTI

Ud over de lovbestemte rettigheder ved køb, er dette produkt dækket af en garanti som angivet nedenfor.

- Garantien er 24 måneder for forbrugerne og træder i kraft den dato, hvor produktet bliver købt. Denne dato skal dokumenteres af en faktura eller andet købsbevis. Produktet er designet og beregnet til privat brug. Så der er ingen garanti i tilfælde af erhvervs-mæssig brug.
- Der er i visse tilfælde (f.eks. kampagner eller udvalgt produkter) mulighed for at forlænge garantien i perioden beskrevet ovenfor ved at registrere produktet på www.ryobitools.dk. Berettigelsen af produktet vises tydeligt i butikker og / eller på emballagen. Slutbrugeren skal registrere hans/hendes nyhvervede produkter online indenfor 8 dage fra købsdatoen. Slutbrugeren kan tilmelde sig den udvidede garanti i sit bopælsland, hvis det er opført på den online tilmeldingsformular. Desuden skal slutbrugere give deres samtykke til lagring af de data, der er nødvendige for at komme ind på nettet, og de er nødt til at acceptere vilkår og betingelser. Kvittingen på modtagelsen af registreringen, som udsendes via e-mail, og den originale faktura, der angiver købsdatoen, fungerer som bevis på den udvidede garanti. Dine lovbestemte rettigheder forblive uændret.
- Garantien dækker alle fejl ved produktet i løbet af garantiperioden, som kan føres tilbage til fabriktions- eller materialefejl på købsdatoen. Garantien begrænser sig til reparation og/eller udskidning og omfatter ikke andre forpligtelser inklusiv, men ikke begrænset til, skader eller følgeskader. Garantien er ikke gyldig, hvis produktet har været udsat for misbrug, anvendelse i strid med brugsanvisningen eller har været tilsluttet forkert. Denne garanti dækker ikke:
 - Enhver skade på produktet som følge af ukorrekt vedligeholdelse
 - Ethvert produkt, som er blevet ændret eller modificeret
 - Ethvert produkt, hvor de originale identifikationsmærker (varemærke, serienummer) er blevet ødelagt, ændret eller fjernet
 - Enhver skade, der skyldes manglende overholdelse af brugsanvisningen
 - Ethvert produkt uden CE-mærkning
 - Ethvert produkt, som har været udsat for forsøg på reparation af en uautoriseret fagmand eller uden accept fra Techtronic Industries
 - Ethvert produkt, der har været sluttet til forkert strømforsyning (ampere, spænding, frekvens)
 - Ethvert produkt, der har været anvendt med forkert brændstofblanding (brændstof, olie, olieforhold)
 - Enhver skade, der skyldes udefra kommende påvirkninger (kemisk, fysisk, stød) eller fremmedlegemer
 - Normal slitage på reservedele
 - Forkert anvendelse, overbelastning af produktet
 - Brug af ikke-godkendt tilbehør eller (reserve)dele
 - Karburator efter 6 måneder, karburatorjusteringer efter 6 måneder
 - komponenter (dele og tilbehør), der har været udsat for naturlig slitage, inklusive, men ikke begrænset til, afstandsknopper, drivremme, kobling, klinger på hækkeklippere eller plæneklippere, seler, gaskabel, kulbørster, strømforsyningskabel, knive, filtknive, låsestifte, blæseventilatorer, blæse- og indsuigningsrør, sugepose og stropper, styresværd, savkæder, slanger, tilslutningsfittings, sprøjtedyser, hjul, sprøjtestave, indvendige hjul, udvendige spoler, skæretråd, tændrør, luftfiltre, gasfiltre, bioklip-klinger, mv.
- Til servicering skal produktet indleveres til eller forevises et autoriseret RYOBI serviceværksted for det pågældende land. I nogle lande vil din lokale RYOBI-forhandler sende produktet til RYOBI's serviceorganisation. Når et produkt indleveres til et RYOBI serviceværksted, skal det emballeres forsvarligt uden farligt indhold (som f.eks. benzin), være forsynet med afsenderadresse og ledsaget af en kort beskrivelse af fejlen.
- Reparation/udskifning i henhold til denne garanti er gratis. Den medfører ikke forlængelse eller ny start af garantiperioden. Udskiftede dele eller værktøjer overgår til vores ejendom. I nogle lande skal leveringsomkostninger eller porto betales af afsenderen.
- Denne garanti er gyldig i EU, Schweiz, Island, Norge, Liechtenstein, Tyrkiet og Rusland. Uden for disse områder bedes man venligst kontakte sin autoriserede RYOBI-forhandler for at få opklaret, om evt. andre garantier er gældende.

AUTORISERED E SERVICEVÆRKSTEDER

Find nærmeste autoriserede serviceværksted på <http://www.ryobitools.eu/service-support/service-agents>.

SV GARANTI

Förutom de lagstadgade rättigheter som följer köpet omfattas denna produkt av en garanti som anges nedan.

- Garantitiden är 24 månader för konsumenter och börjar den dag då produkten köptes. Detta datum måste kunna dokumenteras av en faktura eller annat inköpsbevis. Produkten är utformad och avsedd för konsumenter och ska endast användas för privat bruk. Det innebär att ingen garanti lämnas vid yrkesmässig eller kommersiell användning.
- I vissa fall (t.ex. marknadsföring, sortiment av verktyg), finns det en möjlighet att förlänga garantitiden under den period som beskrivs ovan genom registrering på hemsidan www.ryobitools.eu. De verktyg det gäller för framgår tydligt i butikern och/eller på förpackningen. Slut användaren måste registrera sitt nyinköpta verktyg på nätet inom 8 dagar från inköpsdatum. Slut användaren kan registrera sig för den utökade garantitiden i sitt hemland om det framgår på registreringsformuläret online där detta alternativ är giltigt. Dessutom måste slut användarna ge sitt samtycke till lagring av de uppgifter som krävs för att komma in på nätet och de måste godkänna villkoren. Registreringens mottagningsbevis som skickas ut via e-post och den ursprungliga fakturan som visar inköpsdatum fungerar som bevis på förlängd garantitid. Dina lagstadgade rättigheter påverkas inte.
- Garantin täcker alla fel på produkten under garantitiden som beror på fel i utförande eller material vid inköpsdatumet. Garantin är begränsad till reparation och/eller utbyte och inkluderar inte några andra åtaganden, inklusive men inte begränsat till oförutsedda skador eller följdskador. Garantin gäller inte om produkten har använts på fel sätt, använts på ett sätt som inte följer användarhandboken eller som har anslutits på ett felaktigt sätt. Denna garanti gäller inte för:
 - skador på produkten som beror på felaktigt underhåll
 - om produkten har ändrats eller modifierats
 - en produkt där den ursprungliga identifieringen (varumärke, serienummer) har förstörts, ändrats eller tagits bort
 - skador som orsakas av att användarhandboken inte har följts
 - alla produkter som inte följer CE-bestämmelser
 - en produkt som en icke-kvalificerad yrkesperson eller en person som inte har behörighet från Technonic Industries har försökt att reparera
 - en produkt som ansluts till eluttaget (ampere, spänning, frekvens) på fel sätt
 - en produkt som används med olämplig bränsleblandning (bränsle, olja, procent av olja)
 - skador som orsakas av yttre påverkan (kemiska, fysikaliska, stötar) eller främmande ämnen
 - normalt slitage av reservdelar
 - felaktig användning, överbelastning av verktyget
 - användning av icke-godkända tillbehör eller delar
 - förgasare efter 6 månader, justering av förgasare efter 6 månader
 - komponenter (delar och tillbehör) med förbehåll för normalt slitage, inklusive men inte begränsat till stötknappar, drivremmar, koppling, blad av häcksaxar eller gräsklippare, sele, kabelhållare, kolborstar, nätkabel, pinnar, filtbrickor, hitchkopplingar, blåsfåtkar, fläkt- och vakuumpör, vakuumpåse och remmar, ledskenor, sågkedjor, slangar, anslutningar, sprutmunstycken, hjul, sprayanordningar, inre spolar, yttre spolar, skärande linjer, tändstift, luftfilter, gasfilter, marktäckningsblad, osv.
- För service, måste produkten skickas eller presenteras till en RYOBI-godkänd servicestation som anges för varje land i följande lista med adresser. I vissa länder ombesörjer den lokala RYOBI-återförsäljaren att skicka produkten till RYOBI-serviceorganisationen. När en produkt skickas till en RYOBI-servicestation, ska produkten förpackas på ett säkert sätt utan farligt innehåll som bensin, märkt med avsändarens adress tillsammans med en kort som beskriver felet.
- En reparation/utbyte som sker under denna garanti är gratis. Den utgör inte en förlängning eller en ny start på garantitiden. Utbyts delar eller verktyg blir vår egendom. I vissa länder måste leveranskostnader eller porto betalas av avsändaren.
- Denna garanti gäller i EU, Schweiz, Island, Norge, Liechtenstein, Turkiet och Ryssland. Utanför dessa områden ska du kontakta din auktoriserade RYOBI-återförsäljare för att avgöra om en annan garanti gäller.

AUKTORISERAT SERVICECENTER

Du hittar närmaste auktoriserade servicecenter genom att gå till <http://www.ryobitools.eu/service-support/service-agents>.

FI TAKUU

Hankinnasta kuitioivien laillisten oikeuksien lisäksi tätä tuotetta hallitsee alla kuvattu takuu.

- Takuukausi on 24 kuukautta kuluttajille ja alkaa tuotteen ostopäivästä. Tämän päivän on oltava merkitty kuittiin tai muuhun todisteseen hankinnasta. Tämä tuote on suunniteltu ja tarkoitettu ainoastaan kuluttajien yksityiskäyttöön. Ammatti- ja kaupalliseen käyttöön ei näin ollen ole takuuta.
- Joissain tapauksissa (kuten tarjous, laitesarjat) takuukautta voidaan pidentää kuvattua kautta pidemmäksi rekisteröimällä tuote osoitteessa www.ryobitools.eu. Takuun pidentämishakemuksia ilmoitetaan selkeästi kaupassa jätetä pakkauksessa. Loppukäyttäjän on rekisteröitävä uusi laitteensa online 8 päivän sisällä sen hankkimisesta. Loppukäyttäjän voi rekisteröityä saadakseen jatkuvan takuun asuinmaassaan, jos se mainitaan online-rekisteröintilomakkeessa. Lisäksi, loppukäyttäjän on annettava suostumuksensa tallentaa syötetyt tiedot online, ja hänen on hyväksyttävä ehdot. Sähköpostitse lähetettävä rekisteröintivahvistus ja alkuperäinen kuitti, josta ilmenee hankintapäivä, toimivat todisteenä takuun jatkamisesta. Lailliset oikeudet eivät muutu.
- Takuu kattaa takuuaikana kaikki tuotteen viat, jotka johtuvat valmistus- tai materiaaliavista hankintapäivänä. Takuu rajoittuu korjaukseen ja/ tai vaihtoon eikä sisällä mitään muita velvoitteita, mukaan lukien mm. satunnaiset ja seuraamukselliset vauriot. Takuu ei ole voimassa, jos tuotetta on väärinkäytetty tai käytetty käyttöoppaan vastaisesti tai se on kytketty virheellisesti. Takuu ei kata seuraavia:
 - tuotteelle koituneet vahingot, jotka johtuvat virheellisestä ylläpidosta
 - tuote, jota on muunneltu
 - tuote, jossa alkuperäiset tunnisteen (tavaramerkki, sarjanumero) ovat turmeltuneet tai niitä on muutettu tai ne on poistettu
 - käyttöoppaan laiminlyönnistä johtuvat vauriot
 - ei-EC-tuotteet
 - tuotteet, jolla on yrittänyt korjata ei-pätevä asentaja tai jonka korjaukselle ei ole saatu Technonic Industriesiltä hyväksyntää etukäteen
 - tuotteet, jotka on kytketty vääränlaiseen virtalähteeseen (virta, jännite, taajuus)
 - tuote, jossa on käytetty virheellistä polttoaineseosta (polttoaine, öljy, öhlyn osuus)
 - vauriot, jotka johtuvat ulkoisista syistä (kemikaalit, fyysiset tekijät, iskut) tai vieraista aineista
 - normaali varaosien kuluminen
 - virheellinen käyttö, laitteen ylikuormitus
 - muiden kuin hyväksytyjen lisävarusteiden ja osien käyttö
 - kaasutin 6 kuukauden jälkeen, kaasuttimen säätö 6 kuukauden jälkeen
 - komponentit (osat ja lisävarusteet), joihin kohdistuu luonnollista kulumista, mukaan lukien mm. napautusnupit, vetohihnat, kytin, pensastrimmeriden ja ruohonleikkurien terät, valjaat, kaapelikaasutin, hiilijarhat, virtajohto, piikit, huopavälilevyt, sokat, puhallimet, puhallin- ja imuputket, polynimurin pussit ja hihnat, terälevyt, teräketjut, letkut, liittimet, suuttimet, pyörät, suihkuputket, sisäkelat, ulkoiset kelat, leikkusuimat, syytystulpat, ilmansuodattimet, polttoainesuodattimet, silppuriterät jne.
- Huollon saaminen edellyttää, että tämä tuote lähetetään tai viedään RYOBI:n valtuuttamaan huoltoon, jotka luetaan maittain seuraavassa huoltojen osoiteluettelossa. Joissain maissa paikallinen RYOBI-jälleenmyyjä hoitaa tuotteen lähettämisen RYOBI-huoltoon. Kun tuote lähetetään RYOBI-huoltoon, se on pakattava turvallisesti ilman mitään vaarallista sisältöä, kuten bensiniä, siihen on merkittävä lähettäjän osoite ja sen mukana on lähetettävä vian kuvaus.
- Tämän takuun puitteissa tapahtuva korjaaminen/vaihto on ilmaista. Se ei merkitse takuujakson jatkamista tai uuden kauden alkua. Vaihdetuista osista ja laitteista tulee meidän omaisuuttamme. Joissain maissa lähettäjän on maksettava toimituskulut tai postimaksu.
- Tämä takuu on voimassa Euroopan Yhteisössä, Sveitsissä, Islannissa, Norjassa, Liechtensteinissa, Turkissa ja Venäjällä. Jos olet näiden alueiden ulkopuolella, ota yhteys valtuutettuun RYOBI-jälleenmyyjään, joka voi kertoa, onko joku muu takuu voimassa.

VALTUUTETTU HUOLTO

Voit etsiä lähimmän valtuutetun huollon sivulta <http://www.ryobitools.eu/service-support/service-agents>.

NO GARANTI

I tillegg til enhver lovbestemt rettighet som følge av dette kjøpet er dette produktet dekket av en garanti som beskrevet nedenfor.

- Garantitiden er 24 måneder for forbrukere, og starter på produktets kjøpsdato. Denne datoen må dokumenteres av faktura eller annet kjøpsbevis. Produktet er konstruert og beregnet på forbrukere og kun privat bruk. Det gis ingen garanti ved profesjonell eller kommersiell bruk.
- Det er, i noen tilfeller, (dvs. markedsføring, serie av verktøy), mulig å utvide garantitiden ut over den perioden som er nevnt ovenfor ved bruk av registrering på nettstedet www.ryobitools.eu/Verktoys_garantiberegtigelse vises klart i butikkene og/eller på emballasjen. Sluttbruker må registrere sitt nylig innkjøpte verktøy på nettet innen 8 dager etter kjøpsdatoen. Sluttbruker kan registrere seg for utvidet garanti i det landet hvor vedkommende bor hvis dette landet er ført opp på nettregistreringsskjemaet hvor dette alternativet er gyldig. Sluttbruker må også gi sin tillatelse til lagring av de data som er påkrevet å registrere på nettet, og må akseptere vilkår og betingelser. Registreringsbekreftelsen, som sendes som epost, og den originale kvitteringen som viser kjøpsdatoen, vil gjelde som bevis på den utvidede garantien. Dine lovbestemte rettigheter vil fortsatt gjelde.
- Garantien gjelder alle defekter på produktet i garantitiden som følge av feil på arbeid eller materialer på kjøpsdatoen. Garantien er begrenset til reparasjon og/eller utskifting av produktet, og inkluderer ingen annen forpliktelse, inklusive men ikke begrenset til tilfældige eller direkte eller indirekte følgeskader. Garantien gjelder ikke dersom produktet er misbrukt, brukt i strid med brukermanualens instruksjoner eller vært feilaktig tilkoblet. Denne garantien gjelder ikke:
 - enhver skade på produktet som følge av utilstrekkelig vedlikehold
 - et produkt som er endret eller modifisert
 - ethvert produkt hvor original identifikasjonsmerker (varemerke, serienummer) er tildekket, endret eller fjernet
 - enhver skade som følge av at instruksjoner i brukermanualen ikke er fulgt
 - ethvert ikke-CE-produkt
 - ethvert produkt som er forsøkt reparert av en ukvalifisert person, eller uten forutgående tillatelse av Techtron Industries
 - ethvert produkt som er tilkoblet uriktig strømkilde (ampere, spenning, frekvens)
 - ethvert produkt som er brukt med feil drivstoffblanding (drivstoff, olje, prosentvis andel olje)
 - enhver skade forårsaket av eksterne påvirkninger (kjemiske, fysiske eller slag) eller fremmede substanser
 - normal slitasje på reservedeler
 - feilaktig bruk, overbelastning av verktøyet
 - bruk av ikke godkjent tilbehør eller reservedeler
 - forgasser etter 6 måneder, forgasserjusteringer etter 6 måneder
 - komponenter (deler og tilbehør) gjenstand for naturlig slitasje, inklusive men ikke begrenset til dunkeknotter, drivreimer, clutch, kniver på hekklippere eller gressklippere, seler, gasswire, karbonborster, elektriske ledninger, tenner, filt-pakninger, skaftpinner, blåseviser, blåse- og sugeslanger, oppsamlingsposer, motorsagssverd, sagkjeder, slanger, tilkoblingsdeler, sprøytedyser, hjul, sprøytestaver, innvendige ruller, utvendige spoler, klippesnorer, tennplugger, luftfiltere, gassfiltere, oppkappingsblader, etc.
- For ettersyn og reparasjoner må produktet leveres til et RYOBI- autorisert servicesenter fært opp for det enkelte land i følgende liste av servicestasjonsadresser. I noen land vil din lokale RYOBI-forhandler sørge for å sende produktet til RYOBI's serviceorganisasjon. Når et produkt sendes til en RYOBI servicestasjon må produktet være forsvarlig emballert uten farlig innhold som bensin, merket med senders navn og adresse og medsendt en kort beskrivelse av feilen.
- En reparasjon/utskifting i henhold til denne garantien er gratis. Den representerer ikke en forlengelse av garantiperioden eller en ny start på garantiperioden. Utskiftede deler eller verktøy blir vår eiendom. I noen land vil leveringskostnader eller porto måtte betales av sender.
- Denne garantien er gyldig i EU, Sveits, Island, Norge, Liechtenstein, Turkia og Russland. Utenfor disse områdene ber vi om at du kontakter en autorisert RYOBI-forhandler for å finne ut om en annen garanti gjelder.

AUTORISERT SERVICESENTER

For å finne et autorisert servicesenter i nærheten, gå til <http://www.ryobitools.eu/service-support/service-agents>.

RU ГАРАНТИЯ

В дополнение к законным правам, вытекающим из факта покупки, на данный продукт распространяются следующие гарантийные обязательства.

- Гарантийный период составляет 24 месяца для покупателей и начинается с даты приобретения продукта. Дата приобретения подтверждается документально товарным чеком или другим доказательством покупки. Данный продукт предназначен для использования только в личных целях. Гарантия не предоставляется в случае профессионального или коммерческого использования данного продукта.
- В некоторых случаях (например, при продвижении продукта, приобретении некоторых видов инструментов) возможно продление гарантийного срока при регистрации продукта на веб-сайте www.ryobitools.eu. Применение продукта разъясняется в магазинах при продаже и/или на упаковке продукта. Конечному пользователю следует зарегистрировать вновь приобретенный инструмент через Интернет в течение 8 дней с даты покупки. Конечный пользователь может зарегистрировать продукт для получения расширенной гарантии в стране проживания, если данная возможность предоставляется интернет-формой регистрации. Также, конечный пользователь должен дать свое согласие на хранение данных, требуемых при заполнении формы через Интернет, и принять условия соглашения. Уведомление о подтверждении регистрации, отправляемое по электронной почте, и оригинальный товарный чек с датой покупки служат доказательством расширенной гарантии. Законные права потребителя при этом остаются в силе.
- Данная гарантия распространяется на все дефекты продукта, связанные с производственным браком или браком материала в момент приобретения, в течение гарантийного периода. Данная гарантия ограничивается ремонтом и/или заменой и не включает другие обязательства, в том числе, связанные с побочным или косвенным ущербом. Гарантия недействительна в случае ненадлежащего использования, использования с нарушением инструкций руководства по эксплуатации или неправильного подключения продукта. Гарантия недействительна, если:
 - повреждение продукта вызвано ненадлежащим техническим обслуживанием
 - продукт подвергся изменениям или был модифицирован
 - оригинальная маркировка (товарный знак, заводской номер) неубоачитава, изменена или удалена
 - повреждение вызвано несоблюдением инструкций данного руководства
 - отсутствует маркировка CE
 - была попытка отремонтировать продукт невалифицированным лицом или без предварительного согласования с компанией Techtron Industries
 - продукт подключался к ненадлежащему источнику питания (ненадлежащая сила тока, напряжение, частота)
 - продукт использовался с недопустимой топливной смесью (топливо, масло, процент содержания масла)
 - повреждение вызвано внешним воздействием (химические, физические, удары) или посторонними веществами
 - это связано с нормальным износом заменяемых деталей
 - это связано с ненадлежащим использованием, перегрузкой инструмента
 - это связано с использованием нерекондованных принадлежностей или деталей
 - карбюратор использовался свыше 6 месяцев, регулировка карбюратора после 6 месяцев
 - компоненты (детали и принадлежности) подверженные естественному износу, в том числе, колпачки, приводные ремни, муфта, режущие полотна шпалерных ножиц или газонокосилок, крепящие ремни, тросик дроссельной заслонки, угольные щетки, кабель питания, фрезы, фрезевые прокладки, шпильки, крыльчатка, выпускные и всасывающие трубки, мешок для мусора и решетки, пыльные щины, пыльные щели, шланги, соединительные фитинги, распылительные насадки, колеса, распылители, внутренние обмотки, внешние обмотки, режущие струны, свечи зажигания, воздушные фильтры, газовые фильтры, механизмы для мульчирования и т.п.
- Для проведения технического обслуживания продукт следует представить в официальный центр технического обслуживания компании RYOBI в соответствии со списком по каждой стране. В некоторых странах дилерам компании RYOBI потребуется пересылка продукта в соответствующий сервисный центр компании RYOBI. При отправке продукта в центр технического обслуживания RYOBI, продукт следует упаковать надлежащим образом без содержания любых опасных веществ (таких как бензин) с указанием адреса отправителя и кратким описанием неисправности.
- Ремонт/замена продукта по условиям данной гарантии осуществляются бесплатно. В данном случае не предусмотрено продление срока гарантии или начало нового гарантийного периода. Заменяемые детали или инструмент становятся собственностью компании. В некоторых странах оплата доставки и почтовые расходы ложатся на отправителя.
- Данная гарантия действительна в странах ЕС, Швейцарии, Исландии, Норвегии, Лихтенштейне, Турции и России. Для получения информации о применении данной гарантии в других регионах обратиться к официальному дилеру компании RYOBI.

УПОЛНОМОЧЕННЫЙ СЕРВИСНЫЙ ЦЕНТР

Чтобы найти ближайший уполномоченный сервисный центр, обратитесь к веб-сайту <http://ru.ryobitools.eu/service-agents-ryobi.htm>.

PL GWARANCJA

Oprócz wszelkich praw ustawowych wynikających z zakupu, ten produkt jest objęty gwarancją jak podano poniżej.

- Okres gwarancji wynosi 24 miesiące dla konsumentów i rozpoczyna się w dniu, w którym produkt został zakupiony. Ta data musi być udokumentowana przez fakturę lub inny dowód zakupu. Produkt został zaprojektowany i jest przeznaczony wyłącznie do użytku konsumenckiego i prywatnego. W związku z tym gwarancja nie jest udzielana w przypadku zastosowań profesjonalnych i komercyjnych.
- Nie ma, w niektórych przypadkach (promocja tj. zakres narzędzi), możliwość przedłużenia okresu gwarancji w okresie opisanym powyżej przy rejestracji na stronie internetowej www.ryobitools.eu. Kwalifikowalność narzędzia jest wyraźnie określona w sklepaciu oraz/lub na opakowaniu. Użytkownik końcowy musi zarejestrować swoje nowe zakupione narzędzia online w ciągu 8 dni od daty zakupu. Użytkownik końcowy może zarejestrować się w celu rozszerzenia gwarancji w swoim kraju zamieszkania, jeśli jest on wymieniony w formularzu rejestracji online, kiedy ta opcja jest ważna. Ponadto użytkownicy końcowi muszą wyrazić zgodę na przechowywanie danych, które są wymagane do zalogowania online oraz muszą zaakceptować regulamin. Otrzymanie potwierdzenia rejestracji, które jest wysyłane na adres e-mail oraz oryginalna faktura z podaną datą zakupu będą służyć jako dowód przedłużonej gwarancji. Twoje prawa ustawowe pozostają nienaruszone.
- Gwarancja obejmuje wszystkie wady produktu w okresie gwarancyjnym, spowodowane usterekami w wykonaniu lub materiale w chwili nabycia. Gwarancja jest ograniczona do naprawy oraz/lub wymiany i nie obejmuje żadnych innych obowiązków w tym m.in. odpowiedzialności za szkody przypadkowe lub wtórne. Gwarancja nie jest ważna, jeśli produkt był użytkowany w niewłaściwy sposób, był wykorzystywany w sposób niezgodny z instrukcją obsługi lub był nieprawidłowo podłączony. Ta gwarancja nie obejmuje:
 - uszkodzenia produktu, które jest wynikiem nieprawidłowej konserwacji
 - produktu, który został przerobiony lub zmodyfikowany
 - produktu, w którym znieskształcono, zmieniono lub usunęto oryginalne oznaczenia (nazwę handlową, numer seryjny)
 - uszkodzeń spowodowanych nieprzebraniem instrukcji obsługi
 - produktu bez certyfikatu CE
 - produktu, który był naprawiany przez niewykwalifikowaną osobę lub bez uprzedniej autoryzacji firmy Techtronic Industries
 - produktu podłączonego do nieprawidłowego źródła zasilania (napięcie, napięcie, czystość)
 - produktu używanego z nieprawidłową mieszanką paliwa (paliwo, olej, zawartość procentowa oleju)
 - uszkodzeń spowodowanych przez czynniki zewnętrzne (chemiczne, fizyczne, uderzenia) lub obce substancje
 - normalnego zużycia części zamiennych
 - niewłaściwego użytkowania, przecięcia narzędzia
 - stosowania niezatwierdzonych akcesoriów lub części
 - gaźnika po 6 miesiącach, regulacji gaźnika po 6 miesiącach
 - elementów (części i akcesoriów) podlegających naturalnemu zużyciu, m.in. gałek odbojnikowych, pasów napędowych, sprężki, ostrej nożyc do żywopłotów lub kosiarce, uprząży, przepustnicy, szczołek węglowych, przewodu zasilającego, zębów, podkładek filcowych, sworzniki zaczepu, wentylatorów dmuchawy, przewodów dmuchawy i podciśnieniowych, worków próżniowych i pasków, prowadnic, łańcuchów pilarki, przewodów, mocowań złączy, dyszy rozpylających, kółek, lancy rozpylających kat., dmuchawy, dmuchawy i rury próżniowe, torebrki próżniowe i paski, prowadnice, bębnowe wewnętrznych, szpulki zewnętrznych, żyłki tnącej, świec zapłonowych, filtrów powietrza, filtrów gazu, ostrej do ściółkowania itp.
- W celu serwisowania produktu należy wysłać lub okazać w autoryzowanym centrum serwisowym RYOBI wymienionym dla każdego kraju na poniższej liście adresów stacji serwisowych. W niektórych krajach lokalny dealer firmy RYOBI zobowiązuje się wysłać produkt do centrum serwisowego firmy RYOBI. W przypadku wysyłki produktu do centrum serwisowego RYOBI, produkt należy dobrze zapakować, bez umieszczenia żadnych niebezpiecznych rzeczy, tj. paliwa i oznaczyć adresem nadawcy oraz krótkim opisem usterek.
- Naprawa/wymiana w ramach tej gwarancji jest bezpłatna. Nie stanowi to przedłużenia lub nowego rozpoczęcia okresu gwarancji. Wymieniane części lub narzędzia stają się naszą własnością. W niektórych krajach koszty wysyłki lub pocztowe będą musiał być opłacone przez nadawcę.
- Ta gwarancja obowiązuje na terytorium Wspólnoty Europejskiej, Szwajcarii, Islandii, Norwegii, Liechtenstein, Turcji i Rosji. Poza tymi obszarami należy skontaktować się z autoryzowanym dealerem RYOBI aby sprawdzić, czy dostępna jest jeszcze inna gwarancja.

AUTORYZOWANY PUNKT SERWISOWY

Najbliższy autoryzowany punkt serwisowy można wyszukać w witrynie internetowej <http://www.ryobitools.eu/service-support/service-agents>.

CS ZÁRUKA

Navíc k zákonným právam, které vznikají nákupem, je k výrobku poskytována záruka.

- Záruka je období 24 měsíců pro spotřebitele a začíná běžet datem nákupu produktu. Toto datum musí být zadokumentováno fakturou nebo jiným důkazem o koupi. Tento výrobek je určen a vyhrazen jen pro domácí a soukromé používání. Záruka se tedy nepoukazuje pro profesionální ani komerční používání.
- Existuje, v některých případech (tj. propagace, určité nástroje), možnost prodloužení doby záruky nad výše uvedené období pomocí registrace na stránkách www.ryobitools.eu. Vhodnost nástroje je jasně vyobrazena v prodejních a/nebo na obalu. Koncový uživatel musí zaregistrovat své nové pořízené nástroje online během 8 dní od data nákupu. Koncový uživatel se může zaregistrovat k prodloužení doby záruky v zemi jeho trvalého bydliště, pokud je uvedeno v online registračním formuláři, kde je tato možnost platná. Navíc musí koncový uživatel poskytnout souhlas s uchováním údajů, které jsou zapotřebí do online registru a musí přijmout podmínky smlouvy. Přijetí potvrzení o registraci, odeslané e-mailem, a originální faktura udávající datum nákupu slouží jako důkaz prodloužené záruky. Vaše zákonná práva zůstávají nedotčena.
- Záruka pokrývá veškeré vady produktu během záruky způsobené vadami při zpracování nebo v materiálu v době nákupu. Záruka se omezuje na opravu a/nebo výměnu a nezahrnuje žádné jiné závazky včetně, ale ne omezené na souvisící nebo následné škody. Záruka neplatí, pokud, pokud se produkt nesprávně používal, používal v rozporu s návodem nebo byl nesprávně zapojen. Záruka nelze uplatnit v následujících případech:
 - jakákoliv škoda na výrobku v důsledku nesprávné údržby
 - jakýkoliv výrobek byl pozměněn či modifikován
 - jakýkoliv výrobek, kde byly původní identifikační značky (obchodní značka, výrobní číslo) odstraněny, pozměněny či modifikovány
 - jakákoliv škoda způsobená nedodržováním návodu k obsluze
 - výrobek nemá značku CE
 - každý výrobek, kde došlo k pokusu jej opravit nekvalifikovanou osobou nebo bez předchozího souhlasu společnosti Techtronic Industries
 - každý výrobek byl připojen nesprávnému napájení (proud, napětí, frekvence)
 - každý výrobek, který se používal s nesprávnou palivovou směsí (palivo, olej, podíl oleje)
 - veškeré škody byly způsobeny externími vlivy (chemické, fyzické, nárazy) či cizími látkami
 - běžné opotřebení a spotřební náhradní díly
 - nevhodné používání, přetěžování nástroje
 - použití neschválených doplňků nebo dílů
 - karburátor po 6 měsících, seřízení karburátoru po 6 měsících
 - komponenty (díly a doplňky) podléhající běžnému opotřebení, včetně, ale ne omezené, nárazových tlačítek, hnacích řemenů, spojky, nožů plotostříhu či sekaček trávy, postroje, lanka škrtící klapky, uhlikových kartáčů, napájecího kabelu, plechů, plstěných podložek, závlaček, ventilátorů fukaru, hadic fukaru a vysavače, vaku vysavače a popruhu, vodičích lišt, pilových řetězů, hadic, spojovacích tvarovek, rozprašovačích trysek, kol, střikací trubice, vnitřních, vnějších cívek, sekacích strun, zapalovačích svíček, vzduchových filtrů, spalňových filtrů, umíčovacích nožů atd.
- Pro servis výrobku je třeba zaslat nebo předložit pověřenému servisnímu středisku RYOBI dle seznamu adres servisních středisek. V některých zemích váš místní prodejce RYOBI provádí odeslání výrobku servisní organizaci RYOBI. Při zaslání výrobku servisnímu středisku RYOBI by se měl výrobek bezpečně zabalit bez nebezpečného obsahu jako benzin, označit adresu odesílatele a přiložit list krátkým popisem vady.
- Oprava/výměna během záruky je bezplatná. Neznamená prodloužení ani začátek nového záručního období. Vyměněné díly či nástroje se stávají naším vlastnictvím. V některých zemích doručení či poštovné platí odesílatelem.
- Záruka je platná v Evropské unii, Švýcarsku, Islandu, Norsku, Lichtenštejnsku, Turecku a Rusku. U ostatních oblastí prosím kontaktujte pověřeného prodejce RYOBI pro upřesnění, zda platí jiná záruka.

POVĚŘENÉ SERVISNÍ STŘEDISKO

Pro nalezení nejbližšího pověřeného servisního střediska navštivte <http://www.ryobitools.eu/service-support/service-agents>.

HU GARANCIA

A vásárlással összefüggő esetleges törvény adta jogok mellett a termékre az alábbiakban részletezett garancia vonatkozik.

1. A garancia időtartama a fogyasztók számára 24 hónap, ami a termék megvásárlásának napjától számítódik. Ezt a dátumot számlával vagy a vásárlást igazoló más dokumentummal kell igazolni. A terméket kizárólag a vevő által, személyes célokra való használatra tervezték és készítették. Ezért a garancia nem vonatkozik a profik általi vagy üzleti célokra való használatra.
2. Egyes esetekben (pl. promóció, bizonyos termékcsaládok) lehetőség van a garancia időtartamának a fent leírt garanciaperióduson túli meghosszabbítására a www.ryobitools.eu webhelyen történő regisztrációval. Az, hogy egy adott gép jogosult-e erre, egyértelműen fel van tüntetve a boltokban és/vagy a csomagoláson. A végfelhasználónak a vásárlás napjától számított 8 napon belül regisztrálnia kell az újonnan beszerzett gépet. A végfelhasználó a kiterjesztett garanciáért a lakóhelye szerinti országban regisztrálhat, ha az szerepel az online regisztrációs űrlapon. Emellett a végfelhasználónak hozzá kell járulnia az online belépéshez szükséges adatai tárolásához és el kell fogadnia a szerződési feltételeket. A regisztráció e-mailedben küldött vizsgálójelzése, valamint a vásárlást igazoló eredeti számla szolgálják a kiterjesztett garancia érvényesítésére. A törvény adta jogai nem sérülnek.
3. A garancia a garancia időtartama alatt a termék összes olyan hibájára kiterjed, amelyek a vásárlás napján is fennálló gyártási vagy anyaghiba miatt következnek be. A garancia javításra és/vagy cserére korlátozódik, és nem tartalmaz további kötelezettséget, beleértve, de nem kizárólag a véletlenszerű vagy következetes károkra vonatkozó kötelezettségeket sem. A garancia nem érvényes a termék helytelen használatára, a használati utasításban leírtakkal ellentétes használatára vagy hibás csatlakoztatása esetén. A garancia nem vonatkozik a következőkre:
 - a termék helytelen karbantartásból eredő esetleges károsodásokra
 - átalakított vagy módosított termékekre
 - olyan termékre, melyen az eredeti azonosító jelöléseket (védjegy, sorozatszám) megrongálták, átalakították vagy eltávolították
 - a használati utasítás be nem tartásával összefüggő károkra
 - a CE minősítéssel nem rendelkező termékre
 - a nem képzett szakember által vagy a Technronic Industries előzetes jóváhagyása nélküli javított termékre
 - a nem megfelelő tápforrásokhoz (áramerősség, feszültség, frekvencia) csatlakoztatott termékre
 - a nem megfelelő üzemanyag-keverékkel (üzemanyag, olaj, olajárány) használt termékre
 - külső hatások (vegyi, fizikai, ütés) vagy idegen anyagok által okozott károsodásokra
 - a cserealkatrészek normál kopására és elhasználódására
 - helytelen használatra, a szerszám túlterhelésére
 - nem jóváhagyott tartozékok vagy alkatrészek használatára
 - a karburátorra 6 hónap elteltével, a karburátor beállításaira 6 hónap elteltével
 - Természetes elhasználódásnak és kopásnak kitett összetevőkre (alkatrészek és tartozékok), beleértve de nem kizárólag az ütközőgombokra, hajtószíjakra, tengelykapcsolóra, sóvényvágó vagy fűnyíró kecséire, vezetékkecsékre, gázkábelekre, szénkefékre, tápkábeleire, kapákra, nemez alátétkarikákra, sasszegekre, fűvágó ventilátoraira, fűvő és vákuumszívókra, fűszívókákra és szíjakra, lánccvetőkre, fűrészlánccokra, tömlőkre, csatlakozókra, szűrőfejekre, kerekre, lánzsákra, belső orsókra, külső orsókra, vágószálakra, gyújtógyertyákra, légszűrőkre, üzemanyagszűrőkre, tömörítő kapákra stb.
4. A szervizeléshez a terméket el kell küldeni vagy be kell mutatni valamelyik hivatalos RYOBI szervizközpontban, melyek elérhetősége az egyes országokban az alábbiakban van megadva. Egyes országokban a RYOBI kereskedő vállalja, hogy elküldi a terméket a RYOBI szervizbe. A terméknek a RYOBI szervizeltetésére való küldésekor a termék biztonságosan be kell csomagolni, mindenféle veszélyes anyagot, pl. üzemanyagot el kell távolítani belőle, meg kell adni a feladó címét és a hiba rövid leírását.
5. A garancia keretében végzett javítás/cseréje ingyenes. Ugyanakkor ez nem jelenti a garancia időtartamának kiterjesztését vagy új garanciaperiódus kezdetét. A kicserélt alkatrészek vagy szerszámok a mi tulajdonunkban maradnak. Egyes országokban a szállítási vagy a postaköltségeket a feladó fizeti.
6. Ez a garancia az Európai Közösségekben, Svájcban, Izlandon, Norvégiában, Liechtensteinben, Törökországban és Oroszországban érvényes. Ezen területeken kívül az érvényes garancia-feltételeket illetően lépjen kapcsolatba a hivatalos RYOBI forgalmazóval.

HIVATALOS SZERVIZKÖZPONT

A legközelebbi hivatalos szervizközpont megtalálásához látogasson el a <http://www.ryobitools.eu/service-support/service-agents> webhelyre.

RO GARANȚIE

În plus față de alte drepturi statutare rezultând din achiziție, produsul este acoperit de o garanție ca cea menționată mai jos.

1. Perioada de garanție este de 24 de luni pentru consumatorii și începe de la data la care produsul a fost achiziționat. Această dată trebuie să fie dovedită de o factură sau altă dovadă de cumpărare. Produsul este proiectat și dedicat pentru consumator și doar pentru uz privat. Ca urmare nu există nicio garanție asigurată în caz de folosire profesională sau comercială.
2. Există, în anumite cazuri (de ex. promoții, game de produse) o posibilitate de a prelungi perioada de garanție peste perioada descrisă mai sus folosind înregistrarea pe site-ul www.ryobitools.eu. Eligibilitatea aparatului este afișată clar în magazine și/sau ambalaj. Utilizatorul final se poate înregistra pentru o garanție extinsă în țara sa de reședință dacă e listată pe formularul de înregistrare online acolo unde opțiunea este validă. Mai mult, utilizatorii finali trebuie să-și dea consimțământul cu privire la păstrarea datelor ce sunt cerute a fi introduse online și trebuie să accepte termenii și condițiile. Notificarea de confirmare a înregistrării, ce este trimisă prin email, și factura originală ce arată data achiziționării vor servi ca dovadă a garanției extinse. Drepturile dvs statutare rămând neafectate.
3. Garanția acoperă toate defectele produsului în timpul perioadei de garanție cauzate de defecte din procesul de producție sau ale materialului la data achiziționării. Garanția este limitată la reparație și/sau înlocuire și nu include alte obligații incluzând dar nelimitându-se la pagube incidentale sau secundare. Garanția nu este validă dacă produsul a fost folosit greșit, folosit contrar instrucțiunilor din manual sau a fost conectat incorect. Această garanție nu se aplică la:
 - orice defecțiune a produsului ca rezultat a întreținerii necorespunzătoare
 - orice produs ce a fost schimbat sau modificat
 - orice produs unde marcajul original de identificare (marcă comercială, număr serie) a fost deteriorat, schimbat sau modificat
 - orice defecțiune cauzată de nerespectarea manualului de instrucțiuni
 - orice produs non CE
 - orice produs care a fost încercat să fie reparat de către o persoană necalificată sau fără autorizare în prealabil de către Technronic Industries
 - orice produs conectat necorespunzător la sursa de curent (amperi, voltaj, frecvență)
 - orice produs folosit cu amestec necorespunzător de combustibil (combustibil, ulei, procentaj de ulei)
 - orice defecțiune cauzată de influențe externe (chimice, fizice, șocuri) sau substanțe străine
 - uzura normală a pieselor de schimb
 - folosire necorespunzătoare, suprasolicitare a sculei
 - folosire de accesorii și părți neaprobate
 - carburator după 6 luni, reglări ale carburatorului după 6 luni
 - componente (părți și accesorii) subiect a uzurii naturale, incluzând dar nelimitându-se la butoane rotative, curele de distribuție, ambreiaj, lame ale aparatelor de bordurat și tuns iarba, hamuri, cabluri de accelerație, perii de carbon, cabluri electrice, dinți ale furcii, șaibe de păsli, ventilatoare și tuburi de absorbție, sac vacuum și chingi, bare de ghidare, ferăstraie cu lanț, furture, fitinguri de conectare, vergele de pulverizat, duze de pulverizat, roți, vergele de pulverizat, bobine interioare, bobine exterioare, fire pentru tăiat, buji, filtre de aer, filtre de gaz, lame protectoare, etc
4. Pentru service, produsul trebuie să fie trimis sau prezentat la un punct service RYOBI autorizat listat pentru fiecare țară în următoarea listă cu adrese ale punctelor service. În anumite țări reprezentantul dvs local RYOBI se angajează să trimită produsul la un punct de service RYOBI. Atunci când se trimite un produs la un punct service RYOBI, produsul trebuie să fie împachetat cu grijă fără a conține produse periculoase precum benzină, marcat cu adresa expeditorului și însoțit de o scurtă descriere a defecțiunii.
5. Repararea/inlocuirea în timpul garanției este fără niciun cost. Nu constituie o prelungire sau un nou început a perioadei de garanție. Părțile sau aparatele schimbate devin proprietatea noastră. În anumite țări taxele de expediere trebuie să fie plătite de către expeditor.
6. Garanția este valabilă în Uniunea Europeană, Elveția, Islanda, Norvegia, Liechtenstein, Turcia și Rusia. În afara acestor zone, vă rugăm contactați reprezentantul dvs local autorizat RYOBI pentru a determina dacă se aplică altă garanție.

CENTRU DE SERVICE AUTORIZAT

Pentru a găsi un centru de service autorizat lângă dvs., vizitați <http://www.ryobitools.eu/service-support/service-agents>.

LV GARANTĪJA

Papildus visām likumā paredzētajām tiesībām saistībā ar iegādi šim izstrādājumam ir turpinājuma izklāstīta garantija.

1. Garantijas periods patērētājiem ir 24 mēneši, un tas sākas izstrādājuma iegādes dienā. Šim datumam ir jābūt dokumentētām rēķinā vai citā iegādi apliecinošā dokumentā. Šis izstrādājums ir izgatavots un paredzēts vienīgi patērētājam un privātai lietošanai. Profesionālais vai komerciālais lietošanas gadījumā garantija nav spēkā.
2. Atsevišķos gadījumos (piem., akcija, vairāki instrumenti) pastāv iespēja pagarināt garantijas periodu virs seīti minētā perioda, reģistrējot to www.ryobitools.eu vietnē. Instrumenta pielietojums ir skaidri norādīts veikalos un/vai uz iepakojuma. Lietotājiem ir jāreģistrē savj jauniegūtie instrumenti tiešsaistē 8 dienu laikā no iegādes datuma. Lietotājs var reģistrēties pagarinātajai garantijai savā dzīvesvietas valstī, ja tā ir norādīta tiešsaistes reģistrācijas veidlapā, kur pieejama šī iespēja. Turklāt lietotājiem ir jāievada dati tiešsaistē, jādod piekrišana šo datu uzglabāšanai un jāpiekrīt noteikumiem. Saņemtais reģistrācijas apstiprinājums, kas izsūtīts pa e-pastu, un rēķina oriģināls, kurā redzams iegādes datums, ir pagarinātās garantijas pierādījums. Jūsu likumā paredzētās tiesības netiek ietekmētas.
3. Garantija attiecas uz visiem izstrādājuma bojājumiem, kas radušies garantijas perioda laikā iegādes dienā esošo izgatavošanas vai materiāla defektu dēļ. Garantija ir ierobežota līdz remontam un/vai nomaigai un neietver citus pienākumus, ieskaitot, bet neaprobežojoties ar nejausiem vai netiesiem zaudējumiem. Garantija nav spēkā, ja izstrādājums ir liets nepareizi vai neievērojot rokasgrāmatas norādījumus vai ticis nepareizi savienots. Garantija netiecas uz:
 - izstrādājuma bojājumiem, kas radušies nepareizas apkopes dēļ;
 - izstrādājumiem, kas tikusi pielāgoti vai pārveidoti;
 - izstrādājumiem, kuru oriģinālais identifikācijas marķējums (preču zīme, sērijas numurs) ticis sabojāts, pārveidots vai noņemts;
 - bojājumiem, kurus izraisījis rokasgrāmatas norādījumu neievērošana;
 - izstrādājumiem bez CE marķējuma;
 - izstrādājumiem, kurus ir mēģinājis remontēt nekvalificēts speciālists vai kuri remontēti bez Technonic Industries atļaujas;
 - izstrādājumiem, kas tikusi pievienoti neatbilstošai energopadevei (apmēri, spriegums, frekvence);
 - izstrādājumiem, kuros izmantots nepareizs degvielas maisījums (degviela, eļļa, eļļas daudzums);
 - bojājumiem, kurus izraisījis ārēja iedarbība (ķīmiska, fiziska, triecieni) vai svešas vielas;
 - nomaļu detaļu nolietojumu un nodilumu;
 - instrumenta nepareizu lietošanu, pārslogoji;
 - neapstiprinātu detaļu un piederumu lietošanu;
 - karburatoru pēc 6 mēnešiem, karburatora regulējumiem pēc 6 mēnešiem;
 - komponentiem (detaļām un piederumiem), kas ir pakļauti dabiskam nodilumam un nolietojumam, ietverot, bet neaprobežojoties ar darbināšanas pogām, piedziņas siksnām, dzīvzoga trimeru un zāles plāvēju asmeņiem, plecu turētāju, kabeļa droseli, ogļekļa sukām, elektrības vadu, tapām, filca starplikām, sakabes tapām, pūteja ventilatoriem, pūteja un vakuuma caurulēm, vakuuma maisiem un lencēm, virzošajiem stieņiem, zāga ķēdēm, šļūtenēm, savienotāja stiprinājumiem, smidzināšanas sprauslām, riteņiem, smidzināšanas nūjām, iekšējiem ruļļiem, ārējām spolēm, griešanas auklām, aizdedzes svečēm, gaisa filtriem, gāzes filtriem, mulčēšanas asmeņiem u. c.;
4. Ja nepieciešams veikt remontu, izstrādājums jānosūta vai jānodod RYOBI pilnvarotam servisa centram, kas norādīts pie attiecīgās valsts servisa centru adresu sarakstā. Atsevišķs valstis vietējais RYOBI dīleris uzņemas nosūtīt izstrādājumu RYOBI servisa organizācijai. Nosūtot izstrādājumu RYOBI servisa centram, izstrādājuma jābūt droši iepakotam bez bīstama satura, piemēram, degvielas, marķētam ar sūtītāja adresi un kopā ar īsu aprakstu par defektu.
5. Remonts/nomaigā šīs garantijas ietvaros ir bez maksas. Tas nepagarina un neuzsāk jaunu garantijas periodu. Nomainītās detaļas un instrumenti nonāk mūsu īpašumā. Atsevišķs valstis piegādes maksa un pasta izdevumi jāsedz sūtītājam.
6. Šī garantija ir derīga Eiropas Kopienā, Šveicē, Islandē, Norvēģijā, Līhtenšteinā, Turcijā un Krievijā, Ārpus šiem reģioniem, lūdzu, sazinieties ar savu pilnvaroto RYOBI dīleri, lai noskaidrotu, vai ir spēkā cita garantija.

AUTORIZĒTS APKALPOŠANAS CENTRS

Lai atrastu tuvāko autorizēto apkalpošanas centru, apmeklējiet <http://www.ryobitools.eu/service-support/service-agents>.

LT GARANTĪJA

Be įstatymais nustatyty teisių, įgyjamų nusipirkus šį produktą, produktui taikoma toliau nurodyta garantija.

1. Pirkėjams galiojantis garantinis periodas yra 24 mėnesiai ir prasideda nuo produkto pirkimo datos. Data turi būti nurodyta sąskaitoje-faktūroje arba kitame pirkimą įrodančiame dokumente. Produkta sukurtas ir skirtas tik naudotojui ir tik asmeniniam naudojimui. Todėl garantija netaikoma produktą naudojančiam profesionaliam ar komerciniam tikslams.
2. Kai kuriais atvejais yra galimybė pratęsti garantinį laikotarpį iki toliau nurodyto laikotarpio, prieš tai užsiregistruvus www.ryobitools.eu svetainėje. Įrankio tinkamumo aiškiai parodytas parduotuvėse ir (arba) ant pakuotės. Galutinis naudotojas turi užregistruoti savo naujai įsigytus įrankius internetu per 8 dienas nuo jų pirkimo datos. Galutinis naudotojas gali užsiregistruoti dėl garantijos pratęsimo savo šalyje, jei ši pateikta registracijos internetu formoje, kurioje galimas šis pasirinkimas. Be to, galutinai naudotojai privalo duoti savo sutikimą laikyti duomenis, kuriuos reikia įvesti internete, ir jie turi sutikti su sąlygomis ir nuostatomis. Registracijos patvirtinimo pranešimas, išsiunčiamas el. paštu, ir originali sąskaityta faktūra, kurioje nurodyta pirkimo data, įrodo pratęstą garantiją. Jūsų įstatymuose nustatytioms teisėms nebus pakenkta.
3. Garantiniu laikotarpiu garantija taikoma visiems produkto trūkumams, atsiradusiems dėl prastos darbo kokybės arba prastu produkto medžiagų pirkimo dieną. Garantija taikoma tik taisymsi ir (arba) pakeltimui ir joje nenumatyti jokie kiti įsipareigojimai. Įskaitant, bet neapsinbojanat atsitiiktine ar susijusia žala. Garantija negalioja produktą netinkamai naudojant, priešingai vadove nurodytoms instrukcijoms, arba netinkamai prijungus. Garantija netaikoma šiais atvejais:
 - produktui padaryti žalai netinkamai atliekamam produkto techninė priežiūra;
 - pakeistam arba modifikuotam produktui;
 - bet kokiems produktams, kurių originalios identifikacijos (prekės ženklas, serijos numeris) žymės buvo sugadintos, pakeistos ar pašalintos;
 - bet kokiai žalai, patirtai nesaikant naudojimo vadovo;
 - bet kokiame CE nepaženklintam produktui;
 - bet kokiame produktui, kurį bandė taisyti nekvalifikuotas specialistas, arba iš anksto negavus „Technonic Industries“ leidimo;
 - bet kokiame produktui, įjungtam į netinkamą maitinimo tinklą (amperai, įtampa, dažnis);
 - bet kokiame produktui, naudojamam su netinkamu degalų mišiniu (degalai, alyva, alyvos procentinis kiekis);
 - bet kokiai žalai, kilusiai dėl išorinio poveikio (cheminis, fizinis poveikis, smūgiai) arba pašaliniių medžiagų;
 - įprastam atsarginių dalių dėvėjimuisi;
 - produktą netinkamai naudojant arba jį perkrovus;
 - naudojant nepatvirtintus priedus arba dalis;
 - karbiuratoriu po 6 mėnesių, karbiuratoriaus reguliavimui po 6 mėnesių;
 - komponentams (daliims ir priedams), kurie dėvisi savaime, įskaitant, bet neapsinbojanat iškiliais mygtukais, diržinėmis pavaromis, sankaba, gyvatvorės žirklių arba vejos pjovimo mašinų asmenimis, diržais, kabele droseliu, anglies šepetėliais, maitinimo laidu, virbams, veltinio poveržlėmis, traukimo kaiščiais, pūtimo ventilatoriais, pūstuvu ir siurblio vamzdžiais, siurblio maišeliu ir dirželiais, kreipiamaisiais strypais, pjūkle grandinėmis, žarnelėmis, jungtimis, purkštukais, ratais, purškimo lazdelėmis, vidiniais sukutvais, išorinėmis ritėmis, mulktintuvais, uždegimo žvakėmis, oro filtrais, dujų filtrais, mulčiavimo asmenimis ir t. t.;
4. Norint atlikti techninį aptarnavimą, produktą reikia nusiųsti arba pristatyti į vieną iš RYOBI įgaliotų techninio aptarnavimo punktų, esančių kiekvienoje šalyje toliau pateiktame aptarnavimo punktų adresų sąraše. Kai kuriose šalyse jūsų vietinis RYOBI pardavėjas gali nusiųsti produktą į RYOBI techninio aptarnavimo punktą. Siunčiant produktą į RYOBI techninio aptarnavimo punktą, produktą reikia saugiai supakuoti, prieš tai iš jo pašalinus pavojingas medžiagas, pavyzdžiui, benzina, nurodyti siuntėjo adresą ir pridėti trumpą gedimo aprašymą.
5. Pagal šią garantiją taisymo ar keitimo darbai atliekami nemokamai. Garantijoje nenumatytas garantijos pratęsimas ar naujo garantinio laikotarpio pradėjimas. Pakeistos dalys arba įrankiai tampa mūsų nuosavybe. Kai kuriose šalyse pristatymo ar siuntimo paštu išlaidas turi padengti siuntėjas.
6. Ši garantija taikoma Europos bendrijoje, Šveicarijoje, Islandijoje, Norvegijoje, Lichtenšteine, Turkiijoje ir Rusijoje. Kitose šalyse kreipkitės į savo įgaliotą RYOBI pardavėją, norėdami sužinoti, ar taikoma kita garantija.

ĮGALIJOTAS TECHINIS PRIEŽIŪROS CENTRAS

Jei norite surasti įgaliotą techninės priežiūros centrą netoli Jūsų, apsilankykite interneto svetainėje <http://www.ryobitools.eu/service-support/service-agents>.

ET GARANTIID

Lisaks ostu puhul kaasnevate seadusjärgsete õiguste kehtib tootele allpool esitatud tingimustega garantiid.

- Ostja poolt ostetud tootele on kehtestatud garantiiperiood 24 kuud ja see hakkab kehtima toote ostmise kuupäeval. See kuupäev on märgitud arvele või muule ostu lõendavale dokumendile. Toode on ette nähtud ostjale ainult isiklikuks kasutamiseks. Kui toodet kasutatakse ametialasel või äriistel eesmärkidel, siis garantiid ei kehti.
- Mõnel juhul (nt reklaam, seadmete seeria) on võimalik pikendada garantiiperioodi pikemaks ajaks kui ülal mainitud, kui kasutatakse registreerimist veebisaidil www.ryobitools.eu kaudu. Registreerimise tingimused on välja pandud kauplustesse ja/või on pakendil. Lõppkasutaja peab oma uued tüüristad veebis registreerima 8 päeva jooksul alates ostukuupäevast. Lõppkasutaja võib registreerida end pikendatud garantiis oma asukohamaal, kui see on esitatud veebis registreerimise loendil, seal kus see vaik on olemas. Peale selle, lõppkasutajad peavad andma nõusoleku enda andmete salvestamiseks, mida vajatakse veebi sisenumismiseks ja nõustuma esitatud tingimustega. Pikendatud garantiid kehtivust lõendab e-postiga saadetud registreerimise kinnitusteada, ja algupärane arve, millel on ostukuupäev. Teie seadusjärgsed õigused jäävad mõjutamata.
- Garantiid kehtib kõikide ostukuupäevast kehtima hakkaval garantiiperioodil ilmnenu rike suhtes, mis on tingitud töötlemis- või materjalivigadest. Garantiid on piiratud remondi ja/või asendamise ja ei sisalda muid kohustusi, kuid mitte ainult, kaasneva või tuleneva kahju eest. Garantiid ei kehti, kui toodet on väärkasutatud, kasutusjuhendis nimetatud otstarbele mittevastavalt kasutatud või toode on ebaõigesti ühendatud. See garantiid ei rakendu järgmistel juhtudel:
 - tootel on mingi vigastus, mis on põhjustatud ebaõigest kasutamisest,
 - toodet on mingil viisil ümber ehitatud või muudetud,
 - toote algupärane tuvastusmarkering (kaubamärk, seerianumber) on kahjustatud, ümber tehtud või eemaldatud,
 - tootel on mingi vigastus, mis on tingitud kasutusjuhendi mittejälgimisest,
 - toode ei ole CE-märgisega,
 - toodet on püüdnud parandada ebaõiged spetsialist või seda on tehtud ilma Techtronic Industries volitusteta,
 - toode on ühendatud selleks mitteettnähtud elektritoitevõrguga (väär voolu tugevus, pinge või sagedus),
 - tootes on kasutatud mitteettnähtud kütusesegu (kütus, õli, väär õli vahetkord),
 - tootel on vigastus välistõmõjudest (keemilised või füüsilised mõjud või löögid),
 - toote varuosadel ilmneb tavapärane kulumine,
 - toodet on ebaõigesti kasutatud või üle koormatud,
 - tootel on kasutatud mitteettnähtud tarvikuid või osi,
 - toote karburaator pärast 6 kuu möödumist, toote karburaatori sätted pärast 6 kuu möödumist,
 - toote koostesadel (osad ja tarvikud) ilmneb tavapärane kulumine järgmistel detailidel (kuid mitte ainult): etteandenu, ajamirihmad, sidur, hekiõikuri või muruniiduki terad, rakmed, gaasitross, süsinikharjad, toitejuhe, piid, viilseidid, vedrutihvid, puhumisventilaatorid, puhuri ja imuri torud, imisüsteemi kotid ja ribad, juhtvardad, saeketid, voolikud, õhendusliitmikud, düüsid, rattad, pihustustorud, sisetrumid, välispoolid, lõikeõhvid, süüteküünlad, õhufiltrid, gaasifiltrid, multšimisterad jne.
- Hooldamiseks tuleb toode saata või tuua mõnda RYOBI volitatud hoolduspunkti, mis on esitatud loendis iga riigi jaoks ja milles on hoolduspunkti aadressid. Mõnes riigis kohustub RYOBI edasimüüja saatma toote RYOBI hooldusasutusse. Kui toode saadetakse RYOBI hooldusasutusse, tuleb toode turvaliselt ära pakkida ilma, et sellesse jääks õhtlikku sisu, näiteks bensiin ja pakendile tuleb märkida saatja aadress ja rikke lühikirjeldus.
- Selle garantiid alusel tehtud remont/asendus on tasuta. Sellega ei kaasne garantiiperioodi pikemine või uue garantiiperioodi algus. Asendatud osad ja tüüristad jäävad meie omandusse. Mõnes riigis tuleb saate- või postikulud tasuda saatja poolt.
- See garantiid kehtib Euroopa Liidus, Šveitsis, Islandil, Norras, Liechtensteinis, Türgis ja Venemaal. Väljaspool neid riike võtke ühendust Ryobi volitatud edasimüüjaga, et teada saada teistsuguste garantiid kehtivust.

VOLITATUD HOOLDUSKESKUS

Oma volitatud hoolduskeskuse leiate veebisaidilt <http://www.ryobitools.eu/service-support/service-agents>.

HR JAMSTVO

U dodatku svih zakonskih prava koja proizlaze kao rezultat kupnje, ova proizvod pokriven je jamstvom kao što je utvrđeno u nastavku.

- Jamstveno razdoblje je 24 mjeseca za korisnike, a započinje na datum kupnje proizvoda. Ovaj datum treba biti dokumentiran računom ili nekim drugim dokazom o kupnji. Proizvod je dizajniran i namijenjen samo za korisnike i osobno korištenje. Stoga nema omogućenog jamstava u slučaju profesionalnog ili komercijalnog korištenja.
- U nekim slučajevima (primjerice promocije, paleta alata) postoji mogućnost produženog jamstvenog razdoblja preko gore navedenog razdoblja korištenjem registracije na web mjestu www.ryobitools.eu. Sukladnost alata jesno je prikazana u trgovini ili na pakiranju. Krajnji korisnik treba registrirati svoje novo pribavljene alate na mreži unutar 8 dana od datuma kupnje. Krajnji korisnik može se registrirati za produženo trajanje jamstva u svojoj zemlji stanovanja ako je navedena na mrežnom obrascu za registraciju gdje je ova opcija valjana. Nadalje, krajnji korisnici moraju dati svoje odobrenje za spremanje podataka koji su potrebni za unos na mreži i moraju prihvatiti uvjete i odredbe. primatka potvrde o registraciji, koja se šalje e-poštom i originalni račun koji prikazuje datum kupnje služe kao dokaz produženog jamstva. Vaša zakonska prava ostaju nepromijenjena.
- Jamstvo pokriva sve kvarove proizvoda tijekom jamstvenog razdoblja zbog pogreški u izradi ili materijalu na datum kupnje. Jamstvo je ograničeno na popravak ili zamjenu i ne uključuje nikakve druge obveze uključujući ne ograničavajući se na slučajne ili posljedične štete. Jamstvo nije valjano ako je proizvod pogrešno korišten, korišten suprotno od korisničkog priručnika ili je nepravilno priključen. Ovo jamstvo se ne primjenjuje na:
 - svako oštećenje proizvoda koje je rezultat nepravilnog održavanja
 - svaki proizvod koji je izmijenjen ili modificiran
 - svaki proizvod gdje su originalne identifikacijske oznake (zaštitni znak, serijski broj) izbrisane, zamijenjene ili uklonjene
 - svako oštećenje uzrokovano neprikladnim korištenjem priručnika
 - svaki proizvod koji nije CE
 - svaki proizvod koji je pokušao popraviti neovlašten profesionalac ili bez prethodnog odobrenja od strane Techtronic Industries
 - svaki proizvod priključen na nepravilno napajanje energijom (amperi, napon, frekvencija)
 - Svaki proizvod korišten s neodgovarajućom mješavinom (gorivo, ulje, postotak ulja)
 - svako oštećenje uzrokovano vanjskim utjecajima (kemijsko, fiziko, udar) ili stranim stvarima
 - normalno trošenje i habanje rezervnih dijelova
 - nepravilno korištenje, preopterećenje alata
 - korištenje neodobrenog dodatnog pribora ili dijelova
 - rasplinjača nakon 6 mjeseci, podešavanje rasplinjača nakon 6 mjeseci
 - komponente (dijelovi i dodatni pribor) koji su predmet prirodnog trošenja i habanja, uključujući ne ograničavajući se na gumbce za otpuštanje, pogonske remene, spojku, oštrice trimera za grmlje ili kosilicu, kope, sajle gasa, ugljene četke, kabele za napajanje, noževe, podloške, ztkice za zgubnu vezu, ventilatore puhalice, cijevi za ispuhivanje i usisavanje, vakuumske vrećice i trake, vodilice, lance pile, crijeva, priključene elemente, mlaznice za raspršivanje, kotače, kopljica za raspršivanje, unutartrajne kolute, vanjske kaleme, flaksove, svječice, filtre za zrak, filtre za plin, oštrice za usitnjavanje itd.
- Za servisiranje, proizvod se mora poslati ili predati ovlaštenoj stanici za servis tvrtke RYOBI navedenoj za svaku zemlju u sljedećem popisu adresa stanica za servis. U nekim zemljama vaši lokalni RYOBI zastupnik obavezan je poslati proizvod u servisnu organizaciju tvrtke RYOBI. Prilikom slanja proizvoda u stanicu za servis tvrtke RYOBI, proizvod treba biti sigurno pakiran bez ikakvog opasnog sadržaja poput benzina, s označenom adresom pošiljatelja i pripadajućim kratkim opisom pogreške.
- Popravak/zamjena pod ovim jamstvom se ne naplaćuje. Ne produžuje zakonsko ili ne započinje novo jamstveno razdoblje. Zamijenjeni dijelovi ili alati postaju naše vlasništvo. U nekim zemljama pošiljatelj plaća poštarinu.
- Ovo jamstvo je valjano u Europskoj zajednici, Švicarskoj, Islandu, Norveškoj, Lichtenštajnu, Turskoj i Rusiji. Izvan ovih područja molimo vas da kontaktirate vašeg ovlaštenog zastupnika RYOBI kako biste odredili ako se primjenjuje druga jamstva.

OVLAŠTENI SERVISNI CENTAR

Za pronalazjenje ovlaštenog servisnog centra pored vas posjetite <http://www.ryobitools.eu/service-support/service-agents>.

SL GARANCIJA

Poleg kakršnih koli zakonskih pravic, ki jih pridobite z nakupom, za ta izdelek velja tudi garancija, kot je opisano spodaj.

- Garancijsko obdobje je 24 mesecev za potrošnike in se začne z datumom nakupa. Ta datum mora biti dokumentiran z računom ali drugim dokazilom o nakupu. Izdelek je namenjen in posevčen le potrošniški in zasebni uporabi. Zato garancija ne velja za profesionalno ali komercialno uporabo.
- V nekaterih primerih (npr. promocija, obseg orodij) obstaja možnost podaljšanja garancijskega obdobja prek zgoraj opisanega obdobja, kar je mogoče storiti z registracijo na spletnem mestu www.ryobitools.eu. Namen orodja je jasno označen v trgovinah in/ali na embalaži. Končni uporabnik mora svoje novo orodje registrirati prek spleta v 8 dneh od datuma nakupa. Končni uporabnik se lahko registrira za podaljšano garancijo v svoji državi, kjer ima stalno prebivališče, če je država vključena na seznam v obrazcu za registracijo, kjer je ta možnost veljavna. Poleg tega mora končni uporabnik odobriti shranjevanje podatkov, ki so potrebni za spletni vstop, in morajo sprejeti pogoje in določila. Potrdilo o registraciji, ki se pošlje po e-pošti, ter originalni račun, na katerem je naveden datum nakupa, veljata kot dokazilo o podaljšani garanciji. Vaše zakonske pravice ostanejo nespremenjene.
- Garancija krije vse okvare izdelka med garancijskim obdobjem zaradi napak v izdelavi ali materialu na datum nakupa. Garancija je omejena na popravilo/zamenjavo in ne vključuje drugih obveznosti, med drugim ne vključuje obveznosti zaradi nenamerne ali posledične škode. Garancija ni veljavna, če je bil izdelek zlorabljen, uporabljen v nasprotju z navodili za uporabo ali nepravilno priključen. Garancija ne velja:
 - za kakršno koli poškodbo izdelka, ki je posledica neprimernege vzdrževanja,
 - če je bil izdelek spremenjen ali modificiran,
 - če so originalne identifikacijske oznake (blagovna znamka, serijska številka) na izdelku poškodovane, spremenjene ali odstranjene,
 - če je do poškodbe prišlo zaradi neupoštevanja navodil za uporabo,
 - za katere koli izdelke, ki niso skladni z oznako CE,
 - če je izdelek poskusil opraviti neusposobljen strokovnjak ali brez predhodne odobritve družbe Techtronic Industries,
 - če je bil izdelek priključen na neustrezno električno omrežje (jakost, napetost, frekvenca),
 - če je bil izdelek uporabljen z neustrezno mešanico goriva (gorivo, olje, odstotek olja),
 - če je do poškodbe prišlo zaradi zunanjih vplivov (kemični, fizični, udarci) ali tujih snovi,
 - za normalno obrabo nadomestnih delov,
 - neustrezne uporabe, preobremenitve orodja,
 - uporabe neodobrenih dodatkov ali delov,
 - za uplinjač po 6 mesecih, prilagoditve uplinjača po 6 mesecih,
 - za sestavne dele (dele in dodatke), ki so podvrženi normalni obrabi, med drugim za vzmetne gume, pogonske jermene, sklopko, rezila obrezovalnikov ali kosilnic, nosilni trak, kabelske dušilke, karbonskih krtačk, napajalnega kabla, zobovje, polstene podložke, varnostne zatiče, ventilatorje, puhalne in sesalne cevi, sesalne vreče in trakove, vodila, verige za žage, gibljive cevi, nastavke priključkov, pršilne šobe, kolesa, pršilne palice, notranje kolute, zunanja vretena, rezalne nitke, vžigalne svečke, zračne filtre, plinske filtre, drobilna rezila itd.,
- Za servisiranje je treba izdelek poslati ali prinesiti v pooblaščen servisni center RYOBI, ki je za vsako državo naveden na naslednjem seznamu z naslovi servisnih centrov. V nekaterih državah pošiljanje izdelka servisnemu centru RYOBI prevzame lokalni trgovec z izdelki RYOBI. Za pošiljanje servisnemu centru RYOBI mora biti izdelek varno zapakiran, brez kakršnih koli nevarnih snovi, npr. gorivo, označen z naslovom pošiljatelja, priložen pa mora biti kratek opis napake.
- Popravilo/nadomestilo v sklopu te garancije je brezplačno. Ne pomeni podaljšanja ali novega začetka garancijskega obdobja. Zamenjani deli ali orodja postanejo naša last. V nekaterih državah mora stroške pošiljanja ali dostave poravnati pošiljatelj.
- Ta garancija je veljavna v Evropski skupnosti, Šviciji, na Islandiji, Norveškem, v Liechtensteinu, Turčiji in Rusiji. Izven teh področij stopite v stik s pooblaščenim trgovcem RYOBI, da ugotovite, ali velja katera druga garancija.

POOBlašČEN SERVISNI CENTER

Pooblaščen servisni center blizu vas poiščite na <http://www.ryobitools.eu/service-support/service-agents>.

SK ZÁRUKA

Okrem zákonných práv vyplývajúcich zo zakúpenia je tento produkt pokrytý zárukou, ako je uvedené nižšie.

- Záručná doba pre spotrebiteľov je 24 mesiacov a začína dňom zakúpenia produktu. Tento dátum musí byť zdokumentovaný faktúrou alebo iným dokladom o kúpe. Tento produkt je navrhnutý a určený len na potrebné a osobné použitie. Takže v prípade profesionálneho alebo komerčného použitia neplatí žiadna záruka.
- V niektorých prípadoch (napr. reklamná akcia, rad produktov) existuje možnosť predĺženia záručnej doby nad dobu uvedenú vyššie pomocou registrácie na webovej stránke www.ryobitools.eu. Spôsobilosť nástroja je zreteľne zobrazená v obchodoch a ha obale. Koncový používateľ si musí zaregistrovať svoje novonadobudnuté nástroje online do 8 dní odo dňa zakúpenia. Koncový používateľ sa môže zaregistrovať za účelom získania predĺženej záruky vo svojej krajine, ak je uvedená v online registračnom formulári, kde je táto možnosť platná. Okrem toho musia koncoví používatelia poskytnúť súhlas k uloženiu údajov, ktoré sa zadávajú online a musia súhlasiť so zmluvnými podmienkami. Doklad s potvrdením o registrácii, ktorý posielame prostredníctvom e-mailu a originál faktúry s uvedeným dátumom zakúpenia slúžia ako dôkaz predĺženej záruky. Vaše zákonné práva ostávajú nedotknuté.
- Táto záruka pokrýva všetky poruchy produktu počas záručnej doby, ktoré vznikli následkom nedostatkov vo vypracovaní alebo materiáli v deň zakúpenia. Táto záruka je omezená na opravu alebo výmenu a nezahŕňa ďalšie povinnosti, napríklad vedľajšie alebo následné škody. Táto záruka je neplatná, ak bol produkt požívaný nesprávne, používaný v rozpore s návodom na použitie alebo nesprávne pripojený. Táto záruka sa nevzťahuje na:
 - akékoľvek poškodenie produktu, ku ktorému došlo následkom nesprávnej údržby
 - akýkoľvek produkt, ktorý bol pozmenený alebo upravený
 - akýkoľvek produkt, na ktorom boli poškodené pozmenené alebo odstránené originálne identifikačné znaky (obchodná známka, sériové číslo)
 - akékoľvek poškodenie spôsobené následkom neododržania návodu na použitie
 - akýkoľvek produkt iný ako CE
 - akýkoľvek produkt, o ktorého opravu sa pokúšal nekvalifikovaný odborník alebo v prípade opravy bez predchádzajúceho oprávnenia od spoločnosti Techtronic Industries
 - akýkoľvek produkt pripojený k nesprávnejmu napájaciemu zdroju (prúd, napätie, frekvencia)
 - akýkoľvek produkt používaný s nevhodnou palivovou zmesou (palivo, olej, percento oleja)
 - akékoľvek poškodenie spôsobené vonkajšími vplyvmi (chemické, fyzické, nárazy) alebo cudzími látkami
 - bežné opotrebenie náhradných dielov
 - nesprávne používanie a preťažovanie nástroja
 - používanie neschváleného príslušenstva alebo dielov
 - karburátor po 6 mesiacoch, úpravy karburátora po 6 mesiacoch
 - komponenty (diely a príslušenstvo), ktoré podliehajú prirodzenému opotrebeniu, napríklad pružinové tlačidlá, hnacie remene, spojka, ostria strihača živého platu alebo kosačky trávy, postroj, ťahadlo škrťacej klapky, uhlikové kefky, napájaci kábel, končeky, plstené podložky, kolký s háčikom, ventilátory dýchadla, rúrky dýchadla a vysávača, vrecko a remene vysávača, vodiace lišty, pilové reťaze, hadice, konektorové armatúry, rozprašovače trysky, koleska, striekacie tyče, vnútorné navijaky, vonkajšie cievy, rezné drôty, zapalovače sviečky, vzduchové filtre, benzínové filtre, mulčovacie ostria a pod.
- Na servis sa musí produkt odoslať alebo predložiť autorizovanému servisnému centru RYOBI uvedenému pre každú krajinu v nasledujúcom zozname adres servisných staníc. V niektorých krajinách pošle produkt do servisnej organizácie RYOBI váš miestny predajca produktov RYOBI. Pri odoslaní produktu do servisnej stanice RYOBI musí byť produkt bezpečne zabalený bez akéhokoľvek nebezpečného obsahu, napríklad paliva, označený adresou odosielateľa a musí byť k nemu priložený krátky popis poruchy.
- Oprava či výmena v rámci tejto záruky je bezplatná. Nevplyvva z nej predĺženie či nový začiatok záručnej doby. Vymenené diely alebo nástroje sa stávajú našim majetkom. V niektorých krajinách doručovací poplatok alebo poštovné platí odosielateľ.
- Táto záruka je platná v Európskej únii, Švajčiarsku, na Islande, v Nórsku, Lichtenštajnsku, Turecku a Rusku. Mimo týchto oblastí kontaktujte autorizovaného predajcu spoločnosti Ryobi, u ktorého zisťíte, či platí nejaká iná záruka.

AUTORIZOVANÉ SERVISNÉ CENTRUM

Ak chcete nájsť najbližšie autorizované servisné centrum, navštívte stránku <http://www.ryobitools.eu/service-support/service-agents>.

BG ГАРАНЦИЯ

В допълнение към законоустановените права, произтичащи от покупката, този продукт е обхванат от гаранция, както е изложено по-долу.

1. Гаранционният срок е 24 месеца за клиенти и започва да тече от деня на закупуване на продукта. Тази дата трябва да се докаже с фактура или друго доказателство за покупка. Продуктът е изработен и предназначен само за потребителска и лична употреба. Следователно не се дава гаранция в случай на използване от професионалисти или с търговска цел.
2. В някои случаи (като промоция, гама инструменти) съществува възможност за удължаване на гаранционния срок след изтичането на описания тук чрез регистрация на уеб сайта www.ryobitools.eu. Дали инструментът отговаря на условията за такова удължаване, ясно показано в магазини и/или върху опаковката. Крайният потребител трябва да регистрира своите новопридобити инструменти онлайн в рамките на 8 дни от датата на покупка. Крайният потребител може да се регистрира за удължена гаранция в държавата си на пребиваване, ако е посочена във формуляра за онлайн регистрация като място, където тази опция е валидна. Освен това крайните потребители трябва да дадат съгласието си за съхранение на данните, които са задължителни за попълване онлайн, и трябва да приемат общите условия. Полученото потвърждение за регистрация, изпратено по имейл, и оригиналната фактура, показваща датата на покупка, ще служат като доказателство за удължената гаранция. Законоустановените Ви права остават незаसेгнати.
3. Гаранцията покрива всички дефекти на продукта по време на гаранционния срок, които се дължат на проблеми в изработката или материалите към момента на покупката. Гаранцията е ограничена до ремонт и/или замяна и не включва други задължения, включително, но не само, случайни или закономерни щети. Гаранцията е невалидна, ако продуктът е използван неправилно или в противоречие с ръководството с инструкции, както и ако е свързан неправилно. Тази гаранция не важи за:
 - щети по продукта в резултат на неправилна профилактика;
 - продукти, които са били изменени или модифицирани;
 - продукт, при който оригиналните маркировки за идентификация (търговска марка, сериен номер) са изтрети, променени или премахнати;
 - повреда, причинена от неспазване на ръководството с инструкции;
 - продукт без CE маркировка;
 - продукт, за който е направен опит за ремонт от неквалифициран специалист или без предварително разрешение от Techtronic Industries;
 - продукт, свързан към неподходящо електрозахранване (ампераж, волтаж, честота);
 - продукт, използван с неподходяща горивна смес (гориво, масло, процент масло);
 - щети, причинени от външни влияния (химични, физични, удари) или чужди вещества;
 - нормално износване на резервни част;
 - неподходяща употреба, претоварване на инструмента;
 - използване на неодобриени аксесоари или части;
 - карбуратора след 6 месеца, настройки на карбуратора след 6 месеца;
 - компоненти (част и аксесоари), подложени на естествено износване, включително, но не само, копчета за тласкане, задвижващи ремъци, съединител, остриета на ножци за жив плет, косачки, самар, кабелен дросел, карбонови четки, захранващ кабел, остриета, филцови шайби, осигурителни щифтове, вентилатори на уреди за обдуване, тръби за обдуване и всмукване, торба за отпадъци и ремъци, водеща шина, вериги за триони, маркучи, фитинги на конектори, дюзи, колела, пръскалки, вътрешни и външни макари, режещо влакно, запалителни свещи, въздушни филтри, горивни филтри, остриета за мулчиране и т.н.
4. За обслужване продуктът трябва да се изпрати или занесе на оторизиран сервиз на RYOBI, посочен за всяка държава в следния списък с адреси на сервиси. В някои държави местният търговец на RYOBI поема да изпрати продукта до сервизен център на RYOBI. При изпращане на продукт до сервиз на RYOBI продуктът трябва да е опакован безопасно без опасно съдържание, като бензин, да е маркиран с адреса на подателя и придружен от кратко описание на повредата.
5. Ремонтът или замяната по силата на тази гаранция са безплатни. Те не водят до удължаване или подновяване на гаранционния срок. Сменените части или инструменти стават наша собственост. В някои държави таксите за доставка или изпращане трябва да се платят от подателя.
6. Тази гаранция е валидна в Европейската общност, Швейцария, Исландия, Норвегия, Лихтенщайн, Турция и Русия. Извън тези области се свържете с упълномощения търговец на RYOBI, за да се установи дали са приложими други гаранции.

УПЪЛНОМОЩЕН СЕРВИЗЕН ЦЕНТЪР

За да намерите упълномощен сервизен център близо до вас, посетете <http://www.ryobitools.eu/service-support/service-agents>.

EN EC DECLARATION OF CONFORMITY

Techtronic Industries GmbH
Max-Eyth-Straße 10, 71364 Winnenden, Germany

Herewith we declare that the product

Electric Line Trimmer/Edge Trimmer
Model number: RLT5027
Serial number range: 44419601000001 - 44419601999999

is in conformity with the following European Directives and harmonised standards

2006/42/EC, 2004/108/EC, 2000/14/EC, 2005/88/EC, 2011/65/EU,
EN 60335-1:2002+A11:2004+A1:2004+A12:2006+A2:2006+A13:2008+A14:
2010+A15:2011, EN 60335-2-91:2003, prEN 60335-2-91:2007/FprAA: 2009,
EN 786:1996+A2:2009, EN ISO 3744:2010, EN 55014-1:2006+A1:2009+A2:
2011, EN 55014-2:1997+A1:2001+A2:2008, EN 61000-3-2:2006+A1:2009
+A2:2009, EN 61000-3-3:2008, EN 62233:2008

And furthermore, we declare that following other technical standards and specifications have been used
ISO 11094:1991

Measured sound power level: 94,6 dB (A)
Guaranteed sound power level: 96 dB (A)
Conformity assessment method to Annex VI Directive 2000/14/EC amended by 2005/88/EC.

The notified body involved:
Intertek Testing & Certification Ltd. (Notified Body 0359)
Davy Avenue, Knowlhill, Milton Keynes, MK5 8NL

Andrew John Eyre (BEng, CEng, MIET)
Vice President, Regulatory & Safety
Winnenden, Aug. 20, 2013

Authorised to compile the technical file:
Alexander Krug, Managing Director
Techtronic Industries GmbH
Max-Eyth-Straße 10, 71364 Winnenden, Germany

DE EC KONFORMITÄTSERKLÄRUNG

Techtronic Industries GmbH
Max-Eyth-Straße 10, 71364 Winnenden, Germany

Hiermit erklären wir, dass die Produkte

Elektrischer Rasentrimmer/Kantenschneider
Modellnummer: RLT5027
Seriennummernbereich: 44419601000001 - 44419601999999

mit den folgenden europäischen Richtlinien und harmonisierten Normen entspricht

2006/42/EC, 2004/108/EC, 2000/14/EC, 2005/88/EC, 2011/65/EU,
EN 60335-1:2002+A11:2004+A1:2004+A12:2006+A2:2006+A13:2008+A14:
2010+A15:2011, EN 60335-2-91:2003, prEN 60335-2-91:2007/FprAA: 2009,
EN 786:1996+A2:2009, EN ISO 3744:2010, EN 55014-1:2006+A1:2009+A2:
2011, EN 55014-2:1997+A1:2001+A2:2008, EN 61000-3-2:2006+A1:2009
+A2:2009, EN 61000-3-3:2008, EN 62233:2008

Weiterhin erklären wir, dass die folgenden technischen Normen und Spezifikationen eingehalten wurden
ISO 11094:1991

Gemessener Schalleistungspegel: 94,6 dB (A)
Garantierter Schalleistungspegel: 96 dB (A)
Konformitätsbeurteilungsmethode zu Anhang VI Richtlinie 2000/14/EC wie durch 2005/88/EC.

Benannte Stelle:
Intertek Testing & Certification Ltd. (Benannte Stelle 0359)
Davy Avenue, Knowlhill, Milton Keynes, MK5 8NL

Andrew John Eyre (BEng, CEng, MIET)
Vizepräsident, Vorschriften und Sicherheit
Winnenden, Aug. 20, 2013

Autorisiert die technische Datei zu erstellen:
Alexander Krug, Geschäftsführer
Techtronic Industries GmbH
Max-Eyth-Straße 10, 71364 Winnenden, Germany

FR DÉCLARATION DE CONFORMITÉ EC

Techtronic Industries GmbH
Max-Eyth-Straße 10, 71364 Winnenden, Germany

Déclarons par la présente que le produit

Coupe bordures/Dresse bordures électrique
Numéro de modèle: RLT5027
Étendue des numéros de série: 44419601000001 - 44419601999999

est conforme aux Directives Européennes et Normes Harmonisées suivantes

2006/42/EC, 2004/108/EC, 2000/14/EC, 2005/88/EC, 2011/65/EU,
EN 60335-1:2002+A11:2004+A1:2004+A12:2006+A2:2006+A13:2008+A14:
2010+A15:2011, EN 60335-2-91:2003, prEN 60335-2-91:2007/FprAA: 2009,
EN 786:1996+A2:2009, EN ISO 3744:2010, EN 55014-1:2006+A1:2009+A2:
2011, EN 55014-2:1997+A1:2001+A2:2008, EN 61000-3-2:2006+A1:2009
+A2:2009, EN 61000-3-3:2008, EN 62233:2008

De plus, nous déclarons que les autres standards et caractéristiques techniques suivants ont été utilisés
ISO 11094:1991

Niveau de puissance sonore mesuré: 94,6 dB (A)
Niveau de puissance sonore garanti: 96 dB (A)
Méthode d'évaluation de conformité de l'annexe VI Directive 2000/14/EC modifiée 2005/88/EC.

L'organisme notifié titulaire:
Intertek Testing & Certification Ltd. (L'organisme notifié 0359)
Davy Avenue, Knowlhill, Milton Keynes, MK5 8NL

Andrew John Eyre (BEng, CEng, MIET)
Vice-Président, Réglementation & Sécurité
Winnenden, Aug. 20, 2013

Autorisé à rédiger le dossier technique:
Alexander Krug, Directeur Général
Techtronic Industries GmbH
Max-Eyth-Straße 10, 71364 Winnenden, Germany

ES DECLARACIÓN EC DE CONFORMIDAD

Techtronic Industries GmbH
Max-Eyth-Straße 10, 71364 Winnenden, Germany

Por la presente declaramos que los productos

Cortabordes/Bordeadora eléctrico
Número de modelo: RLT5027
Intervalo del número de serie: 44419601000001 - 44419601999999

se encuentra en conformidad con las siguientes Directivas Europeas y normas armonizadas

2006/42/EC, 2004/108/EC, 2000/14/EC, 2005/88/EC, 2011/65/EU,
EN 60335-1:2002+A11:2004+A1:2004+A12:2006+A2:2006+A13:2008+A14:
2010+A15:2011, EN 60335-2-91:2003, prEN 60335-2-91:2007/FprAA: 2009,
EN 786:1996+A2:2009, EN ISO 3744:2010, EN 55014-1:2006+A1:2009+A2:
2011, EN 55014-2:1997+A1:2001+A2:2008, EN 61000-3-2:2006+A1:2009
+A2:2009, EN 61000-3-3:2008, EN 62233:2008

Además, declaramos eso después de haberse utilizado otras especificaciones y estándares técnicos
ISO 11094:1991

Nivel de potencia acústica medido: 94,6 dB (A)
Nivel de potencia acústica garantizado: 96 dB (A)
Método de evaluación de conformidad con el anexo VI Directiva 2000/14/EC modificada por la 2005/88/EC.

El organismo notificado implicado:
Intertek Testing & Certification Ltd. (Organismo notificado 0359)
Davy Avenue, Knowlhill, Milton Keynes, MK5 8NL

Andrew John Eyre (BEng, CEng, MIET)
Vicepresidente, Director General de Normativa y Seguridad
Winnenden, Aug. 20, 2013

Autorizado para elaborar la ficha técnica:
Alexander Krug, Administrador Ejecutivo
Techtronic Industries GmbH
Max-Eyth-Straße 10, 71364 Winnenden, Germany



IT DICHIARAZIONE DI CONFORMITÀ EC

Techtronic Industries GmbH
Max-Eyth-Straße 10, 71364 Winnenden, Germany

Si dichiara con la presente che il prodotto
Tagliabordo elettrico a filo/Sfrondatore
Numero modello: RLT5027
Gamma numero seriale: 44419601000001 - 44419601999999

è conforme alle seguenti Direttive Europee e ai seguenti standard armonizzati
2006/42/EC, 2004/108/EC, 2000/14/EC, 2005/88/EC, 2011/65/EU,
EN 60335-1:2002+A11:2004+A1:2004+A12:2006+A2:2006+A13:2008+A14:
2010+A15:2011, EN 60335-2-91:2003, prEN 60335-2-91:2007/FprAA: 2009,
EN 786:1996+A2:2009, EN ISO 3744:2010, EN 55014-1:2006+A1:2009+A2:
2011, EN 55014-2:1997+A1:2001+A2:2008, EN 61000-3-2:2006+A1:2009
+A2:2009, EN 61000-3-3:2008, EN 62233:2008

Inoltre, dichiariamo che i seguenti standard e specifiche tecniche sono stati utilizzati
ISO 11094:1991

Livello di potenza acustica misurato: 94,6 dB (A)
Livello di potenza sonora garantita: 96 dB (A)
Metodo di valutazione sulla conformità all'allegato VI Direttiva 2000/14/EC
modificata con la 2005/88/EC.
Ente notificato responsabile:
Intertek Testing & Certification Ltd. (L'ente notificato 0359)
Davy Avenue, Knowlhill, Milton Keynes, MK5 8NL



Andrew John Eyre (BEng, CEng, MIET)
Vice-Presidente, Dipartimento Regolazioni & Sicurezza
Winnenden, Aug. 20, 2013

Autorizzato per compilare il file tecnico:
Alexander Krug, Direttore Amministrativo
Techtronic Industries GmbH
Max-Eyth-Straße 10, 71364 Winnenden, Germany

PT DECLARAÇÃO EC DE CONFORMIDADE

Techtronic Industries GmbH
Max-Eyth-Straße 10, 71364 Winnenden, Germany

Pelo presente declaramos que os produtos
Aparador Eléctrico/Cortador De Bordas
Número do modelo: RLT5027
Intervalo do número de série: 44419601000001 - 44419601999999

se encontra em conformidade com as seguintes Directivas Europeias e normas
harmozizadas
2006/42/EC, 2004/108/EC, 2000/14/EC, 2005/88/EC, 2011/65/EU,
EN 60335-1:2002+A11:2004+A1:2004+A12:2006+A2:2006+A13:2008+A14:
2010+A15:2011, EN 60335-2-91:2003, prEN 60335-2-91:2007/FprAA: 2009,
EN 786:1996+A2:2009, EN ISO 3744:2010, EN 55014-1:2006+A1:2009+A2:
2011, EN 55014-2:1997+A1:2001+A2:2008, EN 61000-3-2:2006+A1:2009
+A2:2009, EN 61000-3-3:2008, EN 62233:2008

Além disso, declaramos isto depois de ter utilizado outras especificações e normas
técnicas
ISO 11094:1991

Nível de potência sonora medido: 94,6 dB (A)
Nível de potência sonora garantido: 96 dB (A)
Método de avaliação de conformidade para o anexo VI Diretiva 2000/14/EC
alterada por 2005/88/EC.

O organismo notificado envolvido:
Intertek Testing & Certification Ltd. (Organismo notificado 0359)
Davy Avenue, Knowlhill, Milton Keynes, MK5 8NL



Andrew John Eyre (BEng, CEng, MIET)
Vice-Presidente, Regulamentação & Segurança
Winnenden, Aug. 20, 2013

Autorizado para compilar o ficheiro técnico:
Alexander Krug, Administrador Executivo
Techtronic Industries GmbH
Max-Eyth-Straße 10, 71364 Winnenden, Germany

NL EC CONFORMITEITSVERKLARING

Techtronic Industries GmbH
Max-Eyth-Straße 10, 71364 Winnenden, Germany

Hierbij verklaren wij dat het product
Elektrische Lijntrimmer/Graskantmaaimachine
Modelnummer: RLT5027
Serienummerbereik: 44419601000001 - 44419601999999

is in overeenstemming met de volgende Europese Richtlijnen en geharmoniseerde
normen
2006/42/EC, 2004/108/EC, 2000/14/EC, 2005/88/EC, 2011/65/EU,
EN 60335-1:2002+A11:2004+A1:2004+A12:2006+A2:2006+A13:2008+A14:
2010+A15:2011, EN 60335-2-91:2003, prEN 60335-2-91:2007/FprAA: 2009,
EN 786:1996+A2:2009, EN ISO 3744:2010, EN 55014-1:2006+A1:2009+A2:
2011, EN 55014-2:1997+A1:2001+A2:2008, EN 61000-3-2:2006+A1:2009
+A2:2009, EN 61000-3-3:2008, EN 62233:2008

En verder verklaren wij dat de volgende andere technische normen en specificaties
werden toegepast
ISO 11094:1991

Gemeten geluidsniveau: 94,6 dB (A)
Gegarandeerd geluidsniveau: 96 dB (A)
Evaluatiemethode conformiteit volgens bijlage VI Richtlijn 2000/14/EC gewijzigd
door 2005/88/EC.
Betrokken aangemelde keuringsinstantie:
Intertek Testing & Certification Ltd. (De aangemelde instantie 0359)
Davy Avenue, Knowlhill, Milton Keynes, MK5 8NL



Andrew John Eyre (BEng, CEng, MIET)
Vice-president, Regelgeving en Veiligheid
Winnenden, Aug. 20, 2013

Afgevaardigde voor het samenstellen van de technische fiche:
Alexander Krug, Directeur
Techtronic Industries GmbH
Max-Eyth-Straße 10, 71364 Winnenden, Germany

DA EC OVERENSSTEMMELSESRKLÆRING

Techtronic Industries GmbH
Max-Eyth-Straße 10, 71364 Winnenden, Germany

Vi erklærer hermed, at produktet
Elektrisk Trådtrimmer/Kanttrimmer
Modelnummer: RLT5027
Serienummerområde: 44419601000001 - 44419601999999

er i overensstemmelse med følgende EU-direktiver og harmoniserede standarder
2006/42/EC, 2004/108/EC, 2000/14/EC, 2005/88/EC, 2011/65/EU,
EN 60335-1:2002+A11:2004+A1:2004+A12:2006+A2:2006+A13:2008+A14:
2010+A15:2011, EN 60335-2-91:2003, prEN 60335-2-91:2007/FprAA: 2009,
EN 786:1996+A2:2009, EN ISO 3744:2010, EN 55014-1:2006+A1:2009+A2:
2011, EN 55014-2:1997+A1:2001+A2:2008, EN 61000-3-2:2006+A1:2009
+A2:2009, EN 61000-3-3:2008, EN 62233:2008

Og vi erklærer endvidere, at følgende øvrige tekniske standarder og specifikationer
er blevet anvendt
ISO 11094:1991

Målt støjniveau: 94,6 dB (A)
Garanteret støjniveau: 96 dB (A)
Overensstemmelsesvurderingsmetode til bilag VI Direktiv 2000/14/EC ændret ved
2005/88/EC.
Den relevante godkendelsesinstans:
Intertek Testing & Certification Ltd. (Relevant godkendelsesinstans 0359)
Davy Avenue, Knowlhill, Milton Keynes, MK5 8NL



Andrew John Eyre (BEng, CEng, MIET)
Vicepræsident, Regler og Sikkerhed
Winnenden, Aug. 20, 2013

Bemyndiget til at udarbejde det tekniske kartotek:
Alexander Krug, Administrerende Direktør
Techtronic Industries GmbH
Max-Eyth-Straße 10, 71364 Winnenden, Germany



SV EC-KONFORMITETSDEKLARATION

Techtronic Industries GmbH
Max-Eyth-Straße 10, 71364 Winnenden, Germany

Härmed deklarerar vi att produkterna

Elektrisk Trädtrimmer/Kanttrimmare
Modellnummer: RLT5027
Serienummerintervall: 44419601000001 - 44419601999999

är i enlighet med följande EU-direktiv och harmoniserade standarder

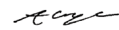
2006/42/EC, 2004/108/EC, 2000/14/EC, 2005/88/EC, 2011/65/EU,
EN 60335-1:2002+A11:2004+A1:2004+A12:2006+A2:2006+A13:2008+A14:
2010+A15:2011, EN 60335-2-91:2003, prEN 60335-2-91:2007/FprAA: 2009,
EN 786:1996+A2:2009, EN ISO 3744:2010, EN 55014-1:2006+A1:2009+A2:
2011, EN 55014-2:1997+A1:2001+A2:2008, EN 61000-3-2:2006+A1:2009
+A2:2009, EN 61000-3-3:2008, EN 62233:2008

Dessutom intygar vi att följande andra tekniska standarder och specifikationer används

ISO 11094:1991

Uppmått ljudeffektnivå: 94,6 dB (A)
Garanterad ljudeffektnivå: 96 dB (A)
Konformitetsbedömning gjord enligt metod i VI Direktiv 2000/14/EC samt tilläggen i 2005/88/EC.

Meddelandet gällde:
Intertek Testing & Certification Ltd. (Myndigheten 0359)
Davy Avenue, Knowlhill, Milton Keynes, MK5 8NL


Andrew John Eyre (BEng, CEng, MIET)
Vice President, Regelverk och Säkerhet
Winnenden, Aug. 20, 2013

Godkänd att sammanställa den tekniska filen:
Alexander Krug, VD
Techtronic Industries GmbH
Max-Eyth-Straße 10, 71364 Winnenden, Germany

CE

NO EC-SAMSVARSEKLÆRING

Techtronic Industries GmbH
Max-Eyth-Straße 10, 71364 Winnenden, Germany

Herved erklærer vi at produktet

Elektrisk snorklipper / Kantklipper
Modellnummer: RLT5027
Serienummerserie: 44419601000001 - 44419601999999

er i samsvar med følgende europeiske direktiver og harmoniserede standarder

2006/42/EC, 2004/108/EC, 2000/14/EC, 2005/88/EC, 2011/65/EU,
EN 60335-1:2002+A11:2004+A1:2004+A12:2006+A2:2006+A13:2008+A14:
2010+A15:2011, EN 60335-2-91:2003, prEN 60335-2-91:2007/FprAA: 2009,
EN 786:1996+A2:2009, EN ISO 3744:2010, EN 55014-1:2006+A1:2009+A2:
2011, EN 55014-2:1997+A1:2001+A2:2008, EN 61000-3-2:2006+A1:2009
+A2:2009, EN 61000-3-3:2008, EN 62233:2008

I tillegg erklærer vi herved at følgende andre tekniske standarder og spesifikasjoner har blitt brukt

ISO 11094:1991

Målt lydfeffektnivå: 94,6 dB (A)
Garantert lydfeffektnivå: 96 dB (A)
Metode for vurdering av konformitet til Tillegg VI Direktiv 2000/14/EC endret ved 2005/88/EC.

Involvert meddelelsesorgan:
Intertek Testing & Certification Ltd. (Teknisk kontrollorgan 0359)
Davy Avenue, Knowlhill, Milton Keynes, MK5 8NL


Andrew John Eyre (BEng, CEng, MIET)
Visepresident, Forskrifter og Sikkerhet
Winnenden, Aug. 20, 2013

Autorisert til å sette sammen den tekniske filen:
Alexander Krug, Administrerende Direktør
Techtronic Industries GmbH
Max-Eyth-Straße 10, 71364 Winnenden, Germany

CE

FI EC-SÄÄNNÖSTEN NOUDATTAMINEN

Techtronic Industries GmbH
Max-Eyth-Straße 10, 71364 Winnenden, Germany

Ilmoitamme täten, että tuotteet

Sähkökäyttöinen siimatrimmeri/Reunustrimmeri
Mallinumero: RLT5027
Sarjanumerovalue: 44419601000001 - 44419601999999

noudattaa seuraavia EU-direktiivejä ja harmonoituja standardeja

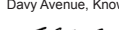
2006/42/EC, 2004/108/EC, 2000/14/EC, 2005/88/EC, 2011/65/EU,
EN 60335-1:2002+A11:2004+A1:2004+A12:2006+A2:2006+A13:2008+A14:
2010+A15:2011, EN 60335-2-91:2003, prEN 60335-2-91:2007/FprAA: 2009,
EN 786:1996+A2:2009, EN ISO 3744:2010, EN 55014-1:2006+A1:2009+A2:
2011, EN 55014-2:1997+A1:2001+A2:2008, EN 61000-3-2:2006+A1:2009
+A2:2009, EN 61000-3-3:2008, EN 62233:2008

Ja lisäksi ilmoitamme, että seuraavia muita teknisiä standardeja ja määrittelyitä on käytetty

ISO 11094:1991

Mitattu äänenteho: 94,6 dB (A)
Taattu ääniteho: 96 dB (A)
Säännösten noudattaminen tarkastettu direktiivin 2000/14/EC liitteen VI mukaisesti muunnettu direktiivillä 2005/88/EC.

Ilmoituslän:
Intertek Testing & Certification Ltd. (Ilmoittava elin 0359)
Davy Avenue, Knowlhill, Milton Keynes, MK5 8NL


Andrew John Eyre (BEng, CEng, MIET)
Varatoimitusjohtaja, Säästöstenmukaisuus ja Turvallisuus
Winnenden, Aug. 20, 2013

Valtuutettu kokoamaan tekninen tiedosto:
Alexander Krug, Toimitusjohtaja
Techtronic Industries GmbH
Max-Eyth-Straße 10, 71364 Winnenden, Germany

CE

RU ЗАЯВЛЕНИЕ О СООТВЕТСТВИИ ТРЕБОВАНИЯМ ЕС

Techtronic Industries GmbH
Max-Eyth-Straße 10, 71364 Winnenden, Germany

Настоящим мы заявляем, что данный продукт

Электрический струнный подрезчик/Кромкообрезчик
Номер модели: RLT5027
Диапазон заводских номеров: 44419601000001 - 44419601999999

соответствует требованиям следующих Директив ЕС и согласованных стандартов


2006/42/EC, 2004/108/EC, 2000/14/EC, 2005/88/EC, 2011/65/EU,
EN 60335-1:2002+A11:2004+A1:2004+A12:2006+A2:2006+A13:2008+A14:
2010+A15:2011, EN 60335-2-91:2003, prEN 60335-2-91:2007/FprAA: 2009,
EN 786:1996+A2:2009, EN ISO 3744:2010, EN 55014-1:2006+A1:2009+A2:
2011, EN 55014-2:1997+A1:2001+A2:2008, EN 61000-3-2:2006+A1:2009
+A2:2009, EN 61000-3-3:2008, EN 62233:2008

И, кроме того, мы заявляем, что были использованы следующие дополнительные технические стандарты и спецификации

ISO 11094:1991

Измеренный уровень звуковой мощности: 94,6 dB (A)
Гарантируемый уровень звуковой мощности: 96 dB (A)
Способ оценки соответствия, приложение VI к директиве 2000/14/EC с изменениями 2005/88/EC.

Уведомляемый участвующий орган:
Intertek Testing & Certification Ltd. (Нотифицированная организация 0359)
Davy Avenue, Knowlhill, Milton Keynes, MK5 8NL


Andrew John Eyre (BEng, CEng, MIET)
Вице-Президент По Технике Безопасности И Стандартам
Winnenden, Aug. 20, 2013

Лицо, ответственное за подготовку технической документации:
Alexander Krug, Директор
Techtronic Industries GmbH
Max-Eyth-Straße 10, 71364 Winnenden, Germany

CE

PL DEKLARACJA ZGODNOŚCI EC

Techtronic Industries GmbH
Max-Eyth-Straße 10, 71364 Winnenden, Germany

Niniejszym deklarujemy, że produkty

Elektryczna podkaszarka żytkowa/Krawędziarka
Numer modelu: RLT5027
Zakres numerów seryjnych: 44419601000001 - 44419601999999

jest zgodny z następującymi dyrektywami europejskimi i zharmonizowanymi normami

2006/42/EC, 2004/108/EC, 2000/14/EC, 2005/88/EC, 2011/65/EU,
EN 60335-1:2002+A11:2004+A1:2004+A12:2006+A2:2006+A13:2008+A14:
2010+A15:2011, EN 60335-2-91:2003, prEN 60335-2-91:2007/FprAA: 2009,
EN 786:1996+A2:2009, EN ISO 3744:2010, EN 55014-1:2006+A1:2009+A2:
2011, EN 55014-2:1997+A1:2001+A2:2008, EN 61000-3-2:2006+A1:2009
+A2:2009, EN 61000-3-3:2008, EN 62233:2008

Ponadto deklarujemy, że zostały zastosowane następujące inne normy techniczne i specyfikacje

ISO 11094:1991

Zmierzony poziom natężenia hałasu: 94,6 dB (A)
Maksymalny poziom natężenia hałasu: 96 dB (A)
Metoda ocena zgodności zgodnie z aneksem VI Dyrektywa 2000/14/EC zmieniona przez dyrektywę 2005/88/EC.
Zaangażowany organ do powiadomienia:
Intertek Testing & Certification Ltd. (Jednostka notyfikowana 0359)
Davy Avenue, Knowlhill, Milton Keynes, MK5 8NL

Andrew John Eyre (BEng, CEng, MIET)
Wiceprezes ds. Zgodności Prawnej i Bezpieczeństwa
Winnenden, Aug. 20, 2013

Osoba upoważniona do sporządzenia dokumentu technicznego:
Alexander Krug, Dyrektor Zarządzający
Techtronic Industries GmbH
Max-Eyth-Straße 10, 71364 Winnenden, Germany

HU EC MEGFELELŐSÉGI NYILATKOZAT

Techtronic Industries GmbH
Max-Eyth-Straße 10, 71364 Winnenden, Germany

Ezúton kijelentjük, hogy a termékek

Elektromos Szegevényíró/Szegevényvágó
Típuszám: RLT5027
Sorozatszám tartomány: 44419601000001 - 44419601999999

megfelel az alábbi Európai Irányelvek és harmonizált szabványok vonatkozó rendelkezéseinek

2006/42/EC, 2004/108/EC, 2000/14/EC, 2005/88/EC, 2011/65/EU,
EN 60335-1:2002+A11:2004+A1:2004+A12:2006+A2:2006+A13:2008+A14:
2010+A15:2011, EN 60335-2-91:2003, prEN 60335-2-91:2007/FprAA: 2009,
EN 786:1996+A2:2009, EN ISO 3744:2010, EN 55014-1:2006+A1:2009+A2:
2011, EN 55014-2:1997+A1:2001+A2:2008, EN 61000-3-2:2006+A1:2009
+A2:2009, EN 61000-3-3:2008, EN 62233:2008

Továbbá, nyilatkozunk arról, hogy a következő egyéb műszaki szabványokat és specifikációkat használtuk fel

ISO 11094:1991

Mért hangteljesítményszint: 94,6 dB (A)
Garantált hangteljesítményszint: 96 dB (A)
A megfelelőségi értékelési eljárás a 2000/14/EC irányelv VI. függeléke szerint történt által módosított 2005/88/EC irányelv.
A közreműködő tanúsító testület:
Intertek Testing & Certification Ltd. (A következő tanúsító testület 0359)
Davy Avenue, Knowlhill, Milton Keynes, MK5 8NL

Andrew John Eyre (BEng, CEng, MIET)
Alelnök, Megfelelőségi és Biztonsági Területek
Winnenden, Aug. 20, 2013

A műszaki dokumentáció összeállítására felhatalmazott:
Alexander Krug, Ügyvezető Igazgató
Techtronic Industries GmbH
Max-Eyth-Straße 10, 71364 Winnenden, Germany

CS PROHLÁŠENÍ O SHODĚ EC

Techtronic Industries GmbH
Max-Eyth-Straße 10, 71364 Winnenden, Germany

Tímto prohlašujeme, že výrobky

Elektrické Zárovňávací Nůžky/Obrubníková Sekáčka
Číslo modelu: RLT5027
Rozsah sériových čísel: 44419601000001 - 44419601999999

že tento výrobek je v souladu s evropskými a harmonizovanými standardy

2006/42/EC, 2004/108/EC, 2000/14/EC, 2005/88/EC, 2011/65/EU,
EN 60335-1:2002+A11:2004+A1:2004+A12:2006+A2:2006+A13:2008+A14:
2010+A15:2011, EN 60335-2-91:2003, prEN 60335-2-91:2007/FprAA: 2009,
EN 786:1996+A2:2009, EN ISO 3744:2010, EN 55014-1:2006+A1:2009+A2:
2011, EN 55014-2:1997+A1:2001+A2:2008, EN 61000-3-2:2006+A1:2009
+A2:2009, EN 61000-3-3:2008, EN 62233:2008

A dále prohlašujeme, že byly použity další následující technické normy a požadavky

ISO 11094:1991

Změřená hladina akustického výkonu: 94,6 dB (A)
Zaručená hladina akustického výkonu: 96 dB (A)
Soulad s metodou určování pro přílohu VI směrnice 2000/14/EC upravená 2005/88/EC.
Upozorněte patřičný orgán:
Intertek Testing & Certification Ltd. (Úředně oznámený orgán 0359)
Davy Avenue, Knowlhill, Milton Keynes, MK5 8NL

Andrew John Eyre (BEng, CEng, MIET)
Viceprezident, Normy a Bezpečnost
Winnenden, Aug. 20, 2013

Pověření ke kompilaci technického souboru:
Alexander Krug, Generální Reditel
Techtronic Industries GmbH
Max-Eyth-Straße 10, 71364 Winnenden, Germany

RO DECLARAȚIE DE CONFORMITATE EC

Techtronic Industries GmbH
Max-Eyth-Straße 10, 71364 Winnenden, Germany

Prin prezenta, declarăm că produsele

Motocoasă electrică cu fir/Mașină De Bordurat larba
Număr serie: RLT5027
Gamă număr serie: 44419601000001 - 44419601999999

este în conformitate cu următoarele Directive Europene și standarde armonizate

2006/42/EC, 2004/108/EC, 2000/14/EC, 2005/88/EC, 2011/65/EU,
EN 60335-1:2002+A11:2004+A1:2004+A12:2006+A2:2006+A13:2008+A14:
2010+A15:2011, EN 60335-2-91:2003, prEN 60335-2-91:2007/FprAA: 2009,
EN 786:1996+A2:2009, EN ISO 3744:2010, EN 55014-1:2006+A1:2009+A2:
2011, EN 55014-2:1997+A1:2001+A2:2008, EN 61000-3-2:2006+A1:2009
+A2:2009, EN 61000-3-3:2008, EN 62233:2008

Mai mult, declarăm că următoarele alte standarde și specificații tehnice au fost folosite

ISO 11094:1991

Nivelul măsurat al puterii acustice: 94,6 dB (A)
Nivel garantat al puterii acustice: 96 dB (A)
Metoda de evaluare a conformității cu Anexa VI Directiva 2000/14/EC modificată prin 2005/88/EC.
Organismul de notificare implicat:
Intertek Testing & Certification Ltd. (Organismul notificat 0359)
Davy Avenue, Knowlhill, Milton Keynes, MK5 8NL

Andrew John Eyre (BEng, CEng, MIET)
Vicepreședinte, Reglementare și Siguranță
Winnenden, Aug. 20, 2013

Autorizat să completeze fișa tehnică:
Alexander Krug, Director General
Techtronic Industries GmbH
Max-Eyth-Straße 10, 71364 Winnenden, Germany

LV EC ATBILSTĪBAS DEKLARĀCIJA

Technronic Industries GmbH
Max-Eyth-Straße 10, 71364 Winnenden, Germany

Ar šo paziņojam, ka produkti

Elektriskais auklas trimmeris/Apmaju trimmeris
Modeļa numurs: RLT5027
Serijs numura intervāls: 44419601000001 - 44419601999999

atbilst šādām Eiropas direktīvām un saskaņotajiem standartiem

2006/42/EC, 2004/108/EC, 2000/14/EC, 2005/88/EC, 2011/65/EU,
EN 60335-1:2002+A11:2004+A1:2004+A12:2006+A2:2006+A13:2008+A14:
2010+A15:2011, EN 60335-2-91:2003, prEN 60335-2-91:2007/FprAA: 2009,
EN 786:1996+A2:2009, EN ISO 3744:2010, EN 55014-1:2006+A1:2009+A2:
2011, EN 55014-2:1997+A1:2001+A2:2008, EN 61000-3-2:2006+A1:2009
+A2:2009, EN 61000-3-3:2008, EN 62233:2008

Turklāt mēs paziņojam, ka ir izmantoti šādi citi tehniskie standarti un specifikācijas
ISO 11094:1991

Izmērītās skaņas jaudas līmenis: 94,6 dB (A)
Garantētais skaņas intensitātes līmenis: 96 dB (A)

Atbilstības novērtēšanas metode pielikumam VI Direktīvai 2000/14/EC labota
2005/88/EC.

Iesaistītā pilnvarotā iestāde:

Intertek Testing & Certification Ltd. (Pilnvarotā iestāde 0359)
Davy Avenue, Knowlhill, Milton Keynes, MK5 8NL

Andrew John Eyre (BEng, CEng, MIET)
Viceprezidents, Darba Drošības Noteikumi
Winnenden, Aug. 20, 2013

Pilnvarots sastādīt tehnisko failu:

Alexander Krug, Izpilddirektors
Technronic Industries GmbH
Max-Eyth-Straße 10, 71364 Winnenden, Germany

ET EC VASTAVUSDEKLARĀTSIOON

Technronic Industries GmbH
Max-Eyth-Straße 10, 71364 Winnenden, Germany

Kinnitame, et see toode

Elektriline Jõhvtrimmer/Servaja
Modeli number: RLT5027
Seerianumbri vahemik: 44419601000001 - 44419601999999

vastab järgmistele Euroopa direktiividele ja harmoniseeritud standarditele

2006/42/EC, 2004/108/EC, 2000/14/EC, 2005/88/EC, 2011/65/EU,
EN 60335-1:2002+A11:2004+A1:2004+A12:2006+A2:2006+A13:2008+A14:
2010+A15:2011, EN 60335-2-91:2003, prEN 60335-2-91:2007/FprAA: 2009,
EN 786:1996+A2:2009, EN ISO 3744:2010, EN 55014-1:2006+A1:2009+A2:
2011, EN 55014-2:1997+A1:2001+A2:2008, EN 61000-3-2:2006+A1:2009
+A2:2009, EN 61000-3-3:2008, EN 62233:2008

Peale selle teatame, et on rakendatud muid allpool esitatud standardeid ja tehnilisi
tingimusi

ISO 11094:1991

Mõõdetud helivõimsuse tase: 94,6 dB (A)
Garanteeritud helivõimsuse tase: 96 dB (A)

Vastavushindamine vastavalt lisale VI direktiivis 2000/14/EC muudetud direktiiviga
2005/88/EC.

Kontrolligja seotud teavitatud asutus:

Intertek Testing & Certification Ltd. (tunnustatud asutus 0359)
Davy Avenue, Knowlhill, Milton Keynes, MK5 8NL

Andrew John Eyre (BEng, CEng, MIET)
Asepresident Standardiseerimise Ja Ohutuse Alal
Winnenden, Aug. 20, 2013

Tehnilise faili koostamiseks volitatud isik:

Alexander Krug, Tegevdirektor
Technronic Industries GmbH
Max-Eyth-Straße 10, 71364 Winnenden, Germany

LT EC ATITIKTIKIES DEKLARACIJA

Technronic Industries GmbH
Max-Eyth-Straße 10, 71364 Winnenden, Germany

Mes pareiškiame, kad šie produktai

Elektrios Žoliapjovė/Vejios Kraštų Pjunaamoji
Modelio numeris: RLT5027
Serijinio numerio diapazonas: 44419601000001 - 44419601999999

pagamintas laikantis toliau nurodytųjų Europos Direktyvų ir darniųjų standartų

2006/42/EC, 2004/108/EC, 2000/14/EC, 2005/88/EC, 2011/65/EU,
EN 60335-1:2002+A11:2004+A1:2004+A12:2006+A2:2006+A13:2008+A14:
2010+A15:2011, EN 60335-2-91:2003, prEN 60335-2-91:2007/FprAA: 2009,
EN 786:1996+A2:2009, EN ISO 3744:2010, EN 55014-1:2006+A1:2009+A2:
2011, EN 55014-2:1997+A1:2001+A2:2008, EN 61000-3-2:2006+A1:2009
+A2:2009, EN 61000-3-3:2008, EN 62233:2008

Be to, mes pareiškiame, kad laikyti kiti toliau nurodyti techniniai standartai bei
specifikacijos

ISO 11094:1991

Išmatuotas akustinis lygis: 94,6 dB (A)

Garantuotas akustinis lygis: 96 dB (A)

Atitikties įvertinimo metodas pagal direktyvos 2000/14/EC, VI Priedą su pataisomis
2005/88/EC.

Įtraukta notifikuoti įstaiga:

Intertek Testing & Certification Ltd. (Notifikuoti įstaiga 0359)
Davy Avenue, Knowlhill, Milton Keynes, MK5 8NL

Andrew John Eyre (BEng, CEng, MIET)
Kontrolės Ir Saugos Viceprezidentas
Winnenden, Aug. 20, 2013

Įgalios sudaryti techninį failą:

Alexander Krug, Generalinis Direktorius
Technronic Industries GmbH
Max-Eyth-Straße 10, 71364 Winnenden, Germany

HR EC IZJAVA O USKLADENOSTI

Technronic Industries GmbH
Max-Eyth-Straße 10, 71364 Winnenden, Germany

Uvime izjavljujemo da su proizvodi

Električni trimmer/Trimer Za Oblikovanje
Broj modela: RLT5027
Raspon serijskog broja: 44419601000001 - 44419601999999

usklađeni sa sljedećim Europskim Direktivama i usklađenim normama

2006/42/EC, 2004/108/EC, 2000/14/EC, 2005/88/EC, 2011/65/EU,
EN 60335-1:2002+A11:2004+A1:2004+A12:2006+A2:2006+A13:2008+A14:
2010+A15:2011, EN 60335-2-91:2003, prEN 60335-2-91:2007/FprAA: 2009,
EN 786:1996+A2:2009, EN ISO 3744:2010, EN 55014-1:2006+A1:2009+A2:
2011, EN 55014-2:1997+A1:2001+A2:2008, EN 61000-3-2:2006+A1:2009
+A2:2009, EN 61000-3-3:2008, EN 62233:2008

Nadalje, izjavljujemo da su se koristili sljedeći tehnički standardi i specifikacije
ISO 11094:1991

Izmjerena razina zvučne snage: 94,6 dB (A)

Jamčena razina zvučne snage: 96 dB (A)

Metoda procjene usklađenosti prema Dodatku VI Direktive 2000/14/EC navedeno
u 2005/88/EC.

Uključena oznaka broja tijela:

Intertek Testing & Certification Ltd. (Nadležno tijelo 0359)
Davy Avenue, Knowlhill, Milton Keynes, MK5 8NL

Andrew John Eyre (BEng, CEng, MIET)
Potpredsjednik za Pravila i Sigurnost
Winnenden, Aug. 20, 2013

Ovlašten da sastavi tehničku datoteku:

Alexander Krug, Direktor Upravljanja
Technronic Industries GmbH
Max-Eyth-Straße 10, 71364 Winnenden, Germany

SL IZJAVA EC O SKLADNOSTI

Techtronic Industries GmbH
Max-Eyth-Straße 10, 71364 Winnenden, Germany

Izjavljamo, da je izdelek

Električna Nitna Kosilnica/Kosilnica Za Robove
Številka modela: RLT5027
Razpon serijskih števil: 44419601000001 - 44419601999999

v skladu s sledečimi evropskimi direktivami in harmoniziranimi standardi

2006/42/EC, 2004/108/EC, 2000/14/EC, 2005/88/EC, 2011/65/EU,
EN 60335-1:2002+A11:2004+A1:2004+A12:2006+A2:2006+A13:2008+A14:
2010+A15:2011, EN 60335-2-91:2003, prEN 60335-2-91:2007/FprAA: 2009,
EN 786:1996+A2:2009, EN ISO 3744:2010, EN 55014-1:2006+A1:2009+A2:
2011, EN 55014-2:1997+A1:2001+A2:2008, EN 61000-3-2:2006+A1:2009
+A2:2009, EN 61000-3-3:2008, EN 62233:2008

Poleg tega izjavljamo, da so bili uporabljeni naslednji drugi tehnični standardi in specifikacije

ISO 11094:1991

Izmerjena raven zvočne moči: 94,6 dB (A)
Zajamčena raven zvočne moči: 96 dB (A)

Način ugotavljanja skladnosti z aneksom VI direktive 2000/14/EC ki je bila spremenjena z 2005/88/EC.

Priglašeni organ:

Intertek Testing & Certification Ltd. (Priglašeni organ 0359)
Davy Avenue, Knowlhill, Milton Keynes, MK5 8NL

Andrew John Eyre (BEng, CEng, MIET)
Podpredsednik, Zakonodajne In Varnostne Zadeve
Winnenden, Aug. 20, 2013

Pooblaščen oseba za sestavo tehnične dokumentacije:
Alexander Krug, Izvršni Direktor
Techtronic Industries GmbH
Max-Eyth-Straße 10, 71364 Winnenden, Germany

BG ЕС ДЕКЛАРАЦИЯ НА ЗА СЪОТВЕТСТВИЕ

Techtronic Industries GmbH
Max-Eyth-Straße 10, 71364 Winnenden, Germany

С настоящето декларираме, че продуктите

Електрически тример с найлоново влакно/Тример за оформяне на ръбове
Номер на модела: RLT5027
Обхват на серийни номера: 44419601000001 - 44419601999999

отговаря на следните директиви на ЕС и хармонизирани стандарти

2006/42/EC, 2004/108/EC, 2000/14/EC, 2005/88/EC, 2011/65/EU,
EN 60335-1:2002+A11:2004+A1:2004+A12:2006+A2:2006+A13:2008+A14:
2010+A15:2011, EN 60335-2-91:2003, prEN 60335-2-91:2007/FprAA: 2009,
EN 786:1996+A2:2009, EN ISO 3744:2010, EN 55014-1:2006+A1:2009+A2:
2011, EN 55014-2:1997+A1:2001+A2:2008, EN 61000-3-2:2006+A1:2009
+A2:2009, EN 61000-3-3:2008, EN 62233:2008

Освен това декларираме, че са използвани следните други технически стандарти и спецификации

ISO 11094:1991

Izмерено ниво на шум: 94,6 dB (A)
Гарантирано ниво на шум 96 dB (A)

Метод за оценяване на съответствието с приложение VI Директива 2000/14/EC, изменена от 2005/88/EC.

Отговорен нотифициращ орган:

Intertek Testing & Certification Ltd. (Нотифициран орган 0359)
Davy Avenue, Knowlhill, Milton Keynes, MK5 8NL

Andrew John Eyre (BEng, CEng, MIET)
Вицепрезидент, Правни Услуги И Безопасност
Winnenden, Aug. 20, 2013

Упълномощено лице за съставяне на техническия файл:
Alexander Krug, Изпълнителен Директор
Techtronic Industries GmbH
Max-Eyth-Straße 10, 71364 Winnenden, Germany

SK PREHLÁSENIE O ZHODE EC

Techtronic Industries GmbH
Max-Eyth-Straße 10, 71364 Winnenden, Germany

Týmto vyhlasujeme, že výrobok

Elektrický Drôtový Orezávač/Obrubovačka
Číslo modelu: RLT5027
Rozsah sériových čísiel: 44419601000001 - 44419601999999

je v súlade s nasledujúcimi Európskymi smernicami a harmonizovanými normami

2006/42/EC, 2004/108/EC, 2000/14/EC, 2005/88/EC, 2011/65/EU,
EN 60335-1:2002+A11:2004+A1:2004+A12:2006+A2:2006+A13:2008+A14:
2010+A15:2011, EN 60335-2-91:2003, prEN 60335-2-91:2007/FprAA: 2009,
EN 786:1996+A2:2009, EN ISO 3744:2010, EN 55014-1:2006+A1:2009+A2:
2011, EN 55014-2:1997+A1:2001+A2:2008, EN 61000-3-2:2006+A1:2009
+A2:2009, EN 61000-3-3:2008, EN 62233:2008

A ďalej vyhlasujeme, že boli použité nasledujúce ďalšie technické normy a špecifikácie

ISO 11094:1991

Nameraná úroveň hluku: 94,6 dB (A)
Garantovaná úroveň hluku: 96 dB (A)

Spôsob určenia zhody podľa Dodatku VI Smernica 2000/14/EC doplnená o 2005/88/EC.

K ohlasovaniu úradom patria:

Intertek Testing & Certification Ltd. (Oboznámený orgán 0359)
Davy Avenue, Knowlhill, Milton Keynes, MK5 8NL

Andrew John Eyre (BEng, CEng, MIET)
Viceprezident, Regulácia a Bezpečnosť
Winnenden, Aug. 20, 2013

Oprávnená osoba na zostavenie technického súboru:
Alexander Krug, Generálny Riaditeľ
Techtronic Industries GmbH
Max-Eyth-Straße 10, 71364 Winnenden, Germany



RYOBI®

