



## RazorCut Premium 33 / 38

Handrasenmäher

Hand Lawnmower

Tondeuse à main

Handmaaier

Rasaprato a mano

Cortacésped manual

Corta-relva manual

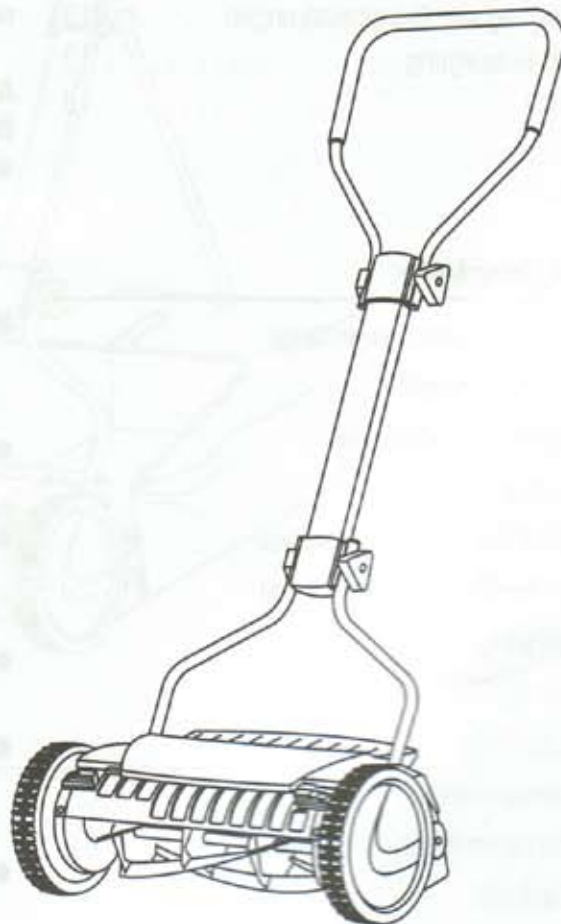
Håndklipper

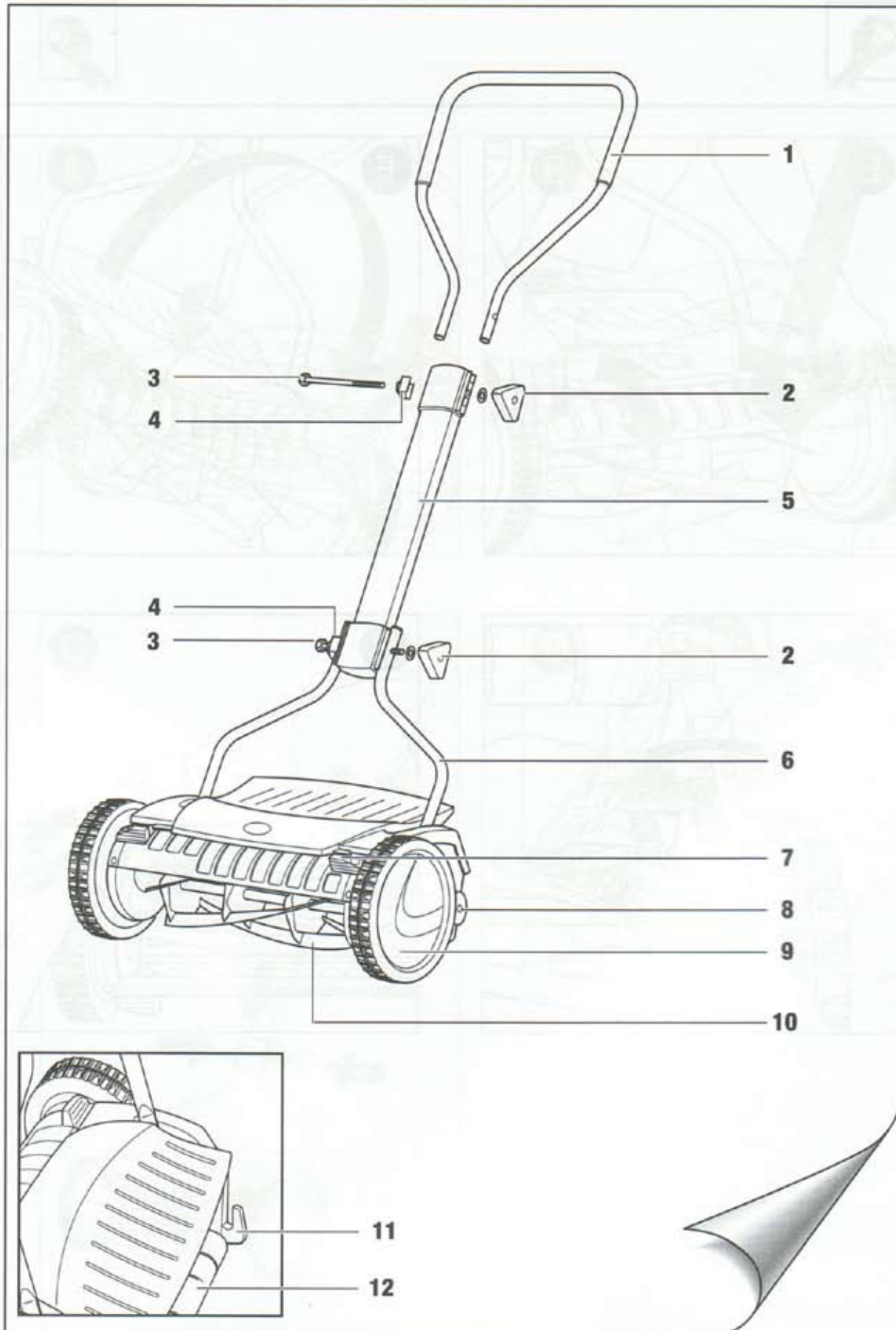
Handgräsklippare

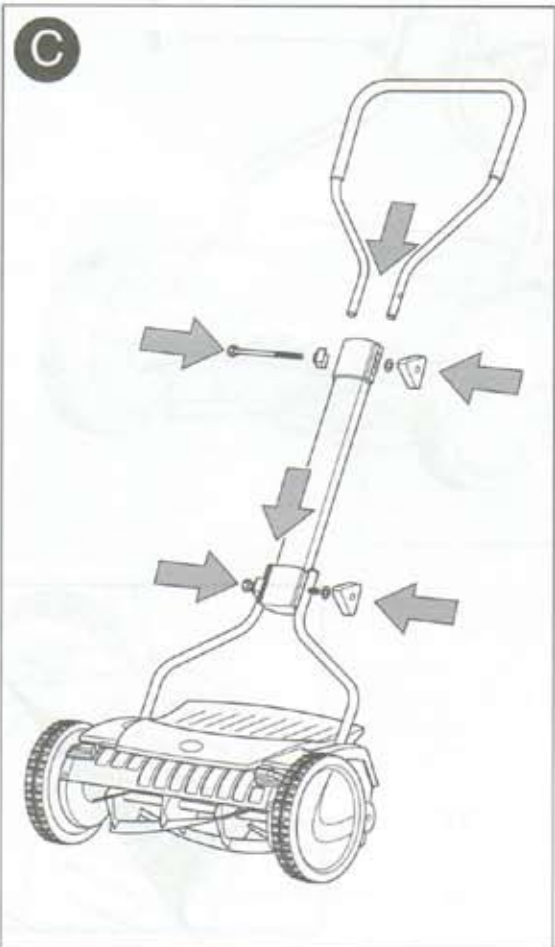
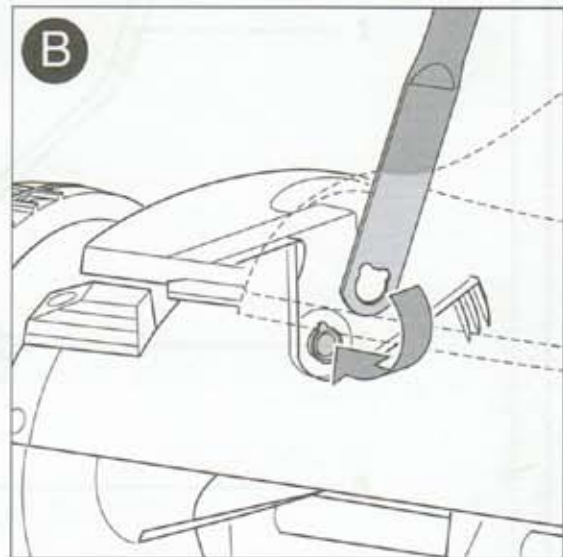
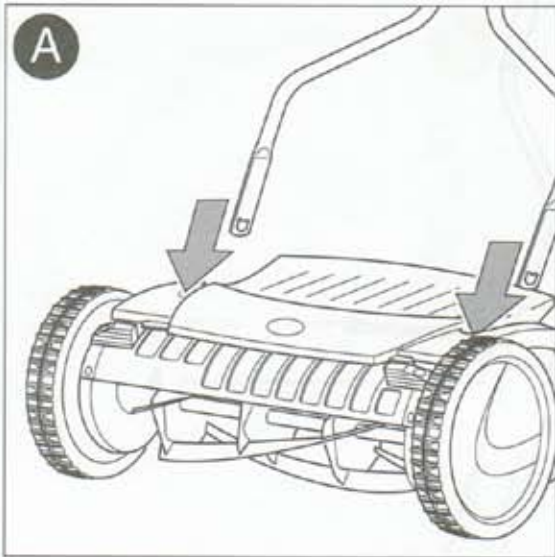
Ręczna kosiarka do  
trawników

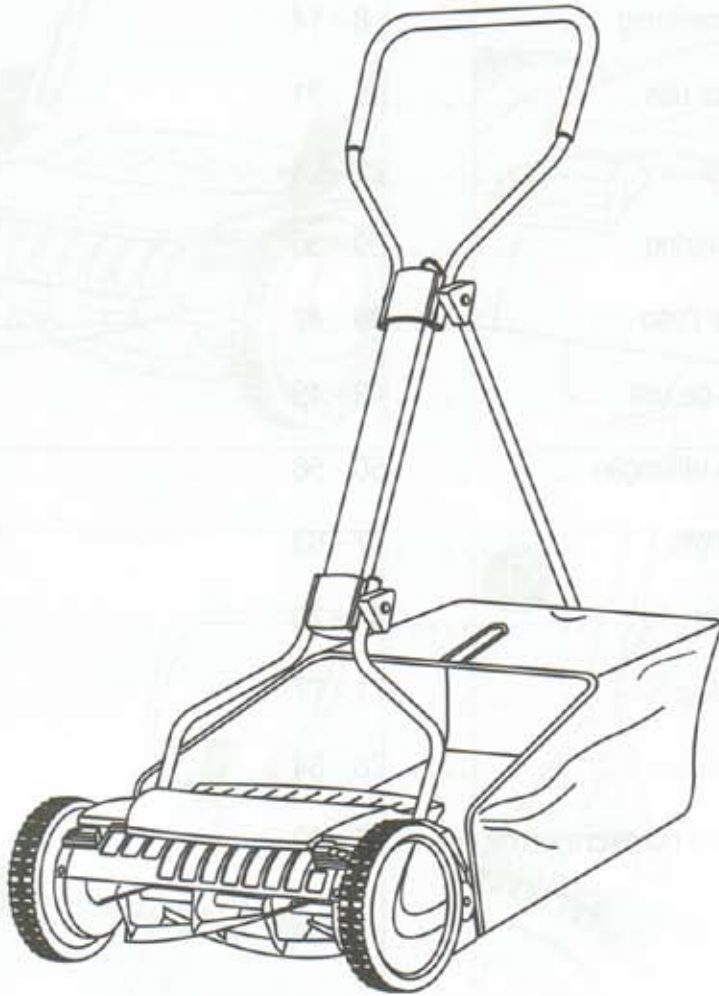
Ruční travní sekačky

Ручная газонокосилка











## Contents

Operating parts .....	15
General notes on safety .....	15
Use in accordance with purpose .....	16
Scope of supply .....	16
Fitting the guide handle .....	16
Putting into operation .....	16
Safety information for mowing .....	17
How to cut properly .....	18
Maintenance, care and storage .....	18
Tips .....	19
Environmental protection .....	19
Troubleshooting .....	19
Elimination of faults .....	20
Disposal of appliance .....	20
Warranty .....	20

## Operating parts

- 1 Upper section of the guide handle
- 2 Clamping grip
- 3 Frame clamping screw
- 4 Clamping part
- 5 Middle section of the guide handle
- 6 Lower section of the guide handle
- 7 Handle bolts
- 8 Fixing nuts
- 9 Wheels
- 10 Blade roller
- 11 Suspension hooks for grass catcher
- 12 Roller

## General notes on safety



**Please carefully read the operating instructions before setting up and starting your mower and adhere to the general and safety instructions enclosed therein. Use this operating manual and the safety instructions in order to familiarise yourself with the implement, the adjusting parts and the correct use.**

**Keep the operating instructions in a safe place and pass them on to the next owner.**

**All safety instructions are always intended for your own safety!**

- To avoid damage or danger by improper use, the instructions for use should be carefully kept and followed!
- If you give the appliance to another person then you should also supply them with the instructions for use!
- Always use the appliance for the appropriate purpose!
- Remember that the user or operator is responsible for all accidents that occur involving other people or their property.
- Never mow your lawn if other people, especially children and pets are nearby.
- People with nervous disorders should not operate the appliance when alone in order to avoid any possible danger!
- Children are not aware of the hazards of this appliance. Therefore close supervision is necessary when the appliance is used by children!
- Keep packaging material e.g. plastic bags out of the reach of children!
- Protect the appliance against weather conditions (humidity, frost).
- Local regulations may specify a minimum age for users of this type of gardening equipment.

## Use in accordance with purpose

The appliance is only intended for cutting lawns and areas of grass in domestic gardens and allotments.

Adherence to the instructions for use enclosed by Brill-GLORIA is a precondition for the proper use of the equipment. The instructions for use also include the operating, care and maintenance instructions.

**We must expressly note that we do not accept any liability under the product liability act for any damages resulting from use for any other purpose than the intended use, incorrect operation or non-professional repairs. In this case no guarantee will be given!**

The appliance is **not** intended for **professional purposes!**

## Scope of supply

### Checking all the parts are included:

The box contains the following parts:

- Hand lawnmower
- 1 upper section of the guide handle
- 1 middle section of the guide handle
- 2 lower section of the guide handle
- Assembly parts for the guide handle in a plastic bag
- 1 thickness gauge
- 1 user's manual

## Fitting the guide handle

### Pictures **A** and **B**

- Insert the lower section of the guide handle **(6)** through the opening of the unit as shown. The boreholes on the lower section of the guide handle **(6)** must be pushed over the handle bolts.

### Note!

The lower section of the guide handle can only be pushed onto the handle bolts when the cut-outs in the boreholes and the nose of the handle bolts are over each other. Once both are over each other, the handle will slide over the bolt and is then secured in place.

 **Do not use force!**

- Repeat the process with the second lower section of the guide handle on the opposite side.

### Picture **C**

- Connect the components as shown from the bottom upwards. To assemble, insert the frame clamping screw **(3)** through the clamping part **(4)** and the boreholes. Push the washer over the frame clamping screw and hand-tighten the screw with the clamping grip **(2)**.

## Putting into operation

### Setting the cutting height

### Pictures **D** and **E**

- Place the mower on a solid, flat surface. Stand behind the mower so that you can place a foot on the roller **(12)**.
- Loosen both lock nuts **(8)**.
- Using both hands, set the desired cutting height with the adjusting handles **(7)**.



## Note!

The scales on the cutting adjustment indicate the approximate cutting height:

**14 mm\* = shortest cut**

**45 mm\* = longest cut**

\*) Applies to the models RazorCut Premium 33 and RazorCut Premium 38.

Ensure that the cutting height marking arrows on both sides indicate the same cutting height on the scale. The cutting equipment may only be set so deep that the lower blade cannot touch the ground regardless of any unevenness present.

- Once you have set the correct cutting height, tighten the two lock nuts again (8).

## Safety information for mowing



- Before each use, check the mower visually to ensure that nuts, bolts and the cutting equipment are not worn or damaged.

Do not use the equipment if safety devices (safety covers) and/or if the cutting device is damaged or worn.

Never disable safety devices.



- Only use when visibility is sufficient. Never use the equipment in the rain or in damp, wet conditions.
- When mowing, wear sturdy shoes with non-slip grip soles together with long trousers.

## Attention! Rotating cutting equipment. Danger of cutting from sharp blades.



- Be careful! The rotating blade roller (10) can cause serious injuries. Always keep the safety distance between the user and blade roller shown by the push bar. Never place your hands or feet on or under the cutting equipment. The cutting equipment continues to rotate after you stop mowing!



- Check the area that you want to mow beforehand to avoid damage to the mower or to living beings and objects. Stones, wood, wires and other foreign bodies must be removed. Objects that are caught by the cutting equipment can be flung out uncontrollably. Keep bystanders away from the danger zone.
- If the cutting equipment or the mower hits an obstacle or foreign body, you should check the mower for damage.
- Take extra care when mowing on embankments and slopes:
  - make sure you are on firm ground and always mow across a slope.
  - only push the equipment at walking pace.
  - do not mow on excessively steep slopes.
  - **Danger of stumbling!** Take special care when moving backwards and when pulling the appliance.

## How to cut properly

The appliances can cut grass up to the following lengths:

Model	Length in mm
RazorCut Premium 33	140
RazorCut Premium 38	140

**Note!** If you want a well-looked after lawn, the grass must always be kept shorter.

- At the beginning of the cutting period, and with new lawns, select a relatively high cutting height and gradually reduce this each time you mow the lawn. If you want to have a well-maintained lawn, set the cutting height to approx. 20 mm.
- Cut the grass every week if possible. Frequent cutting forces the growth into the cut stalk and makes it resistant. If possible, always cut the grass when it is relatively dry. To obtain a clear pattern, push the appliance in straight lines at an even walking pace. The cutting paths should overlap by a few centimetres to avoid leaving strips of grass.

## Maintenance, care and storage

Maintenance covers all work required to keep the mower in good operating condition. Regular checks (firm fit of screw connections, cracks, damage) and replacement of damaged or worn parts will help prevent accidents and mower failures.

- Clean the mower after use and lightly grease the bearings.  
Grease the cutting blades.
- Store the mower in a dry room.
- Models with contactless cutting technology cannot be re-sharpened due to the special cutting geometry. The cutting equipment (consisting of the lower blade and blade roller) must, if necessary, be replaced as a complete set.

Ask your retailer, he will be pleased to advise you. Repairs on the mower and the installation of blades may only be implemented by appropriate specialist workshops.

- Have your mower checked in the autumn where possible so that it is ready to use in the next mowing season.



- For safety reasons, only use original spare parts supplied by the manufacturer or parts that have been authorised by the manufacturer.
- We expressly point out that in accordance with product liability laws, we are not liable for any damage caused by our units if this damage is due to improper repair or if parts exchanged are not our original parts or parts approved by us, and if the repairs were not carried out at a service centre authorised by the manufacturer or by an authorised specialist. The same applies to spare parts and accessories.

## Adjusting the cutting equipment

Pictures **F** and **G**

The cutting equipment on your mower was correctly set before leaving our factory. If the lawn cut becomes untidy after longer use, correct the lower blade position.

### Attention! Rotating cutting equipment. Danger of cutting from sharp blades.



- Working on the cutting equipment can lead to serious injury from cuts. Always wear protective gloves when implementing changes in settings or maintenance work on the cutting equipment. The cutting equipment continues to rotate after you stop mowing!



- Turn the mower upside down through 180° so that the blade roller points upwards.
- Insert the supplied thickness gauge between the blade of the blade roller and the lower blade on the left-hand side.
- Turn the hexagonal screw with a 10 mm open-end wrench clockwise until the thickness gauge is lightly in contact. Repeat this procedure on the right-hand side of the mower.

### Checking the cutting equipment with a cutting test

#### Picture **H**

**Attention! Rotating cutting equipment. Danger of cutting from sharp blades.**



- Working on the cutting equipment can lead to serious injury from cuts. Always wear protective gloves when implementing changes in settings or maintenance work on the cutting equipment. The cutting equipment continues to rotate after you stop mowing!
- Rotate the blade roller to test it; none of the 5 blades should touch or rub on the lower blade.
- Carry out a cutting test as shown with newspaper. To rotate the blade roller, turn the roller. **Never put your hand into the cutting equipment.**

### Tips

#### Mowing with the grass catcher (accessories)

#### Picture **I**

You do not have to rake up the grass clippings if you use the grass catcher. This is available as an accessory from specialist retailers.

To ensure clippings are correctly collected, ensure that the lawn is dry and that you push the mower at a relatively fast speed.

### Environmental protection



The packing material and the unit and accessories are made of materials that can be recycled.

Appropriate separation and disposal of the remaining materials helps recycling.

### Troubleshooting

#### General

Faults usually occur if the appliance has not been handled, cared for or maintained properly. The following table "Elimination of faults" contains the most common faults and remedies to eliminate these faults. If you have any other problems, please contact your nearest service centre authorised by the manufacturer, or your nearest authorised specialist dealer.

## Elimination of faults

Fault	Possible Cause	Remedy
Abnormal noises, lawnmower rattles	Screws on the cutting equipment or mower housing are loose	Tighten bolts
Lawn turning yellow, cut not clean	Blade is too blunt	Change blade
	Cutting height too low	Use a slightly higher cutting height
	Cutting gap between blade roller and lower blade is too large	Readjust cutting gap with thickness gauge
The appliance leaves deep tracks	Ground softened by water, lawn too wet	Allow lawn to dry, do not mow if grass is wet

## Disposal of appliance



This symbol on the product, operating instructions or packaging indicates that this product, at the end of its service life, may not be disposed of as normal household waste.

It must be disposed of at a collection point for the recycling of electric and electronic appliances.

Materials are to be recycled according to their classification. Through the correct disposal of the used appliance, recycling of materials and other forms of recycling, you are making a valuable contribution towards the protection of our environment.

Please ask your local authorities for a list of appropriate recycling points.

## Warranty

The manufacturer warrants its products for exclusively non-commercial use for a period of 24 months from the date of original purchase.

This warranty does not affect statutory warranty claims. The warranty covers all substantial faults of the product, which are caused by defects in material and workmanship. If a product exhibits such a defect we will, at our option, repair or replace it without cost for parts and labour provided the following requirements are fulfilled:

- The product must have been sold to the customer in a legally correct way.
- The original receipt with the customer's address, date of purchase, model and product designation is presented as proof of purchase.
- The product must have been purchased within the EC.
- The product was handled properly and according to the recommendations in the operating instructions.

- It is essential that the product has been maintained and cleaned according to the information in the operating instructions. No attempt to disassemble or repair the product has been made by either the buyer or an unauthorised third party.
- It must be ensured that only original replacement parts and original accessories approved by the manufacturer are used. There may be an increased risk of consequential damage and accidents if non-original parts or non-original accessories are used. This warranty does not cover consequential damages.
- The product must be either taken directly or sent with postage paid to an authorised service centre.
- The original receipt must be sent with the product.
- The warranty does not cover damage from misuse, abuse, use of unsuitable, non-original or unauthorised interchangeable parts, replacement parts or accessories, as well as improper maintenance and cleaning.

The products contain various components that are subject to normal or use-related wear. The warranty does not extend to these wearing parts.

In particular the following components relating to this product are excluded:

Blades / blade bar / drive belt / care roller / blade roller / lower blade / cutting plate / cutting line / cutting head cover / saw blade / nickel-cadmium-cell (battery) / brush / aerator cylinder.

The manufacturer warranty does not affect existing warranty claims between the customer and the dealer / seller.