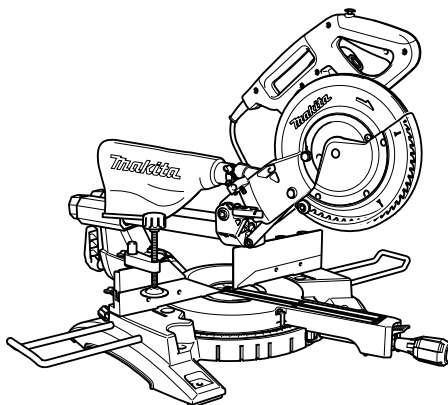
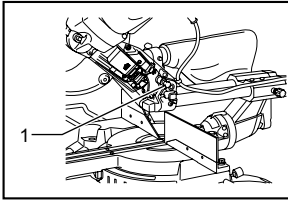




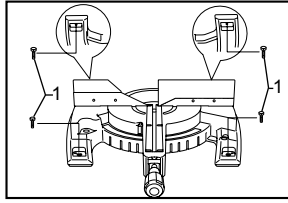
GB	Slide Compound Miter Saw	INSTRUCTION MANUAL
UA	Пересувна комбінована пила для різання під кутом	ІНСТРУКЦІЯ З ЕКСПЛУАТАЦІЇ
PL	Ukośnica	INSTRUKCJA OBSŁUGI
RO	Ferăstrău glisant pentru tăieri oblice combinate	MANUAL DE INSTRUCȚIUNI
DE	Kapp- und Gehrungssäge	BEDIENUNGSANLEITUNG
HU	Kombinált csúszógérvágó	HASZNÁLATI KÉZIKÖNYV
SK	Posuvná pokosová píla na kombinované rezanie	NÁVOD NA OBSLUHU
CZ	Radiální pokosová píla	NÁVOD K OBSLUZE

LS1018  
LS1018L

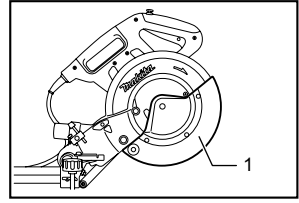




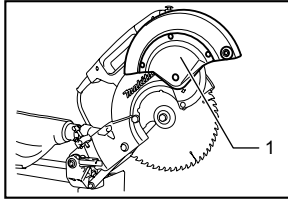
**1** 011380



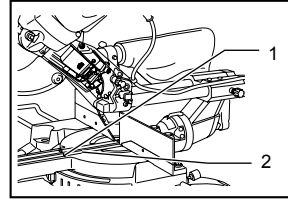
**2** 011383



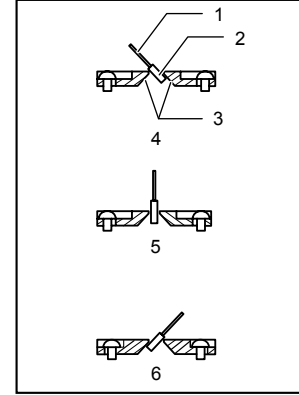
**3** 010230



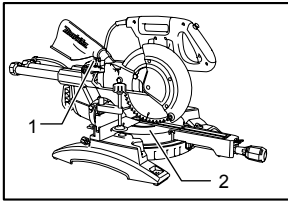
**4** 010231



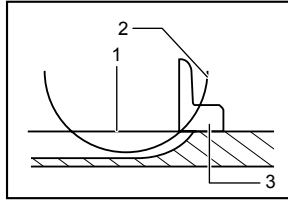
**5** 010297



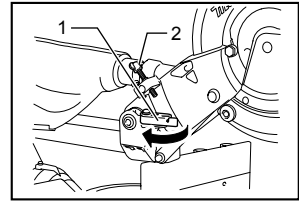
**6** 001538



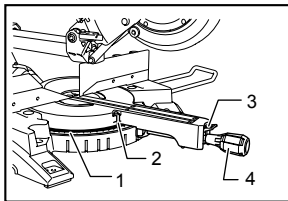
**7** 010298



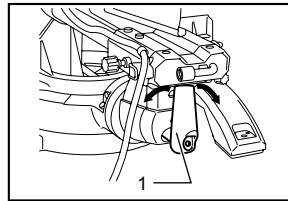
**8** 001540



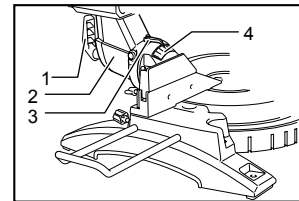
**9** 010233



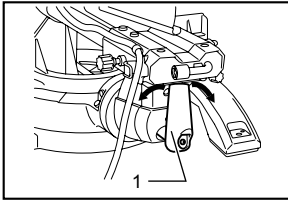
**10** 010409



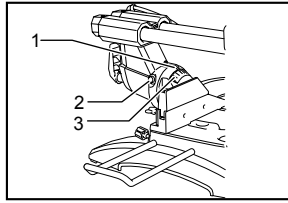
**11** 011337



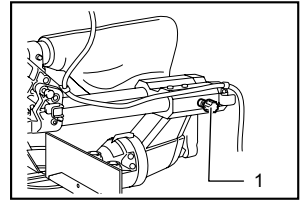
**12** 011336



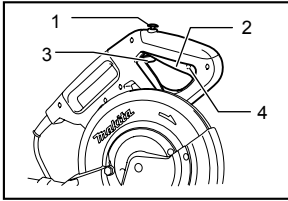
**13** 011337



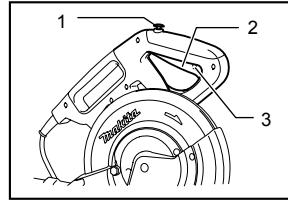
**14** 011353



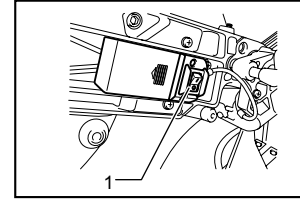
**15** 010431



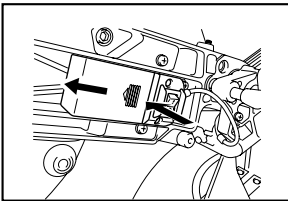
**16** 010238



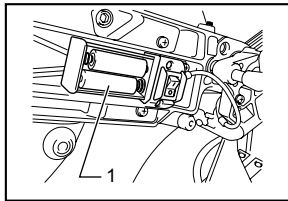
**17** 010237



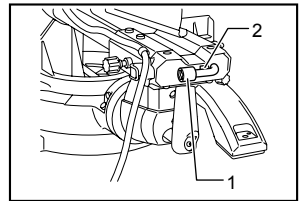
**18** 010257



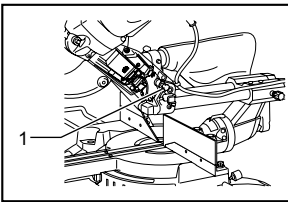
**19** 010399



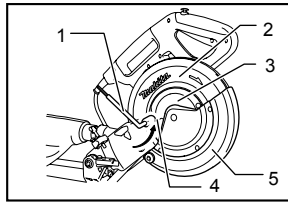
**20** 010259



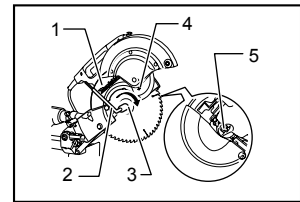
**21** 011338



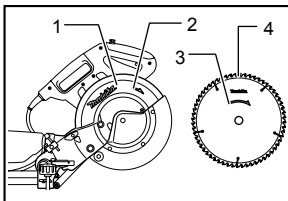
**22** 010477



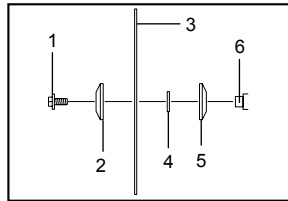
**23** 010241



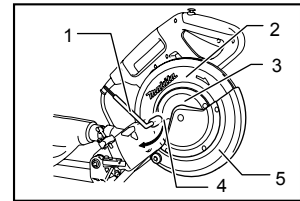
**24** 010242



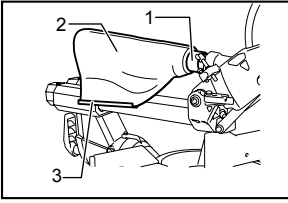
**25** 010244



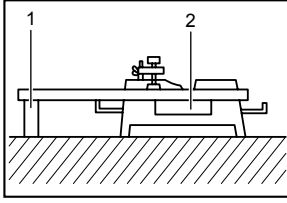
**26** 010243



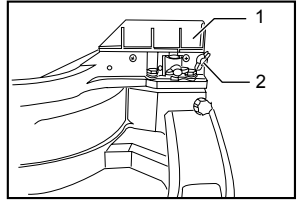
**27** 010562



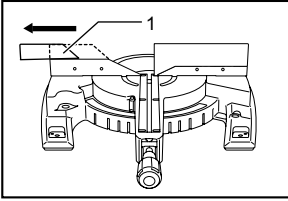
**28** 011339



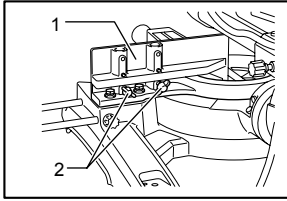
**29** 001549



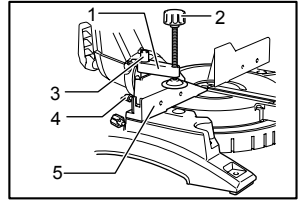
**30** 010480



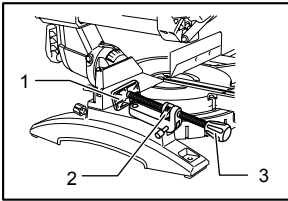
**31** 010472



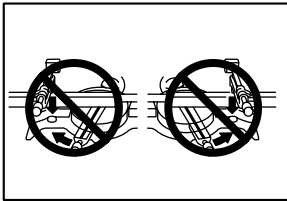
**32** 010427



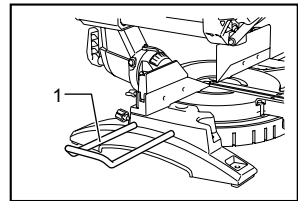
**33** 011346



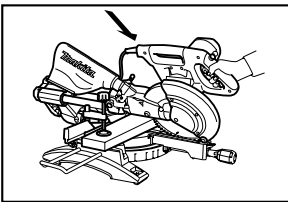
**34** 011343



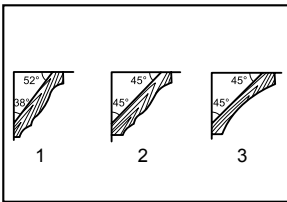
**35** 005232



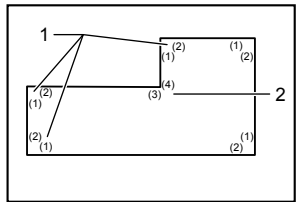
**36** 011378



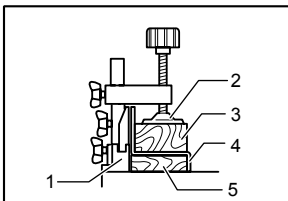
**37** 010249



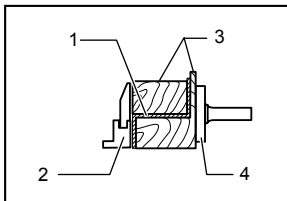
**38** 001555



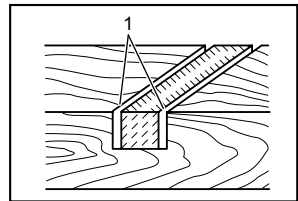
**39** 001557



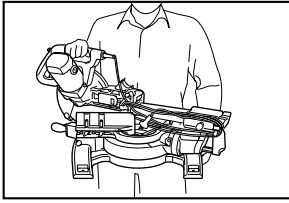
**40** 010404



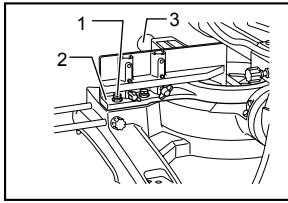
**41** 010469



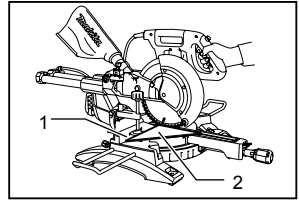
**42** 001563



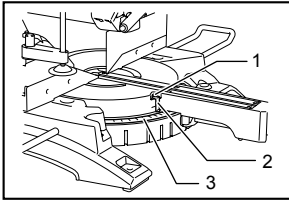
**43** 011411



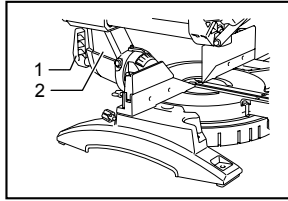
**44** 010410



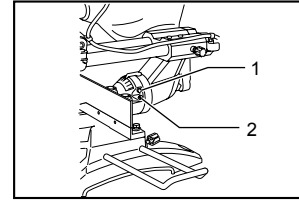
**45** 011412



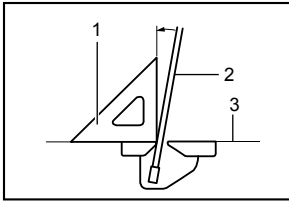
**46** 010253



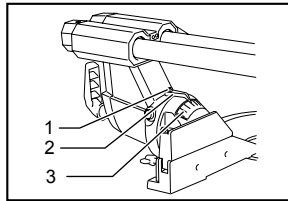
**47** 011413



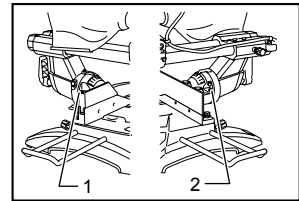
**48** 011379



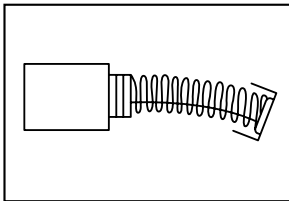
**49** 001819



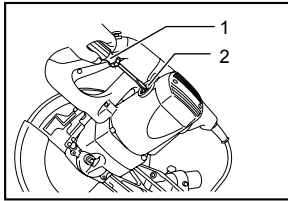
**50** 011342



**51** 011381



**52** 007834



**53** 010412

## ENGLISH

### Contents

SPECIFICATIONS .....	8
General Power Tool Safety Warnings .....	9
ADDITIONAL SAFETY RULES FOR TOOL .....	9
INSTALLATION .....	10
FUNCTIONAL DESCRIPTION .....	10
ASSEMBLY .....	13
OPERATION .....	15
MAINTENANCE .....	19
OPTIONAL ACCESSORIES .....	20

## УКРАЇНСЬКА

### Зміст

ТЕХНІЧНІ ХАРАКТЕРИСТИКИ .....	22
Застереження стосовно техніки безпеки при роботі з електроприладами .....	23
ДОДАТКОВІ ПРАВИЛА БЕЗПЕКИ ПРИ КОРИСТУВАННІ ІНСТРУМЕНТОМ .....	23
ВСТАНОВЛЕННЯ .....	25
ІНСТРУКЦІЯ З ВИКОРИСТАННЯ .....	25
КОМПЛЕКТУВАННЯ .....	28
ЗАСТОСУВАННЯ .....	31
ТЕХНІЧНЕ ОБСЛУГОВУВАННЯ .....	35
ДОДАТКОВЕ ПРИЛАДДЯ .....	36

## POLSKI

### Spis treści

SPECYFIKACJE .....	38
Ogólne zasady bezpieczeństwa obsługi elektronarzędzi .....	39
ODDATKOWE ZASADY BEZPIECZENSTWA DOTYCZĄCE NARZĘDZIA .....	39
MONTAŻ .....	41
OPIS DZIAŁANIA .....	41
MONTAŻ .....	44
DZIAŁANIE .....	46
KONSERWACJA .....	50
AKCESORIA OPCJONALNE .....	52

## ROMÂNĂ

### Cuprins

SPECIFICAȚII .....	54
Avertismente generale de siguranță pentru unelte electrice .....	55
NORME SUPLIMENTARE DE SECURITATE PENTRU MAȘINĂ .....	55
INSTALARE .....	57
DESCRIERE FUNCȚIONALĂ .....	57
MONTARE .....	60
FUNCȚIONARE .....	62
ÎNȚEȚINERE .....	66
ACCESORII OPȚIONALE .....	67

## DEUTSCH

### Inhalt

TECHNISCHE DATEN .....	69
Allgemeine Sicherheitshinweise für Elektrowerkzeuge70	
ZUSÄTZLICHE SICHERHEITSGELTEN FÜR DAS WERKZEUG .....	70
INSTALLATION .....	72
FUNKTIONSBESCHREIBUNG .....	72
MONTAGE .....	75
ARBEIT .....	78
WARTUNG .....	83
SONDERZUBEHÖR .....	84

## MAGYAR

### Tartalom

RÉSZLETES LEÍRÁS .....	86
A szerszámgépekre vonatkozó általános biztonsági figyelmeztetések .....	87
KIEGÉSZÍTŐ BIZTONSÁGI ELŐÍRÁSOK A SZERSZÁMRA VONATKOZÓAN .....	87
ÜZEMBEHELYEZÉS .....	89
MŰKÖDÉSI LEÍRÁS .....	89
ÖSSZESZERELÉS .....	92
ÜZEMELTETÉS .....	94
KARBANTARTÁS .....	98
OPCIONÁLIS KIEGÉSZÍTŐK .....	99

## SLOVENSKÝ

### Obsah

TECHNICKÉ ÚDAJE .....	101
Všeobecné bezpečnostné predpisy pre elektronáradie .....	102
ĎALŠIE BEZPEČNOSTNÉ ZÁSADY PRE NÁSTROJ .....	102
INŠTALÁCIA .....	103
POPIS FUNKCIE .....	104
MONTÁŽ .....	107
PRÁCA .....	109
ÚDRŽBA .....	113
VOLITELNÉ PRÍSLUŠENSTVO .....	114

## ČESKÝ

### Obsah

TECHNICKÉ ÚDAJE .....	116
Obecná bezpečnostní upozornění k elektrickému nářadí .....	117
DOPLŇKOVÁ BEZPEČNOSTNÍ PRAVIDLA PRO NÁSTROJ .....	117
INSTALACE .....	118
POPIS FUNKCE .....	118
MONTÁŽ .....	121
PRÁCE .....	124
ÚDRŽBA .....	127
VOLITELNÉ PRÍSLUŠENSTVÍ .....	128

## ENGLISH (Original instructions)

### Explanation of general view

1-1. Stopper pin	21-2. Wrench holder	34-3. Vise knob
2-1. Bolts	22-1. Stopper pin	36-1. Holder
3-1. Blade guard	23-1. Socket wrench	38-1. 52/38 ° type crown molding
4-1. Blade guard	23-2. Blade case	38-2. 45 ° type crown molding
5-1. Screw	23-3. Center cover	38-3. 45 ° type cove molding
5-2. Kerf board	23-4. Hex bolt	39-1. Inside corner
6-1. Saw blade	23-5. Blade guard	39-2. Outside corner
6-2. Blade teeth	24-1. Blade case	40-1. Guide fence
6-3. Kerf board	24-2. Socket wrench	40-2. Vise
6-4. Left bevel cut	24-3. Hex bolt	40-3. Spacer block
6-5. Straight cut	24-4. Arrow	40-4. Aluminum extrusion
6-6. Right bevel cut	24-5. Shaft lock	40-5. Spacer block
7-1. Adjusting bolt	25-1. Blade case	41-1. Aluminum extrusion
7-2. Turn base	25-2. Arrow	41-2. Guide fence
8-1. Top surface of turn base	25-3. Arrow	41-3. Spacer block
8-2. Periphery of blade	25-4. Saw blade	41-4. Horizontal vise (optional accessory)
8-3. Guide fence	26-1. Hex bolt (left-handed)	42-1. Cut grooves with blade
9-1. Stopper arm	26-2. Outer flange	44-1. Hex bolt
9-2. Adjusting screw	26-3. Saw blade	44-2. Guide fence
10-1. Miter scale	26-4. Ring	44-3. Grip
10-2. Pointer	26-5. Inner flange	45-1. Guide fence
10-3. Lock lever	26-6. Spindle	45-2. Triangular rule
10-4. Grip	27-1. Socket wrench	46-1. Screw
11-1. Lever	27-2. Blade case	46-2. Pointer
12-1. Lever	27-3. Center cover	46-3. Miter scale
12-2. Arm	27-4. Hex bolt	47-1. Lever
12-3. Pointer	27-5. Blade guard	47-2. Arm
12-4. Bevel scale	28-1. Dust nozzle	48-1. 0 ° adjusting bolt
13-1. Lever	28-2. Dust bag	48-2. Left 45 ° bevel angle adjusting bolt
14-1. Pointer	28-3. Fastener	49-1. Triangular rule
14-2. Release button	29-1. Support	49-2. Saw blade
14-3. Bevel scale	29-2. Turn base	49-3. Top surface of turn table
15-1. Locking screw	30-1. Sliding fence	50-1. Screw
16-1. Lock-off button	30-2. Clamping screw	50-2. Pointer
16-2. Switch trigger	31-1. Sliding fence	50-3. Bevel scale
16-3. Lever	32-1. Sub-fence R	51-1. Right 45 ° bevel angle adjusting bolt
16-4. Hole for padlock	32-2. Screws	51-2. Left 45 ° bevel angle adjusting bolt
17-1. Lock-off button	33-1. Vise arm	53-1. Screwdriver
17-2. Switch trigger	33-2. Vise knob	53-2. Brush holder cap
17-3. Hole for padlock	33-3. Vise rod	
18-1. Switch for laser	33-4. Screw	
20-1. Dry cell	33-5. Guide fence	
21-1. Socket wrench with hex wrench on its other end	34-1. Vise plate	
	34-2. Vise nut	

---

# SPECIFICATIONS

Model	LS1018 / LS1018L
Blade diameter	255 mm - 260 mm
Blade body thickness	1.6 mm - 2.4 mm
Hole diameter	
For all countries other than European countries	25.4 mm
For European countries	30 mm
Max. Cutting capacities (H x W) with 260 mm in diameter	

Miter angle	Bevel angle		
	45° (left)	0°	45° (right)
0°	50 mm x 310 mm	91 mm x 310 mm	31 mm x 310 mm
45°	50 mm x 220 mm	91 mm x 220 mm	31 mm x 220 mm
60° (right)	-	91 mm x 153 mm	-










No load speed (min <sup>-1</sup> )	4,300
Laser Type (LS1018L only)	Red Laser 650 nm, <1mW ( Laser Class 2 )
Dimensions (L x W x H)	825 mm x 536 mm x 633 mm
Net weight	For all countries other than European countries.....19.8 kg For European countries.....19.9 kg
Safety class	II

- Due to our continuing programme of research and development, the specifications herein are subject to change without notice.
- Specifications may differ from country to country.
- Weight according to EPTA-Procedure 01/2003

END222-1

## Symbols

The following show the symbols used for the equipment. Be sure that you understand their meaning before use.

-  · Read instruction manual.
-  · DOUBLE INSULATION
-  · To avoid injury from flying debris, keep holding the saw head down, after making cuts, until the blade has come to a complete stop.
-  · When performing slide cut, first pull carriage fully and press down handle, then push carriage toward the guide fence.
-  · Do not place hand or fingers close to the blade.
-  · Adjust sliding fences clear of blade and blade guard properly.
-  · Always remove SUB-FENCE R when performing right bevel cuts. Failure to do so may cause serious injury to operator.
-  · Never look into the laser beam. Direct laser beam may injure your eyes.
-  · Only for EU countries
- Do not dispose of electric equipment together with household waste material! In observance of European Directive 2002/96/EC on waste electric and

electronic equipment and its implementation in accordance with national law, electric equipment that have reached the end of their life must be collected separately and returned to an environmentally compatible recycling facility.

ENE006-1

## Intended use

The tool is intended for accurate straight and miter cutting in wood. With appropriate saw blades, aluminum can also be sawed.

ENF002-2

## Power supply

The tool should be connected only to a power supply of the same voltage as indicated on the nameplate, and can only be operated on single-phase AC supply. They are double-insulated and can, therefore, also be used from sockets without earth wire.

ENG905-1

## Noise

The typical A-weighted noise level determined according to EN61029:

- Sound pressure level ( $L_{pA}$ ) : 97 dB(A)
- Sound power level ( $L_{WA}$ ) : 103 dB(A)
- Uncertainty (K) : 3 dB(A)

## Wear ear protection

ENG900-1

## Vibration

The vibration total value (tri-axial vector sum) determined according to EN61029:



Vibration emission ( $a_h$ ) : 2.5 m/s<sup>2</sup> or less  
 Uncertainty (K) : 1.5 m/s<sup>2</sup>

ENG901-1

- The declared vibration emission value has been measured in accordance with the standard test method and may be used for comparing one tool with another.
- The declared vibration emission value may also be used in a preliminary assessment of exposure.

**⚠WARNING:**

- The vibration emission during actual use of the power tool can differ from the declared emission value depending on the ways in which the tool is used.
- Be sure to identify safety measures to protect the operator that are based on an estimation of exposure in the actual conditions of use (taking account of all parts of the operating cycle such as the times when the tool is switched off and when it is running idle in addition to the trigger time).

ENH003-13

**For European countries only**

**EC Declaration of Conformity**

**We Makita Corporation as the responsible manufacturer declare that the following Makita machine(s):**

Designation of Machine:

Slide Compound Miter Saw

Model No./ Type: LS1018, LS1018L

are of series production and

**Conforms to the following European Directives:**

2006/42/EC

And are manufactured in accordance with the following standards or standardised documents:

EN61029

The technical documentation is kept by our authorised representative in Europe who is:

Makita International Europe Ltd.

Michigan Drive, Tongwell,

Milton Keynes, Bucks MK15 8JD, England

6.11.2009



Tomoyasu Kato

Director

Makita Corporation

3-11-8, Sumiyoshi-cho,

Anjo, Aichi, 446-8502, JAPAN

000230

## General Power Tool Safety

### Warnings

**⚠ WARNING** Read all safety warnings and all instructions. Failure to follow the warnings and instructions may result in electric shock, fire and/or serious injury.

**Save all warnings and instructions for future reference.**

ENB034-6

## ADDITIONAL SAFETY RULES FOR TOOL

1. **Wear eye protection.**
2. **Keep hands out of path of saw blade. Avoid contact with any coasting blade. It can still cause severe injury.**
3. **Do not operate saw without guards in place. Check blade guard for proper closing before each use. Do not operate saw if blade guard does not move freely and close instantly. Never clamp or tie the blade guard into the open position.**
4. **Do not perform any operation freehand. The workpiece must be secured firmly against the turn base and guide fence with the vise during all operations. Never use your hand to secure the workpiece.**
5. **Never reach around saw blade.**
6. **Turn off tool and wait for saw blade to stop before moving workpiece or changing settings.**
7. **Unplug tool before changing blade or servicing.**
8. **Always secure all moving portions before carrying the tool.**
9. **Stopper pin which locks the cutter head down is for carrying and storage purposes only and not for any cutting operations.**
10. **Do not use the tool in the presence of flammable liquids or gases. The electrical operation of the tool could create an explosion and fire when exposed to flammable liquids or gases.**
11. **Check the blade carefully for cracks or damage before operation. Replace cracked or damaged blade immediately.**
12. **Use only flanges specified for this tool.**
13. **Be careful not to damage the arbor, flanges (especially the installing surface) or bolt. Damage to these parts could result in blade breakage.**
14. **Make sure that the turn base is properly secured so it will not move during operation.**
15. **For your safety, remove the chips, small pieces, etc. from the table top before**

- operation.
16. **Avoid cutting nails. Inspect for and remove all nails from the workpiece before operation.**
  17. **Make sure the shaft lock is released before the switch is turned on.**
  18. **Be sure that the blade does not contact the turn base in the lowest position.**
  19. **Hold the handle firmly. Be aware that the saw moves up or down slightly during start-up and stopping.**
  20. **Make sure the blade is not contacting the workpiece before the switch is turned on.**
  21. **Before using the tool on an actual workpiece, let it run for a while. Watch for vibration or wobbling that could indicate poor installation or a poorly balanced blade.**
  22. **Wait until the blade attains full speed before cutting.**
  23. **Stop operation immediately if you notice anything abnormal.**
  24. **Do not attempt to lock the trigger in the on position.**
  25. **Be alert at all times, especially during repetitive, monotonous operations. Do not be lulled into a false sense of security. Blades are extremely unforgiving.**
  26. **Always use accessories recommended in this manual. Use of improper accessories such as abrasive wheels may cause an injury.**
  27. **Do not use the saw to cut other than wood, aluminum or similar materials.**
  28. **Connect miter saws to a dust collecting device when sawing.**
  29. **Select saw blades in relation to the material to be cut.**
  30. **Take care when slotting.**
  31. **Replace the kerf board when worn.**
  32. **Do not use saw blades manufactured from high speed steel.**
  33. **Some dust created from operation contains chemicals known to cause cancer, birth defects or other reproductive harm. Some examples of these chemicals are:**
    - **lead from lead-based-painted material and,**
    - **arsenic and chromium from chemically-treated lumber.**

**Your risk from these exposures varies, depending on how often you do this type of work. To reduce your exposure to these chemicals: work in a well ventilated area and work with approved safety equipment, such as those dust masks that are specially designed to filter out microscopic particles.**
  34. **To reduce the emitted noise, always be sure that the blade is sharp and clean.**

35. **The operator is adequately trained in the use, adjustment and operation of the machine.**
36. **Use correctly sharpened saw blades. Observe the maximum speed marked on the saw blade.**
37. **Refrain from removing any cut-offs or other parts of the workpiece from the cutting area whilst the tool is running and the saw head is not in the rest position.**
38. **Use only saw blades recommended by the manufacturer which conform to EN847-1.**
39. **Wear gloves for handling saw blade (saw blades shall be carried in a holder wherever practicable) and rough material.**
40. **When fitted with laser, no exchange with different type of laser is permitted. Repairs shall only be carried out correctly.**

## SAVE THESE INSTRUCTIONS.

## INSTALLATION

### Bench mounting

#### Fig.1

When the tool is shipped, the handle is locked in the lowered position by the stopper pin. Release the stopper pin by simultaneously applying a slight downward pressure on the handle and pulling the stopper pin.

#### Fig.2

This tool should be bolted with four bolts to a level and stable surface using the bolt holes provided in the tool's base. This will help prevent tipping and possible injury.

## FUNCTIONAL DESCRIPTION

### **WARNING:**

- **Always be sure that the tool is switched off and unplugged before adjusting or checking function on the tool.** Failure to switch off and unplug the tool may result in serious personal injury from accidental start-up.

### Blade guard

#### Fig.3

When lowering the handle, the blade guard rises automatically. The blade guard returns to its original position when the cut is completed and the handle is raised.

### **WARNING:**

- **Never defeat or remove the blade guard or the spring which attaches to the guard.** An exposed blade as a result of defeated guarding may result in serious personal injury during operation.

In the interest of your personal safety, always maintain the blade guard in good condition. Any irregular operation of the blade guard should be corrected

immediately. Check to assure spring loaded return action of guard.

#### **⚠WARNING:**

- **Never use the tool if the blade guard or spring are damaged, faulty or removed.** Operation of the tool with a damaged, faulty or removed guard may result in serious personal injury.

If the see-through blade guard becomes dirty, or sawdust adheres to it in such a way that the blade and/or workpiece is no longer easily visible, unplug the saw and clean the guard carefully with a damp cloth. Do not use solvents or any petroleum-based cleaners on the plastic guard because this may cause damage to the guard.

If the blade guard becomes dirty and needs to be cleaned for proper operation follow the steps below:

With the tool switched off and unplugged, use the supplied socket wrench to loosen the hex bolt holding the center cover. Loosen the hex bolt by turning it counterclockwise and raise the blade guard and center cover.

#### **Fig.4**

With the blade guard so positioned, cleaning can be more completely and efficiently accomplished. When cleaning is complete reverse procedure above and secure bolt. Do not remove spring holding blade guard. If guard becomes damaged through age or UV light exposure, contact a Makita service center for a new guard. **DO NOT DEFEAT OR REMOVE GUARD.**

#### **Positioning kerf board**

#### **Fig.5**

#### **Fig.6**

This tool is provided with the kerf boards in the turn base to minimize tearing on the exit side of a cut. The kerf boards are factory adjusted so that the saw blade does not contact the kerf boards. Before use, adjust the kerf boards as follows:

First, unplug the tool. Loosen all the screws (3 each on left and right) securing the kerf boards. Re-tighten them only to the extent that the kerf boards can still be easily moved by hand. Lower the handle fully and push in the stopper pin to lock the handle in the lowered position. Loosen the screw which secures the slide poles. Pull the carriage toward you fully. Adjust the kerf boards so that the kerf boards just contact the sides of the blade teeth. Tighten the front screws (do not tighten firmly). Push the carriage toward the guide fence fully and adjust the kerf boards so that the kerf boards just contact the sides of blade teeth. Tighten the rear screws (do not tighten firmly).

After adjusting the kerf boards, release the stopper pin and raise the handle. Then tighten all the screws securely.

#### **NOTICE:**

- **After setting the bevel angle ensure that the kerf boards are adjusted properly.** Correct adjustment of the kerf boards will help provide proper support of the workpiece minimizing workpiece tear out.

#### **Maintaining maximum cutting capacity**

This tool is factory adjusted to provide the maximum cutting capacity for a 255 mm saw blade.

Unplug the tool before any adjustment is attempted. When installing a new blade, always check the lower limit position of the blade and if necessary, adjust it as follows:

#### **Fig.7**

#### **Fig.8**

First, unplug the tool. Push the carriage toward the guide fence fully and lower the handle completely. Use the hex wrench to turn the adjusting bolt until the periphery of the blade extends slightly below the top surface of the turn base at the point where the front face of the guide fence meets the top surface of the turn base.

With the tool unplugged, rotate the blade by hand while holding the handle all the way down to be sure that the blade does not contact any part of the lower base. Re-adjust slightly, if necessary.

#### **⚠WARNING:**

- **After installing a new blade and with the tool unplugged, always be sure that the blade does not contact any part of the lower base when the handle is lowered completely.** If a blade makes contact with the base it may cause kickback and result in serious personal injury.

#### **Stopper arm**

#### **Fig.9**

The lower limit position of the blade can be easily adjusted with the stopper arm. To adjust it, move the stopper arm in the direction of the arrow as shown in the figure. Adjust the adjusting screw so that the blade stops at the desired position when lowering the handle fully.

#### **Adjusting the miter angle**

#### **Fig.10**

Loosen the grip by turning counterclockwise. Turn the turn base while pressing down the lock lever. When you have moved the grip to the position where the pointer points to the desired angle on the miter scale, securely tighten the grip clockwise.

#### **⚠CAUTION:**

- After changing the miter angle, always secure the turn base by tightening the grip firmly.

#### **NOTICE:**

- When turning the turn base, be sure to raise the handle fully.

## Adjusting the bevel angle

### Fig.11

To adjust the bevel angle, loosen the lever at the rear of the tool counterclockwise. Unlock the arm by pushing the handle somewhat strongly in the direction that you intend to tilt the saw blade.

#### NOTE:

- Lever can be adjusted to a different lever angle by removing the screw holding the lever and securing the lever at a desired angle.

### Fig.12

Tilt the saw blade until the pointer points to the desired angle on the bevel scale. Then tighten the lever clockwise firmly to secure the arm.

### Fig.13

When tilting the carriage to the right, tilt the carriage to the left slightly after loosening the lever and press the releasing button. With the releasing button being pressed, tilt the carriage to the right.

### Fig.14

Tilt the saw blade until the pointer points to the desired angle on the bevel scale. Then tighten the lever clockwise firmly to secure the arm.

- When changing bevel angles, be sure to position the kerf boards appropriately as explained in the "Positioning kerf boards" section.

#### ⚠CAUTION:

- After changing the bevel angle, always secure the arm by tightening the lever clockwise.

#### NOTICE:

- When tilting the saw blade be sure the handle is fully raised.
- When changing bevel angles, be sure to position the kerf boards appropriately as explained in the "Positioning kerf boards" section.

## Slide lock adjustment

### Fig.15

To lock the slide pole, turn the locking screw clockwise.

## Switch action

### For European countries

### Fig.16

To prevent the switch trigger from being accidentally pulled, a lock-off button is provided. To start the tool, push the lever to the left, press in the lock-off button and then pull the switch trigger. Release the switch trigger to stop.

#### ⚠WARNING:

- **Before plugging in the tool, always check to see that the switch trigger actuates properly and returns to the "OFF" position when released. Do not pull the switch trigger hard without pressing in the lock-off button. This**

**can cause switch breakage.** Operating a tool with a switch that does not actuate properly can lead to loss of control and serious personal injury.

A hole is provided in the switch trigger for insertion of padlock to lock the tool off.

### For all countries other than European countries

### Fig.17

To prevent the switch trigger from being accidentally pulled, a lock-off button is provided. To start the tool, press in the lock-off button and pull the switch trigger. Release the switch trigger to stop.

#### ⚠WARNING:

- **Before plugging in the tool, always check to see that the switch trigger actuates properly and returns to the "OFF" position when released. Do not pull the switch trigger hard without pressing in the lock-off button. This can cause switch breakage.** Operating a tool with a switch that does not actuate properly can lead to loss of control and serious personal injury.

A hole is provided in the switch trigger for insertion of padlock to lock the tool off.

#### ⚠WARNING:

- **Do not use a lock with a shank or cable any smaller than 6.35 mm in diameter.** A smaller shank or cable may not properly lock the tool in the off position and unintentional operation may occur resulting in serious personal injury.
- **NEVER use tool without a fully operative switch trigger.** Any tool with an inoperative switch is HIGHLY DANGEROUS and must be repaired before further usage or serious personal injury may occur.
- For your safety, this tool is equipped with a lock-off button which prevents the tool from unintended starting. NEVER use the tool if it runs when you simply pull the switch trigger without pressing the lock-off button. A switch in need of repair may result in unintentional operation and serious personal injury. Return tool to a Makita service center for proper repairs BEFORE further usage.
- NEVER defeat the lock-off button by taping down or some other means. A switch with a defeated lock-off button may result in unintentional operation and serious personal injury.

## Electronic function

### Soft start feature

- This function allows the smooth start-up of the tool by limiting the start-up torque.

## Laser beam action

### For model LS1018L only

#### NOTE:

- Before the first use, install two AA dry cells in the cell box. Refer to the section titled "Replacing the dry cells for laser unit" for the installation.

#### ⚠CAUTION:

- When not in use, be sure to turn off the laser

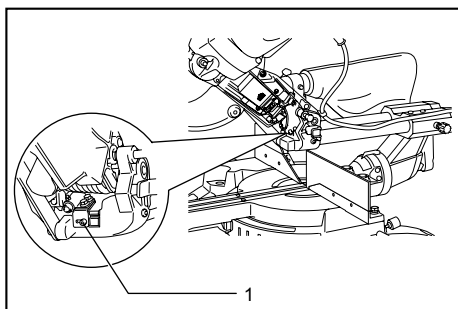
#### Fig.18

#### ⚠CAUTION:

- Never look into the laser beam. Direct laser beam may injure your eyes.
- LASER RADIATION, DO NOT STARE INTO THE BEAM, CLASS 2 LASER PRODUCT.
- Before shifting the laser line or performing maintenance adjustment, be sure to unplug the tool.

To turn on the laser beam, press the upper position (I) of the switch. To turn off the laser beam, press the lower position (O) of the switch.

Laser line can be shifted to either the left or right side of the saw blade by loosening the screw holding the laser unit box and shifting it in the desired direction. After shifting, be sure to tighten the screw.



1. Screw holding the laser unit box

010473

Laser line is factory adjusted so that it is positioned within 1 mm from the side surface of the blade (cutting position).

#### NOTE:

- When laser line appears dim and hard to see because of direct sunlight, relocate the work area to a place where there is less direct sunlight.

## Replacing the dry cells for laser unit

#### Fig.19

#### Fig.20

Remove the lid for the dry cells for laser unit by sliding while pressing it. Take out the old dry cells and put the new ones as shown in the figure. After replacing, return the lid to cover it.

## Cleaning of the lens for the laser light

If the lens for the laser light becomes dirty, or sawdust adheres to it in such a way that the laser line is no longer easily visible, unplug the saw and remove and clean the lens for the laser light carefully with a damp, soft cloth. Do not use solvents or any petroleum-based cleaners on the lens.

#### NOTE:

- When laser line is dim and almost or entirely invisible because of the direct sunlight in the indoor or outdoor window-by work, relocate the work area to a place not exposed to the direct sunlight.

## ASSEMBLY

#### ⚠WARNING:

- **Always be sure that the tool is switched off and unplugged before working on the tool.** Failure to switch off and unplug the tool may result in serious personal injury.

## Storage of socket wrench with hex wrench on its other end

#### Fig.21

The socket wrench is stored as shown in the figure. When the socket wrench is needed it can be pulled out of the wrench holder. After using the socket wrench it can be stored by returning it to the wrench holder.

## Installing or removing saw blade

#### ⚠WARNING:

- **Always be sure that the tool is switched off and unplugged before installing or removing the blade.** Accidental start up of the tool may result in serious personal injury.
- **Use only the Makita socket wrench provided to install or remove the blade.** Failure to use the wrench may result in overtightening or insufficient tightening of the hex bolt and serious personal injury.

#### Fig.22

Lock the handle in the raised position by pushing in the stopper pin.

#### Fig.23

To remove the blade, use the socket wrench to loosen the hex bolt holding the center cover by turning it counterclockwise. Raise the blade guard and center cover.

#### Fig.24

Press the shaft lock to lock the spindle and use the socket wrench to loosen the hex bolt clockwise. Then remove the hex bolt, outer flange and blade.

#### NOTE:

- If the inner flange is removed be sure to install it on the spindle with its protrusion facing away from the blade. If the flange is installed incorrectly the flange will rub against the machine.

#### ⚠WARNING:

- **Before mounting the blade onto the spindle, always be sure that the correct ring for the blade's arbor hole you intend to use is installed between the inner and the outer flanges.** Use of the incorrect arbor hole ring may result in the improper mounting of the blade causing blade movement and severe vibration resulting in possible loss of control during operation and in serious personal injury.

#### Fig.25

To install the blade, mount it carefully onto the spindle, making sure that the direction of the arrow on the surface of the blade matches the direction of the arrow on the blade case.

Install the outer flange and hex bolt, and then use the socket wrench to tighten the hex bolt (left-handed) securely counterclockwise while pressing the shaft lock.

**For all countries other than European countries**

#### Fig.26

#### ⚠WARNING:

- The black ring 25 mm in outer diameter and the silver ring 25.4 mm in outer diameter are factory-installed as shown in the figure. When using a blade with 25 mm hole diameter, replace the silver ring with the black ring. **Before mounting the blade onto the spindle, always be sure that the correct ring for the blade's arbor hole you intend to use is installed between the inner and the outer flanges.** Use of the incorrect arbor hole ring may result in the improper mounting of the blade causing blade movement and severe vibration resulting in possible loss of control during operation and in serious personal injury.

**For European countries**

#### ⚠CAUTION:

- The ring 30 mm in outer diameter is factory-installed between the inner and outer flanges.

Install the outer flange and hex bolt, and then use the socket wrench to tighten the hex bolt securely counterclockwise while pressing the shaft lock.

#### Fig.27

Return the blade guard and center cover to its original position. Then tighten the hex bolt clockwise to secure the center cover. Release the handle from the raised position by pulling the stopper pin. Lower the handle to make sure that the blade guard moves properly. Make sure the shaft lock has released spindle before making cut.

#### Dust bag (accessory)

#### Fig.28

The use of the dust bag makes cutting operations cleaner and dust collection easier. To attach the dust bag, fit it onto the dust nozzle.

When the dust bag is about half full, remove the dust bag from the tool and pull the fastener out. Empty the dust bag of its contents, tapping it lightly so as to remove particles adhering to the insides which might hamper further collection.

#### NOTE:

If you connect a vacuum cleaner to your saw, cleaner operations can be performed.

#### Securing workpiece

#### ⚠WARNING:

- **It is extremely important to always secure the workpiece correctly with the proper type of vise or crown molding stoppers.** Failure to do so may result in serious personal injury and cause damage to the tool and/or the workpiece.
- **After a cutting operation do not raise the blade until it has come to a complete stop.** The raising of a coasting blade may result in serious personal injury and damage to the workpiece.
- **When cutting a workpiece that is longer than the support base of the saw, the material should be supported the entire length beyond the support base and at the same height to keep the material level.** Proper workpiece support will help avoid blade pinch and possible kickback which may result in serious personal injury. Do not rely solely on the vertical vise and/or horizontal vise to secure the workpiece. Thin material tends to sag. Support workpiece over its entire length to avoid blade pinch and possible KICKBACK.

#### Fig.29

#### Guide fence (SLIDING FENCES which are upper and lower fences) adjustment

#### Fig.30

#### ⚠WARNING:

- Before operating the tool, make sure that the sliding fence is secured firmly.
- **Before bevel-cutting, make sure that no part of the tool, especially the blade, contacts the upper and lower fences when fully lowering and raising the handle in any position and while moving the carriage through its full range of travel.** If the tool or blade makes contact with the fence this may result in kickback or unexpected movement of the material and serious personal injury.

**Fig.31**

**⚠CAUTION:**

- When performing bevel cuts, slide the sliding fence to the left and secure it as shown in the figure. Otherwise, it will contact the blade or a part of the tool, causing possible serious injury to the operator.

This tool is equipped with the sliding fence which should ordinarily be positioned as shown in the figure.

However, when performing left bevel cuts, set it to the left position as shown in the figure if the tool head contacts it. When bevel-cutting operations are complete, don't forget to return the sliding fence to the original position and secure it by firmly tightening the clamping screw.

**Sub-fence R**

**⚠WARNING:**

- Before operating the tool, make sure that the sub-fence R is secured firmly.
- Before performing right bevel cuts, remove the sub-fence R. It will contact the blade or a part of the tool, causing possible serious injury to the operator.

**Fig.32**

The sub-fence R can be removed from the right side of the guide fence. To remove the sub-fence R, loosen the screw which secures the sub-fence R and pull it out. Follow the removal procedure in reverse to install it.

When bevel-cutting operations are complete, don't forget to return the sub-fence R to the original position and secure it by firmly tightening the clamping screw.

**Vertical vise**

**Fig.33**

The vertical vise can be installed on either the left or right side of the guide fence. Insert the vise rod into the hole in the guide fence and tighten the screw on the back of the guide fence to secure the vise rod.

Position the vise arm according to the thickness and shape of the workpiece and secure the vise arm by tightening the screw. If the screw to secure the vise arm contacts the guide fence, install the screw on the opposite side of vise arm. Make sure that no part of the tool contacts the vise when lowering the handle fully and pulling or pushing the carriage all the way. If some part contacts the vise, re-position the vise.

Press the workpiece flat against the guide fence and the turn base. Position the workpiece at the desired cutting position and secure it firmly by tightening the vise knob.

**⚠WARNING:**

- **The workpiece must be secured firmly against the turn base and guide fence with the vise during all operations.** If the workpiece is not properly secured against the fence the material may move during the cutting operation causing possible damage to the blade, causing the material

to be thrown and loss of control resulting in serious personal injury.

**Horizontal vise (optional accessory)**

**Fig.34**

The horizontal vise can be installed in two positions on either the left or right side of the base. When performing 10° or greater miter cuts, install the horizontal vise on the side opposite the direction in which the turn base is to be turned.

**Fig.35**

By flipping the vise nut counterclockwise, the vise is released, and rapidly moves in and out. To grip the workpiece, push the vise knob forward until the vise plate contacts the workpiece and flip the vise nut clockwise. Then turn the vise knob clockwise to secure the workpiece.

The maximum width of workpiece which can be secured by the horizontal vise is 215 mm.

When installing the horizontal vise on the right side of the base, also use the sub-fence R to secure the workpiece more firmly. Refer to the "Sub-fence R" section described on previously for installing the sub-fence R.

**⚠WARNING:**

- **Always rotate the vise nut clockwise until the workpiece is properly secured.** If the workpiece is not properly secured the material may move during the cutting operation causing possible damage to the blade, causing the material to be thrown and loss of control resulting in serious personal injury.
- When cutting a thin workpiece, such as base boards, against the fence, always use the horizontal vise.

**Holders**

**Fig.36**

The holders can be installed on either side as a convenient means of holding workpieces horizontally. Slip fully the holder rods into the holes in the base. Then tighten the holders securely with the screws.

**⚠WARNING:**

- **Always support a long workpiece so it is level with the top surface of the turn base for an accurate cut and to prevent dangerous loss of tool control.** Proper workpiece support will help avoid blade pinch and possible kickback which may result in serious personal injury.

**OPERATION**

**NOTICE:**

- Before use, be sure to release the handle from the lowered position by pulling the stopper pin.
- Do not apply excessive pressure on the handle when cutting. Too much force may result in overload of the motor and/or decreased cutting

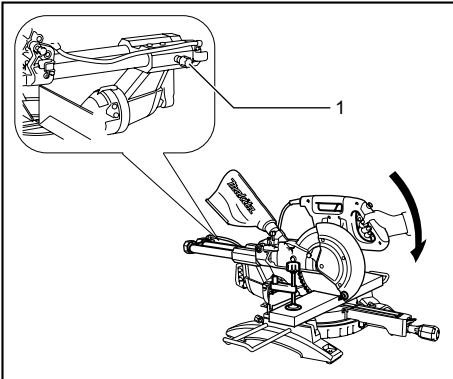
efficiency. Push down handle with only as much force as is necessary for smooth cutting and without significant decrease in blade speed.

- Gently press down the handle to perform the cut. If the handle is pressed down with force or if lateral force is applied, the blade will vibrate and leave a mark (saw mark) in the workpiece and the precision of the cut will be impaired.
- During a slide cut, gently push the carriage toward the guide fence without stopping. If the carriage movement is stopped during the cut, a mark will be left in the workpiece and the precision of the cut will be impaired.

**⚠WARNING:**

- **Make sure the blade is not contacting the workpiece, etc. before the switch is turned on.** Turning the tool on with the blade in contact with the workpiece may result in kickback and serious personal injury.

**1. Press cutting (cutting small workpieces)**



1. Locking screw  
011409

Workpieces up to 91 mm high and 70 mm wide can be cut in the following manner.

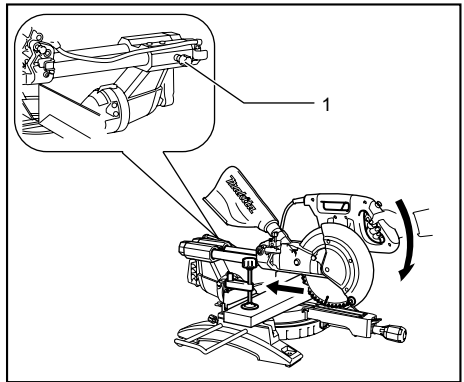
Push the carriage toward the guide fence fully and tighten the locking screw clockwise to secure the carriage. Secure the workpiece correctly with the proper type of vise. Switch on the tool without the blade making any contact and wait until the blade attains full speed before lowering. Then gently lower the handle to the fully lowered position to cut the workpiece. When the cut is completed, switch off the tool and **WAIT UNTIL THE BLADE HAS COME TO A COMPLETE STOP** before returning the blade to its fully elevated position.

**⚠WARNING:**

- **Firmly tighten the knob clockwise so that the carriage will not move during operation.** Insufficient tightening of the knob may cause

possible kickback which may result in serious personal injury.

**2. Slide (push) cutting (cutting wide workpieces)**



1. Locking screw  
011410

Loosen the locking screw counterclockwise so that the carriage can slide freely. Secure the workpiece with the proper type of vise. Pull the carriage toward you fully. Switch on the tool without the blade making any contact and wait until the blade attains full speed. Press the handle down and **PUSH THE CARRIAGE TOWARD THE GUIDE FENCE AND THROUGH THE WORKPIECE.** When the cut is completed, switch off the tool and **WAIT UNTIL THE BLADE HAS COME TO A COMPLETE STOP** before returning the blade to its fully elevated position.

**⚠WARNING:**

- **Whenever performing a slide cut, first pull the carriage full towards you and press the handle all the way down, then push the carriage toward the guide fence. Never start the cut with the carriage not pulled fully toward you.** If you perform the slide cut without the carriage pulled fully toward you unexpected kickback may occur and serious personal injury may result.
- **Never attempt to perform a slide cut by pulling the carriage towards you.** Pulling the carriage towards you while cutting may cause unexpected kickback resulting in possible serious personal injury.
- Never perform the slide cut with the handle locked in the lowered position.
- **Never loosen the locking screw which secures the carriage while the blade is rotating.** A loose carriage while cutting may cause unexpected kickback resulting in possible in serious personal injury.



### 3. Miter cutting

Refer to the previously covered "Adjusting the miter angle".

### 4. Bevel cut

Fig.37

Loosen the lever and tilt the saw blade to set the bevel angle (Refer to the previously covered "Adjusting the bevel angle"). Be sure to retighten the lever firmly to secure the selected bevel angle safely. Secure the workpiece with a vise. Make sure the carriage is pulled all the way back toward the operator. Switch on the tool without the blade making any contact and wait until the blade attains full speed. Then gently lower the handle to the fully lowered position while applying pressure in parallel with the blade and PUSH THE CARRIAGE TOWARD THE GUIDE FENCE TO CUT THE WORKPIECE. When the cut is completed, switch off the tool and WAIT UNTIL THE BLADE HAS COME TO A COMPLETE STOP before returning the blade to its fully elevated position.

#### ⚠WARNING:

- **After setting the blade for a bevel cut, before operating the tool ensure that the carriage and blade will have free travel throughout the entire range of the intended cut.** Interruption of the carriage or blade travel during the cutting operation may result in kickback and serious personal injury.
- **While making a bevel cut keep hands out of the path of the blade.** The angle of the blade may confuse the operator as to the actual blade path while cutting and contact with the blade will result in serious personal injury.
- **The blade should not be raised until it has come to a complete stop.** During a bevel cut the piece cut off may come to rest against the blade. If the blade is raised while it is rotating the cut-off piece maybe ejected by the blade causing the material to fragment which may result in serious personal injury.

#### NOTICE:

- When pressing down the handle, apply pressure in parallel with the blade. If a force is applied perpendicularly to the turn base or if the pressure direction is changed during a cut, the precision of the cut will be impaired.
- Before bevel-cutting, an adjustment of the upper fence and lower fence maybe required. Refer to the section titled "Guide fence adjustment".

#### ⚠CAUTION:

- Always remove the sub-fence R so that it does not interfere any part of the carriage when performing right bevel cuts.

### 5. Compound cutting

Compound cutting is the process in which a bevel angle is made at the same time in which a miter angle is being cut on a workpiece. Compound cutting can be performed at the angle shown in the table.

Miter angle	Bevel angle
Left and Right 0° - 45°	Left and Right 0° - 45°

009713

When performing compound cutting, refer to "Press cutting", "Slide cutting", "Miter cutting" and "Bevel cut" explanations.

### 6. Cutting crown and cove moldings

Crown and cove moldings can be cut on a compound miter saw with the moldings laid flat on the turn base.

There are two common types of crown moldings and one type of cove moldings; 52/38° wall angle crown molding, 45° wall angle crown molding and 45° wall angle cove molding. See illustrations.

Fig.38

There are two crown and cove molding joints which are made to fit "Inside" 90° corners ((1) and (2) in Fig. A) and "Outside" 90° corners ((3) and (4) in Fig. A).

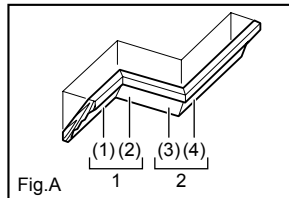


Fig.A

001556

Fig.39

#### Measuring

Measure the wall length and adjust workpiece on table to cut wall contact edge to desired length. Always make sure that cut workpiece length **at the back of the workpiece** is the same as wall length. Adjust cut length for angle of cut. Always use several pieces for test cuts to check the saw angles.

When cutting crown and cove moldings, set the bevel angle and miter angle as indicated in the table (A) and position the moldings on the top surface of the saw base as indicated in the table (B).

## In the case of left bevel cut

Table (A)

	Molding position in Fig. A	Bevel angle		Miter angle	
		52/38° type	45° type	52/38° type	45° type
For inside corner	(1)	Left 33.9°	Left 30°	Right 31.6°	Right 35.3°
	(2)			Left 31.6°	Left 35.3°
For outside corner	(3)				
	(4)			Right 31.6°	Right 35.3°

006361

Table (B)

	Molding position in Fig. A	Molding edge against guide fence	Finished piece
For inside corner	(1)	Ceiling contact edge should be against guide fence.	Finished piece will be on the Left side of blade.
	(2)	Wall contact edge should be against guide fence.	
For outside corner	(3)	Ceiling contact edge should be against guide fence.	Finished piece will be on the Right side of blade.
	(4)	Wall contact edge should be against guide fence.	

006362

### Example:

In the case of cutting 52/38° type crown molding for position (1) in Fig. A:

- Tilt and secure bevel angle setting to 33.9° LEFT.
- Adjust and secure miter angle setting to 31.6° RIGHT.
- Lay crown molding with its broad back (hidden) surface down on the turn base with its CEILING CONTACT EDGE against the guide fence on the saw.
- The finished piece to be used will always be on the LEFT side of the blade after the cut has been made.

## In the case of right bevel cut

Table (A)

	Molding position in Fig. A	Bevel angle		Miter angle	
		52/38° type	45° type	52/38° type	45° type
For inside corner	(1)	Right 33.9°	Right 30°	Right 31.6°	Right 35.3°
	(2)			Left 31.6°	Left 35.3°
For outside corner	(3)				
	(4)			Right 31.6°	Right 35.3°

006363

Table (B)

	Molding position in Fig. A	Molding edge against guide fence	Finished piece
For inside corner	(1)	Wall contact edge should be against guide fence.	Finished piece will be on the Right side of blade.
	(2)	Ceiling contact edge should be against guide fence.	
For outside corner	(3)	Wall contact edge should be against guide fence.	Finished piece will be on the Left side of blade.
	(4)	Ceiling contact edge should be against guide fence.	

006364

### Example:

In the case of cutting 52/38° type crown molding for position (1) in Fig. A:

- Tilt and secure bevel angle setting to 33.9° RIGHT.
- Adjust and secure miter angle setting to 31.6° RIGHT.
- Lay crown molding with its broad back (hidden) surface down on the turn base with its WALL CONTACT EDGE against the guide fence on the saw.
- The finished piece to be used will always be on the RIGHT side of the blade after the cut has been made.

## 7. Cutting aluminum extrusion

### Fig.40

### Fig.41

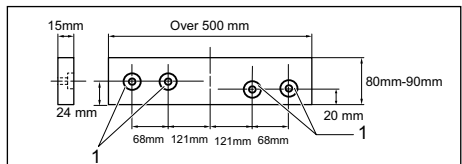
When securing aluminum extrusions, use spacer blocks or pieces of scrap as shown in the figure to prevent deformation of the aluminum. Use a cutting lubricant when cutting the aluminum extrusion to prevent build-up of the aluminum material on the blade.

### ⚠WARNING:

- **Never attempt to cut thick or round aluminum extrusions.** Thick or round aluminum extrusions can be difficult to secure and may work loose during the cutting operation which may result in loss of control and serious personal injury.

## 8. Wood facing

Use of wood facing helps to assure splinter-free cuts in workpieces. Attach a wood facing to the guide fence using the holes in the guide fence. See the figure concerning the dimensions for a suggested wood facing.



### 1. Holes

010563

### ⚠CAUTION:

- Use straight wood of even thickness as the wood facing.

### ⚠WARNING:

- **Use screws to attach the wood facing to the guide fence. The screws should be installed so that the screw heads are below the surface of the wood facing so that they will not interfere with the positioning of the material**

**being cut.** Misalignment of the material being cut can cause unexpected movement during the cutting operation which may result in a loss of control and serious personal injury.

**NOTICE:**

- When the wood facing is attached, do not turn the turn base with the handle lowered. The blade and/or the wood facing will be damaged.

**9. Groove cutting**

**Fig.42**

A dado type cut can be made by proceeding as follows:

Adjust the lower limit position of the blade using the adjusting screw and the stopper arm to limit the cutting depth of the blade. Refer to "Stopper arm" section described previously.

After adjusting the lower limit position of the blade, cut parallel grooves across the width of the workpiece using a slide (push) cut as shown in the figure. Then remove the workpiece material between the grooves with a chisel.

**⚠WARNING:**

- **Do not attempt to perform this type of cut by using a wider type blade or dado blade.** Attempting to make a groove cut with a wider blade or dado blade could lead to unexpected cutting results and kickback which may result in serious personal injury
- **Be sure to return the stopper arm to the original position when performing other than groove cutting.** Attempting to make cuts with the stopper arm in the incorrect position could lead to unexpected cutting results and kickback which may result in serious personal injury.

**⚠CAUTION:**

- Be sure to return the stopper arm to the original position when performing other than groove cutting.

**Carrying tool**

**Fig.43**

Make sure that the tool is unplugged. Secure the blade at 0° bevel angle and the turn base at the full right miter angle position. Secure the slide poles so that the lower slide pole is locked in the position of the carriage fully pulled to operator and the upper poles are locked in the position of the carriage fully pushed forward to the guide fence (refer to the section titled "Slide lock adjustment".) Lower the handle fully and lock it in the lowered position by pushing in the stopper pin.

Wind the power supply cord using the cord rests.

**⚠WARNING:**

- **Stopper pin is only for carrying and storage purposes and should never be used for any cutting operations.** The use of the stopper pin for cutting operations may cause unexpected

movement of the saw blade resulting in kickback and serious personal injury.

Carry the tool by holding both sides of the tool base as shown in the figure. If you remove the holders, dust bag, etc., you can carry the tool more easily.

**⚠CAUTION:**

- Always secure all moving portions before carrying the tool. If portions of the tool move or slide while being carried loss of control or balance may occur resulting in personal injury.

**MAINTENANCE**

**⚠WARNING:**

- **Always be sure that the tool is switched off and unplugged before attempting to perform inspection or maintenance.** Failure to unplug and switch off the tool may result in accidental start up of the tool which may result in serious personal injury.
- **Always be sure that the blade is sharp and clean for the best and safest performance.** Attempting a cut with a dull and /or dirty blade may cause kickback and result in a serious personal injury.

**NOTICE:**

- Never use gasoline, benzine, thinner, alcohol or the like. Discoloration, deformation or cracks may result.

**Adjusting the cutting angle**

This tool is carefully adjusted and aligned at the factory, but rough handling may have affected the alignment. If your tool is not aligned properly, perform the following:

**1. Miter angle**

**Fig.44**

Push the carriage toward the guide fence and tighten the locking screw to secure the carriage. Loosen the grip which secures the turn base. Turn the turn base so that the pointer points to 0° on the miter scale. Then turn the turn base slightly clockwise and counterclockwise to seat the turn base in the 0° miter notch. (Leave as it is if the pointer does not point to 0°.) Loosen the hex socket bolts securing the guide fence using the socket wrench.

**Fig.45**

Lower the handle fully and lock it in the lowered position by pushing in the stopper pin. Square the side of the blade with the face of the guide fence using a triangular rule, try-square, etc. Then securely tighten the hex socket bolts on the guide fence in order starting from the right side.

**Fig.46**

Make sure that the pointer points to 0° on the miter scale. If the pointer does not point to 0°, loosen the

screw which secures the pointer and adjust the pointer so that it will point to 0°.

## 2. Bevel angle

- (1) 0° bevel angle

**Fig.47**

Push the carriage toward the guide fence and tighten the locking screw to secure the carriage. Lower the handle fully and lock it in the lowered position by pushing in the stopper pin. Loosen the lever at the rear of the tool.

**Fig.48**

Turn the hex bolt on the right side of the arm two or three revolutions counterclockwise to tilt the blade to the right.

**Fig.49**

Carefully square the side of the blade with the top surface of the turn base using the triangular rule, try-square, etc. by turning the hex bolt on the right side of the arm clockwise. Then tighten the lever securely.

**Fig.50**

Make sure that the pointer on the arm point to 0° on the bevel scale on the arm holder. If they do not point to 0°, loosen the screw which secure the pointer and adjust it so that it will point to 0°.

- (2) 45° bevel angle

**Fig.51**

Adjust the 45° bevel angle only after performing 0° bevel angle adjustment. To adjust left 45° bevel angle, loosen the lever and tilt the blade to the left fully. Make sure that the pointer on the arm points to 45° on the bevel scale on the arm holder. If the pointer does not point to 45°, turn the 45° bevel angle adjusting bolt on the right side of the arm holder until the pointer points to 45°. To adjust the right 45° bevel angle, perform the same procedure as that described above.

**Fig.52**

Remove and check the carbon brushes regularly. Replace when they wear down to 3 mm in length. Keep the carbon brushes clean and free to slip in the holders. Both carbon brushes should be replaced at the same time. Use only identical carbon brushes.

**Fig.53**

Use a screwdriver to remove the brush holder caps. Take out the worn carbon brushes, insert the new ones and secure the brush holder caps.

### After use

- After use, wipe off chips and dust adhering to the tool with a cloth or the like. Keep the blade guard clean according to the directions in the previously

covered section titled "Blade guard". Lubricate the sliding portions with machine oil to prevent rust.

- When storing the tool, pull the carriage toward you fully.

To maintain product SAFETY and RELIABILITY, repairs, any other maintenance or adjustment should be performed by Makita Authorized Service Centers, always using Makita replacement parts.

## OPTIONAL ACCESSORIES

### **⚠WARNING:**

- **These Makita accessories or attachments are recommended for use with your Makita tool specified in this manual.** The use of any other accessories or attachments may result in serious personal injury.
- **Only use the Makita accessory or attachment for its stated purpose.** Misuse of an accessory or attachment may result in serious personal injury.

If you need any assistance for more details regarding these accessories, ask your local Makita Service Center.

- Steel & Carbide-tipped saw blades

Miter saw blades	For smooth and precise cutting in various materials.
Combination	General purpose blade for fast and smooth rip, crosscuts and miters.
Crosscutting	For smoother cross grain cuts. Slices cleanly against the grain.
Fine cross cuts	For sand-free cuts cleanly against the grain.
Non-ferrous metals miter saw blades	For miters in aluminum, copper, brass, tubing, and other non-ferrous metals.

006526

- Sub-fence R
- Vise assembly (Horizontal vise)
- Vertical vise
- Socket wrench with hex wrench on its other end
- Holder
- Dust bag
- Elbow
- Triangular rule

### **NOTE:**

- Some items in the list may be included in the tool package as standard accessories. They may differ from country to country.

## УКРАЇНЬСЬКА (Оригінальні інструкції)

### Пояснення до загального виду

- |   |   |  |
|---|---|--|
| 1-1. Стопорна шпилька   | 21-2. Тримач ключа                          | 38-1. Галтель з хвилеподібним профілем типу 52/38 °    |
| 2-1. Болти  | 22-1. Стопорна шпилька                      | 38-2. Галтель з хвилеподібним профілем типу 45 °       |
| 3-1. Кожух полотна  | 23-1. Торцевий ключ                         | 38-3. Галтель з увігнутим профілем типу 45 °           |
| 4-1. Кожух полотна  | 23-2. Корпус диску                          | 39-1. Внутрішній кут                                   |
| 5-1. Гвинт  | 23-3. Центральна кришка                     | 39-2. Зовнішній кут                                    |
| 5-2. Щиток з пропилом   | 23-4. Болт із шестигранною голівкою         | 40-1. Напрямна планка                                  |
| 6-1. Диск пили  | 23-5. Кожух полотна                         | 40-2. Лещата   |
| 6-2. Зуб'я диску  | 24-1. Корпус диску                          | 40-3. Розділювальний блок                              |
| 6-3. Щиток з пропилом   | 24-2. Торцевий ключ                         | 40-4. Алюмінієвий профіль                              |
| 6-4. Різання з лівим нахилом                                      | 24-3. Болт із шестигранною голівкою         | 40-5. Розділювальний блок                              |
| 6-5. Пряме різання  | 24-4. Стрілка                               | 41-1. Алюмінієвий профіль                              |
| 6-6. Різання з правим нахилом                                     | 24-5. Фіксатор                              | 41-2. Напрямна планка                                  |
| 7-1. Болт регулювання   | 25-1. Корпус диску                          | 41-3. Розділювальний блок                              |
| 7-2. Поворотна основа   | 25-2. Стрілка                               | 41-4. Горизонтальний затиск (додаткова приналежність ) |
| 8-1. Верхня поверхня поворотної основи                            | 25-3. Стрілка                               | 42-1. Прорізання пазів диском                          |
| 8-2. Контур диску   | 25-4. Диск пили                             | 44-1. Болт із шестигранною голівкою                    |
| 8-3. Напрямна планка  | 26-1. Болт із шестигранною голівкою (лівий) | 44-2. Напрямна планка                                  |
| 9-1. Стопорне плече   | 26-2. Зовнішній фланець                     | 44-3. Затиск   |
| 9-2. Гвинт регулювання  | 26-3. Диск пили                             | 45-1. Напрямна планка                                  |
| 10-1. Шкала косоного кута   | 26-4. Кільце                                | 45-2. Трикутна лінійка                                 |
| 10-2. Показчик  | 26-5. Внутрішній фланець                    | 46-1. Гвинт  |
| 10-3. Стопорний важіль  | 26-6. Шпindelь                              | 46-2. Показчик   |
| 10-4. Затиск  | 27-1. Торцевий ключ                         | 46-3. Шкала косоного кута                              |
| 11-1. Важіль  | 27-2. Корпус диску                          | 47-1. Важіль   |
| 12-1. Важіль  | 27-3. Центральна кришка                     | 47-2. Плече  |
| 12-2. Плече   | 27-4. Болт із шестигранною голівкою         | 48-1. Болт регулювання 0 °                             |
| 12-3. Показчик  | 27-5. Кожух полотна                         | 48-2. Болт регулювання кута лівого нахилу 45 °         |
| 12-4. Кутова шкала  | 28-1. Штуцер для пилу                       | 49-1. Трикутна лінійка                                 |
| 13-1. Важіль  | 28-2. Мішок для пилу                        | 49-2. Диск пили  |
| 14-1. Показчик  | 28-3. Кріплення                             | 49-3. Верхня поверхня поворотного столу                |
| 14-2. Кнопка розблокування  | 29-1. Опора                                 | 50-1. Гвинт  |
| 14-3. Кутова шкала  | 29-2. Поворотна основа                      | 50-2. Показчик   |
| 15-1. Стопорний гвинт   | 30-1. Планка для пересування                | 50-3. Кутова шкала                                     |
| 16-1. Кнопка блокування вимкненого положення                      | 30-2. Затискний гвинт                       | 51-1. Болт регулювання кута правого нахилу 45 °        |
| 16-2. Кнопка вимикача   | 31-1. Планка для пересування                | 51-2. Болт регулювання кута лівого нахилу 45 °         |
| 16-3. Важіль  | 32-1. Напрямна підпора R                    | 53-1. Вікрутка   |
| 16-4. Отвір для замку   | 32-2. Гвинти                                | 53-2. Ковпачок щіткотримача                            |
| 17-1. Кнопка блокування вимкненого положення                      | 33-1. Затискне плече                        |  |
| 17-2. Кнопка вимикача   | 33-2. Затискна ручка                        |  |
| 17-3. Отвір для замку   | 33-3. Затискний штифт                       |  |
| 18-1. Вимикач лазера  | 33-4. Гвинт                                 |  |
| 20-1. Сухий елемент   | 33-5. Напрямна планка                       |  |
| 21-1. Торцевий гайковий ключ з шестигранним ключем з іншого кінця | 34-1. Затискна пластина                     |  |
|   | 34-2. Затискна гайка                        |  |
|   | 34-3. Затискна ручка                        |  |
|   | 36-1. Тримач                                |  |

# ТЕХНІЧНІ ХАРАКТЕРИСТИКИ

Модель	LS1018 / LS1018L
Діаметр диску	255 мм - 260 мм
Товщина диска	1,6 мм - 2,4 мм
Діаметр отвору	
Для всіх країн крім Європейських	25,4 мм
Для Європейських країн	30 мм
Макс. ріжуча спроможність (В х Ш) з діаметром 260 мм	

Косий кут	Кут нахилу		
	45° (лівий)	0°	45° (правий)
0°	50 мм x 310 мм	91 мм x 310 мм	31 мм x 310 мм
45°	50 мм x 220 мм	91 мм x 220 мм	31 мм x 220 мм
60° (правий)	-	91 мм x 153 мм	-




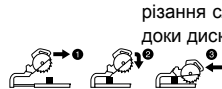



Швидкість холостого ходу (хв. <sup>-1</sup> )	4300
Тип лазера (тільки LS1018L)	Червоний лазер 650 нм, < менш 1мВт (Клас лазера 2 )
Розміри (Д x Ш x В)	825 мм x 536 мм x 633 мм
Чиста вага	Для всіх країн крім Європейських.....19,8 кг Для Європейських країн.....19,9 кг
Клас безпеки	II

- Через те, що ми не припиняємо програми досліджень і розвитку, наведені тут технічні характеристики можуть бути змінні без попередження.
- У різних країнах технічні характеристики можуть бути різними.
- Вага відповідно до EPTA-Procedure 01/2003

END222-1

## Символи

Далі наведені символи, які застосовуються для позначення обладнання. Перед користуванням переконайтеся, що Ви розумієте їхнє значення.

-  Прочитайте дану інструкцію.
-  ПОДВІЙНА ІЗОЛЯЦІЯ
-  Для того щоб запобігти пораненню внаслідок розлітання сміття, після різання слід притиснути голівку пили, доки диск повністю не зупиниться.
-  При виконанні пересувного різання, спочатку потягніть повністю каретку та натисніть на ручку, потім штовхайте каретку до напрямної планки.
-  Тримай руки або пальці на відстані від диску.
-  Відрегулюйте належним чином захисний кожух диска та планки для пересування, щоб вони не торкалися диска.
-  Під час виконання прорізів з правим нахилом, завжди слід знімати НАПРЯМНУ ПІДПОРУ R. Невиконання цієї умови може призвести до серйозного поранення оператора.



- Ніколи не дивіться на лазерний промінь. Прямий лазерний промінь може зашкодити вашим очам.
- Тільки для країн ЄС  
Не викидайте електричне обладнання разом з побутовим сміттям!  
Відповідно до Європейської директиви 2002/96/ЄС про утилізацію електричного та електронного обладнання та її застосуванням згідно з нормами національного законодавства, електрообладнання, яке вийшло з ладу, необхідно збирати окремо та відправляти на переробне підприємство, яке відповідає вимогам охорони довкілля.

ENE006-1

## Призначення

Інструмент призначено для точного різання деревини за прямою лінією та під кутом. Якщо встановити відповідні пильні диски, можна також різати алюміній.

ENF002-2

## Джерело живлення

Інструмент можна підключати лише до джерела живлення, що має напругу, зазначену в таблиці із заводськими характеристиками, і він може працювати лише від однофазного джерела змінного струму. Він має подвійну ізоляцію, а отже може також підключатися до розеток без дроту заземлення.

**Шум**

Рівень шуму за шкалою А у типовому виконанні, визначений відповідно до EN61029:

Рівень звукового тиску ( $L_{pA}$ ): 97 дБ(А)  
 Рівень акустичної потужності ( $L_{WA}$ ): 103 дБ(А)  
 Похибка (К): 3 дБ(А)

**Користуйтеся засобами захисту слуху**

000230



Tomoyasu Kato  
 Директор  
 Makita Corporation  
 3-11-8, Sumiyoshi-cho,  
 Anjo, Aichi, 446-8502, ЯПОНІЯ

ENG900-1

GEA010-1

**Вібрація**

Загальна величина вібрації (сума трьох векторів) визначена згідно з EN61029:

Вібрація ( $a_{\text{год}}$ ): 2,5 м/с<sup>2</sup> або менше  
 Похибка (К): 1,5 м/с<sup>2</sup>

ENG901-1

- Заявлене значення вібрації було виміряно у відповідності до стандартних методів тестування та може використовуватися для порівняння одного інструмента з іншим.
- Заявлене значення вібрації може також використовуватися для попередньої оцінки впливу.

**⚠УВАГА:**

- Залежно від умов використання вібрація під час фактичної роботи інструмента може відрізнитися від заявленого значення вібрації.
- Забезпечте належні запобіжні заходи для захисту оператора, що відповідатимуть умовам використання інструмента (слід брати до уваги всі складові робочого циклу, такі як час, коли інструмент вимкнено та коли він починає працювати на холостому ході під час запуску).

ENH003-13

**Тільки для країн Європи**

**Декларація про відповідність стандартам ЄС**  
 Наша компанія, **Makita Corporation**, як відповідальний виробник, наголошує на тому, що обладнання **Makita**:

Позначення обладнання:

Пересувна комбінована пила для різання під кутом  
 № моделі / тип: LS1018, LS1018L  
 є серійним виробництвом та

**Відповідає таким Європейським Директивам:**  
 2006/42/EC

Та вироблені у відповідності до таких стандартів та стандартизованих документів:  
 EN61029

Технічна документація знаходиться у нашого уповноваженого представника в Європі, а саме:

Makita International Europe Ltd.  
 Michigan Drive, Tongwell,  
 Milton Keynes, Bucks MK15 8JD, Англія

## Застереження стосовно техніки безпеки при роботі з електроприладами

**⚠ УВАГА!** Прочитайте усі застереження стосовно техніки безпеки та всі інструкції. Недотримання даних застережень та інструкцій може призвести до ураження струмом та виникнення пожежі та/або серйозних травм.

**Збережіть усі інструкції з техніки безпеки та експлуатації на майбутнє.**

ENB034-6

## ДОДАТКОВІ ПРАВИЛА БЕЗПЕКИ ПРИ КОРИСТУВАННІ ІНСТРУМЕНТОМ

1. **Одягайте захисні окуляри**
2. **Не торкайтесь руками доріжки диска пилки.**  
Не слід торкатися диску що рухається за інерцією. Він усе ще може завдати серйозної травми.
3. **Не слід експлуатувати пилку, якщо захисний кожух не встановлено в робочому положенні.** Щораз перед початком роботи слід перевіряти належне закриття кожуху. Не слід починати роботу, якщо захисний кожух диску не рухається вільно та одразу не закривається. Ніколи не слід затискувати або блокувати захисний кожух диску у відкритому положенні.
4. **Не слід виконувати різання від руки.** Під час експлуатації деталь слід міцно кріпити до поворотної основи та напрямної планки за допомогою лещат. Ніколи не утримуй деталь руками.
5. **Ніколи не обхоплюй диск пилки.**
6. **Для того, щоб пересунути деталь або змінити настройки, вимкніть інструмент та заждіть доки диск пилки не зупиниться.**
7. **Для зміни диску або здійснення технічного обслуговування відключить інструмент від мережі.**
8. **Перед перенесенням інструменту слід обов'язково закріпити всі рухомі частини.**

9. Стопорна шпилька, яка блокує ріжучу голівку призначена тільки для транспортування та зберігання, а не для різання.
  10. Не можна використовувати інструмент за наявності поруч вогнебезпечної рідини або газів. Контакт інструмента, який знаходиться під напругою, з вогнебезпечною рідиною або газами може спричинити вибух або пожежу.
  11. Перед початком роботи слід ретельно перевірити диск на наявність тріщин або пошкоджень. Слід негайно замінити тріснутий або пошкоджений диск.
  12. Слід застосовувати тільки фланці зазначені для цього інструменту.
  13. Будьте обережними, щоб не пошкодити провідний вал, фланці (особливо поверхню встановлення) або болт. Пошкодження цих частин може призвести до поломки диску.
  14. Поворотна основа повинна бути надійно закріплена, щоб не рухалась під час роботи.
  15. Перед початком роботи заберіть стружку, маленькі частини і т.д. зі столу для вашої безпеки.
  16. Слід уникати різання цвяхів. Перед початком роботи огляньте та заберіть усі цвяхи з деталі.
  17. Перед увімкненням перевірте, щоб фіксатор вала було відпущено.
  18. Диск не повинен торкатись поворотної основи в найнижчому положенні.
  19. Слід міцно триматись за ручку. Пам'ятайте, що пила мимовільно пересувається вгору та вниз під час пуску та зупинки.
  20. Перевірте, щоб диск не торкався деталі до його увімкнення.
  21. Перед використанням інструменту на фактичній деталі, залиште його якийсь час на холостому ході. Зверніть увагу на вібрацію та коливання, що вказують на погане встановлення або балансування диску.
  22. Заждіть, доки диск набере повну швидкість до початку різання.
  23. Негайно зупинить інструмент якщо вам здалося щось ненормальне в роботі пили.
  24. Не намагайтеся заблокувати курок в положенні ВМК.
  25. Слід бути пильним увесь час, особливо під час виконання повторюваних, монотонних дій. Не заспокоюйте себе помилковим відчуттям безпеки. Гострі предмети нехлюйства не вибачають.
  26. Завжди використовуйте приналежності рекомендовані в цій інструкції.
- Використання неналежного приладдя, наприклад шліфувальних кіл, може спричинити травму.
27. Пилу слід застосовувати тільки для різання деревини, алюмінію або подібних матеріалів.
  28. Під час різання слід приєднати пристрій для збору пилу до пили.
  29. Обирайте диски пили відповідно до матеріалу, що буде різатися
  30. Будьте уважними під час різання пазів
  31. Слід замінити щиток із пропилом у разі його спрацювання
  32. Не слід застосовувати диски пилки, що виготовлені з швидкорізальної сталі
  33. Інколи пил, що утворюється під час різання, містить хімічні речовини, які спричиняють захворювання на рак, пороки розвитку або інші репродуктивні шкоди. Нижче наведені деякі з цих хімічних речовин:
    - свинець, який утворюється під час різання матеріалу з барвником на свинцевій основі, а також,
    - Миш'як та хром, які утворюються під час різання хімічно обробленого пиломатеріалу.
 Ризик впливу таких речовин залежить від частоти виконання вами такого виду роботи. Для того, щоб зменшити вплив таких хімічних речовин: слід працювати в добре провітрюваному приміщенні та із затвердженими засобами індивідуального захисту, такими як пилозахисні маски, які спеціально призначені для фільтрації мікроскопічних часток.
  34. Для того, щоб зменшити вироблений шум, диск повинен бути завжди гострим та чистим.
  35. Оператор повинен мати належні знання щодо користування, регулювання та експлуатації машини.
  36. Слід використовувати правильно загострені диски пилки. Дотримуйтесь максимальної швидкості зазначеної на диску пилки.
  37. Не слід прибирати обрізки, або інші частини деталі із зони різання під час роботи інструменту та доки голівка пили не буде в положенні спокою.
  38. Використовувати слід тільки диски пилки, рекомендовані виробником, які відповідають стандарту EN847-1.
  39. Надягайте рукавиці під час роботи з диском пилки (диски пилки по можливості слід переносити у тримачі) та грубими матеріалами.



40. У разі оснащення лазером заміна лазера іншим типом лазера не дозволяється. Ремонт слід проводити лише належним чином.

## ЗБЕРІГАЙТЕ ЦІ ВКАЗІВКИ

## ВСТАНОВЛЕННЯ

### Встановлення на верстат

#### Fig.1

Під час транспортування інструмента ручку заблоковано в нижньому положенні стопорною шпилькою. Щоб відпустити стопорну шпильку, слід натиснути вниз на ручку, одночасно потягнувши стопорну шпильку.

#### Fig.2

Цей інструмент слід закріпити чотирма болтами до рівної та стійкої поверхні через болтові отвори які є в основі інструменту. Це допоможе уникнути перекидання та можливого нещасного випадку.

## ІНСТРУКЦІЯ З ВИКОРИСТАННЯ

### ⚠УВАГА:

- Перед тим як регулювати або перевіряти функціональність інструмента, переконайтеся, що інструмент вимкнено й від'єднано від мережі. Якщо інструмент не вимкнено та не від'єднано від мережі, це може призвести до серйозних травм через випадковий запуск інструмента.

### Захисний кожух диска

#### Fig.3

Коли ви опускаєте ручку, захисний кожух диска автоматично підіймається. Захисний кожух диска повертається у початкове положення після завершення різання та підйому ручки.

### ⚠УВАГА:

- Ніколи не знімайте захисний кожух або пружину, яка кріпиться до нього, та не змінюйте їх конструкцію. Інакше незахищений диск може спричинити серйозні травми під час роботи.

В інтересах вашої безпеки завжди підтримуйте захисний кожух диска в доброму стані. При неправильному функціонуванні захисного кожуха диска слід негайно налагодити його. Перевіряйте зворотну дію підпружиненого захисного кожуха.

### ⚠УВАГА:

- Ніколи не використовуйте інструмент, якщо захисний кожух або пружину пошкоджено, знято або якщо вони мають будь-які

дефекти. Робота з інструментом, захисний кожух якого пошкоджено або знято, може призвести до серйозних травм.

Якщо прозорий захисний кожух диска забруднився або весь покритий тирсою так, що диск та/або деталь погано видно, слід від'єднати пилу від мережі та ретельно почистити кожух мокрою ганчіркою. Забороняється застосовувати розчинники або будь-які миючі засоби на нафтовій основі для чищення пластикового захисного кожуха, оскільки це може пошкодити його.

Якщо захисний кожух забруднився та для нормальної роботи необхідна його чистка, виконайте наведені нижче дії:

Вимкніть інструмент та від'єднайте його від мережі, потім скористайтеся торцевим ключем, що входить до комплекту поставки, щоб відкрутити болт із шестигранною голівкою, який закріплює центральну кришку. Відпустіть болт із шестигранною голівкою, повертаючи його проти годинникової стрілки, та підніміть захисний кожух диска та центральну кришку.

#### Fig.4

У цьому положенні захисний кожух можна почистити повністю та ретельніше. Після завершення чистки виконайте вищезазначену процедуру у зворотному порядку та закріпіть болт. Не знімайте пружину, яка утримує захисний кожух диска. У разі пошкодження захисного кожуха через тривалу експлуатацію або внаслідок впливу ультрафіолетового випромінювання зверніться до центру обслуговування Makita за новим захисним кожухом. **НЕ ЗНИМАЙТЕ ЗАХИСНИЙ КОЖУХ ТА НЕ ЗМІНЮЙТЕ ЙОГО КОНСТРУКЦІЮ.**

### Позиціонування щитка з пропилом.

#### Fig.5

#### Fig.6

Цей інструмент забезпечено щитками із пропилом на поворотній основі для того, щоб мінімізувати розрив краю пропилу деталі. Щитки із пропилом регулюються на заводі таким чином, що диск пилки не торкається щитків із пропилом. Перед використанням відрегулюйте щитки із пропилом як показано нижче:

Спочатку вимкніть інструмент з мережі. Відпустіть усі гвинти (3 ліворуч та праворуч), які закріплюють щитки із пропилом. Затягніть їх знову тільки так, щоб щитки із пропилом можна було легко пересувати рукою. Опустіть ручку до упору та натисніть стопорну шпильку, щоб заблокувати ручку в нижньому положенні. Відпустіть гвинт, який закріплює пересувні рейки. Потягніть на себе каретку до упору. Відрегулюйте щитки із пропилом таким чином, щоб вони ледве торкалися боків зубців диска. Затягніть передні гвинти (не затягуйте міцно). Пересуньте каретку до напрямної планки до упору та відрегулюйте щитки із пропилом таким чином, щоб вони ледве торкалися боків зубців диска. Затягніть

задні гвинти (не затягуйте міцно).

Після регулювання щитків із пропилом відпустіть стопорну шпильку та підніміть ручку. Потім міцно затягніть всі гвинти.

**ПРИМІТКА:**

- Після регулювання кута нахилу переконайтеся, що щитки із пропилом налаштовані відповідним чином. Вірне налаштування щитків із пропилом забезпечить надійну опору деталі та зменшить до мінімуму ризик її виривання.

**Утримання максимальної ріжучої спроможності**

Інструмент регулюється на заводі таким чином, щоб забезпечити максимальну ріжучу спроможність диска пили діаметром 255 мм.

Від'єднайте інструмент від мережі, перш ніж здійснювати будь-яке регулювання. Коли ви встановлюєте новий диск, завжди перевіряйте нижнє граничне положення диска, та, якщо необхідно, регулюйте його.

**Fig.7**

**Fig.8**

Спочатку вимкніть інструмент з мережі. Пересуньте каретку до напрямної планки до упору та повністю опустіть ручку. Повертайте регулюючий болт за допомогою шестигранного ключа, доки зовнішній край диска не опуститься трохи нижче верхньої поверхні поворотної основи в тому місці, де лицьова поверхня напрямної планки зустрічається з верхньою поверхнею поворотної основи.

Коли інструмент вимкнено із мережі, обертайте диск рукою, перевіряючи, чи не торкається він нижньої основи, при цьому ручку слід постійно утримувати в нижньому положенні. Якщо необхідно, повторіть регулювання ще раз.

**⚠УВАГА:**

- Після встановлення нового диска, коли інструмент від'єднано від мережі, переконайтеся, що диск не торкається основи, коли ручку повністю опущено. Якщо диск торкається основи, це може спричинити віддачу та призвести до серйозних травм.

**Стопорне плече**

**Fig.9**

Нижнє граничне положення можна легко відрегулювати за допомогою стопорного плеча. Для цього, пересувайте стопорне плече за стрілкою, як показано на малюнку. Регулюйте гвинт регулювання доки диск не зупиниться у бажаному положенні, при цьому опускайте ручку до упору.

**Порядок регулювання косоного кута**

**Fig.10**

Відпустіть затиск, повернувши його проти стрілки годинника. Обертайте поворотну основу, натиснувши на важіль блокування. Коли ви встановите положення затиску, у якому покажчик співпаде з бажаним кутом на кутовій шкалі, міцно затягніть затиск за стрілкою годинника.

**⚠ОБЕРЕЖНО:**

- Після зміни косоного кута, обов'язково закріпіть поворотну основу, міцно затягнувши затиск.

**ПРИМІТКА:**

- Обов'язково підніміть ручку до упору при обертанні поворотної основи.

**Регулювання кута нахилу**

**Fig.11**

Для того, щоб відрегулювати кут нахилу, відпустіть важіль позаду інструмента проти стрілки годинника. Розблокуйте плече натиснувши трохи сильніше у напрямку, в якому ви маєте намір нахилити диск пилки.

**ПРИМІТКА:**

- Щоб відрегулювати важіль під різним кутом, слід видалити гвинт, що кріпить важіль, та закріпити важіль під необхідним кутом.

**Fig.12**

Нахиліть диск пилки доки покажчик не співпаде з бажаним кутом на шкалі кута нахилу диска. Потім міцно затягніть важіль за стрілкою годинника, щоб закріпити плече.

**Fig.13**

Коли ви нахилієте каретку праворуч, послабте важіль, злегка нахиліть її ліворуч та натисніть спускову кнопку. Утримуючи спускову кнопку натиснутою, нахиліть каретку праворуч.

**Fig.14**

Нахиліть диск пилки доки покажчик не співпаде з бажаним кутом на шкалі кута нахилу диска. Потім міцно затягніть важіль за стрілкою годинника, щоб закріпити плече.

- При зміні косоного кута, перевірте, чи належним чином розташовані щитки з пропилами, відповідно до розділу "Позиціонування щитків із пропилом"

**⚠ОБЕРЕЖНО:**

- Після зміни кута нахилу, обов'язково закріпіть плече, затягнувши важіль за стрілкою годинника.

**ПРИМІТКА:**

- Нахиліючи диск пили, переконайтеся, що ручка повністю піднята.
- При зміні косоного кута, перевірте, чи належним чином розташовані щитки з пропилами,

відповідно до розділу "Позиціонування щитків із пропилом"

## Регулювання засувки

Fig.15

Щоб заблокувати пересувну рейку, поверніть стопорний гвинт за стрілкою годинника.

### Дія вмикача.

#### Для Європейських країн

Fig.16

Для того, щоб запобігти випадковому натисканню курка вмикача, передбачена кнопка блокування вимкненого положення. Для того, щоб запустити інструмент, відведіть важіль ліво, натисніть на кнопку блокування вимкненого положення та натисніть на курок вмикача. Для зупинення роботи курок слід відпустити.

### ⚠УВАГА:

- **Перед тим як підключити інструмент до мережі, слід перевірити, щоб курок перемикача належним чином спрацьовував та повертався в положення «ВИМК.», коли його відпускають. Ніколи не натискайте із силою на курок вмикача, якщо кнопка блокування вимкненого положення не натиснута. Інакше це може призвести до поломки вмикача.** Робота з інструментом, вмикач якого не спрацьовує належним чином, може призвести до втрати контролю над інструментом та серйозних травм.

У курку вмикача передбачений отвір для вставки замку та блокування інструмента.

#### Для всіх країн крім Європейських

Fig.17

Для того, щоб запобігти випадковому натисканню курка вмикача, передбачена кнопка блокування вимкненого положення. Для того, щоб запустити інструмент, натисніть на кнопку блокування вимкненого положення та натисніть на курок вмикача. Для зупинення роботи курок слід відпустити.

### ⚠УВАГА:

- **Перед тим як підключити інструмент до мережі, слід перевірити, щоб курок перемикача належним чином спрацьовував та повертався в положення «ВИМК.», коли його відпускають. Ніколи не натискайте із силою на курок вмикача, якщо кнопка блокування вимкненого положення не натиснута. Інакше це може призвести до поломки вмикача.** Робота з інструментом, вмикач якого не спрацьовує належним чином, може призвести до втрати контролю над інструментом та серйозних травм.

У курку вмикача передбачений отвір для вставки замку та блокування інструмента.

### ⚠УВАГА:

- **Не використовуйте фіксатор зі стрижнем або кабелем, діаметр яких менше 6,35 мм.** Менший стрижень або кабель не зможуть належним чином зафіксувати інструмент у вимкненому положенні, та це може призвести до ненавмисного увімкнення та серйозних травм.
- **ЗАБОРОНЕНО використовувати інструмент, якщо курок вмикача працює неналежним чином.** Інструмент із несправним вмикачем є ДУЖЕ НЕБЕЗПЕЧНИМ, для подальшого використання його слід полагодити, інакше його використання може призвести до серйозних травм.
- Із міркувань безпеки цей інструмент обладнаний кнопкою блокування вимкненого положення, що запобігає довільному запуску інструмента. ЗАБОРОНЕНО використовувати інструмент, якщо він запускається простим натисканням курка вмикача без натискання кнопки блокування вимкненого положення. Вмикач, який потребує ремонту, може спричинити ненавмисне увімкнення та серйозні травми. ПЕРЕД подальшим використанням інструмент слід здати в ремонт до сервісного центру Makita.
- ЗАБОРОНЯЄТЬСЯ змінювати конструкцію кнопки блокування вимкненого положення шляхом її затискання або будь-яким іншим чином. Вмикач з кнопкою блокування вимкненого положення, конструкцію якої змінено, може спричинити ненавмисне увімкнення та серйозні травми.

## Електронні функції

### Функція плавного запуску

- Ця функція також забезпечує плавний пуск інструмента, обмежуючи обертальний момент під час пуску.

### Дія лазерного променя Тільки для моделі LS1018L

#### ПРИМІТКА:

- Перед першим використанням вставте два сухі елементи AA в корпус для елементів. Для отримання інформації щодо їх заміни зверніться до розділу "Заміна сухих елементів лазерного блока".

### ⚠ОБЕРЕЖНО:

- Коли лазер не використовується, обов'язково його вимикайте

Fig.18

### ⚠ОБЕРЕЖНО:

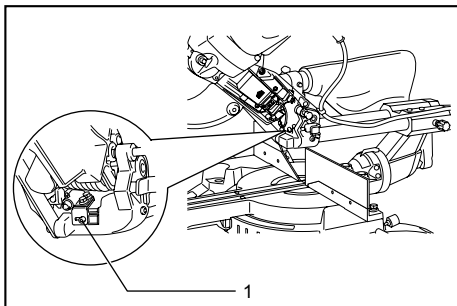
- Ніколи не дивіться на лазерний промінь. Прямий лазерний промінь може зашкодити вашим очам.
- ЛАЗЕРНЕ ВИПРОМІНОВАННЯ, НЕ МОЖНА ДИВИТИСЯ У ПРОМІНЬ, ЛАЗЕРНИЙ ВИРІБ,

## КЛАС 2.

- Перед лінії випромінювання лазера або виконанням експлуатаційного регулювання обов'язково вимикайте інструмент з мережі.

Для того щоб увімкнути лазерний промінь, натисніть на верхнє положення (I) перемикача. Для того щоб вимкнути лазерний промінь, натисніть на нижнє положення (0) перемикача.

Лінію випромінювання лазера можна пересунути або праворуч, або ліворуч диска пили, відпустивши гвинт, що кріпить корпус лазерного блока, та пересунувши корпус у потрібному напрямку. Після здійснення пересування слід обов'язково затягнути гвинт.



1. Гвинт, що утримує корпус лазерного блока  
010473

Лазерна лінія регулюється на заводі, де вона встановлюється на відстані 1 мм від бокової поверхні диска (положення різання)

### ПРИМІТКА:

- Якщо лазерна лінія стає слабкою та малопомітною через пряме сонячне світло, перемістіть робоче місце, щоб на нього сонячне світло не потрапляло.

## Заміна сухих елементів лазерного блока

### Fig.19

### Fig.20

Зніміть кришку для сухих елементів лазерного блока, одночасно натискаючи та пересуваючи її. Витягніть старі сухі елементи та вставте нові, як показано на малюнку. Після здійснення заміни поверніть кришку на місце.

### Чистка скла для лазерного світла

Якщо скло лазерного підсвічування забруднилося, або на нього налипла стружка, в такому разі, лазерна лінія погано видна, вимкніть пилку та ретельно почистіть скло для лазерного підсвічування сухою або мокрою ганчіркою. Забороняється застосовувати розчинники або будь-які миючі засоби на нафтовій основі для чистки скла.

### ПРИМІТКА:

- Коли лазерна лінія почне тьмяніти и стане практично невидимою через прямі сонечні промені при роботі в приміщенні або ні, біля вікна, слід перемістити робочу зону туди, куди не потрапляє пряме сонячне проміння.

## КОМПЛЕКТУВАННЯ

### ⚠УВАГА:

- **Перед тим як працювати з інструментом, переконайтеся, що його вимкнено і від'єднано від мережі.** Якщо інструмент не вимкнено та не від'єднано від мережі, це може призвести до серйозних травм.

### Зберігання торцевого гайкового ключа з шестиграним ключем з іншого кінця

#### Fig.21

Торцевий ключ зберігається, як показано на малюнку. За необхідності торцевий ключ можна витягнути із тримача. Після використання торцевий ключ слід зберігати у тримачі.

### Встановлення та зняття полотна пили

### ⚠УВАГА:

- **Переконайтеся, що інструмент вимкнено та від'єднано від мережі, перш ніж встановлювати або знімати диск.** Випадковий пуск інструмента може призвести до серйозних травм.
- **Щоб встановити або зняти диск, використовуйте тільки торцевий ключ Makita, який входить до комплекту постачання.** Якщо не використовувати торцевий ключ, це може призвести до надмірного або недостатнього затягування болта із шестигранною голівкою та серйозних травм.

#### Fig.22

Заблокуйте ручку в піднятому положенні, настигнувши на стопорну шпильку.

#### Fig.23

Для того, щоб зняти диск, відпустіть болт із шестигранною голівкою, який утримує центральну кришку, повертаючи його проти стрілки годинника за допомогою торцевого ключа. Підійміть захисний кожух диску та центральну кришку.

#### Fig.24

Натисніть на фіксатор валу для блокування шпинделя, та за допомогою торцевого ключа відпустіть болт із шестигранною голівкою за стрілкою годинника. Потім слід вийняти болт, зовнішній фланець та диск.

#### ПРИМІТКА:

- Якщо внутрішній фланець був знятий, обов'язково встановіть його на шпindel ь та к, щоб виступ був направлений від диска. Якщо фланець встановлено невірно, він буде тертися о прилад.

#### ⚠УВАГА:

- **Перш ніж встановлювати диск на шпindel ь, переконайтеся, що між внутрішнім і зовнішнім фланцем знаходиться відповідне кільце для осьового отвору диска.** Через використання невідповідного кільця для осьового отвору диск може бути встановлений неналежним чином; в цьому випадку диск не буде повністю закріплений, з'явиться сильна вібрація, що під час роботи може призвести до втрати контролю та серйозних травм.

#### Fig.25

Для встановлення диску, обережно вставте його на шпindel ь, перевіривши, чи співпадає напрямком стрілки на поверхні диску з напрямком стрілки на корпусі диску.

Вставте зовнішній фланець та болт з шестигранною голівкою, потім за допомогою торцевого ключа надійно затягніть болт (лівий) проти стрілки годинника, натискаючи на фіксатор валу.

**Для всіх країн крім Європейських**

#### Fig.26

#### ⚠УВАГА:

- Чорне кільце із зовнішнім діаметром 25 мм та срібне кільце із зовнішнім діаметром 25,4 мм встановлюються на заводі, як показано на малюнку. Якщо ви застосовуєте диск із діаметром отвору 25 мм, слід замінити срібне кільце на чорне. **Перш ніж встановлювати диск на шпindel ь, переконайтеся, що між внутрішнім і зовнішнім фланцем знаходиться кільце, що відповідає осьовому отвору диска.** Через використання кільця, що не відповідає осьовому отвору, диск може бути встановлений неналежним чином; у цьому випадку диск не буде повністю закріплений, з'явиться сильна вібрація, що під час роботи може призвести до втрати контролю та серйозних травм.

**Для Європейських країн**

#### ⚠ОБЕРЕЖНО:

- Кільце зовнішнім діаметром 30 мм встановлюється на заводі між внутрішнім та зовнішнім фланцями.

Вставте зовнішній фланець та болт з шестигранною голівкою, потім за допомогою торцевого ключа надійно затягніть болт, повертаючи його проти стрілки годинника, натискаючи на фіксатор валу.

#### Fig.27

Знову вставте захисний кожух та центральну кришку в початкове положення. Потім затягніть болт із шестигранною голівкою, повертаючи його за годинниковою стрілкою, щоб закріпити центральну кришку. Відпустіть ручку з піднятого положення, натиснувши на стопорну шпильку. Опустіть ручку, для того щоб перевірити, що захисний кожух пересувається належним чином. Перевірте, що фіксатор валу відпустив шпindel ь перед початком різання.

#### Мішок для пилу (приналежність)

#### Fig.28

Якщо користуватись мішком для пилу, то операції з різання стають чистішими, а збирання пилу – легшим. Для того щоб закріпити мішок для пилу, його слід надіти на штуцер для пилу.

Коли мішок для пилу заповнюється приблизно на половину, його слід зняти з інструмента та витягти кріплення. Звільніть мішок для пилу від його вмісту, злегка його постукуючи, щоб видалити частки, які пристали до внутрішньої поверхні, і що може перешкоджати збору пилу.

#### ПРИМІТКА:

Якщо ви підключите до своєї пилки пилосос, робота з інструментом стане чистішою.

#### Кріплення деталі

#### ⚠УВАГА:

- **Надзвичайно важливо належним чином закріплювати деталь за допомогою відповідних лещат або стопорів галтелей з хвилеподібним профілем.** Невиконання цієї вимоги може призвести до серйозних травм та пошкодити інструмент та/або деталь.
- **Після завершення різання не піднімайте диск, доки він повністю не зупиниться.** Якщо підняти диск, що рухається за інерцією, це може призвести до серйозних травм та пошкодити деталь.
- **Під час різання деталі, яка є довшою за основу пили, матеріал слід тримати на одному рівні, підтримуючи по всій довжині на тій самій висоті.** Належне підтримування деталі допоможе уникнути защемлення диска та можливої віддачі, яка може призвести до серйозних травм. При кріпленні деталі не слід розраховувати виключно на вертикальні та/або горизонтальні лещата. Тонкий матеріал прогинається. Слід підтримувати деталь по всій довжині для того, щоб запобігти защемленню диска та можливій ВІДДАЧІ.

#### Fig.29

## Налаштування напрямної планки (ПЕРЕСУВНИХ ПЛАНОК: верхніх та нижніх)

Fig.30

### ⚠УВАГА:

- Перш ніж користуватися інструментом, слід перевірити, чи планка для пересування міцно закріплена.
- Перш ніж здійснювати різання під кутом, переконайтеся, що у всіх положеннях інструмента жодна з його частин – особливо це стосується диска – не торкається верхніх і нижніх планок при повністю опущеній або піднятій ручці, а також під час пересування каретки по всій довжині. Якщо інструмент або диск торкається планки, це може спричинити віддачу або несподіваний рух матеріалу та призвести до серйозних травм.

Fig.31

### ⚠ОБЕРЕЖНО:

- При здійснюванні різання з нахилом планку для пересування слід пересувати вліво і закріплювати, як показано на малюнку. У противному випадку вона буде торкатися диска або частини інструмента, і це може спричинити серйозної травми оператора.

Цей інструмент обладнаний планкою для пересування, яка звичайно встановлюється, як показано на малюнку.

Однак при здійснюванні різання з лівим нахилом її слід встановлювати у ліве положення, як показано на малюнку, якщо ріжуча частина інструмента її торкається.

Після завершення різання з нахилом планку для пересування слід обов'язково пересунути у початкове положення та закріпити, міцно затягнувши затискний гвинт.

## Напрямна підпора R

### ⚠УВАГА:

- Перш ніж користуватися інструментом, слід перевірити, чи напрямна підпора R міцно закріплена.
- Перед здійснюванням різання з правим нахилом напрямну підпору R слід знімати. Вона буде торкатися диска або частини інструмента, і це може спричинити серйозної травми оператора.

Fig.32

Напрямна підпору R можна знімати з правого боку напрямної планки. Щоб зняти напрямну підпору R, відпустіть гвинт, який її кріпить, та витягніть напрямну підпору R. Щоб її встановити, виконайте дії з її знімання у зворотному порядку.

Після завершення різання з нахилом напрямну підпору R слід обов'язково пересунути у початкове положення та закріпити, міцно затягнувши затискний

гвинт.

## Вертикальний затиск

Fig.33

Вертикальний затиск можна встановлювати або ліворуч, або праворуч напрямної планки. Вставте затискний штифт в отвір на напрямній планці та затягніть гвинт позаду напрямної планки, щоб закріпити затискний штифт.

Розмістіть затискне плече відповідно до товщини та форми деталі та закріпіть затискне плече, затягнувши гвинт. Якщо гвинт кріплення затискного плеча торкається напрямної планки, встановіть гвинт з протилежного боку затискного плеча. Перевірте, чи не торкається затиск якої-не будь частини інструменту при опусканні ручки до упору або постійному натисканні каретки. Якщо якась частина торкається затиску, то повторіть його встановлення. Притисніть деталь впритул до напрямної планки та поворотної основи. Розмістіть деталь в бажаному положенні різання та міцно закріпіть її, затягнувши затискну ручку.

### ⚠УВАГА:

- Під час всіх операцій деталь повинна бути надійно прикріплена до поворотної основи та напрямної планки за допомогою лещат. Якщо деталь прикріплена до планки неналежним чином, матеріал може зсунутися під час різання, в результаті чого диск може отримати пошкодження, а матеріал відскочити, це може призвести до втрати контролю та серйозних травм.

## Горизонтальний затиск (додаткова приналежність )

Fig.34

Вертикальний затискний пристрій можна встановлювати у двох положеннях: ліворуч або праворуч від основи. Під час різання під кутом 10° або більше встановлюйте вертикальний затискний пристрій на протилежному боці від напрямку, у якому буде повертатися поворотна основа.

Fig.35

У разі прокручування гайки лещат проти годинникової стрілки лещата відпускаються та швидко пересуваються усередину та назовні. Щоб зафіксувати деталь, натисніть на затискну ручку вперед, доки затискна пластина не торкнеться деталі, та прокрутіть гайку лещат за годинниковою стрілкою для того, щоб закріпити деталь.

Максимальна ширина деталі, яку можна закріпити горизонтальним затиском, становить 215 мм.

Якщо горизонтальний затиск встановлюється праворуч основи, скористайтесь також напрямною підпорою R для міцнішого кріплення деталі. Порядок встановлення напрямної підпори дивись в розділі

"Напрямна підпора" вище.

#### **⚠УВАГА:**

- **Завжди обертайте гайку лещат за годинниковою стрілкою, доки деталь не буде надійно закріплена.** Якщо деталь закріплена неналежним чином, матеріал може зсунутися під час різання, в результаті чого диск може отримати пошкодження, а матеріал відскочити, це може призвести до втрати контролю та до серйозних травм.
- Під час різання тонких деталей, наприклад, плінтусів, впритул до планок, завжди використовуйте горизонтальні лещата.

#### **Тримачі**

**Fig.36**

Тримачі є зручними засобами для утримання деталей у горизонтальному положенні, їх можна встановлювати з будь-якого боку. Вставте штифти тримача до упору в отвори основи. Потім міцно затягніть тримачі за допомогою гвинтів.

#### **⚠УВАГА:**

- **Щоб забезпечити точність відрізу та уникнути небезпечної втрати контролю над інструментом, слід завжди підтримувати довгу деталь на одному рівні з поверхнею поворотної основи.** Належна опора деталі допоможе запобігти защемленню диска та можливій віддачі, яка може призвести до серйозних травм.

## **ЗАСТОСУВАННЯ**

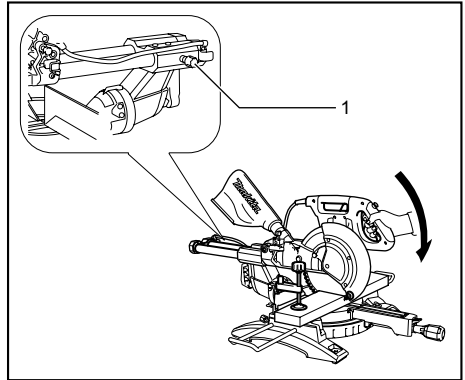
#### **ПРИМІТКА:**

- Перед застосуванням обов'язково відпустіть ручку з опущеного положення, натиснувши на стопорну шпильку.
- Не додавайте надлишкового тиску на ручку під час різання. Занадто велике зусилля може призвести до перенавантаження двигуна та/або зменшеною продуктивності різання. Слід тиснути на ручку тільки з такою силою, яка необхідна для плавного різання та без значного зниження швидкості диска.
- Для різання слід спокійно тиснути на ручку вниз. Якщо ручку натискати із зусиллям або при наявності бокового зусилля, диск почне вібрувати та залишить мітку (лінію різання) на деталі в наслідок чого точність різання буде погіршена.
- Під час пересувного різання, слід плавно безупинно штовхати каретку у напрямку до напрямної планки. Якщо каретка зупиниться під час різання, мітка буде залишена на деталі та точність різання буде погіршена.

#### **⚠УВАГА:**

- **Переконайтеся, що диск не торкається деталі та ін., перш ніж вмикати інструмент.** Якщо увімкнути інструмент, коли диск торкається деталі, це може призвести до віддачі та серйозних травм.

#### **1. Вірзання (різання маленьких деталей)**



#### **1. Стопорний гвинт**

011409

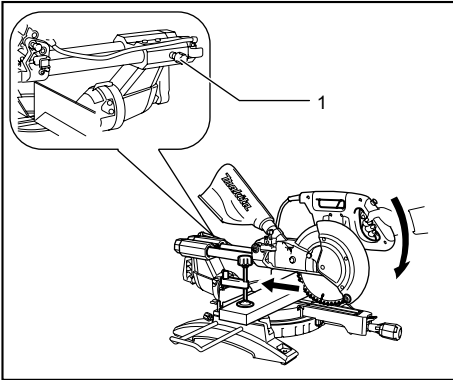
Деталі висотою до 91 мм та шириною до 70 мм можна різати наведеним нижче способом.

Пересуньте каретку до напрямної планки до упору та затягніть стопорний гвинт за стрілкою годинника, щоб закріпити каретку. Закріпіть деталь належним чином за допомогою лещат відповідного типу. Увімкніть інструмент, переконавшись, що диск нічого не торкається, і перед опусканням заждіть, доки він набере максимальну швидкість. Потім плавно опустіть ручку в найнижче положення для різання деталі. Після завершення різання вимкніть інструмент та **ЗАЖДІТЬ, ДОКИ ДИСК ПОВНІСТЮ ЗУПИНИТЬСЯ**, перед тим як підняти диск до упору.

#### **⚠УВАГА:**

- **Міцно затягніть ручку за стрілкою годинника, щоб каретка не рухалася під час роботи.** Якщо ручка буде затягнута ненадійно, це може спричинити віддачу, яка може призвести до серйозних травм.

## 2. Пересувне (поштовхом) різання (різання великих деталей)



### 1. Стопорний гвинт

011410

Відпустіть стопорний гвинт проти стрілки годинника, щоб каретка мала можливість вільно пересуватись. Закріпіть деталь за допомогою лещат відповідного типу. Потягніть на себе каретку до упору. Увімкніть інструмент, переконавшись, що диск нічого не торкається, і заждіть, доки він набере максимальну швидкість. Натисніть на ручку та ПЕРЕСУНЬТЕ КАРЕТКУ ДО НАПРЯМНОЇ ПЛАНКИ ТА УЗДОВЖ РОБОЧОЇ ДЕТАЛІ. Після завершення різання вимкніть інструмент та ЗАЖДІТЬ, ДОКИ ДИСК ПОВНІСТЮ ЗУПИНИТЬСЯ, перед тим як підняти диск до упору.

### ⚠УВАГА:

- Кожного разу під час виконання пересувного різання спочатку потягніть каретку повністю до себе та натисніть на ручку вниз до упору, потім пересуньте каретку до напрямної планки. Ніколи не починайте різання, повністю не пересунувши каретку до себе. Якщо ви будете виконувати пересувне різання, повністю не пересунувши каретку до себе, може виникнути несподівана віддача, яка може призвести до серйозних травм.
- Ніколи не намагайтеся виконувати пересувне різання, потягнувши каретку до себе. Якщо ви будете тягнути каретку до себе під час різання, може виникнути несподівана віддача, яка може призвести до серйозних травм.
- Ніколи не виконуйте пересувне різання, якщо ручка заблокована в опущеному положенні.
- Під час обертання диска ніколи не послабляйте стопорний гвинт, який фіксує каретку. Через послаблення каретки під час

різання може виникнути несподівана віддача, яка може призвести до серйозних травм.

## 3. Різання під косим кутом

Дивись розділ вище "Регулювання косоного кута"

## 4. Кут нахилу

### Fig.37

Відпустіть важіль та нахилить диск пилки, щоб встановити кут нахилу (Дивись розділ вище "Регулювання кута нахилу") Слід Лобов'язково повторно міцно затягти важіль, щоб надійно зафіксувати обраний кут нахилу. Закріпіть деталь за допомогою лещат. Перевірте, щоб каретка постійно відтягувалась назад до оператора. Увімкніть інструмент та заждіть, доки диск набере повної швидкості, не торкаючись диском будь-якого предмету. Потім спокійно опустіть ручку до упору, додаючи тиску паралельно з диском та ШТОВХАЙТЕ КАРЕТКУ ДО НАПРЯМНОЇ ПЛАНКИ ДЛЯ РІЗАННЯ ДЕТАЛІ. Після завершення різання, вимкніть інструмент та ЗАЖДІТЬ ДОКИ ДИСК ПОВНІСТЮ НЕ ЗУПИНИТЬСЯ перед тим як підняти диск до упору.

### ⚠УВАГА:

- Після налаштування диска для різання під кутом перш ніж почати роботу із інструментом, переконайтеся, що каретка та диск можуть вільно пересуватися по всій довжині наміченого відрізу. Переривання руху каретки або диска під час різання може призвести до несподіваної віддачі та серйозних травм.
- Виконуючи різання під кутом, не торкайтесь руками доріжки диска пилки. Через те, що диск розташований під кутом, оператор може не сприймати фактичний напрямок диска під час різання; контакт з диском призведе до серйозної травми.
- Доки диск повністю не зупиниться, його не слід піднімати. Під час різання під кутом обрізок деталі може зачепитися за диск. Якщо підняти диск, що обертається, він може вирвати обрізок деталі, розбивши його на осколки, що призведе до серйозних травм.

### ПРИМІТКА:

- При натисканні ручки донизу додавайте тиск паралельно диску. Якщо зусилля додано перпендикулярно поворотній основі або змінився напрямок тиску під час різання, точність різання погіршиться.
- Перед різанням під кутом може знадобитися налаштування верхньої або нижньої планки. Див. розділ «Регулювання напрямної планки».



## ⚠ОБЕРЕЖНО:

- Завжди знімайте пряму підпору R, щоб вона не заважала будь-якій частині каретки при здійсненні різання під кутом.

### 5. комбіноване різання

Комбіноване різання – це процес, при якому встановлено кут нахилу і одночасно косий кут вирізається на деталі. Комбіноване різання може відбуватися під кутом, вказаним у таблиці нижче.

Косий кут	Кут нахилу
Лівий та правий 0°- 45°	Лівий та правий 0°- 45°

009713

При комбінованому різанні звертайтеся до розділів "Різання невеликих деталей", Різання під косим кутом та "Різання з кутом нахилу" за поясненнями.

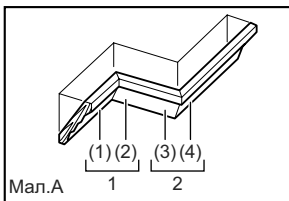
### 6. Різання галтелей з хвилеподібним та увігнутим профілем

Галтелі з хвилеподібним та увігнутим профілем можна різати на комбінованій пилі для різання під кутом разом з галтелями, встановленими горизонтально на поворотній основі.

Є два загальні типи галтелей з хвилеподібним профілем та один тип галтелей з увігнутим профілем; настінна кутова галтель з хвилеподібним профілем 52/38°, настінна кутова галтель з хвилеподібним профілем 45° та настінна кутова галтель з увігнутим профілем 45°. Див. ілюстрації.

Fig.38

Для галтелей з хвилеподібним та увігнутим профілем є два типи швів, які здійснюються для припасування у «внутрішні» кути 90° ((1) та (2) на малюнку А), а також у «зовнішні» кути 90° ((3) та (4) на малюнку А).



Мал.А

001556

1. Внутрішній кут
2. Зовнішній кут

Fig.39

#### Вимірювання

Виміряйте довжину стіни та розташуйте деталь на столі, щоб відрізати край, що торкається стіни, скоротивши його до необхідної довжини. Переконайтеся, що довжина відрізаної деталі в її задній частині дорівнює довжині стіни. Прилаштуйте довжину відрізу до кута відрізу.

Завжди використовуйте декілька деталей для пробних проходів, щоб перевірити кути відрізу. Під час різання галтелей з хвилеподібним та увігнутим профілем встановіть кут нахилу та кут різання, як показано в таблиці (А), та розташуйте галтелі на верхній стороні основи пили, як показано в таблиці (В).

#### У випадку різання під кутом ліворуч

Таблиця (А)

	Положення галтелі на малюнку А	Кут нахилу		Косий кут	
		Тип 52/38°	Тип 45°	Тип 52/38°	Тип 45°
Для внутрішнього кута	(1)	Лівий 33,9°	Лівий 30°	Правий 31,6°	Правий 35,3°
	(2)				
Для зовнішнього кута	(3)	Лівий 33,9°	Лівий 30°	Правий 31,6°	Лівий 35,3°
	(4)				

006361

Таблиця (В)

	Положення галтелі на малюнку А	Поверхня галтелі напроти напрямної планки	Оброблена деталь
Для внутрішнього кута	(1)	Край, що торкається стіни, повинен бути розташований напроти напрямної планки.	Оброблена деталь знаходиться ліворуч від диска.
	(2)	Край, що торкається стіни, повинен бути розташований напроти напрямної планки.	
Для зовнішнього кута	(3)	Край, що торкається стіни, повинен бути розташований напроти напрямної планки.	Оброблена деталь знаходиться праворуч від диска.
	(4)	Край, що торкається стіни, повинен бути розташований напроти напрямної планки.	

006362

#### Приклад:

У випадку різання галтелі з хвилеподібним профілем типу 52/38° для положення (1) на малюнку А:

- Нахиліть та встановіть кут нахилу на 33,9° ЛІВОРУЧ.
- Налаштуйте та встановіть кут різання на 31,6° ПРАВОРУЧ.
- Розташуйте галтель з хвилеподібним профілем так, щоб її широка задня частина (що схована) знаходилася на основі та була направлена вниз, а КРАЙ, ЩО ТОРКАЄТЬСЯ СТЕЛІ, - напроти напрямної планки пили.
- Після виконання відрізу призначена для використання оброблена деталь буде завжди розташована ЛІВОРУЧ від диска.

#### У випадку різання під кутом праворуч

Таблиця (А)

	Положення галтелі на малюнку А	Кут нахилу		Косий кут	
		Тип 52/38°	Тип 45°	Тип 52/38°	Тип 45°
Для внутрішнього кута	(1)	Правий 33,9°	Правий 30°	Лівий 31,6°	Лівий 35,3°
	(2)				
Для зовнішнього кута	(3)	Правий 33,9°	Правий 30°	Лівий 31,6°	Лівий 35,3°
	(4)				

006363

Таблиця (В)

	Положення галтелі на малюнку А	Поверхня галтелі напроти напрямної планки	Оброблена деталь
Для внутрішнього кута	(1)	Край, що торкається стіни, повинен бути розташований напроти напрямної планки.	Оброблена деталь знаходиться праворуч від диска.
	(2)	Край, що торкається стіни, повинен бути розташований напроти напрямної планки.	
Для зовнішнього кута	(3)	Край, що торкається стіни, повинен бути розташований напроти напрямної планки.	Оброблена деталь знаходиться ліворуч від диска.
	(4)	Край, що торкається стіни, повинен бути розташований напроти напрямної планки.	

006364

**Приклад:**

У випадку різання галтелі з хвилеподібним профілем типу 52/38° для положення (1) на малюнку А:

- Нахилить та встановить кут нахилу на 33,9° ПРАВОРУЧ.
- Налаштуйте та встановить кут різання на 31,6° ПРАВОРУЧ.
- Розташуйте галтель з хвилеподібним профілем так, щоб її широка задня частина (що схована) знаходилась на основі та була направлена вниз, а КРАЙ, ЩО ТОРКАЄТЬСЯ СТИНИ, - напроти напрямної планки пили.
- Після виконання відрізу призначена для використання оброблена деталь буде завжди розташована ПРАВОРУЧ від диска.

**7. Різання алюмінієвого профілю****Fig.40****Fig.41**

Для кріплення алюмінієвого профілю, користуйтеся брусками або обрізками, як показано на малюнку, щоб запобігти деформації алюмінію. Для того, щоб запобігти налипанню алюмінієвої стружки до диску, використовуйте мастило під час різання алюмінієвого профілю.

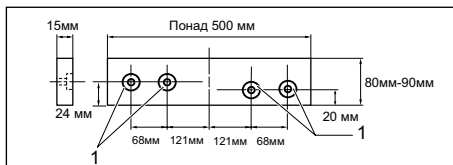
**⚠УВАГА:**

- **Ніколи не намагайтеся різати товстий або круглий алюмінієвий профіль.** Товстий або круглий алюмінієвий профіль важко закріпити, і він може розхитатися під час різання, що може призвести до втрати контролю та до серйозних травм.

**8. Лицьова дошка**

Застосування лицьової дошки допомагає забезпечити краї пропила деталі без "розкуйовдження" Лицьова дошка кріпиться до напрямної планки за допомогою отворів в напрямній планці.

Дивись малюнок стосовно розмірів пропонованої лицьової дошки.

**1. Отвори**

010563

**⚠ОБЕРЕЖНО:**

- Пряма дошка постійної товщини застосовується для лицьової дошки.

**⚠УВАГА:**

- **Гвинти використовуються для кріплення лицьової дошки до напрямної планки. Гвинти слід закручувати таким чином, щоб їх головки знаходилися нижче поверхні лицьової дошки та не заважали встановленню матеріалу, що розрізається.** Неналежне центрування матеріалу, що розрізається, може спричинити несподіваний рух під час різання та призвести до втрати контролю й серйозних травм.

**ПРИМІТКА:**

- Якщо прикріплена лицьова дошка, не слід повертати поворотну основу з опущеною ручкою. Диск та/або лицьова дошка будуть пошкоджені.

**9. Різання пазів****Fig.42**

Різання пазів може здійснюватися слідуєчим образом:

Відрегулюйте нижнє граничне положення диску за допомогою регулюючого гвинта та стопорного плеча для того, щоб обмежити глибину диска. Дивись розділ "Стопорне плече" вище.

Після регулювання нижнього граничного положення диска проріжте паралельні пази по ширині деталі в режимі пересувного різання, як показано на малюнку. Потім зніміть частину деталі між пазами за допомогою стамески.

**⚠УВАГА:**

- **Не намагайтеся виконати цей тип відрізу, використовуючи більш широкий диск або диск для вирізання пазів.** Спроба прорізати паз за допомогою більш широкого диска або диска для вирізання пазів може призвести до непередбачених результатів, віддачі або серйозних травм
- **Здійснюючи всі типи різання, крім різання пазів, переконайтеся, що стопорне плече повернулося у вихідне положення.** Спроба зробити надріз, коли стопорне плече знаходиться в неналежному положенні, може

призвести до непередбачених результатів, віддачі або серйозних травм.

#### **⚠ОБЕРЕЖНО:**

- Обов'язково поверніть стопорне плече в початкове положення при виконанні іншого різання окрім різання пазів.

### **Перенесення верстата**

#### **Fig.43**

Перевірте, чи від'єднано інструмент від мережі. Закріпіть диск під кутом нахилу 0° та поворотну основу під правим косим кутом до упору. Закріпіть пересувні рейки, щоб нижня пересувна рейка була зафіксована в положенні, коли каретка повністю відтягнута до оператора, а верхня рейка – в положенні, коли каретка повністю відсунута вперед до напрямної планки (зверніться до розділу «Регулювання засувки».) Опустіть ручку до упору та заблокуйте її в опущеному положенні, натиснувши на стопорну шпильку.

Змотуйте шнур живлення, застосовуючи пристрій для шнура.

#### **⚠УВАГА:**

- **Стопорна шпилька призначена для фіксування тільки з метою транспортування та зберігання, її забороняється використовувати під час різання.** Якщо використовувати стопорну шпильку під час різання, це може викликати несподіваний рух диска пили та призвести до віддачі та серйозних травм.

Перенесіть інструмент тримаючи основу інструменту з обох боків, як показано на малюнку. Якщо ви знімете тримачі, мішок для пилу і т.п., інструмент переноситься легше.

#### **⚠ОБЕРЕЖНО:**

- Перед перенесенням інструмента слід завжди закріплювати всі частини, що рухаються. Якщо при перенесенні інструмента деякі його частини рухаються, ви можете втратити рівновагу і отримати серйозні травми.

## **ТЕХНІЧНЕ ОБСЛУГОВУВАННЯ**

#### **⚠УВАГА:**

- **Перед тим як проводити регулювання або технічне обслуговування інструмента, переконайтеся, що його вимкнено і від'єднано від мережі.** Якщо інструмент не вимкнено та не від'єднано від мережі, це може призвести до серйозних травм через випадковий запуск інструмента.
- **Завжди перевіряйте, щоб диск був гострий та чистий, це забезпечить найкращу та найбезпечнішу роботу.** Різання тупим та/або брудним диском може призвести до віддачі та

серйозних травм.

#### **ПРИМІТКА:**

- Ніколи не використовуйте газолін, бензин, розріджувач, спирт та подібні речовини. Їх використання може призвести до зміни кольору, деформації та появи тріщин.

### **Порядок регулювання кута різання**

інструмент ретельно відрегульовано та налагоджено на заводі, але грубе використання може порушити налагодження. Якщо ваш інструмент не налагоджено належним чином, виповніть наведені нижче операції

#### **1. Косий кут**

#### **Fig.44**

Пересуньте каретку до напрямної планки та затягніть стопорний гвинт, щоб закріпити каретку.

Відпустіть затиск, який фіксує поворотну основу. Поверніть поворотну основу таким чином, щоб покажчик співпав з 0° на кутовій шкалі. Потім злегка поверніть поворотну основу за стрілкою годинника та проти стрілки годинника, щоб поворотна основа сіла в паз під кутом 0° . (Залиште як є, якщо покажчик не показує 0°.) За допомогою торцевого ключа відпустіть болти з внутрішнім шестигранником, які закріплюють напрямку планку.

#### **Fig.45**

Опустіть ручку до упору та заблокуйте її в опущеному положенні, натиснувши на стопорну шпильку. За допомогою трикутника, косинця тощо встановіть диск так, щоб його бік був перпендикулярним до лицьової поверхні напрямної планки. Потім міцно затягніть болти з внутрішнім шестигранником на напрямній планці, починаючи з правого боку.

#### **Fig.46**

Перевірте чи співпав покажчик з 0° на кутовій шкалі. Якщо покажчик не вказує на 0° , відпустіть гвинт, що кріпить покажчик та регулюйте покажчик доки він не біде вказувати на 0° .

#### **2. Кут нахилу**

(1) Кут нахилу 0°

#### **Fig.47**

Пересуньте каретку до напрямної планки та затягніть стопорний гвинт, щоб закріпити каретку. Опустіть ручку до упору та заблокуйте її в опущеному положенні, натиснувши на стопорну шпильку. Відпустіть важіль позаду інструмента.

#### **Fig.48**

Поверніть болт із шестигранною голівкою праворуч плеча на два або три обертоти проти стрілки годинника, щоб нахилити

диск вправо.

Fig.49

Обережно встановіть бокову поверхню диска перпендикулярно верхній поверхні поворотної основи за допомогою трикутника, косинця тощо, повернувши болт із шестигранною голівкою праворуч плеча за стрілкою годинника. Потім міцно затягніть важіль.

Fig.50

Перевірте, чи вказує покажчик на плечі на 0° на шкалі нахилу на тримачі плеча. Якщо покажчик не вказує на 0°, відпустіть гвинт, що кріпить покажчик, та відрегулюйте його, щоб він вказував на 0°.

(2) Кут нахилу 45°

Fig.51

Відрегулюйте кут нахилу 45° тільки після завершення регулювання кута нахилу 0°. Для регулювання лівого кута нахилу 45° відпустіть важіль та нахилить диск вліво до упору. Перевірте, чи вказує покажчик на плечі на 45° на шкалі нахилу на тримачі плеча. Якщо покажчик не вказує на 45°, повертайте болт регулювання кута нахилу 45° праворуч плеча, доки покажчик не буде вказувати на 45°.

Для регулювання правого кута нахилу 45° виконайте ту ж саму процедуру, що описана вище.

Fig.52

Графітові щітки слід регулярно знімати та перевіряти. У разі зносу до 3 мм у довжину, провести заміну. Графітові щітки слід тримати чистими та незаблокованими, щоб вони могли заходити в держак. Обидві графітові щітки слід замінити разом. Можна використовувати тільки такі ж щітки.

Fig.53

Для видалення ковпачків щіткотримачів користуйтеся викруткою. Видаліть зношені вугільні щітки, вставте нові та закріпіть ковпачки щіткотримачів.

### Після використання.

- Після використання слід витерти стружку та пил, який налип на інструмент за допомогою ганчірки або чим-небудь подібним. Утримуйте захисний кожух диску чистим відповідно до інструкцій наведених вище в розділі "Захисний кожух диску" Щоб уникнути іржі змазуйте пересувні частини механізму мастилом.
- Перед зберіганням інструмента каретку слід потягнути на себе до упору.

Для того, щоб підтримувати БЕЗПЕКУ та НАДІЙНІСТЬ, ремонт, технічне обслуговування або регулювання мають виконувати уповноважені центри обслуговування "Макіта", де використовуються лише стандартні запчастини "Макіта".

## ДОДАТКОВЕ ПРИЛАДДЯ

### ⚠УВАГА:

- Це приладдя або насадки Makita рекомендується використовувати з вашим інструментом Makita, зазначеним в цій інструкції. Використання будь-якого іншого приладдя або насадок може призвести до серйозних травм.
  - Використовуйте приладдя або насадки Makita виключно за призначенням. Неналежне використання приладдя або насадки може призвести до серйозних травм.
- У разі необхідності, отримати допомогу в більш детальному ознайомленні з оснащенням звертайтеся до місцевого Сервісного центру "Макіта".
- Полотна пили з твердосплавною ріжучою пластиною на кінці

Диски пили для зрізів під кутом 45°	Для гладкого та точного різання різних матеріалів.
Сполучення	Лезо загального призначення для гладкого обдирання, поперечних прорізів та скосів.
Поперечне різання	Для більш гладких зрізів поперек волокон. Чіткі зрізи поперек волокон.
Тонкі поперечні розрізи	Для чистого різання проти зерна без залишків абразиву.
Диски пили для зрізів під кутом 45° у кольорових металах	Для зрізів під кутом 45° в алюмінії, міді, латуні, трубі та інших кольорових металах.

006526

- Напрямна підпора R
- Збірні лещата (горизонтальний затиск)
- Вертикальний затиск
- Торцевий гайковий ключ з шестигранним ключем з іншого кінця
- Тримач
- Мішок для пилу
- Коліно
- Трикутна лінійка

### ПРИМІТКА:

- Деякі елементи списку можуть входити до комплекту інструмента як стандартне приладдя. Вони можуть відрізнятись залежно від країни.

## **POLSKI (Oryginalna instrukcja)**

## **Objaśnienia do widoku ogólnego**

1-1. Kołek oporowy	21-2. Uchwyt klucza	36-1. Uchwyt
2-1. Śruby	22-1. Kołek oporowy	38-1. 52/38° profil wypukły
3-1. Osłona tarczy	23-1. Klucz nasadowy	38-2. 45° profil wypukły
4-1. Osłona tarczy	23-2. Obudowa tarczy	38-3. 45° profil wklęsły
5-1. Śruba	23-3. Pokrywa środkowa	39-1. Narożnik wewnętrzny
5-2. Płyta z nacięciem	23-4. Śruba sześciokątna	39-2. Narożnik zewnętrzny
6-1. Tarcza	23-5. Osłona tarczy	40-1. Prowadnica
6-2. Zęby brzeszczotu	24-1. Obudowa tarczy	40-2. Zacisk
6-3. Płyta z nacięciem	24-2. Klucz nasadowy	40-3. Kłoczek rozporowy
6-4. Cięcie ze skosem lewym	24-3. Śruba sześciokątna	40-4. Kształtownik aluminiowy
6-5. Cięcie proste	24-4. Strzałka	40-5. Kłoczek rozporowy
6-6. Cięcie ze skosem prawym	24-5. Blokada wału	41-1. Kształtownik aluminiowy
7-1. Śruba regulacyjna	25-1. Obudowa tarczy	41-2. Prowadnica
7-2. Podstawa obrotowa	25-2. Strzałka	41-3. Kłoczek rozporowy
8-1. Górna powierzchnia podstawy obrotowej	25-3. Strzałka	41-4. Zacisk poziomy (wyposażenie opcjonalne)
8-2. Powierzchnia tnąca tarczy	25-4. Tarcza	42-1. Nacinaj rowki brzeszczotem
8-3. Prowadnica	26-1. Śruba sześciokątna (lewa)	44-1. Śruba sześciokątna
9-1. Ramię ogranicznika	26-2. Kołnierz zewnętrzny	44-2. Prowadnica
9-2. Śruba regulacyjna	26-3. Tarcza	44-3. Uchwyt
10-1. Podziałka kąta cięcia w poziomie	26-4. Pierścień	45-1. Prowadnica
10-2. Wskaźnik	26-5. Kołnierz wewnętrzny	45-2. Ekierka
10-3. Dźwignia blokady	26-6. Wrzeciono	46-1. Śruba
10-4. Uchwyt	27-1. Klucz nasadowy	46-2. Wskaźnik
11-1. Dźwignia	27-2. Obudowa tarczy	46-3. Podziałka kąta cięcia w poziomie
12-1. Dźwignia	27-3. Pokrywa środkowa	47-1. Dźwignia
12-2. Ramię	27-4. Śruba sześciokątna	47-2. Ramię
12-3. Wskaźnik	27-5. Osłona tarczy	48-1. Śruba regulacyjna kąta 0°
12-4. Podziałka kąta cięcia w pionie	28-1. Dysza odpylania	48-2. Śruba regulacyjna kąta lewego 45°
13-1. Dźwignia	28-2. Worek na pył	49-1. Ekierka
14-1. Wskaźnik	28-3. Łącznik	49-2. Tarcza
14-2. Przycisk zwalniający	29-1. Podpórka	49-3. Górna powierzchnia podstawy obrotowej
14-3. Podziałka kąta cięcia w pionie	29-2. Podstawa obrotowa	50-1. Śruba
15-1. Śruba blokująca	30-1. Prowadnica przesuwna	50-2. Wskaźnik
16-1. Przycisk blokady	30-2. Śruba zaciskowa	50-3. Podziałka kąta cięcia w pionie
16-2. Spust przełącznika	31-1. Prowadnica przesuwna	51-1. Śruba regulacyjna kąta prawego 45°
16-3. Dźwignia	32-1. Prowadnica P	51-2. Śruba regulacyjna kąta lewego 45°
16-4. Otwór na kłódkę	32-2. Wkręty	53-1. Śrubokręt
17-1. Przycisk blokady	33-1. Ramię zacisku	53-2. Pokrywa uchwytu szczotki
17-2. Spust przełącznika	33-2. Pokrętko zacisku	
17-3. Otwór na kłódkę	33-3. Drażek zacisku	
18-1. Przełącznik do lasera	33-4. Śruba	
20-1. Ogniwo suche	33-5. Prowadnica	
21-1. Klucz nasadowy z kluczem sześciokątnym na drugim końcu	34-1. Płyta zacisku	
	34-2. Nakrętka zacisku	
	34-3. Pokrętko zacisku	

# SPECYFIKACJE

Model	LS1018 / LS1018L
Średnica tarczy	255 mm - 260 mm
Grubość tarczy tnącej	1,6 mm - 2,4 mm
Średnica otworu	
Wszystkie kraje pozaeuropejskie	25,4 mm
Kraje europejskie	30 mm
Maks. wydajność cięcia (wys. x szer.) w przypadku tarczy o średnicy 260 mm	

Kąt cięcia w poziomie	Kąt cięcia w pionie		
	45° (w lewo)	0°	45° (w prawo)
0°	50 mm x 310 mm	91 mm x 310 mm	31 mm x 310 mm
45°	50 mm x 220 mm	91 mm x 220 mm	31 mm x 220 mm
60° (w prawo)	-	91 mm x 153 mm	-

Prędkość bez obciążenia (min <sup>-1</sup> )	4 300
Typ laseru (tylko LS1018L)	Czerwony laser 650 nm, < 1mW ( Laser klasy 2 )
Wymiary (dług. x szer. x wys.)	825 mm x 536 mm x 633 mm
Ciężar netto	Wszystkie kraje pozaeuropejskie.....19,8 kg Kraje europejskie.....19,9 kg

## Klasa bezpieczeństwa

- W związku ze stałe prowadzonym przez naszą firmę programem badawczo-rozwojowym, niniejsze specyfikacje mogą ulec zmianom bez wcześniejszego powiadomienia.
- Specyfikacje mogą różnić się w zależności od kraju.
- Waga obliczona zgodnie z procedurą EPTA 01/2003

END222-1

## Symbole

Poniżej pokazano symbole zastosowane na urządzeniu. Przed użyciem należy zapoznać się z ich znaczeniem.



• Przeczytać instrukcję obsługi.



• PODWÓJNA IZOLACJA



• Aby uniknąć obrażeń powodowanych odpryskami, po zakończeniu cięcia głowicę tnącą należy naciskać od góry, aż tarcza przestanie się obracać.



• Gdy wykonujesz cięcia przesuwne, najpierw pociągnij suport całkowicie do oporu do siebie i wciśnij uchwyt do całkowicie obniżonej pozycji, a następnie popchnij suport ku prowadnicy.



• Dłonie i palce należy trzymać z dala od tarczy.



• Ustaw odpowiednio prowadnice przesuwne w bezpiecznej odległości od tarczy i jej osłony.



• Podczas wykonywania cięć skośnych w prawo prowadnica powinna być zawsze zdemontowana. Niestosowanie się do tej zasady może prowadzić do poważnego wypadku.



• Nigdy nie patrz na wiązkę laserową. Wiązka promieni laserowych może uszkodzić wzrok.



• Tylko dla krajów UE  
Nie usuwać sprzętu elektrycznego razem z innymi odpadami gospodarstwa domowego!  
Przestrzegając Europejskiej Dyrektywy 2002/96/EC o odpadach elektrycznych i elektronicznych oraz jej wprowadzenia w życie zgodnie z prawem narodowym, sprzęt elektryczny o zakończonym okresie eksploatacyjnym należy gromadzić oddzielnie i zwracać do organizacji zajmujących się zbieraniem zużytego sprzętu.

ENE006-1

## Przeznaczenie

Narzędzie to przeznaczone jest do dokładnego cięcia prostego i ukośnego elementów drewnianych. Stosując odpowiednie tarcze, można przy jego użyciu również ciąć aluminium.

ENF002-2

## Zasilanie

Narzędzie wolno podłączać tylko do źródeł zasilania o napięciu zgodnym z napięciem podanym na tabliczce znamionowej. Można je zasilac wyłącznie jednofazowym prądem przemiennym. Jest ono podwójnie izolowane, dlatego też można je zasilac z gniazda bez uziemienia.

**Poziom hałas i drgań**

Typowy równoważny poziom dźwięku A określony w oparciu o EN61029:

Poziom ciśnienia akustycznego ( $L_{pA}$ ): 97 dB(A)

Poziom mocy akustycznej ( $L_{WA}$ ): 103 dB(A)

Niepewność (K): 3 dB(A)

**Należy stosować ochraniacze na uszy**

ENG900-1

**Drgania**

Całkowita wartość poziomu drgań (suma wektorów w 3 osiach) określona zgodnie z normą EN61029:

Emisja drgań ( $a_n$ ): 2,5 m/s<sup>2</sup> lub poniżej

Niepewność (K) : 1,5 m/s<sup>2</sup>

ENG901-1

- Deklarowana wartość wytwarzanych drgań została zmierzona zgodnie ze standardową metodą testową i można ją wykorzystać do porównywania narzędzi.
- Deklarowaną wartość wytwarzanych drgań można także wykorzystać we wstępnej ocenie narażenia.

**⚠️ OSTRZEŻENIE:**

- Drgania wytwarzane podczas rzeczywistego użytkowania elektronarzędzia mogą się różnić od wartości deklarowanej, w zależności od sposobu jego użytkowania.
- W oparciu o szacowane narażenie w rzeczywistych warunkach użytkowania należy określić środki bezpieczeństwa w celu ochrony operatora (uwzględniając wszystkie elementy cyklu działania, tj. czas, kiedy narzędzie jest wyłączone i kiedy pracuje na biegu jałowym, a także czas, kiedy jest włączone).

ENH003-13

**Dotyczy tylko krajów europejskich****Deklaracja zgodności UE**

Niniejszym firma Makita Corporation jako odpowiedzialny producent oświadcza, iż opisywane urządzenie marki Makita:

Opis maszyny:

Ukośnica

Nr modelu/Typ: LS1018, LS1018L

są produkowane seryjnie oraz

**jest zgodne z wymogami określonymi w następujących dyrektywach europejskich:**

2006/42/EC

Jest produkowane zgodnie z następującymi normami lub dokumentami normalizacyjnymi:

EN61029

Dokumentacja techniczna przechowywana jest przez naszego autoryzowanego przedstawiciela na Europę, którym jest:

Makita International Europe Ltd.

Michigan Drive, Tongwell,

6.11.2009



000230

Tomoyasu Kato

Dyrektor

Makita Corporation

3-11-8, Sumiyoshi-cho,

Anjo, Aichi, 446-8502, JAPONIA

GEA010-1

## Ogólne zasady bezpieczeństwa obsługi elektronarzędzi

**⚠️ OSTRZEŻENIE** Przeczytaj wszystkie ostrzeżenia i instrukcje. Nie przestrzeganie ich może prowadzić do porażeń prądem, pożarów i/lub poważnych obrażeń ciała.

**Wszystkie ostrzeżenia i instrukcje należy zachować do późniejszego wykorzystania.**

ENB034-6

## DODATKOWE ZASADY BEZPIECZEŃSTWA DOTYCZĄCE NARZĘDZIA

1. **Noś ochraniacze na uszy.**
2. **Nie zbliżaj rąk do obracającej się tarczy. Staraj się nie dotykać ostrzy na krawędzi tarczy. Można się bowiem poważnie skaleczyć.**
3. **Nie uruchamiaj piły bez zamocowanych osłon. Każdorazowo przed użyciem sprawdź, czy osłona prawidłowo się zamyka. Nie uruchamiaj pilarki, jeżeli osłona nie przesuwają się swobodnie i zamyka się z opóźnieniem. Nie wolno w żadnym wypadku przywiązywać osłony lub w inny sposób unieruchamiać jej w pozycji otwartej.**
4. **Nie wykonuj żadnych operacji, trzymając obrabiany element w ręce.** Obrabiany element podczas wszystkich operacji musi być dobrze zamocowany w podstawie obrotowej i prowadnicy za pomocą zacisku. Nigdy nie przytrzymuj przecinanego elementu ręką.
5. **Nie zbliżaj rąk do tarczy.**
6. **Przed usunięciem przeciętego elementu lub zmianą ustawień wyłącz narzędzie i odczekaj, aż tarcza zatrzyma się.**
7. **Przed przystąpieniem do wymiany tarczy lub czynności serwisowych odłącz narzędzie od zasilania.**
8. **Przed przystąpieniem do przenoszenia narzędzia należy zablokować wszystkie**

- ruchome elementy.
9. Kołek oporowy ma zastosowanie wyłącznie przy przenoszeniu lub przechowywaniu urządzenia, nigdy podczas cięcia.
  10. Nie należy używać narzędzia w pobliżu łatwopalnych płynów lub gazów. Praca układu elektrycznego narzędzia w obecności łatwopalnych płynów lub gazów może spowodować wybuch i pożar.
  11. Przed przystąpieniem do pracy sprawdzić dokładnie tarczę pod kątem ewentualnych pęknięć lub uszkodzeń. Należy wymienić popękana lub uszkodzona tarczę.
  12. Używać wyłącznie kołnierzy przeznaczonych do tego urządzenia.
  13. Uważaj, aby nie uszkodzić wałka, kołnierzy (szczególnie powierzchni mocujących) ani śruby. Uszkodzenie tych części może być przyczyną pęknięcia tarczy.
  14. Upewnij się, że podstawa obrotowa jest dobrze zabezpieczona i nie będzie się przesunąć podczas pracy.
  15. Dla swojego bezpieczeństwa, przed przystąpieniem do pracy usuń wióry, drobne kawałki materiału itp. z powierzchni stołu.
  16. Należy unikać cięcia gwoździ. Przed przystąpieniem do pracy sprawdź obrabiany element i usuń z niego wszystkie gwoździe.
  17. Przed włączeniem urządzenia sprawdź, czy blokada wałka została zwolniona.
  18. Upewnij się, że tarcza w swoim najniższym położeniu nie dotyka podstawy obrotowej.
  19. Trzymaj pewnie uchwyt pilarki. Pamiętaj, że piła przesuwa się nieznacznie w górę lub w dół na początku i na końcu cięcia.
  20. Przed włączeniem urządzenia należy upewnić się, czy ostrze nie dotyka obrabianego elementu.
  21. Przed przystąpieniem do cięcia danego elementu pozwól, aby tarcza obracała się przez chwilę bez obciążenia. Zwracaj uwagę na ewentualne drgania lub bicie osiowe, które mogą wskazywać na nieprawidłowe zamocowanie lub niedokładne wyważenie tarczy.
  22. Rozpocznij cięcie, gdy tarcza osiągnie swoją maksymalną prędkość.
  23. Natychmiast przerwij pracę, jeżeli zauważysz jakąkolwiek nieprawidłowość.
  24. Nie próbuj blokować języka spustowego wyłącznika w pozycji ON (włączone).
  25. Zawsze zachowuj czujność, szczególnie podczas powtarzających się, monotonicznych czynności. Nie daj się zwieść pozornemu poczuciu bezpieczeństwa. Tarcze tnące mogą okazać się niezwykle niebezpieczne.
  26. Zawsze używaj wyposażenia zalecanego w niniejszej instrukcji obsługi. Używanie niewłaściwego osprzętu, np. tarczy ściernych, może być przyczyną wypadku.
  27. Nie używaj pilarki do cięcia materiałów innych niż aluminium, drewno lub do nich podobnych.
  28. Podczas cięcia podłączaj piłę do urządzenia zbierającego pył.
  29. Dobierz odpowiednią tarczę do obrabianego materiału.
  30. Podczas wycinania rowków zachowaj ostrożność.
  31. Wymień płytę z nacięciem, gdy zauważysz na niej ślady zużycia.
  32. Nie używaj tarcz tnących wykonanych ze stali szybko tnącej.
  33. Pył powstający w czasie pracy może zawierać substancje chemiczne powodujące nowotwory, powikłania ciąży u kobiet, itp. Oto przykłady takich substancji:
    - ołów zawarty w niektórych farbach oraz
    - arsen i chrom zawarty w impregnowanym drewnie.Stopień narażenia na te substancje zależy od tego, jak często wykonujesz takie prace. Aby zmniejszyć to zagrożenie: pracuj w miejscach dobrze wentylowanych i używaj sprawdzonych zabezpieczeń, takich jak maski przeznaczone do odfiltrowywania mikroskopijnych cząstek.
  34. Aby obniżyć poziom powstającego podczas pracy hałasu, należy zawsze stosować ostre i czyste tarcze.
  35. Operator powinien przejść prawidłowe szkolenie w zakresie używania i regulowania urządzenia.
  36. Należy używać prawidłowo naostrzonych tarcz. Należy przestrzegać maksymalnej prędkości obrotowej zaznaczonej na tarczy.
  37. Kiedy urządzenie pracuje i głowica tnąca nie znajduje się w położeniu spoczynkowym, należy unikać usuwania z obszaru pracy wszelkich pozostałości po cięciu.
  38. Należy stosować tylko tarcze zalecane przez producenta, zgodne z normą EN847-1.
  39. W czasie kontaktu z tarczą (w miarę możliwości, tarcze należy przenosić w uchwycie) i szorstkim materiałem należy nosić rękawice.
  40. W przypadku urządzenia z laserem, nie wolno dokonywać wymiany lasera na inny typ. Naprawy należy przeprowadzać zgodnie z zaleceniami.

## ZACHOWAĆ INSTRUKCJE



# MONTAŻ

## Mocowanie do stołu roboczego

### Rys.1

W przypadku nowego urządzenia uchwyt jest zablokowany w dolnym położeniu za pomocą kołka oporowego. Należy zwolnić kołek oporowy jednocześnie naciskając w dół uchwyt i pociągając za kołek.

### Rys.2

Urządzenie należy przykręcić dwiema śrubami do płaskiej i stabilnej powierzchni, wykorzystując otwory w jego podstawie. Pomoże to zapobiec przewróceniu się i możliwemu zranieniu.

## OPIS DZIAŁANIA

### ⚠OSTRZEŻENIE:

- **Przed przystąpieniem do regulacji lub przeglądu narzędzia upewnić się, że zostało wyłączone i odłączone od zasilania.** Jeśli narzędzie pozostanie włączone lub podłączone do zasilania podczas prac konserwacyjnych, może to spowodować poważne obrażenia ciała w razie przypadkowego uruchomienia narzędzia.

### Oslona tarczy

#### Rys.3

Podczas opuszczania uchwytu osłona tarczy podnosi się automatycznie. Osłona wraca do pierwotnego położenia po zakończeniu cięcia i podniesieniu uchwytu.

### ⚠OSTRZEŻENIE:

- **Nie wolno modyfikować ani demontować osłony tarczy lub sprężyny mocującej osłony.** Tarcza odsłonięta w wyniku modyfikacji osłony może spowodować poważne obrażenia ciała podczas eksploatacji.

Ze względów bezpieczeństwa osłona zabezpieczająca musi być zawsze sprawna. Jakikolwiek nieprawidłowości w jej działaniu należy natychmiast usunąć. Upewnić się, że sprężynowy mechanizm powrotny osłony działa prawidłowo.

### ⚠OSTRZEŻENIE:

- **Nie wolno użytkować narzędzia, jeśli osłona tarczy lub sprężyna są uszkodzone, wadliwe lub zdemontowane.** Użytkowanie narzędzia z uszkodzoną, wadliwą lub zdemontowaną osłoną może spowodować poważne obrażenia ciała.

Jeśli przezroczysta osłona tarczy zabrudzi się albo pokryje pyłem w takim stopniu, że tarcza i przecinany przedmiot nie są dobrze widoczne, należy odłączyć zasilanie narzędzia i starannie wyczyścić osłonę wilgotną ściereczką. Nie wolno stosować rozpuszczalników lub środków czyszczących na bazie benzyny, gdyż może to spowodować uszkodzenie osłony z tworzywa.

Jeśli osłona tarczy zabrudzi się i będzie konieczne jej wyczyszczenie, należy wykonać następujące czynności: Po wyłączeniu i odłączeniu narzędzia od zasilania, użyć dołączonego klucza nasadowego, aby poluzować śrubę przytrzymującą pokrywę środkową. Odkręcić śrubę z łbem sześciokątnym w lewo. Następnie podnieść osłonę tarczy i pokrywę środkową.

### Rys.4

Takie położenie osłony tarczy pozwala na jej dokładniejsze i sprawniejsze wyczyszczenie. Po zakończeniu czyszczenia wykonać powyższe czynności w odwrotnej kolejności i dokręcić śrubę. Nie wolno demontować sprężyny przytrzymującej osłonę tarczy. Jeśli osłona z czasem przebarwi się pod wpływem promieniowania ultrafioletowego, należy skontaktować się z punktem serwisowym narzędzi Makita, aby zamówić nową osłonę. **OSŁONY NIE WOLNO MODYFIKOWAĆ ANI DEMONTOWAĆ.**

## Pozyjonowanie płyty z nacięciem

### Rys.5

#### Rys.6

Urządzenie jest wyposażone w płytę z nacięciem mocowaną w podstawie obrotowej, która minimalizuje tarcie po stronie wyjściowej podczas cięcia. Płyty z nacięciem są wyregulowane fabrycznie tak, aby ostrze płyty nie stykało się z nimi. Przed użyciem narzędzia wyreguluj płyty z nacięciem w następujący sposób:

Najpierw należy wyjąć wtyczkę narzędzia z gniazda zasilającego. Odkręć wszystkie śruby (3 po lewej i po prawej stronie) blokujące płyty z nacięciami. Przykręć je ponownie tylko do takiego stopnia, aby płyty z nacięciami można było łatwo przesunąć ręką. Obniż do oporu uchwyt i wepchnij kołek oporowy, aby zablokować uchwyt w najniższej pozycji. Poluzuj śrubę blokującą pręt przesuwne. Pociągnij do siebie suport wzdłużny do oporu. Wyreguluj płyty z nacięciami tak, aby stykały się z zębami tarczy. Dokręć śruby przednie (niezbyt mocno). Popchnij suport wzdłużny ku prowadnicy do oporu i wyreguluj płyty z nacięciami tak, aby stykały się z zębami tarczy. Dokręć śruby tylne (niezbyt mocno).

Po wyregulowaniu płyt z nacięciami zwolnij kołek oporowy i podnieś uchwyt. Teraz dokręć solidnie wszystkie śruby.

### UWAGA!

- **Po ustawieniu kąta cięcia w pionie należy sprawdzić, czy płyty z nacięciami są prawidłowo ustawione.** Prawidłowe ustawienie tarcz z nacięciami zapewni lepsze podparcie i mniejsze ubytki przecinanego elementu.

## Zachowanie maksymalnej wydajności cięcia

Urządzenie jest fabrycznie ustawione w taki sposób, aby zapewnić maksymalną wydajność cięcia dla tarcz o średnicy 255 mm.

Przed dokonaniem ustawień należy odłączyć zasilanie narzędzia. Zakładając nową tarczę, należy zawsze sprawdzić jej dolne położenie graniczne i w razie

potrzeby skorygować je w następujący sposób:

#### Rys.7

#### Rys.8

Najpierw należy wyjąć wtyczkę narzędzia z gniazda zasilającego. Popchnij do oporu suport wzdłużny do prowadnicy i całkowicie obniż uchwyt. Kluczem sześciokątnym obracaj śrubę regulacyjną, aż krawędź tarczy znajdzie się nieznacznie poniżej górnej powierzchni podstawy obrotowej w punkcie, w którym płaszczyzna czołowa prowadnicy styka się z górną powierzchnią podstawy obrotowej.

Przy wyłączonym urządzeniu obróć ręką tarczę, przytrzymując uchwyt pilarki w skrajnym dolnym położeniu, aby upewnić się, że tarcza nie dotyka żadnej części dolnej podstawy. W razie potrzeby skoryguj nieznacznie ustawienie tarczy.

#### ⚠OSTRZEŻENIE:

- **Po zamontowaniu nowej tarczy (gdy narzędzie nie jest jeszcze podłączone do zasilania) należy sprawdzić, czy tarcza nie styka się z podstawą, gdy uchwyt jest całkowicie opuszczony.** Jeśli tarcza styka się z podstawą, może to spowodować odrzut i być przyczyną poważnych obrażeń ciała.

#### Ramię ogranicznika

#### Rys.9

Dolna pozycja tarczy może być łatwo wyregulowana przy pomocy ramienia ogranicznika. Aby ją wyregulować, należy obrócić ramię ogranicznika w kierunku wskazywanym przez strzałkę, jak pokazano na ilustracji. Dopasuj śrubę regulującą tak, aby po całkowitym obniżeniu uchwytu tarcza zatrzymała się w żądanej pozycji.

#### Regulacja kąta cięcia w poziomie

#### Rys.10

Poluzuj uchwyt, obracając go w lewo. Obróć podstawę obrotową, naciskając jednocześnie w dół dźwignię blokady. Po przesunięciu uchwytu do położenia, w którym wskaźnik pokazuje na podziałce kąta cięcia w poziomie żądany kąt, mocno dokręć uchwyt w prawo.

#### ⚠UWAGA:

- Po zmianie kąta cięcia w poziomie, zawsze zablokuj podstawę obrotową dokręcając mocno uchwyt.

#### UWAGA!

- Chcąc zmienić położenie podstawy obrotowej koniecznie podnieś do oporu uchwyt pilarki.

#### Regulacja kąta cięcia w pionie

#### Rys.11

Aby zmienić ustawienie kąta cięcia w pionie, poluzuj dźwignię z tyłu urządzenia obracając ją w kierunku przeciwnym do ruchu wskazówek zegara. Odblokuj ramię, popychając dość mocno uchwyt w kierunku, w który chcesz przechylić narzędzie.

#### UWAGA:

- Dźwignię można ustawić pod różnymi kątami, usuwając śrubę mocującą i blokując dźwignię pod żądanym kątem.

#### Rys.12

Przechylaj tarczę, dopóki wskaźnik nie pokaże żądanego kąta na skali. Następnie dokręć mocno dźwignię, aby zablokować ramię.

#### Rys.13

Podczas przechylania suportu w prawo przechyl go lekko w lewo po uprzednim poluzowaniu dźwigni i wciśnij przycisk zwalniający. Gdy przycisk zwalniający jest wciśnięty, przechyl suport w prawo.

#### Rys.14

Przechylaj tarczę, dopóki wskaźnik nie pokaże żądanego kąta na skali. Następnie dokręć mocno dźwignię, aby zablokować ramię.

- Podczas zmiany kąta cięcia w pionie upewnij się, że płyty z nacięciami są ustawione w prawidłowej pozycji - zgodnie z zaleceniami zawartymi w rozdziale „Pozycjonowanie płyty z nacięciem”.

#### ⚠UWAGA:

- Po zmianie ustawienia kąta cięcia w pionie pamiętaj, aby zablokować ramię dokręcając dźwignię w kierunku zgodnym z ruchem wskazówek zegara.

#### UWAGA!

- Przy pochylaniu tarczy tnącej sprawdzić, czy uchwyt jest całkowicie podniesiony.
- Podczas zmiany kąta cięcia w pionie upewnij się, że płyty z nacięciami są ustawione w prawidłowej pozycji - zgodnie z zaleceniami zawartymi w rozdziale „Pozycjonowanie płyty z nacięciem”.

#### Regulacja blokady przesuwu

#### Rys.15

Aby zablokować pręt przesuwny, przekręć śrubę blokującą zgodnie z ruchem wskazówek zegara.

#### Włączenie

#### Kraje europejskie

#### Rys.16

Urządzenie wyposażone jest w przycisk blokady załączenia, który zapobiega przypadkowemu pociągnięciu za język spustowy przełącznika. Aby uruchomić urządzenie, przesunij dźwignię w lewo, naciśnij przycisk blokady, a następnie pociągnij za spust. W celu zatrzymania urządzenia wystarczy zwolnić język spustowy przełącznika.

#### ⚠OSTRZEŻENIE:

- **Przed podłączeniem urządzenia do zasilania należy zawsze sprawdzić, czy przełącznik spustowy działa prawidłowo i po zwolnieniu wraca do położenia „OFF” („WYŁ.”). Nie wolno silnie ciągnąć za przełącznik spustowy bez naciśnięcia przycisku zwalniającego. Może to**

### spowodować uszkodzenie przełącznika.

Użytkowanie narzędzia, w którym przełącznik nie działa prawidłowo może prowadzić do utraty panowania i być przyczyną poważnych obrażeń ciała.

W języku spustowym przełącznika znajduje się otwór na kłódkę umożliwiającą zablokowanie narzędzia.

### Wszystkie kraje pozaeuropejskie

#### Rys.17

Urządzenie wyposażone jest w przycisk blokady załączenia, który zapobiega przypadkowemu pociągnięciu za język spustowy przełącznika. Aby uruchomić urządzenie, naciśnij przycisk blokady i pociągnij za spust. W celu zatrzymania urządzenia wystarczy zwolnić język spustowy przełącznika.

#### ⚠️ OSTRZEŻENIE:

- **Przed podłączeniem urządzenia do zasilania należy zawsze sprawdzić, czy przełącznik spustowy działa prawidłowo i po zwolnieniu wraca do położenia „OFF” („WYŁ.”). Nie wolno silnie ciągnąć za przełącznik spustowy bez naciśnięcia przycisku zwalniającego. Może to spowodować uszkodzenie przełącznika.** Użytkowanie narzędzia, w którym przełącznik nie działa prawidłowo może prowadzić do utraty panowania i być przyczyną poważnych obrażeń ciała.

W języku spustowym przełącznika znajduje się otwór na kłódkę umożliwiającą zablokowanie narzędzia.

#### ⚠️ OSTRZEŻENIE:

- **Nie wolno stosować blokady z pałąkiem lub linką o średnicy mniejszej niż 6,35 mm.** Mniejsza średnica pałąka lub linki może spowodować nieprawidłowe zablokowanie narzędzia w położeniu wyłączenia i umożliwić przypadkowe uruchomienie, co może być przyczyną poważnych obrażeń ciała.
- **NIE WOLNO użytkować narzędzia, którego przełącznik spustowy działa nieprawidłowo.** Narzędzie z niesprawnym przełącznikiem stanowi Poważne Zagrożenie i należy je naprawić przed ponownym użyciem; nieprzestrzeganie tego zalecenia grozi poważnymi obrażeniami ciała.
- Ze względów bezpieczeństwa urządzenie jest wyposażone w przycisk blokady, który zapobiega przypadkowemu uruchomieniu narzędzia. **NIE WOLNO** używać narzędzia, jeśli można je uruchomić tylko przez pociągnięcie za przełącznik spustowy wyłącznika bez uprzedniego naciśnięcia przycisku blokady. Niesprawy przełącznik może spowodować przypadkowe uruchomienie narzędzia i być przyczyną poważnych obrażeń ciała. PRZED dalszym użytkowaniem urządzenia należy przekazać je do punktu serwisowego narzędzi Makita w celu naprawy.

- **NIE WOLNO** modyfikować przycisku blokady przez zaklejenie taśmą lub w inny sposób. Przełącznik ze zmodyfikowanym przyciskiem blokady może spowodować przypadkowe uruchomienie narzędzia i być przyczyną poważnych obrażeń ciała.

### Funkcja elektroniczna

#### Funkcja miękkiego rozruchu

- Funkcja ta pozwala na płynne uruchomienie narzędzia poprzez ograniczenie momentu obrotowego podczas rozruchu.

### Działanie wiązki laserowej

#### Tylko w przypadku modelu LS1018L

#### UWAGA:

- Przed pierwszym użyciem należy włożyć dwie baterie AA w miejsce przeznaczone na baterie. Więcej informacji na temat montażu można znaleźć w punkcie „Wymiana suchych ogniw lasera”.

#### ⚠️ UWAGA:

- Pamiętaj, aby wyłączyć laser na czas przerwy w eksploatacji

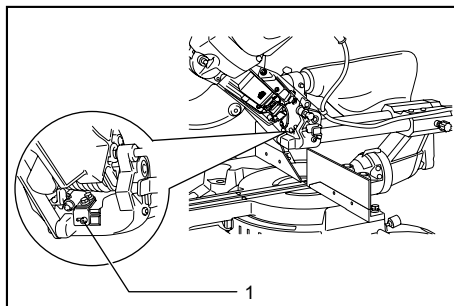
#### Rys.18

#### ⚠️ UWAGA:

- Nigdy nie patrz na wiązkę laserową. Wiązka promieni laserowych może uszkodzić wzrok.
- **PROMIENIOWANIE LASEROWE, NIE PATRZEĆ NA WIĄZKĘ, PRODUKT LASEROWY KLASY 2.**
- Pamiętaj, aby przed przesunięciem wiązki lasera lub wykonaniem konserwacyjnej regulacji odłączyć zasilanie urządzenia.

Aby włączyć wiązkę lasera, należy wcisnąć górną część (I) przełącznika. Aby wyłączyć wiązkę lasera, naciśnij dolną część (O) przełącznika.

Wiązkę lasera można przesuwając na lewo lub na prawo od tarczy, odkręcając śrubę mocującą obudowę lasera i przesuwając ją w żądanym kierunku. Po przesunięciu należy dokręcić śrubę.



1. Śruba mocująca obudowę lasera

010473

Strumień laserowy jest regulowany fabrycznie, tak więc znajduje się około 1 mm od powierzchni bocznej ostrza

(pozycja cięcia).

#### **UWAGA:**

- Gdy wiązka lasera jest niewyraźna lub słabo widoczna ze względu na bezpośrednie nasłonecznienie, należy przenieść obszar roboczy w miejsce, które jest mniej nasłonecznione.

### **Wymiana suchych ogniwi lasera**

#### **Rys.19**

#### **Rys.20**

Zdejmij pokrywę suchych ogniwi lasera, przesuwając ją i jednocześnie dociskając. Wyjmij stare suche ogniwa i włóż nowe zgodnie z rysunkiem. Po wymianie ponownie załóż pokrywę.

### **Czyszczenie soczewki lasera**

Jeżeli soczewka lasera zabrudzi się albo pokryje pyłem w takim stopniu, że strumień lasera nie będzie dobrze widoczny, wyciągnij wtyczkę kabla zasilającego pilarki z gniazdka i starannie wyczyść soczewkę miękką, wilgotną ściereczką. Do czyszczenia soczewki nie używaj rozpuszczalników ani oczyszczaczy na bazie nafty.

#### **UWAGA:**

- Gdy wiązka laserowa jest przyćmiona i prawie lub całkowicie niewidoczna z powodu bezpośredniego światła słonecznego na zewnątrz lub w pomieszczeniu, należy przemieścić stanowisko pracy w miejsce niewystawione na bezpośrednie działanie promieniowania słonecznego.

## **MONTAŻ**

#### **⚠OSTRZEŻENIE:**

- **Przed przystąpieniem do czynności konserwacyjnych sprawdzić, czy narzędzie zostało wyłączone i odłączone od zasilania.** Jeśli narzędzie pozostanie włączone lub podłączone do zasilania podczas prac konserwacyjnych może to spowodować poważne obrażenia ciała.

### **Przechowywanie klucza nasadowego z kluczem sześciokątnym na drugim końcu**

#### **Rys.21**

Klucz nasadowy należy przechowywać w sposób pokazany na ilustracji. Gdy konieczne jest użycie klucza nasadowego, można go wyjąć z odpowiedniego uchwytu. Po użyciu klucza należy go umieścić z powrotem w uchwycie.

### **Zakładanie lub zdejmowanie tarczy**

#### **⚠OSTRZEŻENIE:**

- **Przed przystąpieniem do czynności konserwacyjnych sprawdzić, czy narzędzie zostało wyłączone i odłączone od zasilania.**

Przypadkowe uruchomienie narzędzia może spowodować poważne obrażenia ciała.

- **Do zakładania lub zdejmowania tarczy używać tylko dołączonego klucza nasadowego firmy Makita.** Zastosowanie innego klucza może spowodować nadmierne lub niewystarczające dokręcenie śruby mocującej i być przyczyną poważnych obrażeń ciała.

#### **Rys.22**

Zablokuj uchwyt w podniesionej pozycji, wypychając kolek oporowy.

#### **Rys.23**

Aby zdjąć tarczę, poluzuj kluczem nasadowym śrubę sześciokątną mocującą pokrywę środkową, obracając ją w kierunku odwrotnym do ruchu wskazówek zegara. Podnieś osłonę tarczy i pokrywę środkową.

#### **Rys.24**

Naciśnij blokadę wałka, aby tarcza nie mogła się obracać, i odkręcaj śrubę sześciokątną za pomocą klucza nasadowego zgodnie z ruchem wskazówek zegara. Następnie wyciągnij śrubę sześciokątną i ściągnij kołnierz zewnętrzny oraz tarczę.

#### **UWAGA:**

- Jeśli był demontowany kołnierz wewnętrzny, należy pamiętać, aby zamontować go na trzpieniu obrotowym z występem skierowanym w kierunku przeciwnym do tarczy. Jeśli kołnierz wewnętrzny zostanie zamontowany nieprawidłowo, będzie on zaczepiał o narzędzie.

#### **⚠OSTRZEŻENIE:**

- **Przed umieszczeniem tarczy należy zawsze sprawdzić, czy na trzpieniu obrotowym pomiędzy kołnierzem wewnętrznym i zewnętrznym znajduje się pierścień odpowiedni do wybranego rodzaju tarczy.** Zastosowanie niewłaściwego pierścienia na trzpieniu obrotowym może być przyczyną nieprawidłowego zamocowania tarczy, powodując przemieszczenie tarczy i silne drgania, prowadzące do utraty panowania nad narzędziem podczas pracy i do poważnych obrażeń ciała.

#### **Rys.25**

Aby zamontować tarczę, nałóż ją na trzpień obrotowy, upewniając się, czy kierunek strzałki na powierzchni tarczy jest zgodny z kierunkiem strzałki na jej obudowie. Załóż kołnierz i śrubę sześciokątną, a następnie dokręć ją do oporu, przeciwnie do ruchu wskazówek zegara, za pomocą klucza nasadowego, naciskając równocześnie blokadę wałka.

### **Wszystkie kraje pozaeuropejskie**

#### **Rys.26**

#### **⚠OSTRZEŻENIE:**

- Czarny pierścień o średnicy zewnętrznej wynoszącej 25 mm i srebrny pierścień o średnicy

zewnętrznej wynoszącej 25,4 mm są zainstalowane fabrycznie w taki sposób, jak pokazano na ilustracji. Gdy używasz ostrza o średnicy otworu wynoszącej 25 mm, zastąp srebrny pierścień czarnym. **Przed umieszczeniem tarczy należy zawsze sprawdzić, czy na trzpieniu obrotowym pomiędzy kołnierzem wewnętrznym i zewnętrznym znajduje się pierścień odpowiedni do wybranego rodzaju tarczy.** Zastosowanie niewłaściwego pierścienia na trzpieniu obrotowym może być przyczyną nieprawidłowego zamocowania tarczy, powodując przesunięcia tarczy i silne drgania, prowadzące do utraty kontroli nad narzędziem podczas pracy i do poważnych obrażeń.

#### Kraje europejskie

#### ⚠UWAGA:

- Między kołnierzem wewnętrznym i zewnętrznym fabrycznie montowany jest pierścień o średnicy zewnętrznej 30 mm.

Załóż kołnierz zewnętrzny i śrubę sześciokątną, a następnie dokręć ją do oporu, przeciwnie do ruchu wskazówek zegara, za pomocą klucza nasadowego, naciskając równocześnie blokadę wałka.

#### Rys.27

Oslonę tarczy i pokrywę środkową ustawić w pierwotnym położeniu. Następnie dokręcić w prawo śrubę sześciokątną, mocującą pokrywę środkową. Zwolnić uchwyt z podniesionej pozycji, pociągając za kolek опорowy. Opuścić uchwyt, aby upewnić się, że osłona tarczy prawidłowo otwiera się i zamyka. Przed rozpoczęciem cięcia należy sprawdzić, czy blokada wałka jest zwolniona.

#### Worek na pył (wyposażenie dodatkowe)

#### Rys.28

Stosowanie worka na pył pozwala na czyste cięcie i ułatwia gromadzenie pyłu. Worek mocuje się na dyszy odpylania.

Kiedy worek zapełni się w przybliżeniu w połowie, zdejmij go z urządzenia i wyciągnij łącznik. Opróżnij worek i lekko go wytrzep, aby usunąć cząstki pyłu przylegające do powierzchni wewnętrznych, gdyż mogą pogarszać skuteczność odbierania pyłu.

#### UWAGA:

Po podłączeniu do piły odkurzacza, praca jest wydajniejsza i czystsza.

#### Mocowanie obrabianych elementów

#### ⚠OSTRZEŻENIE:

- **Należy zawsze pamiętać, aby prawidłowo przymocować przecinany element przy użyciu zacisku lub ograniczników zwieńczeń.** Nieprzestrzeganie tego zalecenia może spowodować poważne obrażenia lub

uszkodzenia narzędzia i elementu.

- **Po zakończeniu cięcia nie unosić tarczy, dopóki całkowicie się nie zatrzyma.** Podniesienie wirującej tarczy może być przyczyną poważnych obrażeń i może uszkodzić przecinany element.
- **Podczas przecinania elementu dłuższego od podstawy piły należy podeprzeć go na całej długości poza podstawą i utrzymywać na tej samej wysokości na całej długości.** Prawidłowe podparcie przecinanego elementu pozwoli uniknąć zakleszczenia tarczy i ewentualnego odrzutu, który może być przyczyną poważnych obrażeń ciała. Nie wystarczy zastosowanie zacisku pionowego i/lub zacisku poziomego do przytrzymania elementu. Elementy wykonane z cienkiego materiału mają tendencję do wyginania się. Element należy podeprzeć na całej długości, aby uniknąć zakleszczenia tarczy i ewentualnego ODRZUTU.

#### Rys.29

#### Ustawienie prowadnic (PROWADNICE RUCHOME, tj. prowadnice górne i dolne)

#### Rys.30

#### ⚠OSTRZEŻENIE:

- Przed użyciem narzędzia upewnij się, że prowadnica przesuwana jest solidnie zamocowana.
- **Przed rozpoczęciem cięcia pod kątem w pionie należy sprawdzić, czy żadna część narzędzia, zwłaszcza tarcza, nie styka się z górnymi i dolnymi prowadnicami przy całkowitym opuszczeniu i podniesieniu uchwytu w dowolnym położeniu oraz przy przesuwaniu suportu wzdłużnego w całym zakresie jego ruchu.** Jeśli narzędzie lub tarcza zetkną się z prowadnicą, może to spowodować odrzut lub nieoczekiwany ruch materiału, co może być przyczyną poważnych obrażeń ciała.

#### Rys.31

#### ⚠UWAGA:

- W przypadku cięć pod kątem, przesunij prowadnicę przesuwaną w lewo i zamocuj zgodnie z rysunkiem. W przeciwnym razie prowadnica będzie dotykać tarczy lub obrabianego elementu, grożąc operatorowi poważnymi obrażeniami ciała.

Urządzenie posiada przesuwaną prowadnicę, którą należy ustawić zgodnie z rysunkiem.

Jednak podczas wykonywania cięcia pod kątem nachylnym w lewo, należy ją ustawić w położeniu lewym, zgodnie z rysunkiem, jeśli dotyka jej głowica narzędzia.

Po zakończeniu cięcia pod kątem pamiętaj, aby ustawić prowadnicę przesuwaną w pierwotnej pozycji i mocno ją przykręcić śrubą dociskową.

## Prowadnica P

### ⚠OSTRZEŻENIE:

- Przed użyciem narzędzia upewnij się, że prowadnica R jest solidnie zamocowana.
- Przed przystąpieniem do cięcia pod kątem przy nachyleniu w prawo należy zdjąć prowadnicę R, aby nie dotykała tarczy ani części narzędzia, grożąc operatorowi poważnymi obrażeniami ciała.

### Rys.32

Prowadnicę R należy zdjąć po prawej stronie prowadnicy wzdłużnej. W tym celu należy zdjąć prowadnicę R, odkręcając mocującą ją śrubę i wyciągając ją. Przy montażu należy powtórzyć procedurę demontażu w odwrotnej kolejności.

Po zakończeniu cięcia pod kątem pamiętaj, aby ustawić prowadnicę R w pierwotnej pozycji i mocno ją przykręcić śrubą dociskową.

## Zacisk pionowy

### Rys.33

Zacisk pionowy można zamocować z lewej lub prawej strony prowadnicy. Włóż drążek zacisku w otwór w prowadnicy lub zestawu do mocowania i dokręć śrubę z tyłu prowadnicy, aby go zablokować.

Ustawienie ramienia zacisku dostosuj do grubości i kształtu obrabianego elementu i zablokuj je w tym położeniu dokręcając śrubę. Jeżeli śruba mocująca ramię zacisku dotyka prowadnicy, wkręć ją z drugiej strony ramienia. Upewnij się, że żadna część narzędzia nie styka się z zaciskiem podczas opuszczania do oporu uchwytu i ciągnięcia lub pchania suportu wzdłużnego. Jeżeli jakaś część dotyka zacisku, zmień ustawienie ramienia zacisku.

Docisnij płasko obrabiany element do prowadnicy i podstawy obrotowej. Ustaw element w wybranej pozycji do cięcia i unieruchom go, dokręcając mocno śrubę zacisku.

### ⚠OSTRZEŻENIE:

- **Przecinany element powinien być mocno umocowany zaciskiem pomiędzy podstawą obrotową a prowadnicą.** Jeśli element nie jest prawidłowo umocowany, materiał może przemieścić się podczas cięcia, powodując uszkodzenie tarczy, odrzucenie materiału i utratę panowania, co może być przyczyną poważnych obrażeń ciała.

## Zacisk poziomy (wyposażenie opcjonalne)

### Rys.34

Zacisk poziomy można zamocować w dwóch położeniach z lewej lub prawej strony podstawy. W przypadku cięcia w poziomie pod kątem 10° lub większym, zacisk poziomy należy zamocować po przeciwnej stronie względem kierunku, w którym będzie się obracać podstawa obrotowa.

### Rys.35

Obrót nakrętki zaciskowej w lewo zwalnia zacisk, który można szybko przesuwac w obu kierunkach. Aby przytrzymać przecinany element, należy wcisnąć pokrętko zacisku do przodu, aż płytka zaciskowa dotknie elementu, po czym przekręcić nakrętkę zaciskową w prawo. Następnie przekręcić pokrętko zacisku w prawo, aby umocować przecinany element.

Maksymalna szerokość elementu, jaki można zamocować w zacisku poziomym, wynosi 215 mm.

Podczas montowania zacisku poziomego po prawej stronie podstawy, do lepszego zablokowania obrabianego elementu użyj również prowadnicy P. Sposób montażu prowadnicy P opisano we wcześniejszym rozdziale "Prowadnica P".

### ⚠OSTRZEŻENIE:

- **Obracać nakrętkę zacisku do momentu prawidłowego zamocowania przecinanego elementu.** Jeśli element nie zostanie prawidłowo zamocowany, materiał może przemieścić się podczas cięcia, powodując uszkodzenie tarczy, odrzucenie materiału i utratę panowania nad elementem, co może być przyczyną poważnych obrażeń ciała.
- Podczas cięcia opartych o prowadnicę elementów o niewielkiej grubości, takich jak listwy przypodłogowe, należy zawsze stosować zacisk poziomy.

## Uchwyt

### Rys.36

Uchwyt można zamontować na dowolnym boku - umożliwiają one wygodne przytrzymywanie obrabianych elementów w poziomie. Wsuń do oporu drążki uchwytu w otwory w podstawie. Następnie zamocuj uchwyty śrubami.

### ⚠OSTRZEŻENIE:

- **Długie przecinane elementy należy zawsze podprzeć, aby były na jednym poziomie z górną powierzchnią podstawy obrotowej, co zapewnia precyzyjne cięcie i zapobiega utracie panowania nad narzędziem.** Prawidłowe podparcie przecinanego elementu pozwoli również uniknąć zakleszczenia tarczy i ewentualnego odrzutu, który może być przyczyną poważnych obrażeń ciała.

## DZIAŁANIE

### UWAGA!

- Przed przystąpieniem do pracy koniecznie zwołnij uchwyt pilarki z dolnej pozycji, wyciągając kolek oporowy.
- Podczas cięcia nie wywieraj nadmiernego nacisku na uchwyt. Zbyt duża siła może spowodować przeciążenie silnika i zmniejszenie wydajności cięcia. Dociskaj uchwyt tylko z taką siłą, jaka jest

potrzebna do równego cięcia bez znaczącego obniżenia prędkości obrotowej tarczy.

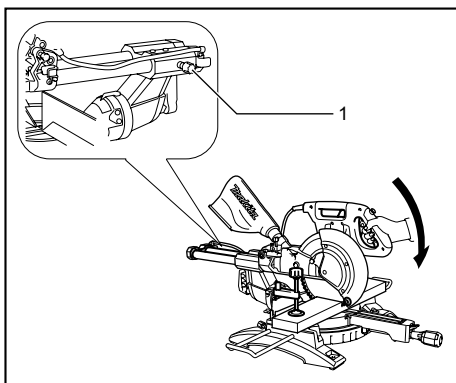
- Aby wykonać cięcie, delikatnie dociśnij do dołu uchwyt pilarki. Jeżeli uchwyt zostanie zbyt mocno dociśnięty do dołu lub wywarta zostanie siła poprzeczna, tarcza zacznie drgać, pozostawiając znak (nacięcie) na obrabianym elemencie i pogorszy się dokładność cięcia.
- Podczas cięcia przesuwne delikatnie popychaj suport wzdłużny ku prowadnicy, nie zatrzymując go. Jeżeli suport zostanie zatrzymany podczas cięcia, na obrabianym elemencie pozostanie znak, a precyzja cięcia będzie gorsza.

### ⚠OSTRZEŻENIE:

- **Przed włączeniem narzędzia należy sprawdzić, czy tarcza nie styka się z przecinanym elementem itp.**

Obracanie narzędzia, gdy tarcza dotyka elementu, może spowodować odrzut i być przyczyną poważnych obrażeń ciała.

#### 1. Cięcie proste (cięcie małych elementów)



#### 1. Śruba blokująca

011409

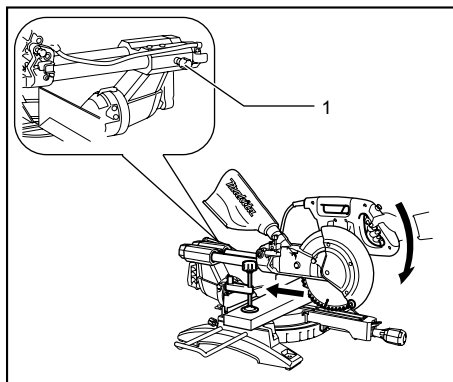
Elementy o wysokości do 91 mm i szerokości do 70 mm można ciąć w następujący sposób.

Popchnij suport wzdłużny do oporu ku prowadnicy i dokręć śrubę blokującą w kierunku zgodnym z ruchem wskazówek zegara, aby go zablokować. Przymocuj prawidłowo przecinany element przy użyciu odpowiedniego zacisku. Włącz narzędzie, sprawdzając, czy tarcza niczego nie dotyka i poczekać przed jej opuszczeniem, aż osiągnie pełną prędkość obrotową. Następnie powoli opuszczaj uchwyt piły do skrajnego dolnego położenia, aby rozpocząć cięcie elementu. Po zakończeniu cięcia wyłącz urządzenie i przed podniesieniem tarczy do skrajnego górnego położenia ZACZEKAJ, AŻ TARCZA CAŁKOWICIE SIĘ ZATRZYMA.

### ⚠OSTRZEŻENIE:

- **Mocno dokręć pokrętkę w prawo, aby suport wzdłużny nie przesunął się podczas pracy.** Niewłaściwe dokręcenie pokrętki może spowodować odrzut, mogący być przyczyną poważnych obrażeń ciała.

#### 2. Cięcie przesuwne (cięcie szerokich elementów)



#### 1. Śruba blokująca

011410

Odkręć śrubę blokującą w kierunku przeciwnym do ruchu wskazówek zegara, aby suport mógł się swobodnie poruszać. Przymocuj przecinany element przy użyciu odpowiedniego zacisku. Pociągnij do siebie suport wzdłużny do oporu. Włącz narzędzie i przed opuszczeniem tarczy poczekaj, aż osiągnie maksymalną prędkość obrotową. Naciśnij uchwyt i POCCHNIJ SUPORT WZDŁUŻNY KU PROWADNICY I WZDŁUŻ PRZECINANEGO ELEMENTU. Po zakończeniu cięcia wyłącz urządzenie i przed podniesieniem tarczy do skrajnego górnego położenia ZACZEKAJ, AŻ TARCZA CAŁKOWICIE SIĘ ZATRZYMA.

### ⚠OSTRZEŻENIE:

- **Przy cięciu przesuwne najpierw należy przyciągnąć do siebie suport wzdłużny i dociśnąć uchwyt do oporu w dół, a następnie popchnąć suport w stronę prowadnicy. Nie wolno rozpoczynać cięcia, gdy suport wzdłużny nie jest całkowicie przyciągnięty.** W przypadku cięcia przesuwne, gdy suport wzdłużny nie jest całkowicie przyciągnięty do operatora, może wystąpić nieoczekiwany odrzut, co może być powodem poważnych obrażeń ciała.
- **Nie wolno ciąć z przesunięciem, przyciągając suport wzdłużny do siebie.** Przyciąganie suportu do siebie podczas cięcia może spowodować niespodziewany odrzut, będący przyczyną poważnych obrażeń ciała.

- Nie wolno ciąć z przesunięciem, gdy uchwyt jest zablokowany w obniżonym położeniu.
  - **Nie wolno odkręcać śruby blokującej suport wzdłużny, gdy tarcza obraca się.** Suport poluzowany w trakcie cięcia może spowodować nieoczekiwany odrzut, będący przyczyną poważnych obrażeń ciała.
- 3. Cięcie pod kątem w poziomie**  
Zapoznaj się z wcześniejszymi objaśnieniami w punkcie zatytułowanym „Regulacja kąta cięcia w poziomie”.
- 4. Cięcie pod kątem w pionie**

#### Rys.37

Poluzuj dźwignię i przechyl tarczę pilarki, aby ustawić wybrany kąt cięcia (Zapoznaj się z wcześniejszymi objaśnieniami w punkcie zatytułowanym „Regulacja kąta cięcia w pionie”). Koniecznie dokręć ponownie dźwignię, aby zablokować ustawienie wybranego kąta skosu. Zamocuj obrabiany element w zacisku. Upewnij się, że suport jest całkowicie odciągnięty do tyłu, ku operatorowi. Włącz pilarkę i zanim opuścisz ją, odczekaj, aż tarcza osiągnie swoją maksymalną prędkość obrotową. Następnie powoli obniż uchwyt do najniższego położenia, wywierając nacisk równoległe do tarczy i popchnij suport ku prowadnicy, aby przeciąć element. Po zakończeniu cięcia wyłącz urządzenie i ZACZEKAJ, AŻ TARCZA CAŁKOWICIE SIĘ ZATRZYMA i dopiero wówczas unieś tarczę całkowicie do góry.

#### ⚠ OSTRZEŻENIE:

- **Po ustawieniu tarczy do cięcia pod kątem w pionie, przed uruchomieniem narzędzia należy sprawdzić, czy suport i tarcza swobodnie poruszają się na całej długości przewidywanego cięcia.** Napotkanie na przeszkodę podczas ruchu suportu lub tarczy może spowodować odrzut będący przyczyną poważnych obrażeń ciała.
- **Podczas cięcia pod kątem w pionie należy uważać, aby ręce nie znalazły się na torze ruchu tarczy.** Kąt ustawienia tarczy może zmylić operatora co do faktycznej trasy ruchu tarczy podczas cięcia; zetknięcie rąk z tarczą może być przyczyną poważnych obrażeń ciała.
- **Nie wolno podnosić tarczy, dopóki całkowicie się nie zatrzyma.** Podczas cięcia pod kątem w pionie, odcięty kawałek elementu może oprzeć się o tarczę. Jeśli tarcza zostanie uniesiona, gdy jeszcze się obraca, odcięty kawałek może zostać odrzucony przez tarczę, ulegając rozerwaniu, co może być przyczyną poważnych obrażeń ciała.

#### UWAGA!

- Podczas naciskania uchwytu w dół, należy wywierać nacisk równoległe do tarczy. Jeżeli nacisk będzie wywierany prostopadle do podstawy obrotowej albo kierunek nacisku zmieni się podczas cięcia, cięcie będzie mniej dokładne.
- Przed rozpoczęciem cięcia pod kątem w pionie może być konieczne ustawienie górnej i dolnej prowadnicy. Więcej informacji można znaleźć w punkcie „Ustawienie prowadnicy”.

#### ⚠ UWAGA:

- Zawsze zdejmuj prowadnicę R, aby nie kolidowała z żadną częścią suportu wzdłużnego podczas cięć pod kątem przy nachyleniu w prawo.

#### 5. Cięcie złożone

Cięcie złożone polega na równoczesnym cięciu elementu pod kątem w pionie i w poziomie. Cięcia złożone można wykonywać dla kątów pokazanych w poniższej tabeli.

Kąt cięcia w poziomie	Kąt cięcia w pionie
0° - 45° w lewo i w prawo	0° - 45° w lewo i w prawo

009713

Przed przystąpieniem do wykonywania cięcia złożonego zapoznaj się z punktami „Cięcie proste”, „Cięcie pod kątem w poziomie” i „Cięcie pod kątem w pionie”.

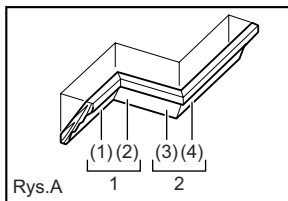
#### 6. Profile wypukłe i wklęsłe

Profile wypukłe i wklęsłe mogą być wycinane przy pomocy piły grzbietnicowej z profilami ułożonymi płasko na podstawie obrotowej.

Istnieją dwa typy profili wypukłych i jeden typ profilu wklęsłego: profil wypukły do kąta ściany 52/38°, profil wypukły do kąta ściany 45° oraz profil wklęsły do kąta ściany 45°. Patrz ilustracje.

#### Rys.38

Istnieją połączenia do profili wypukłych i wklęsłych, które są wykonane tak, aby pasowały do narożników „wewnętrznych” 90° ((1) i (2) pokazanych na rys. A) oraz „zewnątrznych” 90° ((3) i (4) na rys. A).



Rys.A

001556

1. Narożnik wewnętrzny
2. Narożnik zewnętrzny



## Rys.39

### Pomiary

Zmierz długość ściany i ustaw obrabiany element na stole, aby przyciąć krawędź stykającą się ze ścianą na żadaną długość. Zawsze się upewnij, że długość ciętego elementu **z tyłu** odpowiada długości ściany. Dostosuj długość cięcia do kąta cięcia. Zawsze używaj kilku elementów do cięć testowych, aby sprawdzić kąt piły.

Podczas cięcia profili wypukłych i wklęsłych zawsze ustaw kąt cięcia w pionie oraz kąt cięcia w poziomie tak, jak pokazano w tabeli (A) i ustaw profile na powierzchni górnej podstawy piły tak, jak pokazano w tabeli (B).

### W przypadku lewego cięcia pionowego pod kątem

Tabela (A)

	Pozycja profilu na rys. A	Kąt cięcia w pionie		Kąt cięcia w poziomie	
		Typ 52/38°	Typ 45°	Typ 52/38°	Typ 45°
Do narożnika wewnętrznego	(1)	Lewy 33,9°	Lewy 30°	Prawy 31,6°	Prawy 35,3°
	(2)			Prawy 31,6°	Prawy 35,3°
Do narożnika zewnętrznego	(3)			Prawy 31,6°	Prawy 35,3°
	(4)			Prawy 31,6°	Prawy 35,3°

006361

Tabela (B)

	Pozycja profilu na rys. A	Krawędź profilu przyłożona do prowadnicy	Skończony element
Do narożnika wewnętrznego	(1)	Krawędź stykowa sufitu powinna się znajdować przy prowadnicy.	Skończony element znajdzie się po lewej stronie tarczy.
	(2)	Krawędź stykowa ściany powinna się znajdować przy prowadnicy.	
Do narożnika zewnętrznego	(3)	Krawędź stykowa sufitu powinna się znajdować przy prowadnicy.	Skończony element znajdzie się po prawej stronie tarczy.
	(4)	Krawędź stykowa ściany powinna się znajdować przy prowadnicy.	

006362

### Przykład:

W przypadku cięcia profilu wypukłego typu 52/38° dla pozycji (1) na rys. A:

- Przechyl i zablokuj ustawienie kąta cięcia w pionie na 33,9° PO LEWEJ STRONIE.
- Ustaw i zablokuj ustawienie kąta cięcia w poziomie na 31,6° PO PRAWEJ STRONIE.
- Ułożyć profil wypukły szeroką powierzchnią tylną (ukrytą) na podstawie obrotowej KRAWĘDZIĄ STYKOWĄ SUFITU przytkniętą do prowadnicy na pile.
- Skończony element będzie się zawsze znajdował po LEWEJ stronie tarczy po wykonaniu cięcia.

## W przypadku prawego cięcia pionowego pod kątem

Tabela (A)

	Pozycja profilu na rys. A	Kąt cięcia w pionie		Kąt cięcia w poziomie	
		Typ 52/38°	Typ 45°	Typ 52/38°	Typ 45°
Do narożnika wewnętrznego	(1)	Prawy 33,9°	Prawy 30°	Prawy 31,6°	Prawy 35,3°
	(2)			Lewy 31,6°	Lewy 35,3°
Do narożnika zewnętrznego	(3)			Prawy 31,6°	Prawy 35,3°
	(4)			Prawy 31,6°	Prawy 35,3°

006363

Tabela (B)

	Pozycja profilu na rys. A	Krawędź profilu przyłożona do prowadnicy	Skończony element
Do narożnika wewnętrznego	(1)	Krawędź stykowa ściany powinna się znajdować przy prowadnicy.	Skończony element znajdzie się po prawej stronie tarczy.
	(2)	Krawędź stykowa sufitu powinna się znajdować przy prowadnicy.	
Do narożnika zewnętrznego	(3)	Krawędź stykowa ściany powinna się znajdować przy prowadnicy.	Skończony element znajdzie się po lewej stronie tarczy.
	(4)	Krawędź stykowa ściany powinna się znajdować przy prowadnicy.	

006364

### Przykład:

W przypadku cięcia profilu wypukłego typu 52/38° dla pozycji (1) na rys. A:

- Przechyl i zablokuj ustawienie kąta cięcia w pionie na 33,9° PO PRAWEJ STRONIE.
- Ustaw i zablokuj ustawienie kąta cięcia w poziomie na 31,6° PO PRAWEJ STRONIE.
- Ułożyć profil wypukły szeroką powierzchnią tylną (ukrytą) na podstawie obrotowej KRAWĘDZIĄ STYKOWĄ ŚCIANY przytkniętą do prowadnicy na pile.
- Skończony element będzie się zawsze znajdował po PRAWEJ stronie tarczy po wykonaniu cięcia.

## 7. Cięcie profili aluminiowych

### Rys.40

### Rys.41

Do mocowania profili aluminiowych używaj klocków rozporowych lub kawałków odpadów tak, jak pokazano na rysunku, aby zapobiec deformacji aluminium. Podczas cięcia aluminium stosuj smar do cięcia, aby zapobiec gromadzeniu się opiłków aluminium na powierzchni tarczy.

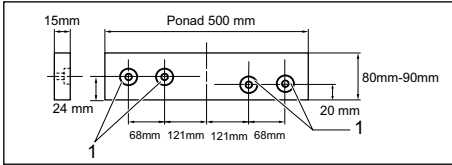
### ⚠️ OSTRZEŻENIE:

- Nie wolno przecinać grubych lub zaokrąglonych profili aluminiowych.** Mocowanie takich profili może być utrudnione; element może obluźować się podczas cięcia, powodując utratę panowania i poważne obrażenia ciała.

## 8. Ostony drewniane zapobiegające powstawaniu drzazg podczas cięcia

Użycie drewnianych osłon pozwala ciąć obrabiane przedmioty bez drzazg i odprysków wzdłuż linii cięcia. Przymocuj osłonę drewnianą do prowadnicy wykorzystując w tym celu otwory w prowadnicy.

Na rysunku podano wymiary zalecanych osłon drewnianych.



### 1. Otwory

010563

#### ⚠UWAGA:

- Jako osłony drewnianej użyj zwykłego kawałka drewna o równej grubości.

#### ⚠OSTRZEŻENIE:

- Za pomocą wkrętów przymocować osłonę drewnianą do prowadnicy. Wkręty należy umieścić w taki sposób, aby ich łby znajdowały się poniżej powierzchni prowadnicy drewnianej, dzięki czemu nie będą przeszkadzać w umieszczaniu przecinanego materiału.** Nieprawidłowe ustawienie materiału może spowodować niespodziewany ruch podczas cięcia, powodując utratę panowania i poważne obrażenia ciała.

#### UWAGA!

- Przy zamocowanej osłonie z drewna i opuszczonym uchwycie pilarki nie obracaj podstawy obrotowej. W przeciwnym razie możesz uszkodzić tarczę i/lub osłonę z drewna.

## 9. Cięcie rowków

### Rys.42

Cięcie wpustów można wykonać w następujący sposób:

Wyreguluj pozycję ogranicznika dolnego tarczy przy pomocy śruby regulującej i ramienia ogranicznika, aby ograniczyć głębokość cięcia. Zajrzyj do rozdziału „Ramie ogranicznika”.

Po wyregulowaniu pozycji dolnej tarczy, należy wyciąć równoległe rowki na całej szerokości elementu, stosując cięcie przesuwne tak, jak pokazano na ilustracji. Następnie usunąć materiał z rowków za pomocą dłuta.

#### ⚠OSTRZEŻENIE:

- Nie wolno wykonywać tego rodzaju cięcia przy użyciu szerszej tarczy lub tarczy do wpustów.** Próba wykonania rowka przy użyciu szerszej tarczy lub tarczy do wpustów może spowodować

nieprawidłowości w cięciu i odrzut, będący przyczyną poważnych obrażeń ciała.

- Przesunąć ramie ograniczające w położenie wyjściowe przy wykonywaniu cięć innych niż żłobkowanie.** Cięcie, gdy ramie ograniczające jest w nieprawidłowym położeniu, może spowodować nieprawidłowości w cięciu i odrzut, będący przyczyną poważnych obrażeń ciała.

#### ⚠UWAGA:

- Przed przystąpieniem do prac innych niż cięcie rowków upewnij się, że ramie ogranicznika zostało przestawione do pierwotnej pozycji.

## Przenoszenie narzędzia

### Rys.43

Upewnij się, że narzędzie jest odłączone od zasilania. Zablokować tarczę pod kątem 0° w pionie, a następnie obrócić podstawę obrotową, tak aby ustawić tarczę pod maksymalnym kątem cięcia w poziomie w prawo. Umocować pręty przesuwne tak, aby dolny pręt był zablokowany w położeniu, w jakim suport wzdłużny jest całkowicie przyciągnięty do operatora, górne pręty są zablokowane w położeniu, w jakim suport wzdłużny jest całkowicie dopchnięty do prowadnicy (patrz punkt „Ustawienie blokady przesuwania”). Obniżyć do oporu uchwyt i zablokować go w tej pozycji, wciskając kolek oporowy.

Zwiń przewód zasilający za pomocą występów.

#### ⚠OSTRZEŻENIE:

- Kolek oporowy wykorzystuje się tylko do transportu i przechowywania narzędzia i nie wolno go używać podczas cięcia.** Użycie kołka oporowego podczas cięcia może być przyczyną nieoczekiwanego przemieszczenia się tarczy tnącej, powodując odrzut i poważne obrażenia ciała.

Przenoś narzędzie trzymając podstawę po obu stronach tak, jak pokazano na ilustracji. Zdemontowanie uchwytów, worka na pył itp. ułatwia przenoszenie narzędzia.

#### ⚠UWAGA:

- Przed przeniesieniem narzędzia należy zablokować wszystkie ruchome elementy. Jeśli części narzędzia poruszają się lub przesuwają podczas jego przenoszenia, może to spowodować utratę równowagi i poważne obrażenia ciała.

## KONSERWACJA

#### ⚠OSTRZEŻENIE:

- Przed przystąpieniem do przeglądu lub konserwacji należy sprawdzić, czy narzędzie zostało wyłączone i odłączone od zasilania.** Jeśli narzędzie pozostanie włączone lub podłączone do zasilania, może zostać przypadkowo uruchomione, powodując poważne

obrażenia ciała.

- **Aby zapewnić optymalne i bezpieczne użytkowanie należy zadbać, aby tarcza zawsze była ostra i czysta.** Cięcie przy użyciu stępionej lub zabrudzonej tarczy może spowodować odrzut i być przyczyną poważnych obrażeń ciała.

#### **UWAGA!**

- Nie wolno używać benzyny, benzenu, rozpuszczalnika, alkoholu itp. Substancje takie mogą spowodować odbarwienia, odkształcenia lub pęknięcia.

### **Regulacja kąta cięcia**

W fabryce została przeprowadzona dokładna regulacja i kalibracja urządzenia, ale niedelikatne obchodzenie się z nim może naruszyć kalibrację. Jeżeli urządzenie nie jest właściwie wykalibrowane, wykonaj następujące czynności:

#### **1. Kąt cięcia w poziomie**

##### **Rys.44**

Popchnij suport wzdłużny do oporu ku prowadnicy i dokręć śrubę blokującą, aby go zablokować.

Poluzuj uchwyt, który blokuje podstawę obrotową. Obróć podstawę tak, aby wskaźnik pokazywał 0° na skali kąta cięcia w poziomie. Następnie przekręć lekko podstawę obrotową w kierunku zgodnym z ruchem wskazówek zegara i przeciwnym do ruchu wskazówek zegara, aby podstawa obrotowa osiadła w nacięciu poziomym 0°. (Jeżeli wskaźnik nie pokazuje pozycji 0°, zostaw narzędzie tak, jak jest.) Odkręć śruby sześciokątne z łbem gniazdowym, które blokują prowadnicę, używając klucza nasadowego.

##### **Rys.45**

Obniż do oporu uchwyt i zablokować go w tej pozycji, wciskając kolek oporowy. Wyrównać boczna powierzchnię tarczy z powierzchnią prowadnicy przy użyciu przymiaru trójkątnego, kątownika, itp. Następnie mocno dokręć śruby z łbem sześciokątnym na prowadnicy, zaczynając od prawej strony.

##### **Rys.46**

Upewnij się, że wskaźnik na podziałce wskazuje 0°. Jeżeli nie wskazuje on 0°, poluzuj śrubę, która mocuje wskaźnik i wyreguluj wskaźnik tak, aby wskazywał 0°.

#### **2. Kąt cięcia w pionie**

(1) Kąt pionowy 0°

##### **Rys.47**

Popchnij suport wzdłużny do oporu ku prowadnicy i dokręć śrubę blokującą, aby go zablokować. Obniż do oporu uchwyt pilarki i zablokuj go w tej pozycji wciskając kolek oporowy. Poluzuj dźwignię z tyłu urządzenia.

##### **Rys.48**

Aby przechylić tarczę w prawo, obróć śrubę sześciokątną w prawo od ramienia, wykonując dwa lub trzy obroty w kierunku przeciwnym do ruchu wskazówek zegara.

##### **Rys.49**

Ustaw powierzchnię boczną tarczy prostopadle do powierzchni górnej podstawy obrotowej, używając np. ekierki i obracając śrubę sześciokątną po prawej stronie w kierunku zgodnym z ruchem wskazówek zegara. Teraz dokręć solidnie dźwignię.

##### **Rys.50**

Upewnij się, czy wskaźnik na ramieniu pokazuje 0° na podziałce kąta cięcia w pionie na ramieniu uchwytu. Jeżeli nie wskazują one 0°, poluzuj śrubę, która mocuje wskaźnik i wyrównaj go ze znacznikiem kąta 0°.

(2) Kąt pionowy 45°

##### **Rys.51**

Kąt cięcia 45° należy regulować dopiero po wykalibrowaniu kąta cięcia w pionie 0°. Aby ustawić lewy kąt cięcia 45°, poluzuj dźwignię i przechyl tarczę do oporu w lewo. Upewnij się, czy wskaźnik na ramieniu pokazuje 45° na podziałce kąta cięcia w pionie na ramieniu uchwytu. Jeżeli wskaźnik nie pokazuje kąta 45°, obracaj śrubą regulacyjną kąta 45° z prawej strony uchwytu ramienia, aż wskaźnik wyrówna się ze znacznikiem kąta 45°.

Aby ustawić prawy kąt cięcia 45°, wykonaj powyższe procedury.

##### **Rys.52**

Szczotki węglowe należy regularnie kontrolować i w razie potrzeby wymieniać. Szczotki należy wymieniać, kiedy ich długość zmniejszy się do 3 mm. Szczotki węglowe powinny być czyste, aby można je było swobodnie wsunąć do opraw. Obie szczotki węglowe należy wymieniać równocześnie. Należy używać wyłącznie identycznych szczotek węglowych.

##### **Rys.53**

Do wyjęcia pokrywek uchwytów szczotek używać śrubokrętu. Wyjąć zużyte szczotki węglowe, włożyć nowe i zabezpieczyć pokrywkami uchwytów szczotek.

### **Po zakończeniu pracy**

- Po zakończeniu pracy wytrzyj ściereczką narzędzie z przylegających do niego wirów i pyłu. Ostronę tarczy należy utrzymywać w czystości zgodnie ze wskazówkami zawartymi w części zatytułowanej „Ostrona tarczy”. Elementy ruchome narzędzia należy zabezpieczać przed korozją smarem.
- Przechowując narzędzie, pociągnij do siebie suport wzdłużny do oporu.

Dla zachowania **BEZPIECZEŃSTWA** i **NIEZAWODNOŚCI** wyrobu, naprawy oraz inne prace konserwacyjne i regulacyjne powinny być wykonywane

przez Autoryzowane Centra Serwisowe Makita, wyłącznie przy użyciu części zamiennych Makita.

## AKCESORIA OPCJONALNE

### ⚠OSTRZEŻENIE:

- **Z opisanym w niniejszej instrukcji narzędziem marki Makita współpracują zalecane poniżej akcesoria i przystawki.** Stosowanie innych akcesoriów lub przystawek może być przyczyną poważnych obrażeń.
- **Akcesoria i przystawki firmy Makita można stosować tylko zgodnie z ich przeznaczeniem.** Nieprawidłowe wykorzystanie akcesoriów lub przystawek może spowodować poważne obrażenia ciała.

W razie potrzeby, wszelkiej pomocy i szczegółowych informacji na temat niniejszych akcesoriów udziela Państwu lokalne Centra Serwisowe Makita.

- Tarcza stalowa z ostrzami z węglików

Ostrza piły grzebielnicowej	Do płynnego i precyzyjnego cięcia różnych materiałów.
Kombinacja	Ostrze do zastosowań ogólnych, do szybkiego i równego cięcia wzdłużnego, poprzecznego i pod kątem
Cięcia poprzeczne	Do płynnego cięcia w poprzek słoï. Tnie stoje bez odprysków.
Precyzyjne cięcia poprzeczne	Do czystego cięcia słoïów bez odprysków
Tarcza piły grzebielnicowej do cięcia metali nieżelaznych	Do cięć pod kątem aluminium, miedzi, mosiądzu, rur i innych metali nieżelaznych.

006526

- Prowadnica P
- Zespół zacisku (Zacisk poziomy)
- Zacisk pionowy
- Klucz nasadowy z kluczem sześciokątnym na drugim końcu
- Uchwyt
- Worek na pył
- Kolanko
- Ekierka

### UWAGA:

- Niektóre pozycje znajdujące się na liście mogą być dołączone do pakietu narzędziowego jako akcesoria standardowe. Mogą to być różne pozycje, w zależności od kraju.

## ROMÂNĂ (Instrucțiuni originale)

## Explicitarea vederii de ansamblu

1-1. Știft opritor	21-2. Suport de cheie	34-3. Butonul rotativ al menghinei
2-1. Bolțuri	22-1. Știft opritor	36-1. Suport
3-1. Apărătoarea pânzei	23-1. Cheie tubulară	38-1. Cornișă tip 52/38 °
4-1. Apărătoarea pânzei	23-2. Carcasa pânzei	38-2. Cornișă tip 45 °
5-1. Șurub	23-3. Capac central	38-3. Plintă tip 45 °
5-2. Placă cu fantă	23-4. Șurub cu cap hexagonal	39-1. Colț interior
6-1. Pânză de ferăstrău	23-5. Apărătoarea pânzei	39-2. Colț exterior
6-2. Dinții pânzei	24-1. Carcasa pânzei	40-1. Opritor de ghidare
6-3. Placă cu fantă	24-2. Cheie tubulară	40-2. Menghină
6-4. Tăiere înclinată spre stânga	24-3. Șurub cu cap hexagonal	40-3. Bloc distanțier
6-5. Tăiere dreaptă	24-4. Săgeată	40-4. Piesă extrudată din aluminiu
6-6. Tăiere înclinată spre dreapta	24-5. Pârghie de blocare a axului	40-5. Bloc distanțier
7-1. Șurub de reglare	25-1. Carcasa pânzei	41-1. Piesă extrudată din aluminiu
7-2. Talpă rotativă	25-2. Săgeată	41-2. Opritor de ghidare
8-1. Suprafața superioară a tălpilor rotative	25-3. Săgeată	41-3. Bloc distanțier
8-2. Conturul pânzei	25-4. Pânză de ferăstrău	41-4. Menghină orizontală (accesoriu opțional)
8-3. Opritor de ghidare	26-1. Șurub cu cap hexagonal (filet pe stânga)	42-1. Nuturi tăiate cu pânda
9-1. Braț opritor	26-2. Flanșă exterioară	44-1. Șurub cu cap hexagonal
9-2. Șurub de reglare	26-3. Pânză de ferăstrău	44-2. Opritor de ghidare
10-1. Scală pentru tăiere oblică	26-4. Inel	44-3. Mâner
10-2. Indicator	26-5. Flanșă interioară	45-1. Opritor de ghidare
10-3. Levier de blocare	26-6. Arbore	45-2. Echer
10-4. Mâner	27-1. Cheie tubulară	46-1. Șurub
11-1. Pârghie	27-2. Carcasa pânzei	46-2. Indicator
12-1. Pârghie	27-3. Capac central	46-3. Scală pentru tăiere oblică
12-2. Braț	27-4. Șurub cu cap hexagonal	47-1. Pârghie
12-3. Indicator	27-5. Apărătoarea pânzei	47-2. Braț
12-4. Scală pentru înclinație	28-1. Duză de praf	48-1. Șurub de reglare la 0 °
13-1. Pârghie	28-2. Sac de praf	48-2. Șurub de reglare a înclinației la 45 ° stânga
14-1. Indicator	28-3. Încizitoare	49-1. Echer
14-2. Buton de eliberare	29-1. Suport	49-2. Pânză de ferăstrău
14-3. Scală pentru înclinație	29-2. Talpă rotativă	49-3. Suprafața superioară a mesei rotative
15-1. Șurub de blocare	30-1. Opritor culisant	50-1. Șurub
16-1. Buton de deblocare	30-2. Șurub de strângere	50-2. Indicator
16-2. Trăgaciul întrerupătorului	31-1. Opritor culisant	50-3. Scală pentru înclinație
16-3. Pârghie	32-1. Opritor auxiliar dreapta	51-1. Șurub de reglare a înclinației la 45 ° dreapta
16-4. Orificiu pentru lacăt	32-2. Șuruburi	51-2. Șurub de reglare a înclinației la 45 ° stânga
17-1. Buton de deblocare	33-1. Brațul menghinei	53-1. Șurubelniță
17-2. Trăgaciul întrerupătorului	33-2. Butonul rotativ al menghinei	53-2. Capacul suportului pentru perii
17-3. Orificiu pentru lacăt	33-3. Tija menghinei	
18-1. Comutator pentru laser	33-4. Șurub	
20-1. Celulă uscată	33-5. Opritor de ghidare	
21-1. Cheie tubulară cu cheie inbus la celălalt capăt	34-1. Placa menghinei	
	34-2. Piulița menghinei	

# SPECIFICAȚII

Model	LS1018 / LS1018L
Diametrul pânzei de ferăstrău	255 mm - 260 mm
Grosimea corpului pânzei	1,6 mm - 2,4 mm
Diametrul găurii	
Pentru toate țările în afara celor europene	25,4 mm
Pentru țările europene	30 mm
Capacitate maximă de tăiere (H x l) cu pânză de 260 mm diametru	

Unghi de tăiere obișcită	Unghi de înclinație		
	45° (stânga)	0°	45° (dreapta)
0°	50 mm x 310 mm	91 mm x 310 mm	31 mm x 310 mm
45°	50 mm x 220 mm	91 mm x 220 mm	31 mm x 220 mm
60° (dreapta)	-	91 mm x 153 mm	-

Turația în gol (min <sup>-1</sup> )	4.300
Tip laser (numai la LS1018L)	Laser roșu 650 nm, < 1mW (laser clasa 2)
Dimensiuni (L x l x H)	825 mm x 536 mm x 633 mm
Greutate netă	Pentru toate țările în afara celor europene.....19,8 kg Pentru țările europene.....19,9 kg

Clasa de siguranță

- Datorită programului nostru continuu de cercetare și dezvoltare, caracteristicile pot fi modificate fără o notificare prealabilă.
- Specificațiile pot varia în funcție de țară.
- Greutatea este specificată conform procedurii EPTA-01/2003

END222-1

## Simbolurile

Mai jos sunt prezentate simbolurile de pe echipament. Asigurați-vă că înțelegeți sensul acestora înainte de a utiliza.



- Citiți manualul de instrucțiuni.



- IZOLAȚIE DUBLĂ



- Pentru a evita vătămările provocate de resturile împrăștiate, după executarea tăierii mențineți capul ferăstrăului coborât, până când pânza se oprește complet.



- Când executați o tăiere prin glisare, trageți întâi sania complet spre dumneavoastră și apăsați mânerul pânzei în poziția coborâtă, iar apoi împingeți sania către ghidajul opritor.



- Nu duceți mâinile sau degetele în apropierea pânzei.



- Reglați opritoarele culisante la distanță de pânză și apărătoarea pânzei în mod corespunzător.



- Demontați întotdeauna OPRITORUL AUXILIAR DREAPTA înainte de a executa o tăiere înclinată spre dreapta. În caz contrar, există pericol de rănire gravă a utilizatorului.



- Nu priviți niciodată în fasciculul laser. Privirea directă a fasciculului laser vă poate vătăma ochii.



- Doar pentru țările din UE  
Nu eliminați echipamentele electrice la fel ca reziduurile menajere!  
Conform cu Directiva Europeană 2002/96/EC privitoare la echipamente electrice și electronice scoase din uz și conform cu legile naționale, echipamentele electrice care au ajuns la finalul duratei de viață trebuie să fie strânse separat și trebuie să fie transmise la o unitate de reciclare.

ENE006-1

## Destinația de utilizare

Mașina este destinată tăierii precise drepte și oblice în lemn. Cu pânze de ferăstrău adecvate, pot fi executate și tăieri ale aluminiului.

ENF002-2

## Sursă de alimentare

Unealta trebuie conectată doar la o sursă de alimentare cu aceeași tensiune precum cea indicată pe plăcuța indicatoare a caracteristicilor tehnice și poate fi operată doar de la o sursă de curent alternativ cu o singură fază. Acestea au o izolație dublă și, drept urmare, pot fi utilizate de la prize fără împământare.

ENG905-1

## Emisie de zgomot

Nivelul de zgomot normal ponderat A determinat în conformitate cu EN61029:

Nivel de presiune acustică (L<sub>DA</sub>): 97 dB(A)

Nivel putere sonoră (L<sub>WA</sub>): 103 dB(A)

**Purtați mijloace de protecție a auzului**

ENG900-1 000230



Tomoyasu Kato

Director

Makita Corporation

3-11-8, Sumiyoshi-cho,

Anjo, Aichi, 446-8502, JAPONIA

**Vibrații**

Valoarea totală a vibrațiilor (suma vectorilor tri-axiali) determinată conform EN61029:

Nivel de vibrații ( $a_w$ ): 2,5 m/s<sup>2</sup> sau mai puțin  
Incertitudine (K): 1,5 m/s<sup>2</sup>

ENG901-1

GEA010-1

- Nivelul de vibrații declarat a fost măsurat în conformitate cu metoda de test standard și poate fi utilizat pentru compararea unei unelte cu alta.
- Nivelul de vibrații declarat poate fi, de asemenea, utilizat într-o evaluare preliminară a expunerii.

**⚠️ AVERTISMENT:**

- Nivelul de vibrații în timpul utilizării reale a uneltei electrice poate diferi de valoarea nivelului declarat, în funcție de modul în care unealta este utilizată.
- Asigurați-vă că identificați măsurile de siguranță pentru a proteja operatorul, acestea fiind bazate pe o estimare a expunerii în condiții reale de utilizare (luând în considerare toate părțile ciclului de operare, precum timpii în care unealta a fost oprită, sau a funcționat în gol, pe lângă timpul de declanșare).

ENH003-13

**Numai pentru țările europene****Declarație de conformitate CE**

**Noi, Makita Corporation ca producător responsabil, declarăm că următorul(oarele) utilaj(e):**

Denumirea utilajului:

Ferăstrău glisant pentru tăieri oblice combinate

Model nr./ Tip: LS1018, LS1018L

sunt produse în serie și

**Este în conformitate cu următoarele directive europene:**

2006/42/EC

Și este fabricat în conformitate cu următoarele standarde sau documente standardizate:

EN61029

Documentațiile tehnice sunt păstrate de reprezentantul nostru autorizat în Europa care este:

Makita International Europe Ltd.

Michigan Drive, Tongwell,

Milton Keynes, Bucks MK15 8JD, Anglia

## Avertismente generale de siguranță pentru unelte electrice

**⚠️ AVERTIZARE** Citiți toate avertizările de siguranță și toate instrucțiunile. Nerespectarea acestor avertizări și instrucțiuni poate avea ca rezultat electrocutarea, incendiul și/sau rănirea gravă.

**Păstrați toate avertismentele și instrucțiunile pentru consultări ulterioare.**

ENB034-6

## NORME SUPLIMENTARE DE SECURITATE PENTRU MAȘINĂ

1. Purtați ochelari de protecție.
2. Nu țineți mâinile pe traiectoria pânzei de ferăstrău. Evitați contactul cu pânza aflată în rotire liberă. Aceasta poate cauza încă vătămări grave.
3. Nu utilizați ferăstrăul cu apărătoarele demontate. Verificați închiderea corectă a apărătoarei pânzei înainte de fiecare utilizare. Nu folosiți ferăstrăul dacă apărătoarea pânzei nu se mișcă liber și nu se închide instantaneu. Nu blocați sau legați niciodată apărătoarea pânzei în poziție deschisă.
4. Nu executați nicio operație cu mâna liberă. Piesa de prelucrat trebuie să fie fixată ferm cu menghina la talpa rotativă și ghidajul opritor pe durata tuturor operațiilor. Nu folosiți niciodată mâna pentru a fixa piesa de prelucrat.
5. Nu întindeți niciodată mâna peste pânza de ferăstrău.
6. Opriți mașina și așteptați ca pânza de ferăstrău să se oprească înainte de a muta piesa sau de a modifica reglajele.
7. Deconectați mașina înainte de a schimba pânza sau înainte reparațiilor.
8. Fixați întotdeauna toate piesele mobile înainte de a transporta mașina.
9. Știftul opritor care blochează capul așchietor în poziția coborâtă este destinat exclusiv pentru transport și depozitare, și nu pentru operațiile de tăiere.

10. Nu utilizați unealta în prezența lichidelor și gazelor inflamabile. Operarea electrică a unelei ar putea crea o explozie și incendiu la expunerea la lichide și gaze inflamabile.
11. Verificați atent pânza cu privire la fisuri sau deteriorări înainte de utilizare. Înlocuiți imediat pânza fisurată sau deteriorată.
12. Folosiți numai flanșele specificate pentru această mașină.
13. Aveți grijă să nu deteriorați arborele, flanșele (în special suprafața de montaj) sau șurubul. Deteriorarea acestor piese poate conduce la ruperea pânzei.
14. Asigurați-vă că talpa rotativă este fixată ferm, astfel încât să nu se miște în timpul operației.
15. Pentru siguranța dumneavoastră îndepărtați așchiile, resturile de material etc. de pe suprafața mesei înainte de executarea lucrării.
16. Evitați tăierea cuielei. Inspectați piesa de prelucrat și eliminați toate cuiele din aceasta înainte de începerea lucrării.
17. Asigurați-vă că pârghia de blocare a axului este eliberată înainte de a conecta comutatorul.
18. Asigurați-vă că pânza nu intră în contact cu talpa rotativă în poziția inferioară.
19. Țineți mânerul ferm. Rețineți că ferăstrăul se mișcă puțin în sus sau în jos în timpul pornirii și opririi.
20. Asigurați-vă că pânza nu intră în contact cu piesa de prelucrat înainte de a conecta comutatorul.
21. Înainte de utilizarea mașinii pe piesa propriu-zisă, lăsați-o să funcționeze în gol pentru un timp. Încercați să identificați orice vibrație sau oscilație care ar putea indica o instalare inadecvată sau o pânză neechilibrată.
22. Așteptați până când pânza atinge viteza maximă înainte de a începe tăierea.
23. Întrerupeți lucrul imediat dacă observați orice anomalie.
24. Nu încercați să blocați butonul declanșator în poziția pornit.
25. Fiți permanent vigilenți, în special în timpul operațiilor repetitive, monotone. Nu vă lăsați atras de un sentiment fals de securitate. Pânzele sunt extrem de neiertătoare.
26. Folosiți întotdeauna accesoriile recomandate în acest manual. Folosirea unor accesorii inadecvate, cum ar fi discurile abrazive, poate provoca vătămări corporale.
27. Nu folosiți ferăstrăul pentru a tăia alte materiale decât lemn, aluminiu sau materiale similare.
28. Conectați ferăstraiele pentru tăieri oblice la un dispozitiv de colectare a prafului în timpul tăierii.
29. Alegeți pânze de ferăstrău adecvate materialului ce urmează a fi tăiat.
30. Aveți grijă când executați canelări.
31. Înlocuiți placa cu fantă când se uzează.
32. Nu folosiți pânze de ferăstrău fabricate din oțel rapid.
33. Unele pulberi rezultate din prelucrare conțin chimicale care prezintă risc de apariție a cancerului, malformațiilor congenitale sau a altor boli ale aparatului reproducător. Printre aceste chimicale se numără:
  - plumbul din materialele vopsite cu vopsea pe bază de plumb și
  - arsenicul și cromul din cherestea tratată chimic.
 Riscurile la care sunteți expus în acest caz variază, în funcție de frecvența cu care executați acest tip de lucrare. Pentru a reduce expunerea la aceste chimicale: lucrați într-un spațiu bine ventilat și cu un echipament de protecție omologat, cum ar fi acele măști de protecție a respirației care sunt special concepute pentru a filtra particulele microscopice.
34. Pentru a reduce zgomotul emis, aveți grijă întotdeauna ca pânza să fie ascuțită și curată.
35. Operatorul este instruit adecvat pentru utilizarea, reglarea și operarea mașinii.
36. Folosiți pânze de ferăstrău ascuțite corect. Respectați viteza maximă specificată pe pânza de ferăstrău.
37. Rețineți-vă de la îndepărta piesele tăiate sau alte bucăți ale piesei prelucrate din zona de tăiere în timpul funcționării mașinii și când capul ferăstrăului nu se află în poziția de repaus.
38. Utilizați doar pânze de ferăstrău recomandate de producător, care se conformează standardului EN847-1.
39. Purtați mănuși la manevrarea pânzelor de ferăstrău (pânzele de ferăstrău vor fi transportate într-un suport, acolo unde acest lucru este posibil) și materialelor dure.
40. Când sunt prevăzute cu laser, nu este permis schimbul între diferite tipuri de laser. Reparațiile vor fi efectuate în mod corect.

## PĂSTRAȚI ACESTE INSTRUCȚIUNI



# INSTALARE

## Montarea bancului

### Fig.1

Pe timpul transportului mașinii, mânerul este blocat în poziție coborâtă prin știftul opritor. Eliberați știftul opritor aplicând simultan o presiune ușoară pe mâner și trăgând știftul opritor.

### Fig.2

Această mașină trebuie bulonată cu patru bolțuri pe o suprafață plană și stabilă folosind găurile de bulonare prevăzute în talpa mașinii. Aceasta va ajuta la prevenirea răsturnării și a posibilelor vătămări.

## DESCRIERE FUNCȚIONALĂ

### ⚠️ AVERTISMENT:

- **Asigurați-vă întotdeauna că unealta este oprită și decuplată de la alimentare înaintea reglării și verificării funcțiilor.** Dacă unealta nu este oprită și decuplată de la alimentare, pot rezulta accidente grave în urma pornirii accidentale.

## Apărătoarea pânzei

### Fig.3

Când coborâți mânerul, apărătoarea pânzei se ridică automat. Apărătoarea pânzei revine în poziția inițială la finalizarea tăierii și ridicarea mânerului.

### ⚠️ AVERTISMENT:

- **Nu dezactivați sau demontați niciodată apărătoarea pânzei sau arcul care se atașează la apărătoare.** O pânză expusă în urma dezactivării apărătoarei poate duce la accidente grave în timpul operării.

Pentru siguranța dumneavoastră, păstrați permanent apărătoarea pânzei în stare bună. Orice funcționare defectuoasă a apărătoarei pânzei trebuie remediată imediat. Verificați revenirea apărătoarei sub acțiunea arcului.

### ⚠️ AVERTISMENT:

- **Nu utilizați niciodată unealta dacă apărătoarea pânzei sau arcul sunt defecte, deteriorate sau demontate.** Operarea uneltei cu o apărătoare defectă, deteriorată sau demontată poate duce la accidente grave.

Dacă apărătoarea transparentă a pânzei devine murdară, sau dacă se depune rumeguș pe aceasta astfel încât pânza și/sau piesa de prelucrat nu mai poate fi observată cu ușurință, deconectați ferăstrăul și curățați cu grijă apărătoarea pânzei cu o lavetă umedă. Nu utilizați solvenți sau substanțe de curățare bazate pe benzină pe apărătoarea din plastic, deoarece acest lucru ar putea duce la deteriorarea apărătoarei

Dacă apărătoarea pânzei devine murdară și trebuie curățată pentru o operare corectă, urmați pașii de mai jos:

Cu unealta oprită și decuplată de la alimentare, utilizați cheia tubulară furnizată pentru a slăbi șurubul hexagonal care fixează capacul central. Deșurubați șurubul cu cap hexagonal prin rotire în sens anti-orar și ridicați apărătoarea pânzei și capacul central.

### Fig.4

Cu apărătoarea pânzei astfel poziționată, curățarea poate fi realizată complet și eficient. După curățare, urmați procedura de mai sus în sens invers și fixați șurubul. Nu demontați arcul care susține apărătoarea pânzei. Dacă apărătoarea se deteriorează în timp sau din cauza expunerii la razele ultraviolete, contactați un centru de service Makita pentru a procura o apărătoare nouă. **NU DEZACTIVAȚI SAU DEMONTAȚI APĂRĂTOAREA.**

## Poziționarea plăcii cu fantă

### Fig.5

### Fig.6

Mașina este prevăzută cu plăci cu fantă în talpa rotativă pentru minimizarea ruperii pe partea de ieșire a tăieturii. Plăcile cu fantă sunt reglate din fabrică astfel încât pânza de ferăstrău să nu intre în contact cu plăcile cu fantă. Înainte de utilizare, reglați plăcile cu fantă după cum urmează:

Mai întâi, deconectați mașina. Deșurubați toate șuruburile (câte 3 în stânga și în dreapta) care fixează plăcile cu fantă. Strângeți-le la loc numai atât cât plăcile cu fantă să mai poată fi mișcate ușor cu mâna. Coborâți mânerul complet și apăsați știftul opritor pentru a bloca mânerul în poziție coborâtă. Deșurubați șurubul care fixează glisierile. Trageți sania complet spre dumneavoastră. Reglați plăcile cu fantă astfel încât acestea doar să atingă flancurile dinților pânzei. Strângeți șuruburile frontale (nu le strângeți puternic). Împingeți sania complet către ghidajul opritor și reglați plăcile cu fantă astfel încât acestea doar să atingă flancurile dinților pânzei. Strângeți șuruburile posterioare (nu le strângeți puternic).

După reglarea plăcilor cu fantă, eliberați știftul opritor și ridicați mânerul. Apoi strângeți bine toate șuruburile.

### NOTĂ:

- **După setarea unghiului de înclinație, asigurați-vă că plăcile cu fantă sunt ajustate corect.** Reglarea corectă a plăcilor cu fantă va ajusta la susținerea corectă a piesei de prelucrat, minimizând uzura acestora.

## Menținerea capacității maxime de tăiere

Această unealtă este reglată din fabrică pentru a asigura o capacitate de tăiere maximă pentru o pânză de 255 mm.

Deconectați unealta înainte de efectuarea oricărei reglări. Când instalați o pânză nouă, verificați întotdeauna poziția limită inferioară a pânzei și, dacă este necesar, ajustați-o după cum urmează:

### Fig.7

### Fig.8

Mai întâi, deconectați mașina. Împingeți sania complet către ghidajul opritor și coborâți mânerul complet. Folosiți cheia inbus pentru a roti șurubul de reglare până când conturul pânzei se extinde puțin sub suprafața superioară a tălpii rotative, în punctul în care fața frontală a ghidajului opritor întâlnește suprafața superioară a tălpii rotative.

Cu mașina deconectată, rotiți pânza cu mâna în timp ce țineți mânerul coborât complet pentru a vă asigura că pânza nu intră în contact cu nicio porțiune a tălpii inferioare. Reajustați puțin, dacă este necesar.

### ⚠️AVERTISMENT:

- După instalarea unei pânze noi și cu unele decuplate, asigurați-vă că pânza nu intră în contact cu nicio parte a bazei. Dacă o pânză intră în contact cu baza, aceasta ar putea cauza un recul, rezultând accidente grave.

### Braț opritor

#### Fig.9

Poziția limită inferioară a pânzei poate fi reglată ușor cu brațul opritor. Pentru reglare, deplasați brațul opritor în direcția săgeții, după cum se vede în figură. Ajustați șurubul de reglare astfel încât pânza să se oprească în poziția dorită atunci când mânerul este coborât complet.

### Reglarea unghiului de tăiere oblică

#### Fig.10

Slăbiți mânerul prin rotire în sens anti-orar. Rotiți talpa rotativă în timp ce apăsați pârghia de blocare. După ce ați deplasat mânerul în poziția în care indicatorul indică unghiul dorit pe scala pentru tăiere oblică, strângeți ferm mânerul în sens orar.

### ⚠️ATENȚIE:

- După schimbarea unghiului de tăiere oblică, fixați întotdeauna talpa rotativă înșurubând strâns mânerul.

### NOTĂ:

- Când rotiți talpa rotativă, aveți grijă să ridicați mânerul complet.

### Reglarea unghiului de înclinație

#### Fig.11

Pentru a regla unghiul de înclinație, slăbiți pârghia de la spatele mașinii în sens anti-orar. Deblocați brațul împingând cu puțină forță mânerul în direcția în care doriți să înclinați pânza de ferăstrău.

### NOTĂ:

- Pârghia poate fi reglată la un unghi diferit prin scoaterea șurubului care fixează pârghia și fixarea acesteia la unghiul dorit.

#### Fig.12

Înclinați pânza de ferăstrău până când indicatorul indică unghiul dorit pe scala pentru înclinație. Apoi strângeți

pârghia ferm în sens orar pentru a fixa brațul.

#### Fig.13

Când înclinați sania la dreapta, înclinați ușor sania la stânga după ce slăbiți pârghia și apăsați butonul de eliberare. Cu butonul de eliberare apăsat, înclinați sania la dreapta.

#### Fig.14

Înclinați pânza de ferăstrău până când indicatorul indică unghiul dorit pe scala pentru înclinație. Apoi strângeți pârghia ferm în sens orar pentru a fixa brațul.

- Când schimbați unghiurile de înclinație, aveți grijă să poziționați plăcile cu fantă aproximativ în modul descris la paragraful „Poziționarea plăcilor cu fantă”.

### ⚠️ATENȚIE:

- După schimbarea unghiului de înclinație, fixați întotdeauna brațul strângând pârghia în sens orar.

### NOTĂ:

- La înclinarea pânzei ferăstrăului, asigurați-vă că mânerul este complet ridicat.
- Când schimbați unghiurile de înclinație, aveți grijă să poziționați plăcile cu fantă aproximativ în modul descris la paragraful „Poziționarea plăcilor cu fantă”.

### Reglarea blocării de glisare

#### Fig.15

Pentru a bloca glisiera, rotiți șurubul de blocare în sens orar.

### Acționarea întrerupătorului Pentru țările europene

#### Fig.16

Pentru a preveni acționarea accidentală a butonului declanșator, este prevăzută un buton de deblocare. Pentru a porni mașina, împingeți pârghia din stânga, apăsați butonul de deblocare și apoi apăsați butonul declanșator. Eliberați butonul declanșator pentru a opri mașina.

### ⚠️AVERTISMENT:

- Înainte de a conecta mașina, verificați întotdeauna dacă butonul declanșator funcționează corect și revine în poziția "OFF" (oprit) când este eliberat. Nu apăsați puternic butonul declanșator fără a apăsa butonul de deblocare. Acest lucru ar putea duce la defectarea butonului declanșator. Operarea sculei cu un buton declanșator care nu acționează corect poate duce la pierderea controlului și la accidentări grave.

În declanșatorul comutatorului este prevăzută un orificiu pentru introducerea lacătului în vederea blocării mașinii.

### Pentru toate țările în afara celor europene

#### Fig.17

Pentru a preveni acționarea accidentală a butonului declanșator, este prevăzută un buton de deblocare.

Pentru a porni mașina, apăsați butonul de deblocare și apăsați butonul declanșator. Eliberați butonul declanșator pentru a opri mașina.

#### ⚠️ **AVERTISMENT:**

- **Înainte de a conecta mașina, verificați întotdeauna dacă butonul declanșator funcționează corect și revine în poziția "OFF" (oprit) când este eliberat. Nu apăsați puternic butonul declanșator fără a apăsa butonul de deblocare. Acest lucru ar putea duce la defectarea butonului declanșator.** Operarea sculei cu un buton declanșator care nu acționează corect poate duce la pierderea controlului și la accidente grave.

În declanșatorul comutatorului este prevăzut un orificiu pentru introducerea lacătului în vederea blocării mașinii.

#### ⚠️ **AVERTISMENT:**

- **Nu utilizați un element de blocare cu o tijă sau cablu cu un diametru mai mic de 6,35 mm.** O tijă sau un cablu cu diametru mic nu vor asigura blocarea adecvată a unelei, putându-se declanșa operarea accidentală și rezultând accidente.
- **NU utilizați niciodată unealta fără un buton declanșator complet operațional.** Orice unealtă cu un declanșator disfuncțional este EXTREM DE PERICULOASĂ și trebuie reparată înainte de a fi folosită, în caz contrar putând rezulta accidente grave.
- Pentru siguranța dumneavoastră, această mașină este echipată cu un buton de deblocare care previne pornirea neintenționată a mașinii. Nu utilizați NICIODATĂ mașina dacă aceasta pornește la simpla apăsare a butonului declanșator, fără a apăsa butonul de deblocare. Un declanșator defect poate duce la operarea accidentală, rezultând accidente grave. Returnați mașina la un centru de service Makita pentru efectuarea reparațiilor corespunzătoare ÎNAINTE de a continua utilizarea acesteia.
- NU dezactivați niciodată butonul de deblocare prin fixare cu bandă sau prin alte mijloace. Un declanșator cu buton de deblocare dezactivat poate duce la operarea accidentală, rezultând accidente grave.

### **Funcție electronică**

#### **Funcție de pornire lină**

- Această funcție permite pornirea corectă a unelei prin limitarea cuplului de pornire.

### **Acțiunea fascicului laser**

**Numai pentru modelul LS1018L**

#### **NOTĂ:**

- Înainte de prima utilizare, introduceți două baterii uscate AA în compartimentul pentru baterii.

Consultați secțiunea intitulată "Înlocuirea bateriilor uscate pentru unitatea laser" pentru instrucțiuni privind instalarea.

#### ⚠️ **ATENȚIE:**

- Când nu este utilizat, aveți grijă să dezactivați laserul

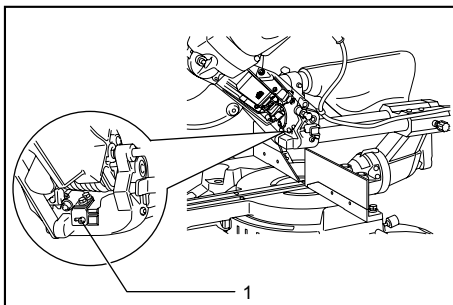
#### **Fig.18**

#### ⚠️ **ATENȚIE:**

- Nu priviți niciodată în fasciculul laser. Privirea directă a fascicului laser vă poate vătăma ochii.
- **RADIAȚII LASER, NU PRIVIȚI ÎNSPRE FASCICUL, PRODUS LASER CLASA 2.**
- Înainte de a deplasa fasciculul laser sau de a efectua reglajul de întreținere, aveți grijă să deconectați mașina.

Pentru a activa fasciculul laser, apăsați comutatorul în partea superioară (1). Pentru a dezactiva fasciculul laser, apăsați comutatorul în partea inferioară (0).

Fasciculul laser poate fi deplasat fie spre partea stângă, fie spre partea dreaptă a pânzei de ferăstrău prin deșurubarea șurubului care susține cutia unității laser și deplasarea acesteia în direcția dorită. După deplasare, aveți grijă să strângeți șurubul.



1. Șurub de susținere a cutiei unității laser

010473

Fasciculul laser este reglat din fabrică astfel încât să fie poziționat la maxim 1 mm față de suprafața laterală a pânzei (poziție de tăiere).

#### **NOTĂ:**

- Când fasciculul laser pare estompat și dificil de vizualizat din cauza luminii solare directe, relocați zona de lucru într-o zonă cu lumină redusă.

### **Înlocuirea bateriilor uscate pentru unitatea laser**

#### **Fig.19**

#### **Fig.20**

Scoateți capacul de pe bateriile uscate pentru unitatea laser glisându-l în timp ce apăsați pe acesta. Scoateți vechile baterii uscate și introduceți-le pe cele noi așa cum se arată în figură. După înlocuire, așezați la loc

capacul pentru a le acoperi.

## Curățarea lentilei laserului

Dacă lentila laserului se murdărește, sau dacă se acumulează rumeguș pe aceasta astfel încât fasciculul laser nu mai este ușor vizibil, deconectați ferăstrăul, apoi demontați și curățați cu grijă lentila laserului cu o lavetă moale umedă. Nu folosiți solvenți sau agenți de curățare pe bază de petrol pentru a curăța lentila.

### NOTĂ:

- Dacă fasciculul laser este estompat și parțial sau complet invizibil din cauza luminii solare directe din spațiul de lucru exterior sau interior din apropierea unei ferestre, reamplasați postul de lucru într-un loc care nu este expus luminii solare directe.

## MONTARE

### ⚠️ AVERTISMENT:

- **Asigurați-vă întotdeauna că unealta este oprită și decuplată de la alimentare înainte lucrului pe aceasta.** Dacă unealta nu este oprită și decuplată de la alimentare, pot rezulta accidente grave.

## Depozitarea cheii tubulare cu cheie inbus la celălalt capăt

### Fig.21

Cheia tubulară este depozitată după cum se vede în figură. Când cheia tubulară este necesară, aceasta poate fi scoasă din suportul de cheie. După folosire, cheia tubulară poate fi depozitată prin introducerea acesteia din nou în suport.

## Montarea sau demontarea pânzei de ferăstrău

### ⚠️ AVERTISMENT:

- **Asigurați-vă întotdeauna că unealta este oprită și decuplată de la alimentare înainte de montarea sau demontarea pânzei.** Pornirea accidentală a unelei poate duce la accidentări grave.
- **Utilizați doar cheia tubulară Makita furnizată pentru a monta sau demonta pânza.** Nerespectarea acestei prevederi poate duce la strângere excesivă sau insuficientă a șurubului hexagonal și la accidentări grave.

### Fig.22

Blocați mânerul în poziție ridicată prin apăsarea știftului opritor.

### Fig.23

Pentru a demonta pânza, folosiți cheia tubulară pentru a deșuruba șurubul cu cap hexagonal care fixează capacul central rotindu-l în sens anti-orar. Ridicați apărătoarea pânzei și capacul central.

### Fig.24

Apăsați pârghia de blocare a axului pentru a bloca arborele și folosiți cheia tubulară pentru a deșuruba

șurubul cu cap hexagonal în sens orar. Apoi îndepărtați șurubul cu cap hexagonal, flanșa exterioră și pânza.

### NOTĂ:

- Dacă flanșa interioară este demontată, asigurați-vă că o montați pe arbore cu partea proeminentă orientată în direcția opusă pânzei. Dacă flanșa este montată incorect, aceasta va face contact și friștione cu unealta.

### ⚠️ AVERTISMENT:

- **Înainte de a monta pânza pe arbore, asigurați-vă întotdeauna că pe arbore este instalat inelul de arbore corect pentru pânza pe care intenționați să o folosiți.** Utilizarea unui inel de arbore incorect poate duce la montarea necorespunzătoare a pânzei, rezultând mișcarea și vibrarea puternică a acesteia, posibila pierdere a controlului și accidentări grave.

### Fig.25

Pentru a instala pânza, montați-o cu atenție pe arbore având grijă ca direcția săgeții de pe suprafața pânzei să fie identică cu cea a săgeții de pe carcasa pânzei.

Instalați flanșa exterioră și șurubul cu cap hexagonal, iar apoi folosiți cheia tubulară pentru a strânge ferm șurubul cu cap hexagonal (cu filet pe stânga) în sens anti-orar în timp ce apăsați pârghia de blocare a axului.

### Pentru toate țările în afara celor europene

### Fig.26

### ⚠️ AVERTISMENT:

- Inelul negru cu diametru exterior de 25 mm și inelul argintiu cu diametru exterior de 25,4 mm sunt instalate din fabrică după cum se vede în figură. Când utilizați o pânză cu un diametru al găurii de 25 mm, înlocuiți inelul argintiu cu inelul negru. **Înainte de a monta pânza pe arbore, asigurați-vă întotdeauna că pe arbore este instalat inelul de arbore corect pentru pânza pe care intenționați să o folosiți.** Utilizarea unui inel de arbore incorect poate duce la montarea necorespunzătoare a pânzei, rezultând mișcarea și vibrarea puternică a acesteia, posibila pierdere a controlului și accidentări grave.

### Pentru țările europene

### ⚠️ ATENȚIE:

- Inelul cu diametru exterior de 30 mm este instalat din fabrică între flanșa interioară și cea exterioră. Instalați flanșa exterioră și șurubul cu cap hexagonal, iar apoi folosiți cheia tubulară pentru a strânge ferm șurubul cu cap hexagonal în sens anti-orar în timp ce apăsați pârghia de blocare a axului.

### Fig.27

Readuceți apărătoarea pânzei și capacul central în poziția inițială. Apoi strângeți șurubul cu cap hexagonal în sens orar pentru a fixa capacul central. Eliberați mânerul din poziția ridicată trăgând de știftul opritor.

Coborâți mânerul pentru a vă asigura că apărătoarea pânzei se deplasează corect. Asigurați-vă că pârghia de blocare a axului a eliberat arborele înainte de a începe tăierea.

## Sac de praf (accesoriu)

### Fig.28

Folosirea sacului de praf permite realizarea unor tăieri curate și facilitează colectarea prafului. Pentru a atașa sacul de praf, montați-l pe duza de praf.

Când sacul de praf s-a umplut până la circa o jumătate din capacitate, scoateți sacul de praf de pe mașină și extrageți dispozitivul de fixare. Goliți conținutul sacului de praf prin lovire ușoară astfel încât să eliminați particulele care aderă la interior și care ar putea stânjeni colectarea ulterioară.

### NOTĂ:

Conectând un aspirator la ferăstrăul dumneavoastră puteți efectua operații mai curate.

## Fixarea piesei de prelucrat

### ⚠️ AVERTISMENT:

- **Este extrem de important să asigurați întotdeauna piesa de prelucrat în mod corect, cu tipul adecvat de menghină sau opritoare pentru cornișe.** În caz contrar, pot rezulta accidentări grave și defectarea unelei și/sau a piesei de prelucrat.
- **După o operație de tăiere, ridicați pânza doar după oprirea completă a acestuia.** Ridicarea pânzei în mișcare ar putea duce la accidentări grave și defectarea piesei de prelucrat.
- **La tăierea unei piese de prelucrat mai lungi decât baza de susținere a ferăstrăului, materialul trebuie susținut pe întreaga lungime, dincolo de baza de susținere și la aceeași înălțime pentru a păstra nivelul materialului.** O susținere corectă a piesei de prelucrat va ajuta la evitarea prinderii pânzei și la posibilul recul care ar putea duce la accidentări grave. Nu vă bazați exclusiv pe menghina verticală și/sau pe menghina orizontală pentru a fixa piesa de prelucrat. Materialele subțiri tind să se încovoieze sub propria greutate. Rezemați piesa de prelucrat pe întreaga sa lungime pentru a evita strângerea pânzei și posibilele RECULURI.

### Fig.29

## Ghidajul reglarea opritoarelor (OPRITOARELE LATERALE, superioare și inferioare)

### Fig.30

### ⚠️ AVERTISMENT:

- Înainte de a pune în funcțiune mașina, aveți grijă ca opritorul culisant să fie bine fixat.
- **Înainte de tăierea înclinată, aveți grijă ca nicio porțiune a unelei, în special pânza, să nu intre**

**în contact cu opritoarele inferioare și superioare când coborâți și ridicați mânerul complet în orice poziție și când trageți sau împingeți sania la capătul de cursă.** Dacă unealta sau pânza intră în contact cu opritoarele, acest lucru ar putea duce la recul, mișcarea bruscă a materialului și accidentări grave.

### Fig.31

### ⚠️ ATENȚIE:

- Când executați tăieri înclinate, glišați opritorul culisant în poziția din stânga și fixați-l așa cum se arată în figură. În caz contrar, acesta va intra în contact cu pânza sau cu o porțiune a mașinii, putând provoca vătămări corporale grave utilizatorului.

Această mașină este prevăzută cu un opritor culisant care trebuie poziționat în mod normal așa cum se arată în figură.

Totuși, când executați tăieri înclinate spre stânga, reglați-l în poziția din stânga așa cum se arată în figură în cazul în care capul mașinii intră în contact cu acesta.

După finalizarea operațiilor de tăiere înclinată, nu uitați să readuceți opritorul culisant în poziția inițială și să îl fixați strângând cu putere șurubul de strângere.

## Opritor auxiliar dreapta

### ⚠️ AVERTISMENT:

- Înainte de a pune în funcțiune mașina, aveți grijă ca opritorul auxiliar din dreapta să fie bine fixat.
- Înainte de a executa tăieri înclinate spre dreapta, demontați opritorul auxiliar din dreapta. Acesta va intra în contact cu pânza sau cu o porțiune a mașinii, putând provoca vătămări corporale grave utilizatorului.

### Fig.32

Opritorul auxiliar din dreapta poate fi demontat de pe partea dreaptă a ghidajului opritor. Pentru a demonta opritorul auxiliar din dreapta, deșurubați șurubul care fixează opritorul auxiliar din dreapta și scoateți-l în afară. Efectuați procedura de demontare în sens invers pentru a-l instala.

După finalizarea operațiilor de tăiere înclinată, nu uitați să readuceți opritorul auxiliar din dreapta în poziția inițială și să îl fixați strângând cu putere șurubul de strângere.

## Menghină verticală

### Fig.33

Menghina verticală poate fi instalată fie pe partea stângă, fie pe partea dreaptă a ghidajului opritor. Introduceți tija menghinei în orificiul din ghidajul opritor și strângeți șurubul de la spatele ghidajului opritor pentru a fixa tija menghinei.

Poziționați brațul menghinei în funcție de grosimea și forma piesei de prelucrat și fixați brațul menghinei prin strângerea șurubului. Dacă șurubul de fixare a brațului

menghinei intră în contact cu ghidajul opritor, instalați șurubul pe latura opusă a brațului menghinei. Asigurați-vă că nicio parte a mașinii nu intră în contact cu menghina atunci când coborâți mânerul complet și trageți sau împingeți sania complet. Dacă mașina atinge menghina, re poziționați menghina.

Presăți piesa de prelucrat uniform pe ghidajul opritor și talpa rotativă. Poziționați piesa de prelucrat în poziția de tăiere dorită și fixați-o ferm prin strângerea butonului rotativ al menghinei.

#### **⚠️ AVERTISMENT:**

- **Piesa de prelucrat trebuie fixată ferm împotriva rotirii bazei și opritoarelor, cu ajutorul menghinei, pe întreaga durată a operațiilor.** Dacă piesa de prelucrat nu este asigurată corect împotriva opritoarelor, materialul se poate mișca în timpul operației de tăiere, cauzând deteriorarea pânzei, proiectarea materialului și pierderea controlului, rezultând accidentări grave.

### **Menghină orizontală (accesoriu opțional)**

#### **Fig.34**

Menghina orizontală poate fi instalată în două poziții, atât pe partea stângă, cât și pe partea dreaptă a bazei. La efectuarea unor tăieri oblice de 10° sau mai mari, montați menghina verticală pe partea opusă direcției în care va fi rotită talpa rotativă.

#### **Fig.35**

Prin bascularea piuliței menghinei în sens invers acelor de ceasornic, menghina este eliberată și poate fi introdusă și extrasă rapid. Pentru a prinde piesa de prelucrat, împingeți înainte butonul rotativ al menghinei până când placa menghinei intră în contact cu piesa și basculați piulița menghinei în sens acelor de ceasornic. Apoi rotiți butonul rotativ al menghinei în sens orar pentru a fixa piesa de prelucrat.

Lățimea maximă a piesei de prelucrat care poate fi fixată cu menghina orizontală este de 215 mm.

Când instalați menghina orizontală pe partea dreaptă a tălpilor, folosiți și opritorul auxiliar din dreapta pentru a fixa piesa mai ferm. Consultați paragraful "Opritor auxiliar dreapta" descris anterior pentru instalarea opritorului auxiliar din dreapta.

#### **⚠️ AVERTISMENT:**

- **Rotiți întotdeauna piulița menghinei în sensul acelor de ceasornic, până când piesa de prelucrat este fixată corect.** Dacă piesa de prelucrat nu este asigurată corect, materialul se poate mișca în timpul operației de tăiere, cauzând deteriorarea pânzei, proiectarea materialului și pierderea controlului, rezultând accidentări grave.
- La tăierea unei piese de prelucrat subțiri, precum plăci, pe opritoare, utilizați întotdeauna menghina orizontală.

## **Suporturi**

### **Fig.36**

Suporturile pot fi instalate pe fiecare parte, reprezentând un mijloc convenabil de sprijinire a pieselor de prelucrat pe orizontală. Introduceți complet tijele suportului în orificiile de la bază. Apoi fixați suporturile ferm cu șuruburile.

#### **⚠️ AVERTISMENT:**

- **Susțineți întotdeauna o piesă de prelucrat lungă, astfel încât aceasta să se afle la același nivel cu suprafața superioară a bazei de rotire pentru o tăiere precisă și pentru a preveni pierderea controlului.** O susținere corectă a piesei de prelucrat va ajuta la evitarea prinderii pânzei și la posibilul recul care ar putea duce la accidentări grave.

## **FUNȚIONARE**

### **NOTĂ:**

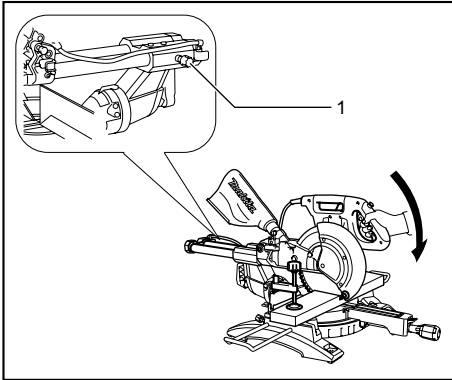
- Înainte de utilizare, aveți grijă să eliberați mânerul din poziția complet coborâtă trăgând de știftul opritor.
- Nu aplicați o presiune excesivă asupra mânerului în timpul tăierii. O apăsare prea puternică poate avea ca efect suprasolicitarea motorului și/sau reducerea eficienței tăierii. Apăsăți mânerul numai cu atâta forță câtă este necesară pentru o tăiere ușoară și fără o reducere semnificativă a vitezei pânzei.
- Apăsăți încet mânerul pentru a executa tăierea. Dacă mânerul este apăsător puternic sau este împins lateral, pânza va vibra și va lăsa o urmă (urmă de ferăstrău) în piesa de prelucrat, iar precizia tăierii va fi afectată.
- În timpul unei tăieri culisante, împingeți încet sania către ghidajul opritor fără a vă opri. Dacă deplasarea căruciorului este întreruptă în timpul tăierii, în piesă va rămâne o urmă și precizia tăierii va fi afectată.

#### **⚠️ AVERTISMENT:**

- **Asigurați-vă că lama nu intră în contact cu piesa de prelucrat înainte de activarea comutatorului.**

Rotirea uneltei cu lama în contact cu piesa de prelucrat poate duce la recul și accidentări grave.

## 1. Tăierea prin apăsare (tăierea pieselor mici)



### 1. Șurub de blocare

011409

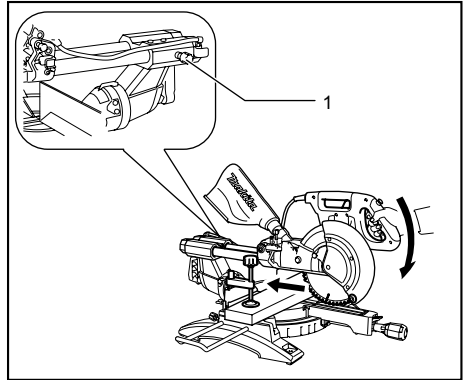
Piesele de până la 91 mm înălțime și 70 mm lățime pot fi tăiate în modul următor.

Împingeți sania complet către ghidajul opritor și strângeți șurubul de blocare în sens orar pentru a fixa sania. Fixați în mod corespunzător piesa de prelucrat cu o menghină corectă. Porniți mașina fără ca pânza să fie în contact și așteptați până când pânza atinge viteza maximă înainte de a o coborî. Apoi coborâți încet mânerul până în poziția complet coborâtă pentru a tăia piesa. După finalizarea tăierii, opriți mașina și AȘTEPTAȚI PÂNĂ CÂND PÂNZA SE OPREȘTE COMPLET înainte de a readuce pânza în poziția complet ridicată.

### ⚠️ AVERTISMENT:

- **Strângeți ferm bulonul în sens orar, astfel încât sania să nu se miște în timpul operației.** O strângere insuficientă a bulonului va cauza un posibil recul, rezultând accidentări grave.

## 2. Tăierea prin glisare (împingere) (tăierea pieselor late)



### 1. Șurub de blocare

011410

Slăbiți șurubul de blocare în sens anti-orar astfel încât sania să poată glisa liber. Fixați piesa de prelucrat cu o menghină corectă. Trageți sania complet spre dumneavoastră. Porniți mașina fără ca pânza să fie în contact și așteptați până când pânza atinge viteza maximă. Apăsați mânerul în jos și ÎMPINGEȚI SANIA CĂTRE GHIDAJUL OPRITOR SI PRIN PIESA DE PRELUCRAT. După finalizarea tăierii, opriți mașina și AȘTEPTAȚI PÂNĂ CÂND PÂNZA SE OPREȘTE COMPLET înainte de a readuce pânza în poziția complet ridicată.

### ⚠️ AVERTISMENT:

- **La fiecare efectuare a unei tăieri prin glisare, trageți mai întâi sania complet către dumneavoastră, apoi apăsați mânerul complet și împingeți sania spre ghidajul opritor. Nu începeți niciodată tăierea dacă sania nu este trasă complet spre dumneavoastră.** În caz contrar, se poate produce un recul, rezultând accidentări grave.
- **Nu încercați niciodată să efectuați o tăiere prin glisare trăgând sania către dumneavoastră.** Tragere saniei către dumneavoastră în timp ce efectuați tăierea poate duce la un recul neașteptat și accidentări grave.
- Nu efectuați niciodată o tăiere prin glisare cu mânerul blocat în poziția coborât.
- **Nu slăbiți niciodată șurubul de blocare care asigură sania în timpul rotirii pânzei.** O sanie slăbită în timpul tăierii poate duce la un recul neașteptat și accidentări grave.

### 3. Tăierea oblică

Consultați paragraful „Reglarea unghiului de tăiere oblică” descris anterior.

#### 4. Tăierea înclinată

Fig.37

Slăbiți pârghia și înclinați pânda de ferăstrău pentru a regla unghiul de înclinație (consultați paragraful „Reglarea unghiului de tăiere oblică” descris anterior). Aveți grijă să strângeți din nou ferm pârghia pentru a fixa unghiul de înclinație reglat. Fixați piesa de prelucrat cu o menghină. Asigurați-vă că sania este trasă complet înapoi către utilizator. Porniți mașina fără ca pânda să fie în contact și așteptați până când pânda atinge viteza maximă. Apoi coborâți încet mânerul până în poziția complet coborâtă, aplicând o presiune în direcție paralelă cu pânda, și ÎMPINGEȚI SANIA CĂTRE GHIDAJUL OPRITOR PENTRU A TĂIA PIESA. După finalizarea tăierii, opriti mașina și AȘTEPTAȚI PÂNĂ CÂND PÂNZA SE OPREȘTE COMPLET înainte de a readuce pânda în poziția complet ridicată.

#### ⚠️ AVERTISMENT:

- **După fixarea pânzei pentru o tăiere înclinată, înainte de a opera unealta asigurați-vă că sania și pânda au o cursă liberă pe întreaga lungime a tăierii de efectuat.** Întreruperea cursei saniei sau a pânzei în timpul operației de tăiere poate duce la recul și accidente grave.
- **În timp ce efectuați o tăiere înclinată, feriți-vă mâinile din calea pânzei.** Unghiul pânzei poate deruta operatorul privind calea reală a acesteia în timpul tăierii, iar contactul cu pânda va duce la accidente grave.
- **Pânda va fi ridicată doar după oprirea completă a acesteia.** În timpul unei tăieri înclinate, bucata tăiată poate intra în contact cu pânda. Dacă pânda este ridicată în timpul rotirii, bucata tăiată poate fi proiectată de pânda care fragmentează materialul, rezultând accidente grave

#### NOTĂ:

- Când apăsați mânerul în jos, aplicați o presiune în direcție paralelă cu pânda. Dacă forța este aplicată perpendicular pe masa rotativă sau dacă direcția de aplicare a presiunii se modifică în timpul tăierii, precizia tăierii va fi afectată.
- Înaintea tăierii înclinate, reglați pozițiile opritoarelor superioare și inferioare. Consultați secțiunea intitulată "Reglare ghidaj opritor".

#### ⚠️ ATENȚIE:

- Întotdeauna demontați opritorul auxiliar din dreapta astfel încât să nu interacționeze cu nicio porțiune a saniei la executarea de tăieri înclinate spre dreapta.

#### 5. Tăierea combinată

Tăierea combinată reprezintă procedeul prin care se execută o tăiere înclinată simultan cu o tăiere oblică a piesei de prelucrat. Tăierea combinată poate fi executată la unghiurile prezentate în tabel.

Unghi de tăiere oblică	Unghi de înclinație
Stânga și dreapta 0°- 45°	Stânga și dreapta 0°- 45°

009713

Când executați tăieri combinate, consultați explicațiile de la „Tăierea prin apăsare”, „Tăierea prin glisare”, „Tăierea oblică” și „Tăierea înclinată”.

#### 6. Tăierea de cornișe și plinte

Cornișele și plintele pot fi tăiate cu un ferăstrău pentru tăieri oblice combinate, întinse orizontal pe talpa rotativă.

Există două tipuri de cornișe și un tip de plintă obișnuite; cornișă la unghi de 52/38° față de perete, cornișă la unghi de 45° față de perete și plintă la unghi de 45° față de perete. Consultați ilustrațiile.

Fig.38

Există îmbinări pentru cornișe și plinte care sunt fabricate pentru a se potrivi la colțuri de 90° pe interior ((1) și (2) în Fig. A) și la colțuri de 90° pe exterior ((3) și (4) în Fig. A).

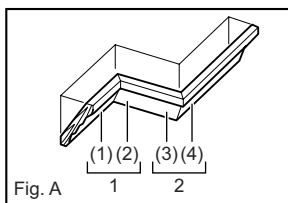


Fig. A

001556

1. Colț interior
2. Colț exterior

Fig.39

#### Măsurarea

Măsurați lungimea peretelui și reglați piesa de prelucrat pe masă pentru a tăia muchia de contact cu peretele la lungimea dorită. Asigurați-vă întotdeauna că lungimea piesei de prelucrat tăiate pe spatele piesei de prelucrat este aceeași cu lungimea peretelui. Reglați lungimea de tăiere pentru unghiul de tăiere. Utilizați întotdeauna mai multe piese pentru tăieri de testare în vederea verificării unghiurilor ferăstrăului.

La tăierea cornișelor și plintelor, setați unghiul de înclinare și unghiul de tăiere oblică după cum este indicat în tabelul (A) și poziționați-le pe fața superioară a tălpii ferăstrăului după cum este indicat în tabelul (B).

#### În cazul tăierii oblice la stânga

		Tabel (A)		Unghi de tăiere oblică	
		Unghi de înclinație		Unghi de tăiere oblică	
		Tip 52/38°	Tip 45°	Tip 52/38°	Tip 45°
Pentru colț interior	(1)	Stânga 33,9°	Stânga 30°	Dreapta 31,6°	Dreapta 35,3°
	(2)				
Pentru colț exterior	(3)			Dreapta 31,6°	Dreapta 35,3°
	(4)				

006361



Tabel (B)

	Poziție mulară în Fig. A	Muchie mulară sprijinită pe ghidajul opritor	Piesă finită
Pentru colț interior	(1)	Muchia de contact cu plafonul trebuie să se sprijine pe ghidajul opritor.	Piesa finită va fi pe partea Stângă a pânzei.
	(2)	Muchia de contact cu peretele trebuie să se sprijine pe ghidajul opritor.	
Pentru colț exterior	(3)	Muchia de contact cu plafonul trebuie să se sprijine pe ghidajul opritor.	Piesa finită va fi pe partea Dreaptă a pânzei.
	(4)	Muchia de contact cu peretele trebuie să se sprijine pe ghidajul opritor.	

006362

**Exemplu:**

În cazul tăierii cornișei tip 52/38° pentru poziția (1) din Fig. A:

- Înclinați și fixați setarea unghiului de înclinare la 33,9° STÂNGA.
- Reglați și fixați setarea unghiului de tăiere oblică la 31,6° DREAPTĂ.
- Plasați cornișa cu suprafața (ascunsă) posterioară lată pe talpa rotativă având MUCHIA DE CONTACT CU TAVANUL sprijinită de ghidajul opritor al ferăstrăului.
- Piesa finită care va fi folosită va fi întotdeauna pe partea STÂNGĂ a pânzei după efectuarea tăierii.

**În cazul tăierii oblice la dreapta**

Tabel (A)

	Poziție mulară în Fig. A	Unghi de înclinație		Unghi de tăiere oblică	
		Tip 52/38°	Tip 45°	Tip 52/38°	Tip 45°
Pentru colț interior	(1)	Dreapta 33,9°	Dreapta 30°	Dreapta 31,6°	Dreapta 35,3°
	(2)			Stânga 31,6°	Stânga 35,3°
Pentru colț exterior	(3)			Dreapta 31,6°	Dreapta 35,3°
	(4)			Dreapta 31,6°	Dreapta 35,3°

006363

Tabel (B)

	Poziție mulară în Fig. A	Muchia mulară sprijinită pe ghidajul opritor	Piesă finită
Pentru colț interior	(1)	Muchia de contact cu peretele trebuie să se sprijine pe ghidajul opritor.	Piesa finită va fi pe partea Dreaptă a pânzei.
	(2)	Muchia de contact cu plafonul trebuie să se sprijine pe ghidajul opritor.	
Pentru colț exterior	(3)	Muchia de contact cu peretele trebuie să se sprijine pe ghidajul opritor.	Piesa finită va fi pe partea Stângă a pânzei.
	(4)	Muchia de contact cu peretele trebuie să se sprijine pe ghidajul opritor.	

006364

**Exemplu:**

În cazul tăierii cornișei tip 52/38° pentru poziția (1) din Fig. A:

- Înclinați și fixați setarea unghiului de înclinare la 33,9° DREAPTĂ.
- Reglați și fixați setarea unghiului de tăiere oblică la 31,6° DREAPTĂ.
- Plasați cornișa cu suprafața (ascunsă) posterioară lată pe talpa rotativă având

MUCHIA DE CONTACT CU PERETELE sprijinită de ghidajul opritor al ferăstrăului.

- Piesa finită care va fi folosită va fi întotdeauna pe partea DREAPTĂ a pânzei după efectuarea tăierii.

**7. Tăierea pieselor extrudate din aluminiu****Fig.40****Fig.41**

Când fixați piese extrudate din aluminiu, folosiți blocuri distanțiere sau bucăți de deșeuri după cum se vede în figură, pentru a preveni deformarea aluminiului. Folosiți un lubrifiant de răcire și ungere atunci când tăiați piese extrudate din aluminiu pentru a preveni acumularea de material pe pânză.

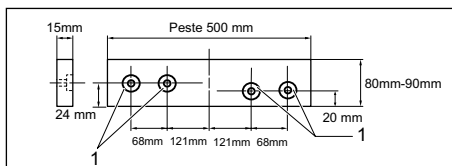
**⚠️ AVERTISMENT:**

- **Nu încercați niciodată să tăiați extruziuni groase sau rotunde din aluminiu.** Extruziunile groase sau rotunde din aluminiu pot fi dificil de fixat și se pot desprinde în timpul operației de tăiere, rezultând pierderea controlului și accidentări grave.

**8. Placaj de lemn**

Utilizarea placajului de lemn ajută la realizarea unor tăieri fără așchii a pieselor. Atașați un placaj de lemn la ghidajul opritor folosind găurile din ghidajul opritor.

Vezi figura în ceea ce privește dimensiunile recomandate pentru placajul de lemn.

**1. Găuri**

010563

**⚠️ ATENȚIE:**

- Folosiți o bucată de placaj de lemn dreaptă, cu grosime uniformă.

**⚠️ AVERTISMENT:**

- **Folosiți șuruburi pentru a atașa placajul de lemn la ghidajul opritor. Șuruburile trebuie instalate astfel încât capetele de șurub să se afele sub suprafața placajului din lemn și să nu interfeze cu poziționarea materialului de tăiat.** Alinierea incorectă a materialului de tăiat poate cauza o mișcare neașteptată în timpul operației de tăiere care poate duce la o pierdere a controlului și accidentări grave.

**NOTĂ:**

- Când este atașat placajul de lemn, nu rotiți masa rotativă cu mânerul coborât. Pânza și/sau placajul

de lemn vor fi deteriorate.

## 9. Tăierea nuturilor

Fig.42

O tăiere tip canelură poate fi executată după cum urmează:

Reglați poziția limitei inferioare a pânzei folosind șurubul de reglare și brațul opritor pentru a limita adâncimea de tăiere a pânzei. Consultați paragraful „Braț opritor” descris anterior.

După reglarea poziției limită inferioare a pânzei, tăiați nuturi paralele transversal pe lățimea piesei executând o tăiere prin glisare (împingere) după cum se vede în figură. Apoi îndepărtați materialul piesei dintre nuturi cu o daltă.

### ⚠️AVERTISMENT:

- **Nu încercați să efectuați acest tip de tăiere utilizând o pânză largă sau o pânză dado.** Încercarea de a efectua o tăiere tip canelură cu o pânză largă sau o pânză dado poate duce la tăieri neașteptate, recul și accidentări grave.
- **Asigurați-vă că readuceți brațul opritor în poziția inițială la efectuarea unei alte tăieri decât cea tip canelură.** Încercarea de a efectua tăieri cu brațul opritor într-o poziție incorectă, poate duce la rezultate neașteptate ale tăierii și la recul, rezultând accidentări grave.

### ⚠️ATENȚIE:

- Aveți grijă să readuceți brațul opritor în poziția inițială când executați alte tăieri decât nutuire.

## Transportarea mașinii

Fig.43

Asigurați-vă că unealta este deconectată. Fixați pânza la un unghi de înclinație de 0° și rotiți masa rotativă complet până la unghiul de tăiere oblică. Fixați glisierile astfel încât glisiera inferioară să fie blocată în poziția saniei complet trasă către operator, iar glisiera superioară să fie blocată în poziția saniei complet trasă spre ghidajul opritor (consultați secțiunea intitulată "Reglarea blocării glisării"). Coborâți mânerul complet și blocați-l în poziție coborâtă prin apăsarea știftului opritor.

Înfășurați cablul de alimentare cu ajutorul suporturilor de cablu.

### ⚠️AVERTISMENT:

- **Știftul opritor este destinat doar transportării și depozitării și nu va fi utilizat niciodată pentru alte operații de tăiere.** Utilizarea știftului opritor pentru operații de tăiere poate duce la mișcarea neașteptată a pânzei ferăstrăului, la recul și accidentări grave.

Transportați mașina apucând-o de ambele laturi ale tălpilor mașinii, după cum se vede în figură. Puteți transporta mașina mai ușor dacă demontați suporturile, sacul de praf etc.

### ⚠️ATENȚIE:

- Fixați întotdeauna toate piesele mobile înainte de a transporta mașina. Dacă părți ale unelei se mișcă sau glisează în timpul transportului, pierderea controlului sau echilibrului poate duce la accidentări grave.

## ÎNTREȚINERE

### ⚠️AVERTISMENT:

- **Asigurați-vă întotdeauna că unealta este oprită și decuplată de la alimentare înainte efectuării verificării și întreținerii.** Dacă unealta nu este oprită și decuplată de la alimentare, pot rezulta accidente grave în urma pomirii accidentale.
- **Asigurați-vă întotdeauna că pânza este ascuțită și curată pentru o operare cât mai bună și sigură.** Încercarea de tăiere cu o pânză neascuțită și/sau murdară poate cauza recul și accidentări grave.

### NOTĂ:

- Nu utilizați niciodată gazolină, benzină, diluant, alcool sau alte substanțe asemănătoare. În caz contrar, pot rezulta decolorări, deformări sau fisuri.

## Reglarea unghiului de tăiere

Această mașină este reglată și aliniată cu grijă din fabrică, însă manipularea dură poate afecta alinierea. Dacă mașina dumneavoastră nu este aliniată corespunzător, procedați după cum urmează:

### 1. Unghi de tăiere oblică

Fig.44

Împingeți sania către ghidajul opritor și strângeți șurubul de blocare pentru a fixa sania. Deșurubați mânerul care fixează talpa rotativă. Rotiți talpa rotativă astfel încât indicatorul să indice valoarea 0° pe scala pentru tăiere oblică. Apoi rotiți puțin talpa rotativă în sens orar și anti-orar pentru a cupla talpa rotativă în canelura pentru tăiere oblică de 0°. (Lăsați-o în poziția respectivă dacă indicatorul nu indică valoarea 0°.) Deșurubați șuruburile cu cap hexagonal care fixează ghidajul opritor folosind cheia tubulară.

Fig.45

Coborâți mânerul complet și blocați-l în poziție coborâtă prin apăsarea știftului opritor. Orientați fața laterală a pânzei perpendicular pe fața ghidajului opritor folosind un echer, un vinclu etc. Apoi strângeți ferm șuruburile cu cap hexagonal de la ghidajul opritor, succesiv, începând din dreapta.

Fig.46

Asigurați-vă că indicatorul indică valoarea 0° pe scala pentru tăiere oblică. Dacă indicatorul nu indică valoarea 0°, deșurubați șurubul care fixează indicatorul și reglați indicatorul ca să indice 0°.

## 2. Unghi de înclinare

### (1) Unghi de înclinare 0°

Fig.47

Împingeți sania către ghidajul opritor și strângeți șurubul de blocare pentru a fixa sania. Coborâți mânerul complet și blocați-l în poziție coborâtă prin apăsarea știftului opritor. Slăbiți pârghia de la spatele mașinii.

Fig.48

Rotiți șurubul cu cap hexagonal din partea dreaptă a brațului cu două sau trei rotații în sens anti-orar pentru a înclina pânza spre dreapta.

Fig.49

Orientați cu grijă fața laterală a pânzei perpendicular pe fața superioară a tălpii rotative folosind un echer, un vinclu etc. prin rotirea șurubului cu cap hexagonal din partea dreaptă a brațului în sens orar. Apoi strângeți bine pârghia.

Fig.50

Asigurați-vă că indicatorul de pe braț indică valoarea 0° pe scala pentru înclinare de la suportul brațului. Dacă indicatoarele nu indică valoarea 0°, deșurubați șurubul care fixează indicatorul și reglați-l astfel încât să indice 0°.

### (2) Unghi de înclinare 45°

Fig.51

Reglați unghiul de înclinare de 45° numai după ce ați efectuat reglarea unghiului de înclinare de 0°. Pentru a regla unghi de înclinare de 45° spre stânga, slăbiți pârghia și înclinați pânza complet spre stânga. Asigurați-vă că indicatorul de pe braț indică valoarea 45° pe scala pentru înclinare de la suportul brațului. Dacă indicatorul nu indică valoarea 45°, rotiți șurubul de reglare a unghiului de înclinare de 45° din partea dreaptă a suportului de braț până când indicatorul indică 45°.

Pentru a regla unghiul de înclinare de 45°, efectuați aceeași procedură descrisă mai sus.

Fig.52

Scoateți și verificați periile de cărbune în mod regulat. Înlocuiți-le atunci când se uzează până la 3 mm lungime. Păstrați periile de cărbune curate și libere pentru a aluneca în suporturi. Ambele perii de cărbune trebuie înlocuite concomitent. Folosiți numai perii de cărbune identice.

Fig.53

Folosiți o șurubelniță pentru a îndepărta capacul suportului periiilor de carbon. Scoateți periile de carbon uzate și fixați capacul pentru periile de carbon.

## După utilizare

- După utilizare, ștergeți așchile și praful depuse pe mașină cu o lavetă sau un material similar. Păstrați apărătoarea pânzei curată conform indicațiilor din paragraful intitulat „Apărătoarea pânzei” descris anterior. Lubrifiați piesele glisante cu ulei de mașină pentru a preveni oxidarea.
- Când depozitați mașina, trageți sania complet spre dumneavoastră.

Pentru a menține siguranța și fiabilitatea mașinii, reparațiile și reglajele trebuie să fie efectuate numai la Centrele de service autorizat Makita, folosindu-se piese de schimb Makita.

## ACCESORII OPȚIONALE

### ⚠️ AVERTISMENT:

- **Aceste accesorii și componente atașate Makita sunt recomandate pentru utilizare împreună cu unealta Makita specificată în acest manual.** Utilizarea altor accesorii sau componente atașate poate duce la accidentări grave.
- **Utilizați accesoriile și componentele atașate Makita doar în scopul destinat.** Utilizarea necorespunzătoare a accesoriilor sau componentelor atașate poate duce la accidentări grave.

Dacă aveți nevoie de asistență sau de mai multe detalii referitoare la aceste accesorii, adresați-vă centrului local de service Makita.

- Pânze de ferăstrău cu plăcuțe de oțel și carburi metalice

Pânze pentru ferăstrău de tăiere oblică	Pentru tăierea netedă și precisă a diferitelor materiale.
Combinatie	Pânză universală pentru spintecări, retezări și tăieri înclinate rapide și netede.
Tăiere transversală	Pentru tăieri mai netede ale fibrelor transversale. Taie cu precizie contra fibrei.
Retezări de calitate superioară	Pentru tăieri curate, fără șlefuire, de-a lungul fibrei.
Pânze pentru ferăstrău de tăiere oblică a metalelor neferoase	Pentru tăieri oblice în aluminiu, cupru, alamă, tuburi și alte materiale neferoase.

006526

- Opritor auxiliar dreapta
- Ansamblu menghină (menghină orizontală)
- Menghină verticală
- Cheie tubulară cu cheie inbus la celălalt capăt
- Suport
- Sac de praft
- Cot
- Echer

### NOTĂ:

- Unele articole din listă pot fi incluse ca accesorii standard în ambalajul de scule. Acestea pot diferi în funcție de țară.

## DEUTSCH (Originalanweisungen)

### Erklärung der Gesamtdarstellung

1-1. Anschlagstift	21-2. Schlüsselhalter	36-1. Halterung
2-1. Bolzen	22-1. Anschlagstift	38-1. Typ 52/38 ° Kranzformstück
3-1. Blattschutz	23-1. Steckschlüssel	38-2. Typ 45 ° Kranzformstück
4-1. Blattschutz	23-2. Sägeblattgehäuse	38-3. Typ 45 ° Wölbungsformstück
5-1. Schraube	23-3. Mittenabdeckung	39-1. Innenecke
5-2. Schlitzplatte	23-4. Sechskantschraube	39-2. Außenecke
6-1. Sägeblatt	23-5. Blattschutz	40-1. Gehrungsanschlag
6-2. Sägeblattzähne	24-1. Sägeblattgehäuse	40-2. Schraubklemme
6-3. Schlitzplatte	24-2. Steckschlüssel	40-3. Abstandsblock
6-4. Neigungsschnitt links	24-3. Sechskantschraube	40-4. Aluminiumprofil
6-5. Geradschnitt	24-4. Pfeil	40-5. Abstandsblock
6-6. Neigungsschnitt rechts	24-5. Spindelarretierung	41-1. Aluminiumprofil
7-1. Einstellschraube	25-1. Sägeblattgehäuse	41-2. Gehrungsanschlag
7-2. Drehteller	25-2. Pfeil	41-3. Abstandsblock
8-1. Drehteller-Oberfläche	25-3. Pfeil	41-4. Horizontal-Schraubklemme (optionales Zubehör)
8-2. Sägeblattumfang	25-4. Sägeblatt	42-1. Nuten mit Blatt schneiden
8-3. Gehrungsanschlag	26-1. Sechskantschraube (linksgängig)	44-1. Sechskantschraube
9-1. Stopperarm	26-2. Außenflansch	44-2. Gehrungsanschlag
9-2. Einstellschraube	26-3. Sägeblatt	44-3. Griff
10-1. Gehrungsskala	26-4. Ring	45-1. Gehrungsanschlag
10-2. Zeiger	26-5. Innenflansch	45-2. Einstelldreieck
10-3. Blockierungshebel	26-6. Spindel	46-1. Schraube
10-4. Griff	27-1. Steckschlüssel	46-2. Zeiger
11-1. Hebel	27-2. Sägeblattgehäuse	46-3. Gehrungsskala
12-1. Hebel	27-3. Mittenabdeckung	47-1. Hebel
12-2. Arm	27-4. Sechskantschraube	47-2. Arm
12-3. Zeiger	27-5. Blattschutz	48-1. 0 ° -Einstellschraube
12-4. Neigungsskala	28-1. Absaugstutzen	48-2. Einstellschraube für 45 ° -Neigungswinkel links
13-1. Hebel	28-2. Staubbeutel	49-1. Einstelldreieck
14-1. Zeiger	28-3. Verschluss	49-2. Sägeblatt
14-2. Freigabeschalter	29-1. Halterung	49-3. Drehtisch-Oberfläche
14-3. Neigungsskala	29-2. Drehteller	50-1. Schraube
15-1. Sicherungsschraube	30-1. Schiebeanschlag	50-2. Zeiger
16-1. Entsperrungstaste	30-2. Klemmschraube	50-3. Neigungsskala
16-2. Schalter	31-1. Schiebeanschlag	51-1. Einstellschraube für 45 ° -Neigungswinkel rechts
16-3. Hebel	32-1. Zusatzanschlag R	51-2. Einstellschraube für 45 ° -Neigungswinkel links
16-4. Loch für Schloss	32-2. Schrauben	53-1. Schraubendreher
17-1. Entsperrungstaste	33-1. Schraubklemmenarm	53-2. Kohlenhalterdeckel
17-2. Schalter	33-2. Schraubklemmenknopf	
17-3. Loch für Schloss	33-3. Stehbolzen	
18-1. Schalter für Laser	33-4. Schraube	
20-1. Batterie	33-5. Gehrungsanschlag	
21-1. Steckschlüssel mit Sechskantschlüssel am anderen Ende	34-1. Schraubklemmenplatte	
	34-2. Schraubklemmenmutter	
	34-3. Schraubklemmenknopf	

# TECHNISCHE DATEN

Modell	LS1018 / LS1018L
Sägeblattdurchmesser	255 mm - 260 mm
Dicke des Sägeblatt-Grundkörpers	1,6 mm - 2,4 mm
Lochdurchmesser	
Für alle Länder außerhalb Europas	25,4 mm
Für europäische Länder	30 mm
Maximale Schnittleistung (H x B) mit 260-mm-Durchmesser Sägeblatt	

Gehrungswinkel	Neigungswinkel		
	45° (links)	0°	45° (rechts)
0°	50 mm x 310 mm	91 mm x 310 mm	31 mm x 310 mm
45°	50 mm x 220 mm	91 mm x 220 mm	31 mm x 220 mm
60° (rechts)	-	91 mm x 153 mm	-

Leerlaufdrehzahl (min <sup>-1</sup> )	4.300
Lasertyp (nur LS1018L)	Roter Laser 650 nm, <1mW (Laserklasse 2)
Abmessungen (L x B x H)	825 mm x 536 mm x 633 mm
Netto-Gewicht	Für alle Länder außerhalb Europas.....19,8 kg Für europäische Länder.....19,9 kg
Sicherheitsklasse	II/III

- Aufgrund der laufenden Forschung und Entwicklung unterliegen die hier aufgeführten technischen Daten Veränderungen ohne Hinweis
- Die technischen Daten können für verschiedene Länder unterschiedlich sein.
- Gewicht entsprechend der EPTA-Vorgehensweise 01/2003

END222-1

## Symbole

Nachstehend sind Symbole aufgeführt, auf die Sie beim Werkzeuggebrauch stoßen können. Sie sollten noch vor Arbeitsbeginn ihre Bedeutung kennen.



- Lesen Sie die Bedienungsanleitung.



- ZWEIFACH-ISOLIERUNG



- Zur Vermeidung von Verletzungen durch umherfliegende Splitter halten Sie den Sägekopf nach dem Durchführen der Schnitte abgesenkt, bis das Sägeblatt zum völligen Stillstand gekommen ist.



- Wann immer Sie einen Zugschnitt ausführen, ziehen Sie den Schlitten zunächst ganz heran und drücken den Griff nach unten und drücken dann den Schlitten gegen den Gehrungsanschlag.



- Bringen Sie Ihre Hände oder Finger nicht in die Nähe des Sägeblatts.



- Stellen Sie Schiebeanschläge weit genug vom Sägeblatt entfernt ein, stellen Sie den Sägeblattschutz ordnungsgemäß ein.



- Entfernen Sie immer den ZUSATZANSCHLAG R, wenn Sie rechtsseitige Neigungsschnitte durchführen. **Zuwerdhandlungen**



können zu schweren Personenschäden führen.

- Schauen Sie nie in den Laserstrahl. Der direkte Laserstrahl kann Ihre Augen verletzen.



- Nur für EU-Länder  
Entsorgen Sie die elektrische Einrichtung nicht zusammen mit dem Hausmüll!

Auf Anordnung des Europarats 2002/96/EC über die Entsorgung von elektrischen und elektronischen Einrichtungen und ihrer Durchführung übereinstimmend mit den nationalen Gesetzen, müssen die elektrischen Einrichtungen, nachdem sie ausgedient haben, gesondert gesammelt und der ökologischen Wiederverwertung zugeführt werden.

ENE006-1

## Verwendungszweck

Das Werkzeug wurde für akkurate Gerad- und Gehrungsschnitte von Holz entwickelt. Mit entsprechenden Sägeblättern kann auch Aluminium gesägt werden.

ENF002-2

## Stromversorgung

Das Werkzeug darf ausschließlich an Einphasen-Wechselstrom mit der auf dem Typenschild angegebenen Spannung angeschlossen werden. Das Werkzeug verfügt über ein doppelt isoliertes Gehäuse und kann daher auch an einer Stromversorgung ohne

Schutzkontakt betrieben werden.

ENG905-1

### Geräuschpegel

Die typischen A-bewerteten Geräuschpegel, bestimmt gemäß EN61029:

Schalldruckpegel ( $L_{pA}$ ) : 97 dB(A)

Schalleistungspegel ( $L_{WA}$ ) : 103 dB(A)

Abweichung (K) : 3 dB(A)

### Tragen Sie Gehörschutz.

ENG900-1

### Schwingung

Schwingungsgesamtwerte (Vektorsumme dreier Achsen) nach EN61029:

Schwingungsbelastung ( $a_h$ ): 2,5 m/s<sup>2</sup> oder weniger  
Abweichung (K): 1,5 m/s<sup>2</sup>

ENG901-1

- Die deklarierte Schwingungsbelastung wurde gemäß der Standardtestmethode gemessen und kann für den Vergleich von Werkzeugen untereinander verwendet werden.
- Die deklarierte Schwingungsbelastung kann auch in einer vorläufigen Bewertung der Gefährdung verwendet werden.

### ⚠️ WARNUNG:

- Die Schwingungsbelastung während der tatsächlichen Anwendung des Elektrowerkzeugs kann in Abhängigkeit von der Art und Weise der Verwendung des Werkzeugs vom deklarierten Belastungswert abweichen.
- Stellen Sie sicher, dass Schutzmaßnahmen für den Bediener getroffen werden, die auf den unter den tatsächlichen Arbeitsbedingungen zu erwartenden Belastungen beruhen (beziehen Sie alle Bestandteile des Arbeitsablaufs ein, also zusätzlich zu den Arbeitszeiten auch Zeiten, in denen das Werkzeug ausgeschaltet ist oder ohne Last läuft).

ENH003-13

### Nur für europäische Länder

### EG-Konformitätserklärung

Wir, Makita Corporation als verantwortlicher Hersteller, erklären, dass die folgenden Geräte der Marke Makita:

Bezeichnung des Geräts:

Kapp- und Gehrungssäge

Nummer / Typ des Modells: LS1018, LS1018L

in Serienfertigung hergestellt wird und

den folgenden EG-Richtlinien entspricht:

2006/42/EC

Außerdem werden die Geräte gemäß den folgenden Standards oder Normen gefertigt:

EN61029

Die technische Dokumentation erfolgt durch unseren Bevollmächtigten in Europa:

Makita International Europe Ltd.

Michigan Drive, Tongwell,

Milton Keynes, Bucks MK15 8JD, England

6.11.2009



000230

Tomoyasu Kato

Direktor

Makita Corporation

3-11-8, Sumiyoshi-cho,  
Anjo, Aichi, 446-8502, JAPAN

GEA010-1

## Allgemeine Sicherheitshinweise für Elektrowerkzeuge

⚠️ **WARNUNG** Lesen Sie alle Sicherheitswarnungen und -anweisungen sorgfältig durch. Werden die Warnungen und Anweisungen ignoriert, besteht die Gefahr eines Stromschlags, Brands und/oder schweren Verletzungen.

**Bewahren Sie alle Warnhinweise und Anweisungen zur späteren Referenz gut auf.**

ENB034-6

## ZUSÄTZLICHE SICHERHEITSREGELN FÜR DAS WERKZEUG

- Tragen Sie eine Schutzbrille.**
- Halten Sie die Hände vom Weg des Sägeblatts fern. Vermeiden Sie jede Berührung des Sägeblattes bei laufender Maschine. Es kann noch immer schwere Verletzungen verursachen.**
- Vergewissern Sie sich, dass die Schutzvorrichtungen vorschriftsmäßig angebracht sind, bevor Sie die Säge einschalten. Prüfen Sie vor jeder Inbetriebnahme, ob der Blattschutz korrekt schließt. Verwenden Sie die Säge niemals, wenn der Blattschutz sich nicht ungehindert bewegen und unverzüglich schließen lässt. Der bewegliche Blattschutz darf niemals in der geöffneten Stellung festgeklemmt oder festgebunden werden.**
- Führen Sie keine Freihandarbeiten aus.** Das Werkstück muss bei allen Arbeiten festgespannt werden und am Gehrungsanschlag sowie am Drehteller anliegen. Sichern Sie das Werkstück nicht mit den Händen.

5. Greifen Sie nie hinter das Sägeblatt.
6. Schalten Sie das Gerät aus und warten Sie, bis das Sägeblatt zum Stillstand gekommen ist, bevor Sie das Werkstück bewegen oder Einstellungen an der Maschine vornehmen.
7. Ziehen Sie den Netzstecker, bevor Sie das Sägeblatt wechseln oder die Maschine warten.
8. Sichern Sie immer alle beweglichen Teile, bevor Sie das Werkzeug transportieren.
9. Der Anschlagstift, der den Sägekopf unten sichert, dient nur zu Transport- und Lagerzwecken und nicht für Schneidevorgänge.
10. Betreiben Sie das Gerät nicht in der Nähe leicht entzündlicher Flüssigkeiten oder Gase. Aufgrund des Elektrobetriebs des Werkzeugs kann eine Explosion oder ein Brand entstehen, wenn es entzündlichen Flüssigkeiten oder Gasen ausgesetzt ist.
11. Überprüfen Sie das Sägeblatt vor dessen Gebrauch sorgfältig auf Risse oder sonstige Beschädigungen. Wechseln Sie ein gesprungenes oder beschädigtes Sägeblatt unverzüglich aus.
12. Verwenden Sie nur die für dieses Werkzeug vorgeschriebenen Flansche.
13. Achten Sie sorgfältig darauf, dass Welle, Flansche (insbesondere deren Montageflächen) und Schraube nicht beschädigt werden. Eine Beschädigung dieser Teile kann zu Schäden am Sägeblatt führen.
14. Vergewissern Sie sich, dass der Drehteller arretiert ist und sich während des Sägebetriebes nicht bewegt.
15. Zur Sicherheit des Bedienenden sollten Abfallstücke und Kleinteile vor Beginn der Arbeit aus dem Arbeitsbereich entfernt werden.
16. Vermeiden Sie es, in Nägel zu schneiden. Untersuchen Sie das Werkstück auf Nägel, und entfernen Sie diese ggf. vor Arbeitsbeginn.
17. Vergewissern Sie sich, dass die Spindelarretierung gelöst ist, bevor Sie das Gerät einschalten.
18. Achten Sie darauf, dass das Sägeblatt in seiner niedrigsten Position die Drehplatte nicht berührt.
19. Halten Sie den Handgriff mit festem Griff. Die Säge kann sich während des Anlauf- bzw. Bremsvorgangs leicht nach oben oder unten bewegen.
20. Achten Sie vor dem Einschalten des Werkzeugs darauf, dass das Messer das Werkstück nicht berührt.
21. Bevor Sie das Werkzeug auf das zu bearbeitende Werkstück ansetzen, lassen Sie es einige Zeit ohne Last laufen. Achten Sie auf Vibrationen und Schlägen; beides gibt Aufschluss über ein schlecht ausgewuchtetes Messer oder kann auf einen nicht fachgerechten Einbau deuten.
22. Warten Sie mit der Arbeit, bis das Sägeblatt seine volle Drehzahl erreicht hat.
23. Unterbrechen Sie bei Auftreten von Störungen den Betrieb sofort.
24. Versuchen Sie nicht, den Schalter in der Ein-Stellung zu arretieren.
25. Arbeiten Sie immer mit voller Aufmerksamkeit, besonders bei sich wiederholenden, monotonen Bedienungsvorgängen. Lassen Sie sich nicht in falscher Sicherheit wiegen. Von Sägeblättern geht immer eine Gefahr aus.
26. Verwenden Sie nur die in dieser Anleitung empfohlenen Zubehörteile. Die Verwendung ungeeigneter Zubehörteile, wie z.B. Schleifscheiben, kann zu Verletzungen führen.
27. Verwenden Sie die Säge nicht, um andere Materialien als Holz, Aluminium oder ähnliche Werkstoffe zu sägen.
28. Schließen Sie Gehrungssägen beim Sägen an eine Staubabsaugvorrichtung an.
29. Wählen Sie die Sägeblätter entsprechend des zu schneidenden Materials.
30. Seien Sie bei Kehlschnitten vorsichtig.
31. Ersetzen Sie das Schlitzbrett, wenn es abgenutzt ist.
32. Verwenden Sie keine Sägeblätter, die aus HSS-Stahl hergestellt wurden.
33. Bestimmter Staub, der beim Betrieb entsteht, enthält Chemikalien, die Krebs, Geburtsschäden und andere Fortpflanzungsschäden verursachen kann. Beispiele für diese Chemikalien sind unter anderem:
  - Blei aus Material, das mit verbleitem Lack behandelt wurde, und
  - Arsen und Chrom aus chemisch behandeltem Holz.
 Ihr Risiko hängt davon ab, wie oft Sie sich diesen Arbeiten aussetzen. Reduzieren Sie die Häufigkeit, mit der Sie sich diesen Chemikalien aussetzen: Arbeiten Sie in einem gut belüfteten Bereich und arbeiten Sie mit den zugelassenen Schutzvorrichtungen, dazu gehören Staubmasken, die vor allem für die Filterung mikroskopischer Partikel vorgesehen sind.
34. Achten Sie darauf, dass das Sägeblatt immer scharf und sauber ist, um den Geräuschpegel niedrig zu halten.
35. Der Bediener sollte in der Verwendung, der Einstellung und dem Betrieb der Maschine ausreichend ausgebildet sein.
36. Verwenden Sie richtig geschliffene Sägeblätter. Beachten Sie die maximale Drehzahl, die auf

dem Sägeblatt angegeben ist.

37. Entfernen Sie keine Verschnitte oder andere Teile des Werkstücks aus dem Schneidbereich, während das Gerät läuft und sich der Sägekopf nicht in der Ruheposition befindet.
38. Verwenden Sie ausschließlich vom Hersteller empfohlene Sägeblätter, die EN847-1 entsprechen.
39. Tragen Sie beim Umgang mit Sägeblättern (Sägeblätter sollten möglichst in einem entsprechenden Halter getragen werden) und mit rauen Materialien Schutzhandschuhe.
40. Bei mit Laser ausgestatteten Werkzeugen ist der Austausch gegen einen Laser anderen Typs nicht zulässig. Reparaturen müssen unbedingt sachgerecht durchgeführt werden.

## BEWAHREN SIE DIESE ANWEISUNGEN AUF.

## INSTALLATION

### Werkbankaufstellung

#### Abb.1

Der Handgriff wird vor dem Versand werkseitig mit einem Arretierstift in der Tiefstellung verriegelt. Lösen Sie die Verriegelung, indem Sie den Handgriff etwas herunterdrücken und gleichzeitig den Arretierstift herausziehen.

#### Abb.2

Dieses Werkzeug ist mit vier Schrauben durch die Schraubenbohrungen im Gleitschuh des Werkzeugs auf einer waagerechten und stabilen Oberfläche zu montieren. So verhindern Sie ein Umkippen und mögliche Verletzungen.

## FUNKTIONSBESCHREIBUNG

### ⚠️ WARNUNG:

- **Schalten Sie das Werkzeug stets aus und ziehen Sie den Netzstecker, bevor Sie Einstellungen oder eine Funktionsprüfung am Werkzeug vornehmen.** Wenn Sie das Werkzeug nicht ausschalten und den Netzstecker nicht herausziehen, kann dies bei einem versehentlichen Starten zu schweren Verletzungen führen.

### Blattschutz

#### Abb.3

Wenn Sie den Handgriff absenken, hebt sich der Sägeblattschutz automatisch. Der Sägeblattschutz kehrt in seine Ausgangsstellung zurück, wenn Sie den Schnitt vollendet haben und den Handgriff anheben.

### ⚠️ WARNUNG:

- **Entfernen Sie niemals den Sägeblattschutz oder die Feder, die mit dem Schutz verbunden ist, und deaktivieren Sie diese Einrichtungen niemals.** Ein ungeschütztes Sägeblatt als Ergebnis eines unwirksamen Schutzes kann zu schweren Verletzungen während des Betriebs führen.

Halten Sie im Interesse Ihrer eigenen Sicherheit den Sägeblattschutz stets in ordnungsgemäßem Zustand. Etwaige Mängel am Sägeblattschutz müssen Sie unverzüglich beheben. Überprüfen Sie, dass die Feder den Schutz ordnungsgemäß in seine Position zurückbringt.

### ⚠️ WARNUNG:

- **Verwenden Sie das Werkzeug niemals, wenn der Sägeblattschutz oder die Feder beschädigt oder defekt sind oder entfernt wurden.** Ein Betrieb des Werkzeugs mit einem beschädigten oder fehlerhaften oder ohne Schutz kann zu schweren Verletzungen führen.

Wenn der transparente Sägeblattschutz schmutzig wird oder so viel Sägemehl an ihm haftet, dass das Sägeblatt und/oder das Werkstück nicht mehr ohne weiteres sichtbar sind, sollten Sie den Netzstecker der Säge herausziehen und den Sägeblattschutz mit einem feuchten Tuch sorgfältig reinigen. Verwenden Sie zum Reinigen des Sägeblattschutzes keine Lösungsmittel oder Reinigungsmittel auf Petroleumbasis, weil dadurch der Schutz beschädigt werden kann.

Falls der Sägeblattschutz verschmutzt ist und für einen ordnungsgemäßen Betrieb gereinigt werden muss, gehen Sie wie folgt vor:

Schalten Sie das Werkzeug aus, ziehen Sie den Netzstecker und lösen Sie die Sechskantschraube mit dem mitgelieferten Steckschlüssel, indem Sie die Mittenabdeckung drehen. Lösen Sie die Sechskantschraube, indem Sie sie gegen den Uhrzeigersinn drehen und heben Sie den Sägeblattschutz und die Mittenabdeckung an.

#### Abb.4

In dieser Position kann der Sägeblattschutz gründlicher und effizienter gereinigt werden. Wenn Sie die Reinigung abgeschlossen haben, führen Sie die oben beschriebenen Schritte in umgekehrter Reihenfolge durch und sichern Sie die Schraube wieder. Entfernen Sie die Feder, die den Sägeblattschutz hält, nicht. Wenn der Sägeblattschutz mit der Zeit oder durch Sonneneinstrahlung beschädigt wird, wenden Sie sich an ein Makita-Servicecenter, um einen neuen Sägeblattschutz zu erhalten. **ENTFERNEN SIE DEN SÄGEBLATTSCHUTZ NICHT UND DEAKTIVIEREN SIE IHN NICHT!**



## Positionierung der Schlitzplatte

### Abb.5

### Abb.6

Dieses Werkzeug ist mit Schlitzplatten im Drehteller versehen, um ein Zersplittern an der Außenseite eines Schnittes zu minimieren. Die Schlitzplatten sind werkseitig so eingestellt, dass das Sägeblatt sie nicht berührt. Stellen Sie vor der Verwendung die Schlitzplatten wie folgt ein:

Ziehen Sie zunächst den Netzstecker heraus. Lösen Sie alle Sicherungsschrauben (jeweils 3 links und rechts) der Schlitzplatten. Ziehen Sie die Schrauben nur so weit wieder an, dass sich die Schlitzplatten noch leicht von Hand bewegen lassen. Senken Sie den Handgriff ganz ab, und arretieren Sie den Griff in der Tiefstellung durch Einschieben des Anschlagstifts. Lösen Sie die Schraube, mit der die Schiebestangen gesichert sind. Ziehen Sie den Schlitten ganz zu sich heran. Stellen Sie die Schlitzplatten so ein, dass sie gerade die Seiten der Sägeblattzähne berühren. Ziehen Sie die vorderen Schrauben an (aber nicht ganz fest). Schieben Sie den Schlitten ganz gegen den Gehrungsanschlag und stellen Sie die Schlitzplatten so ein, dass sie gerade die Seiten der Sägeblattzähne berühren. Ziehen Sie die hinteren Schrauben an (aber nicht ganz fest).

Lösen Sie nach dem Einstellen der Schlitzplatten den Anschlagstift und heben Sie den Griff an. Ziehen Sie anschließend alle Schrauben fest an.

### HINWEIS:

- **Vergewissern Sie sich nach dem Einstellen des Neigungswinkels, dass die Schlitzplatten ordnungsgemäß ausgerichtet sind.** Eine korrekte Ausrichtung der Schlitzplatten unterstützt die Abstützung des Werkstücks, sodass das Herausreißen des Werkstücks vermindert wird.

### Beibehaltung der maximalen Schnittleistung

Dieses Werkzeug ist werkseitig so eingestellt, dass die maximale Schnittleistung mit einem 255-mm-Sägeblatt erreicht wird.

Ziehen Sie den Stecker heraus, bevor Sie Einstellungen vornehmen. Überprüfen Sie beim Anbringen eines neuen Sägeblatts den unteren Sägeblattanschlag und passen Sie ihn bei Bedarf wie folgt an:

### Abb.7

### Abb.8

Ziehen Sie zuerst den Netzstecker heraus. Drücken Sie den Schlitten ganz gegen den Gehrungsanschlag und senken Sie den Griff vollständig. Drehen Sie die Einstellschraube mit Hilfe des Sechskantschlüssels, bis der Sägeblattumfang am Berührungspunkt von Gehrungsanschlag-Vorderseite und Drehteller-Oberfläche geringfügig unterhalb der Drehteller-Oberfläche liegt.

Drehen Sie das Sägeblatt bei abgezogenem Netzstecker von Hand, während Sie den Handgriff in der Tiefstellung halten, um sicherzugehen, dass das Sägeblatt keinen

Teil des Auflagetisches berührt. Bei Bedarf ist eine Nachjustierung vorzunehmen.

### ⚠️WARNUNG:

- **Vergewissern Sie sich nach der Montage eines neuen Sägeblatts bei noch herausgezogenem Netzstecker stets, dass das Sägeblatt in der Tiefstellung des Handgriffs keinen Teil des Auflagetisches berührt.** Falls das Sägeblatt Kontakt zum Auflagetisch hat, kann dies zu einem Rückschlag führen und schwere Verletzungen verursachen.

### Stopperarm

### Abb.9

Die untere Begrenzungsposition des Blattes lässt sich leicht mit dem Stopperarm einstellen. Bewegen Sie hierzu den Stopperarm in Richtung der Pfeile, wie in der Abbildung dargestellt. Stellen Sie die Einstellschraube so ein, dass das Blatt bei vollständigem Absenken des Griffs an der gewünschten Position stoppt.

### Einstellung des Gehrungswinkels

### Abb.10

Lösen Sie den Griff durch Drehung gegen den Uhrzeigersinn. Drehen Sie den Drehteller, während Sie den Arretierhebel niederdrücken. Bewegen Sie den Griff, bis der Zeiger auf den gewünschten Winkel der Gehrungswinkelskala zeigt, und ziehen Sie dann den Griff durch Drehung im Uhrzeigersinn fest.

### ⚠️ACHTUNG:

- Sichern Sie den Drehteller nach jeder Änderung des Gehrungswinkels stets durch Anziehen des Griffs gegen Verdrehen.

### HINWEIS:

- Bringen Sie den Handgriff in die Hochstellung, bevor Sie den Drehteller drehen.

### Einstellen des Neigungswinkels

### Abb.11

Zum Einstellen des Neigungswinkels lösen Sie den Hebel an der Rückseite des Werkzeugs gegen den Uhrzeigersinn. Entriegeln Sie den Arm, indem Sie den Handgriff recht fest in die Richtung drücken, in die das Sägeblatt gekippt werden soll.

### ANMERKUNG:

- Der Hebel kann auf verschiedene Hebelwinkel eingestellt werden; entfernen Sie dazu die Schraube, die den Hebel festhält und sichern Sie den Hebel im gewünschten Winkel.

### Abb.12

Neigen Sie das Sägeblatt, bis der Zeiger auf den gewünschten Winkel der Neigungswinkelskala zeigt. Ziehen Sie dann den Hebel im Uhrzeigersinn an, um den Arm ordnungsgemäß zu befestigen.

### Abb.13

Zum Schwenken des Schlittens nach rechts schwenken Sie den Schlitten nach dem Lösen des Hebels und Drücken der Auslösetaste leicht nach links. Schwenken Sie den Schlitten bei gedrückter Auslösetaste nach rechts.

### Abb.14

Neigen Sie das Sägeblatt, bis der Zeiger auf den gewünschten Winkel der Neigungswinkelskala zeigt. Ziehen Sie dann den Hebel im Uhrzeigersinn an, um den Arm ordnungsgemäß zu befestigen.

- Achten Sie beim Ändern der Neigungswinkel darauf, die Schlitzplatten richtig zu positionieren, wie im Abschnitt „Positionierung der Schlitzplatten“ beschrieben.

### ⚠ACHTUNG:

- Sichern Sie den Arm nach jeder Änderung des Neigungswinkels stets durch Anziehen des Hebels im Uhrzeigersinn.

### HINWEIS:

- Bringen Sie den Handgriff in die Hochstellung, bevor Sie das Sägeblatt neigen.
- Achten Sie beim Ändern der Neigungswinkel darauf, die Schlitzplatten richtig zu positionieren, wie im Abschnitt „Positionierung der Schlitzplatten“ beschrieben.

## Anpassen der Schieberriegelung

### Abb.15

Zum Verriegeln der Schiebestange drehen Sie die Verriegelungsschraube im Uhrzeigersinn.

## Einschalten

### Für europäische Länder

### Abb.16

Damit der Auslöseschalter nicht versehentlich gezogen wird, befindet sich am Werkzeug eine Entsperrungstaste. Zum Start des Werkzeugs müssen Sie den Hebel nach links drücken, die Entsperrungstaste hineindrücken und dann den Auslöseschalter ziehen. Lassen Sie zum Ausschalten des Werkzeugs den Auslöseschalter los.

### ⚠WARNUNG:

- **Achten Sie vor dem Einstecken des Netzsteckers des Werkzeugs darauf, dass sich der EIN/AUS-Schalter korrekt bedienen lässt und beim Loslassen in die Position "OFF" (AUS) zurückkehrt. Drücken Sie niemals mit Gewalt auf den EIN/AUS-Schalter, ohne dabei die Entsperrungstaste zu betätigen. Dies kann zu einer Beschädigung des Schalters führen.** Der Betrieb eines Werkzeugs mit einem nicht ordnungsgemäß auslösenden Schalter kann zum Kontrollverlust und zu schweren Verletzungen führen.

Durch das Loch im Schalter können Sie zur Sicherung der Werkzeuge ein Schloss einsetzen.

## Für alle Länder außerhalb Europas

### Abb.17

Damit der Auslöseschalter nicht versehentlich gezogen wird, befindet sich am Werkzeug eine Entsperrungstaste. Zum Start des Werkzeugs müssen die Entsperrungstaste gedrückt und der Auslöseschalter gezogen werden. Lassen Sie zum Ausschalten des Werkzeugs den Auslöseschalter los.

### ⚠WARNUNG:

- **Achten Sie vor dem Einstecken des Netzsteckers des Werkzeugs darauf, dass sich der EIN/AUS-Schalter korrekt bedienen lässt und beim Loslassen in die Position "OFF" (AUS) zurückkehrt. Drücken Sie niemals mit Gewalt auf den EIN/AUS-Schalter, ohne dabei die Entsperrungstaste zu betätigen. Dies kann zu einer Beschädigung des Schalters führen.** Der Betrieb eines Werkzeugs mit einem nicht ordnungsgemäß auslösenden Schalter kann zum Kontrollverlust und zu schweren Verletzungen führen.

Durch das Loch im Schalter können Sie zur Sicherung der Werkzeuge ein Schloss einsetzen.

### ⚠WARNUNG:

- **Verwenden Sie keine Sperre mit einem Schaft oder Kabel mit einem Durchmesser unter 6,35 mm.** Ein dünnerer Schaft oder dünneres Kabel kann das Werkzeug möglicherweise nicht ordnungsgemäß in der Position „OFF“ verriegeln und ein unbeabsichtigter Betrieb kann zu schweren Verletzungen führen.
- **Verwenden Sie das Werkzeug NIEMALS ohne einen voll funktionstüchtigen EIN/AUS-Schalter.** Jedes Werkzeug mit einem nicht funktionierenden EIN/AUS-Schalter ist HÖCHST GEFÄHRLICH und muss vor dem weiteren Gebrauch repariert werden; andernfalls kann dies zu schweren Verletzungen führen.
- Zu Ihrer Sicherheit ist das vorliegende Werkzeug mit einer Entsperrungstaste ausgestattet, um zu verhindern, dass das Werkzeug versehentlich gestartet wird. Verwenden Sie NIEMALS das Werkzeug, wenn es durch einfaches Betätigen des EIN/AUS-Schalters startet, ohne dass Sie dabei die Entsperrungstaste drücken. Ein reparaturbedürftiger Schalter kann zu einem unbeabsichtigten Betrieb und schweren Verletzungen führen. Geben Sie VOR dem weiteren Gebrauch das Werkzeug an ein Makita-Servicecenter, um es dort ordnungsgemäß reparieren zu lassen.
- Setzen Sie NIEMALS die Entriegelungstaste außer Kraft, indem Sie diese festkleben oder ähnliches. Ein Schalter mit unwirksamer Entriegelungstaste kann zu einem unbeabsichtigten Betrieb und

schweren Verletzungen führen.

## **Elektronische Funktion**

### **Soft-Start-Funktion**

- Diese Funktion gestattet das weiche Anlaufen des Werkzeugs durch Begrenzung des Anlauf-Drehmoments.

## **Bedienung des Laserstrahls**

### **Nur für Modell LS1018L**

#### **ANMERKUNG:**

- Setzen Sie vor der ersten Verwendung zwei Batterien der Größe AA in das Batteriefach ein. Weitere Informationen zum Einbau finden Sie in Abschnitt „Austauschen der Batterien des Lasergeräts“.

#### **⚠ACHTUNG:**

- Schalten Sie den Laser unbedingt aus, wenn der Laser nicht genutzt wird

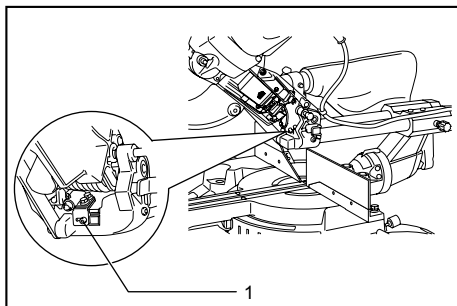
#### **Abb.18**

#### **⚠ACHTUNG:**

- Schauen sie nie in den Laserstrahl. Der direkte Laserstrahl kann Ihre Augen verletzen.
- LASERSTRAHLUNG - NICHT DIREKT IN DEN STRAHL SEHEN! LASERPRODUKT DER KLASSE 2.
- Ziehen Sie unbedingt den Netzstecker des Werkzeugs, bevor Sie die Laserlinie verschieben oder Wartungsarbeiten ausführen.

Zum Einschalten des Laserstrahls drücken Sie die obere Position (I) des Schalters. Zum Ausschalten des Laserstrahls drücken Sie die untere Position (O) des Schalters.

Die Laserlinie kann nach rechts und nach links neben das Sägeblatt verschoben werden; lösen Sie dazu die Halteschraube der Laserbaugruppe und schieben Sie den Laser in die gewünschte Richtung. Ziehen Sie die Schraube nach der Einstellung unbedingt wieder ordnungsgemäß fest.



1. Halteschraube der Laserbaugruppe

010473

Die Laserlinie ist werkseitig so eingestellt, dass sie sich innerhalb von 1 mm von der seitlichen Oberfläche des

Blattes befindet (Schnittposition).

#### **ANMERKUNG:**

- Wenn die Laserlinie abgedunkelt und wegen Sonnenlicht schwer sichtbar ist, setzen Sie die Arbeit an einer Stelle mit weniger Sonneinstrahlung fort.

## **Austauschen der Batterien des Lasergeräts**

### **Abb.19**

#### **Abb.20**

Drücken Sie auf die Batterieabdeckung und schieben Sie die Abdeckung ab. Entnehmen Sie die verbrauchten Batterien und setzen Sie die neuen Batterien wie in der Abbildung dargestellt ein. Bringen Sie die Batterieabdeckung wieder an.

## **Reinigen der Linse für das Laserlicht**

Wenn die Linse für das Laserlicht schmutzig wird oder soviel Sägemehl an ihr haftet, dass das Laserlicht nicht mehr ohne weiteres sichtbar sind, sollten Sie den Netzstecker der Säge ziehen und die Linse für das Laserlicht vorsichtig mit einem feuchten, weichen Tuch reinigen. Verwenden Sie keine Lösungsmittel oder Reinigungsmittel auf Petroleumbasis zum Reinigen der Linse.

#### **ANMERKUNG:**

- Wenn die Laserlinie abgedunkelt und wegen Sonnenlicht beinahe oder ganz unsichtbar ist, setzen Sie die Arbeit an einer Stelle fort, an der kein Sonnenlicht herrscht.

## **MONTAGE**

#### **⚠WARNUNG:**

- **Schalten Sie das Werkzeug stets aus und ziehen Sie den Netzstecker, bevor Sie Arbeiten am Werkzeug vornehmen.** Wird das Werkzeug nicht ausgeschaltet und der Netzstecker nicht herausgezogen, kann dies zu schweren Verletzungen führen.

## **Aufbewahrung des Steckschlüssels mit Sechskantschlüssel am anderen Ende**

### **Abb.21**

Den Steckschlüssel können Sie entsprechend der Abbildung aufbewahren. Wenn Sie den Steckschlüssel benötigen, ziehen Sie ihn aus dem Schlüsselhalter. Nach Verwendung des Steckschlüssels können Sie ihn wieder im Schlüsselhalter aufbewahren.

## **Montage und Demontage des Sägeblatts**

#### **⚠WARNUNG:**

- **Schalten Sie das Werkzeug aus und ziehen Sie den Netzstecker, bevor Sie das Sägeblatt einsetzen oder entfernen.** Ein versehentliches Starten des Werkzeugs kann zu schweren

Verletzungen führen.

- **Verwenden Sie zum Demontieren oder Montieren des Sägeblatts ausschließlich den mitgelieferten Steckschlüssel von Makita.** Bei Verwendung eines anderen Steckschlüssels besteht die Gefahr, dass die Sechskantschraube zu stark oder zu schwach angezogen wird und so schwere Verletzungen verursacht werden können.

#### Abb.22

Sichern Sie den Handgriff in der oberen Position, indem Sie den Anschlagstift hineindrücken.

#### Abb.23

Zum Demontieren des Sägeblatts lösen Sie zunächst die Sechskantschraube, mit der die Mittenabdeckung befestigt ist, durch Drehung gegen den Uhrzeigersinn mit dem Steckschlüssel. Dann heben Sie Blattschutz und Mittenabdeckung an.

#### Abb.24

Blockieren Sie die Spindel durch Drücken der Spindelarretierung, und lösen Sie die Sechskantschraube durch Drehung des Steckschlüssels im Uhrzeigersinn. Nehmen Sie dann Sechskantschraube, Außenflansch und Sägeblatt ab.

#### ANMERKUNG:

- Falls der Innenflansch entfernt wurde, prüfen Sie, dass er wieder auf der Spindel mit dem Vorsprung weg vom Sägeblatt angebracht wurde. Falls der Flansch nicht korrekt befestigt wurde, schleift der Flansch an der Maschine.

#### ⚠️ WARNUNG:

- **Bevor Sie das Sägeblatt auf der Spindel anbringen, sollten Sie immer sicherstellen, dass der richtige Ring für das Spindel Loch des Sägeblatts, das Sie verwenden möchten, zwischen dem Innen- und dem Außenflansch angebracht ist.** Die Verwendung eines Spindel Lochrings nicht der richtigen Größe führt zu einer fehlerhaften Montage des Sägeblatts und kann so eine Verschiebung des Sägeblatts und heftige Schwingungen verursachen, die zu einem möglichen Kontrollverlust während des Betriebs und schweren Verletzungen führen.

#### Abb.25

Zum Montieren schieben Sie das Sägeblatt vorsichtig auf die Spindel, wobei Sie darauf achten, dass der Pfeil auf dem Sägeblatt in dieselbe Richtung zeigt wie der Pfeil auf dem Sägeblattgehäuse.

Bringen Sie Außenflansch und Sechskantschraube an, und ziehen Sie dann die Sechskantschraube (linksgängig) bei gedrückter Spindelarretierung durch Drehung des Steckschlüssels gegen den Uhrzeigersinn fest.

## Für alle Länder außerhalb Europas

### Abb.26

#### ⚠️ WARNUNG:

- Der schwarze Ring mit einem äußeren Durchmesser von 25 mm und der silberne Ring mit einem äußeren Durchmesser von 25,4 mm sind werkseitig so angebracht, wie in der Abbildung gezeigt. Bei Verwendung eines Sägeblatts mit einem Lochdurchmesser von 25 mm tauschen Sie den silbernen gegen den schwarzen Ring aus. **Bevor Sie das Sägeblatt auf der Spindel anbringen, sollten Sie immer sicherstellen, dass der richtige Ring für das Spindel Loch des Sägeblatts, das Sie verwenden möchten, zwischen dem Innen- und dem Außenflansch angebracht ist.** Die Verwendung eines Spindel Lochrings nicht der richtigen Größe führt zu einer fehlerhaften Montage des Sägeblatts und kann so eine Verschiebung des Sägeblatts und heftige Schwingungen verursachen, die zu einem möglichen Kontrollverlust während des Betriebs und schweren Verletzungen führen.

### Für europäische Länder

#### ⚠️ ACHTUNG:

- Der silberne Ring mit einem äußeren Durchmesser von 30 mm ist werkseitig zwischen Innen- und Außenflansch befestigt.

Bringen Sie Außenflansch und Sechskantschraube an, und ziehen Sie dann die Sechskantschraube (linksgängig) bei gedrückter Spindelarretierung durch Drehung des Schraubenschlüssels gegen den Uhrzeigersinn fest.

### Abb.27

Bringen Sie Sägeblattschutz und Mittenabdeckung wieder in ihre Ausgangsstellung. Ziehen Sie dann die Sechskantschraube zur Sicherung der mittleren Abdeckung im Uhrzeigersinn an. Lösen Sie den Handgriff aus der oberen Position, indem Sie den Arretierstift herausziehen. Senken Sie den Handgriff ab, um zu prüfen, ob sich der Sägeblattschutz einwandfrei bewegt. Stellen Sie sicher, dass die Spindelarretierung die Spindel gelöst hat, bevor Sie einen Schnitt machen.

## Staubbeutel (Zubehör)

### Abb.28

Der Staubbeutel ermöglicht sauberes Arbeiten und einfaches Staubsammeln. Zum Anbringen wird der Staubbeutel auf den Absaugstutzen geschoben.

Wenn der Staubbeutel etwa halb voll ist, sollten Sie ihn vom Werkzeug entfernen und den Verschluss herausziehen. Leeren Sie den Inhalt des Staubbeutels, und schnippen Sie leicht dagegen, damit sich Partikel lösen, die möglicherweise an der Innenseite haften und eine weitere Sammlung behindern können.

## ANMERKUNG:

Wenn Sie einen Staubsauger an Ihre Säge anschließen, können Sie sauberer arbeiten.

## Sicherung des Werkstücks

### ⚠️ WARNUNG:

- **Die einwandfreie Sicherung des Werkstücks mit dem richtigen Schraubklemmentyp oder Kranzprofil-Stoppern ist äußerst wichtig.** Bei Nichtbeachtung kann dies zu schweren Verletzungen und einer Beschädigung des Werkzeugs und/oder Werkstücks führen.
- **Heben Sie das Sägeblatt nach erfolgtem Schnitt erst nach völligem Stillstand an.** Wenn Sie ein noch nachlaufendes Sägeblatt anheben, kann dies zu schweren Verletzungen und einer Beschädigung des Werkstücks führen.
- **Wenn Sie ein Werkstück schneiden, das länger als der Auflagetisch der Säge ist, müssen Sie das Material auf der gesamten Länge außerhalb des Auflagetisches und in der gleichen Höhe abstützen.** Durch eine richtige Abstützung des Werkstücks wird ein Einklemmen des Sägeblatts und ein möglicher Rückschlag vermieden; ein Rückschlag kann zu schweren Verletzungen führen. Verlassen Sie sich nicht nur auf den vertikalen und/oder horizontalen Schraubstock, um das Werkstück zu sichern. Dünne Materialien biegen sich leicht durch. Stützen Sie Werkstücke über die gesamte Länge ab, um zu verhindern, dass das Sägeblatt eingeklemmt wird und ZURÜCKSCHLÄGT.

### Abb.29

## Einstellen des Gehrungsanschlags (SCHIEBEANSCHLÄGE, die obere und untere Anschläge sind)

### Abb.30

### ⚠️ WARNUNG:

- Stellen Sie vor dem Einschalten des Werkzeugs sicher, dass der Schiebeanschlag gesichert ist.
- **Vergewissern Sie sich vor dem Fassungsschnitt, dass keine Werkzeugteile, vor allem das Sägeblatt, mit den oberen und unteren Anschlägen in Berührung kommen, wenn der Handgriff ganz abgesenkt oder angehoben wird und der Schlitten komplett gezogen oder geschoben wird.** Falls das Werkzeug oder Sägeblatt mit dem Anschlag in Berührung kommt, kann dies zu einem Rückschlag oder einer unerwarteten Bewegung des Werkstücks und schweren Verletzungen führen.

### Abb.31

### ⚠️ ACHTUNG:

- Bei linken Neigungsschnitten schieben Sie den Anschlag nach links und sichern Sie den Anschlag,

wie in der Abbildung gezeigt. Anderenfalls berührt der Anschlag das Sägeblatt oder ein Teil des Werkzeugs, und es kann zu Verletzungen kommen.

Dieses Werkzeug ist mit einem Schiebeanschlag ausgestattet, der für gewöhnlich wie in der Abbildung gezeigt positioniert wird.

Bei linken Neigungsschnitten stellen Sie den Anschlag auf die linke Position ein, wie in der Abbildung gezeigt, wenn der Werkzeugkopf den Anschlag berühren sollte.

Vergessen Sie nach dem Ausführen von Schnitten mit Neigung nicht, den Anschlag wieder in seiner ursprünglichen Position zu befestigen und durch festes Anziehen der Klemmschraube zu sichern.

## Zusatzanschlag R

### ⚠️ WARNUNG:

- Stellen Sie vor dem Einschalten des Werkzeugs sicher, dass der Zusatzanschlag R gesichert ist.
- Entfernen Sie vor dem Ausführen von rechten Neigungsschnitten unbedingt den Zusatzanschlag R. Dieser Anschlag würde das Sägeblatt oder ein Teil des Werkzeugs berühren, wodurch sich der Bediener schwer verletzen kann.

### Abb.32

Der Zusatzanschlag R kann von der rechten Seite des Gehrungsanschlags abgenommen werden. Um den Zusatzanschlag R abzunehmen, lösen Sie die Sicherungsschraube des Zusatzanschlags R und ziehen Sie den Anschlag ab. Um den Anschlag anzubringen, führen Sie die Schritte zum Abnehmen in umgekehrter Reihenfolge aus.

Vergessen Sie nach dem Ausführen von Schnitten mit Neigung nicht, den Zusatzanschlag R wieder in seiner ursprünglichen Position zu befestigen und durch festes Anziehen der Klemmschraube zu sichern.

## Vertikal-Schraubklemme

### Abb.33

Die Vertikal-Schraubklemme kann entweder auf der linken oder auf der rechten Seite des Gehrungsanschlags montiert werden. Setzen Sie den Stehbolzen in die Bohrung des Gehrungsanschlags oder der Grundplatte ein, und sichern Sie ihn durch Anziehen der Schraube.

Stellen Sie den Schraubklemmenarm auf die Abmessungen des Werkstücks ein, und sichern Sie ihn durch Anziehen der Schraube. Wenn die Schraube zur Sicherung des Schraubklemmenarms den Gehrungsanschlag berührt, bringen Sie sie auf der anderen Seite des Schraubklemmenarms an. Vergewissern Sie sich, dass keine Werkzeugteile mit der Schraubklemme in Berührung kommen, wenn der Handgriff ganz abgesenkt wird und der Schlitten komplett gezogen oder geschoben wird. Falls irgendwelche Teile mit der Schraubklemme in Berührung kommen, ist die Schraubklemme zu versetzen.

Drücken Sie das Werkstück flach gegen Gehrungsanschlag und Drehteller. Bringen Sie das Werkstück in die gewünschte Schnittposition, und sichern Sie es einwandfrei durch Anziehen des Schraubklemmenkopfes.

#### **⚠️ WARNUNG:**

- **Das Werkstück muss bei allen Arbeiten fest eingespannt werden und am Gehrungsanschlag sowie am Drehteller anliegen.** Falls das Werkstück nicht richtig am Anschlag gesichert ist, kann es sich während des Schnitts bewegen und so eine mögliche Beschädigung des Sägeblatts verursachen. Außerdem kann das Werkstück umherfliegen und zum Kontrollverlust und zu schweren Verletzungen führen.

### **Horizontal-Schraubklemme (optionales Zubehör)**

#### **Abb.34**

Die Horizontal-Schraubklemme kann in zwei Positionen auf der linken oder der rechten Seite der Grundplatte befestigt werden. Bei Gehrungsschnitten von 10° oder mehr bringen Sie die Horizontal-Schraubklemme auf der anderen Seite als der an, in die der Drehteller gedreht wird.

#### **Abb.35**

Durch Verschieben der Schraubklemmenmutter entgegen dem Uhrzeigersinn lösen Sie die Schraubklemme und können Sie diese schnell hinein- und herausbewegen. Zum Greifen des Werkstücks drücken Sie den Schraubklemmenknopf vorwärts, bis die Schraubklemmenplatte das Werkstück berührt, und klappen Sie dann die Schraubklemmenmutter im Uhrzeigersinn. Drehen Sie dann den Schraubklemmenknopf im Uhrzeigersinn, um das Werkstück zu sichern.

Die maximale Breite des Werkstücks, die durch die Horizontal-Schraubklemme gesichert werden kann, beträgt 215 mm.

Beim Anbringen der Horizontal-Schraubklemme auf der rechten Seite des Gleitschuhs verwenden Sie auch den Zusatzanschlag R, um das Werkstück besser zu sichern. Lesen Sie zur Montage des Zusatzanschlags R den Abschnitt "Zusatzanschlag R" weiter oben.

#### **⚠️ WARNUNG:**

- **Drehen Sie die Schraubklemmenmutter im Uhrzeigersinn, bis das Werkstück ordentlich gesichert ist.** Falls das Werkstück nicht richtig gesichert ist, kann es sich während des Schnitts bewegen und so eine mögliche Beschädigung des Sägeblatts verursachen. Außerdem kann das Werkstück umherfliegen und zum Kontrollverlust und zu schweren Verletzungen führen.
- Verwenden Sie beim Schneiden dünner Werkstücke, beispielsweise von Fußleisten, stets

die Horizontal-Schraubklemme gegen den Anschlag.

### **Halterungen**

#### **Abb.36**

Die Halterungen können auf einer der beiden Seiten als bequeme horizontale Halterung von Werkstücken angebracht werden. Schieben Sie die Stäbe der Halterung bis zum Anschlag in die Bohrungen der Grundplatte. Sichern Sie anschließend die Halterungen durch Festziehen der Schrauben.

#### **⚠️ WARNUNG:**

- **Stützen Sie lange Werkstücke immer auf eine Höhe mit der oberen Oberfläche des Drehtellers ab, um saubere Schnitte zu erreichen und einen gefährlichen Kontrollverlust über das Werkzeug zu vermeiden.** Durch eine richtige Abstützung des Werkstücks wird ein Einklemmen des Sägeblatts und ein möglicher Rückschlag vermieden; ein Rückschlag kann zu schweren Verletzungen führen.

## **ARBEIT**

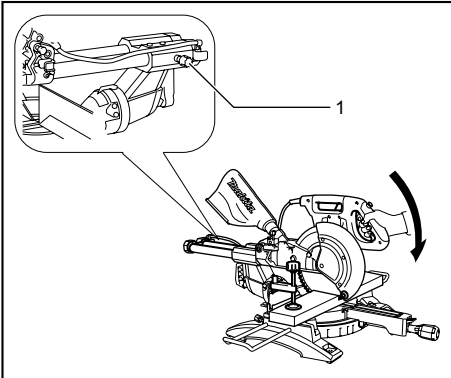
### **HINWEIS:**

- Achten Sie vor der Verwendung darauf, dass der Handgriff aus der abgesenkten Stellung gelöst wird, indem Sie den Anschlagstift ziehen.
- Üben Sie beim Schneiden keinen übermäßigen Druck auf den Handgriff aus. Zu starker Druck kann zu Überlastung des Motors und/oder verminderter Schnittleistung führen. Drücken Sie den Griff nur mit soviel Kraft nach unten, wie für einen sauberen Schnitt notwendig ist und ohne dass die Geschwindigkeit des Sägeblatts deutlich verringert wird.
- Drücken Sie den Griff vorsichtig nach unten, um den Schnitt auszuführen. Wenn der Griff mit Gewalt nach unten gedrückt wird oder wenn seitliche Kräfte darauf einwirken, vibriert das Sägeblatt und hinterlässt eine Riefe (Sägeriefe) im Werkstück, wodurch die Genauigkeit des Schnitts beeinflusst wird.
- Während eines Zugschnitts drücken Sie den Schlitten sanft gegen den Gehrungsanschlag, ohne anzuhalten. Wird die Schlittenbewegung während des Schnitts unterbrochen, so bleibt eine Riefe auf dem Werkstück zurück, und die Schnittpräzision wird beeinträchtigt.

#### **⚠️ WARNUNG:**

- **Achten Sie vor dem Einschalten des Werkzeugs darauf, dass das Sägeblatt das Werkstück usw. nicht berührt.** Wird das Werkzeug eingeschaltet, wenn ein Kontakt zum Werkstück besteht, kann dies zu einem Rückschlag und somit zu schweren Verletzungen führen.

## 1. Kappschnitt (Schneiden kleiner Werkstücke)



1. Sicherungsschraube

011409

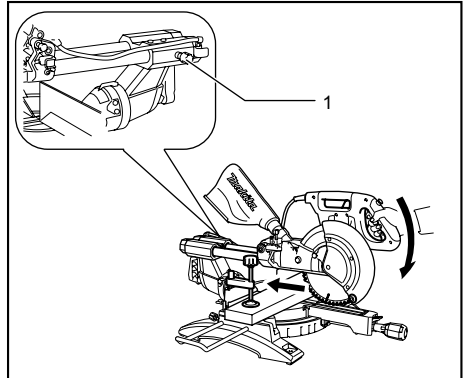
Werkstücke bis 91 mm Höhe und 70 mm Breite lassen sich wie folgt schneiden.

Drücken Sie den Schlitten ganz gegen den Gehrungsanschlag und ziehen Sie die Sicherungsschraube des Schlittens im Uhrzeigersinn an. Sichern Sie das Werkstück ordnungsgemäß mit dem richtigen Schraubklemmentyp. Schalten Sie das Werkzeug ein, ohne dass das Sägeblatt Kontakt hat, und warten Sie, bis das Sägeblatt seine volle Drehzahl erreicht, bevor Sie es absenken. Senken Sie dann den Handgriff langsam bis zur Tiefstellung ab, um das Werkstück zu schneiden. Sobald der Schnitt beendet ist, schalten Sie das Werkzeug aus und WARTEN SIE, BIS DAS SÄGEBLATT ZUM VÖLLIGEN STILLSTAND GEKOMMEN IST, bevor Sie das Sägeblatt wieder ganz anheben.

### **⚠️ WARNUNG:**

- **Ziehen Sie den Knopf im Uhrzeigersinn fest an, so dass sich der Schlitten während des Betriebs nicht bewegt.** Ist der Knopf unzureichend festgezogen, kann ein Rückschlag auftreten und schwere Verletzungen verursacht werden.

## 2. Zugschnitt (Drücken) (Schneiden kleiner Werkstücke)



1. Sicherungsschraube

011410

Lösen Sie die Sicherungsschraube gegen den Uhrzeigersinn, damit sich der Schlitten frei bewegen lässt. Sichern Sie das Werkstück mit dem richtigen Schraubklemmentyp. Ziehen Sie den Schlitten ganz zu sich heran. Schalten Sie das Werkzeug ein, ohne dass das Sägeblatt das Werkstück berührt, und warten Sie, bis das Sägeblatt seine volle Drehzahl erreicht. Drücken Sie den Griff herunter und **DRÜCKEN SIE DEN SCHLITTEN GEGEN DEN GEHRUNGSANSCHLAG UND DURCH DAS WERKSTÜCK.** Sobald der Schnitt beendet ist, schalten Sie das Werkzeug aus und **WARTEN SIE, BIS DAS SÄGEBLATT ZUM VÖLLIGEN STILLSTAND GEKOMMEN IST,** bevor Sie das Sägeblatt wieder ganz anheben.

### **⚠️ WARNUNG:**

- **Wenn Sie einen Zugschnitt ausführen, ziehen Sie den Schlitten zunächst ganz heran, drücken Sie den Griff nach unten und drücken Sie dann den Schlitten in Richtung Gehrungsanschlag. Starten Sie den Schnitt nie, wenn der Schlitten nicht ganz in Ihre Richtung gezogen ist.** Wenn Sie schneiden, ohne dass Sie den Schlitten ganz zu sich heran gezogen haben, kann ein unerwarteter Rückschlag auftreten und schwere Verletzungen verursachen.
- **Versuchen Sie niemals zu schneiden, indem Sie den Schlitten zu sich heranziehen.** Wenn Sie den Schlitten beim Schneiden zu sich heranziehen, kann ein unerwarteter Rückschlag auftreten und schwere Verletzungen verursachen.
- Führen Sie nie einen Zugschnitt aus, wenn der Griff in der unteren Position gesperrt ist.
- **Lösen Sie bei sich drehendem Sägeblatt niemals die Klemmschraube, die den Schlitten**

**sichert.** Ein gelöster Schlitten beim Schneiden kann einen unerwarteten Rückschlag und schwere Verletzungen verursachen.

### 3. Gehrungsschnitt

Nehmen Sie auf den vorhergehenden Abschnitt „Einstellen des Gehrungswinkels“ Bezug.

### 4. Neigungsschnitt

#### Abb.37

Lösen Sie den Hebel, und neigen Sie das Sägeblatt auf den eingestellten Neigungswinkel. (Nehmen Sie auf den vorhergehenden Abschnitt „Einstellen des Neigungswinkels“ Bezug.) Achten Sie darauf, den Hebel wieder fest anzuziehen, um den gewählten Neigungswinkel zu sichern. Sichern Sie das Werkstück mit einer Schraubklemme. Der Schlitten muss komplett zurück in Richtung Bediener gezogen sein. Schalten Sie das Werkzeug ein, ohne dass das Sägeblatt Kontakt hat, und warten Sie, bis das Sägeblatt seine volle Drehzahl erreicht. Senken Sie dann den Handgriff unter Druckausübung in Richtung des Sägeblatts sachte bis zur unteren Position ab, während Sie parallel zum Blatt Druck ausüben, und **DRÜCKEN SIE DEN SCHLITTEN GEGEN DEN GEHRUNGSANSCHLAG, UM DAS WERKSTÜCK ZU SCHNEIDEN.** Sobald der Schnitt beendet ist, schalten Sie das Werkzeug aus und **WARTEN, BIS DAS SÄGEBLATT ZUM VÖLLIGEN STILLSTAND GEKOMMEN IST,** bevor Sie das Blatt wieder ganz anheben.

#### ⚠️ WARNUNG:

- **Stellen Sie nach dem Einstellen des Sägeblatts für einen Neigungsschnitt und vor dem Schnitt sicher, dass der Schlitten und das Sägeblatt sich im gesamten Bereich des vorgesehenen Schnitts frei bewegen können.** Die Unterbrechung der Schlitten- oder Sägeblattbewegung während eines Schnitts kann einen Rückschlag und schwere Verletzungen verursachen.
- **Halten Sie die Hände während eines Neigungsschnitts vom Weg des Sägeblatts fern.** Der Winkel des Sägeblatts könnte den Bediener aufgrund des tatsächlichen Weges des Sägeblatts beim Schnitt verwirren; der Kontakt mit dem Sägeblatt führt zu schweren Verletzungen.
- **Das Sägeblatt darf erst nach völligem Stillstand angehoben werden.** Bei Neigungsschnitten kann das abgeschnittene Stück am Sägeblatt anliegen. Falls das noch rotierende Sägeblatt angehoben wird, kann das abgeschnittene Stück durch das Sägeblatt ausgeworfen und herausgeschleudert werden; dies kann zu schweren Verletzungen führen.

#### HINWEIS:

- Üben Sie den Druck beim Herunterdrücken des Griffs immer parallel zum Sägeblatt aus. Wenn Sie senkrecht zum Drehteller Druck ausüben oder wenn Sie die Druckrichtung während eines Schnittes ändern, wird die Schnittpräzision beeinträchtigt.
- Möglicherweise müssen Sie beim Neigungsschnitt den oberen und unteren Anschlag anpassen. Siehe Abschnitt „Einstellen des Gehrungsanschlags“.

#### ⚠️ ACHTUNG:

- Entfernen Sie stets den Zusatzanschlag R, damit beim Durchführen von Neigungsschnitten rechts kein Teil des Schlittens beeinträchtigt wird.

### 5. Compoundsschnitt

Unter Gehrungs-Neigungsschnitt versteht man das Schneiden eines Werkstücks mit Gehrungs- und Neigungswinkel gleichzeitig. Die Kombinationsmöglichkeiten entnehmen Sie bitte der Tabelle.

Gehrungswinkel	Neigungswinkel
Links und rechts 0°- 45°	Links und rechts 0°- 45°

009713

Wenn Sie Compoundsschnitte ausführen, beachten Sie die Erläuterungen unter „Kappschnitt“, „Zugschnitt“, „Gehrungsschnitt“ und „Neigungsschnitt“.

### 6. Schneiden von Kranz- und Wölbungsformstücken

Kranz- und Wölbungsformstücke können auf einer Kapp- und Gehrungssäge mit den Formstücken flach auf dem Drehteller geschnitten werden.

Es gibt zwei allgemeine Varianten an Kranzformstücken und eine an Wölbungsformstücken: 52/38°  
 Wandwinkel-Kranzformstück, 45°  
 Wandwinkel-Kranzformstück und 45°  
 Wandwinkel-Wölbungsformstück. Siehe Abbildungen.

#### Abb.38

Es gibt Kranz- und Wölbungsformstückverbindungen, die in 90° Innenecken ((1) und (2) in Abb. A) passen und 90° Außenecken ((3) und (4) in Abb. A).

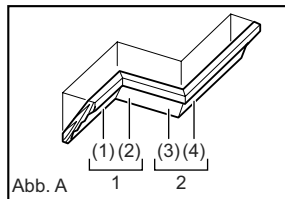


Abb. A

001556

1. Innenecke
2. Außenecke



## Abb.39

### Messen

Messen Sie die Wandlänge und passen Sie das Werkstück auf den Tisch, um die Wandkontaktkante auf die gewünschte Länge zu schneiden. Vergewissern Sie sich stets, dass die geschnittene Werkstücklänge an der Rückseite des Werkstücks der Wandlänge entspricht. Passen Sie die Schnittlänge auf den Schnittwinkel an. Testen Sie die Sägewinkel stets an verschiedenen Stücken aus.

Stellen Sie beim Schneiden von Kranz- und Wölbungsformstücken den Fasungswinkel und den Gehrungswinkel entsprechend Tabelle (A) ein und positionieren Sie die Formstücke auf der obersten Fläche des Sägeellers entsprechend Tabelle (B).

### Bei einem linken Fasungsschnitt

Tabelle (A)

	Formstückposition in Abb. A	Neigungswinkel		Gehrungswinkel	
		Typ 52/38°	Typ 45°	Typ 52/38°	Typ 45°
Für Innenecke	(1)	Links 33,9°	Links 30°	Rechts 31,6°	Rechts 35,3°
	(2)			Links 31,6°	Links 35,3°
Für Außenecke	(3)			Rechts 31,6°	Rechts 35,3°
	(4)			Rechts 31,6°	Rechts 35,3°

006361

Tabelle (B)

	Formstückposition in Abb. A	Formstückkante am Gehrungsanschlag	Fertiges Teil
Für Innenecke	(1)	Deckenkontaktkante sollte am Gehrungsanschlag sein.	Fertiges Teil wird an der linken Seite des Sägeblattes sein.
	(2)	Wandkontaktkante sollte am Gehrungsanschlag sein.	
Für Außenecke	(3)	Deckenkontaktkante sollte am Gehrungsanschlag sein.	Fertiges Teil wird an der rechten Seite des Sägeblattes sein.
	(4)	Wandkontaktkante sollte am Gehrungsanschlag sein.	

006362

### Beispiel:

Bei einem Schnitt vom Typ 52/38° Kranzformstück für Position (1) in Abb. A:

- Neigen und sichern Sie die Fasungswinkeleinstellung auf 33,9° LINKS.
- Korrigieren und sichern Sie die Gehrungswinkeleinstellung auf 31,6° RECHTS.
- Legen Sie das Kranzformstück mit der breiten (verborgenen) Rückseite nach unten auf den Drehteller, die DECKENKONTAKTKANTE muss dabei am Gehrungsanschlag an der Säge anliegen.
- Das fertige Werkstück ist nach dem Schnitt immer an der LINKEN Seite des Sägeblattes.

## Bei einem rechten Fasungsschnitt

Tabelle (A)

	Formstückposition in Abb. A	Neigungswinkel		Gehrungswinkel	
		Typ 52/38°	Typ 45°	Typ 52/38°	Typ 45°
Für Innenecke	(1)	Rechts 33,9°	Rechts 30°	Rechts 31,6°	Rechts 35,3°
	(2)			Links 31,6°	Links 35,3°
Für Außenecke	(3)			Rechts 31,6°	Rechts 35,3°
	(4)			Rechts 31,6°	Rechts 35,3°

006363

Tabelle (B)

	Formstückposition in Abb. A	Formstückkante am Gehrungsanschlag	Fertiges Teil
Für Innenecke	(1)	Wandkontaktkante sollte am Gehrungsanschlag sein.	Fertiges Teil wird an der rechten Seite des Sägeblattes sein.
	(2)	Deckenkontaktkante sollte am Gehrungsanschlag sein.	
Für Außenecke	(3)	Wandkontaktkante sollte am Gehrungsanschlag sein.	Fertiges Teil wird an der linken Seite des Sägeblattes sein.
	(4)	Deckenkontaktkante sollte am Gehrungsanschlag sein.	

006364

### Beispiel:

Bei einem Schnitt vom Typ 52/38° Kranzformstück für Position (1) in Abb. A:

- Neigen und sichern Sie die Fasungswinkeleinstellung auf 33,9° RECHTS.
- Korrigieren und sichern Sie die Gehrungswinkeleinstellung auf 31,6° RECHTS.
- Legen Sie das Kranzformstück mit der breiten (verborgenen) Rückseite nach unten auf den Drehteller, die WANDKONTAKTKANTE muss dabei am Gehrungsanschlag an der Säge anliegen.
- Das fertige Werkstück ist nach dem Schnitt immer an der RECHTEN Seite des Sägeblattes.

## 7. Schneiden von Aluminiumprofilen

### Abb.40

### Abb.41

Zur Sicherung von Aluminiumprofilen verwenden Sie - wie in der Abbildung gezeigt - Abstandsböcke oder Zulagen aus Hartholz, um Verformungen des Materials während des Schneidevorgangs zu vermeiden. Benutzen Sie beim Schneiden von dünnwandigen Aluminiumprofilen eine Schneidflüssigkeit, damit sich keine Aluminium-Rückstände am Sägeblatt ansammeln.

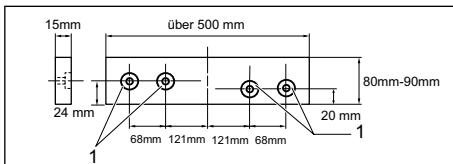
### ⚠️ WARNUNG:

- **Vollmaterialien mit großem Querschnitt und Rundmaterial dürfen mit diesem Werkzeug nicht bearbeitet werden.** Dicke oder runde

Aluminiumprofile können schwer zu sichern sein und sich während des Schnitts lösen, sodass Sie die Kontrolle verlieren und schwere Verletzungen erleiden können.

## 8. Zwischenbrett

Durch das Benutzen eines Zwischenbretts können Sie die Werkstücke ausrissfrei sägen. Die Bohrungen im Gehrungsanschlag dienen als Befestigungshilfe für ein Zwischenbrett. Hinweise für ein Zwischenbrett entnehmen Sie der Abbildung der Abmessungen.



### 1. Löcher

010563

#### ⚠️ACHTUNG:

- Benutzen Sie glatt gehobeltes Holz gleichmäßiger Dicke als Zwischenbrett.

#### ⚠️WARNUNG:

- Verwenden Sie Schrauben, um die Holzleiste auf der Seite des Gehrungsanschlages anzubringen. Die Schrauben sollten so angebracht werden, dass die Schraubenköpfe in der Oberfläche des Zwischenbretts versenkt sind, so dass die Positionierung des zu schneidenden Materials nicht behindert wird.** Eine Falschrichtung des zu schneidenden Materials kann während des Schneidvorgangs zu einem Kontrollverlust und schweren Verletzungen führen.

#### HINWEIS:

- Wenn das Zwischenbrett angebracht ist, drehen Sie den Drehteller nicht, wenn der Griff abgesenkt ist. Das Sägeblatt und/oder das Zwischenbrett können sonst beschädigt werden.

## 9. Schneiden von Nuten

### Abb.42

Quernute lassen sich wie folgt schneiden:

Stellen Sie die untere Begrenzungsposition des Blattes mit der Einstellschraube ein und den Stopperarm auf Begrenzung der Schnitttiefe des Blattes. Siehe den Abschnitt „Stopperarm“ weiter oben.

Nach Einstellen der unteren Anschlagposition für das Sägeblatt schneiden Sie mit einem Zugschnitt (Drücken) parallele Nuten über die Breite des Werkstückes, wie in der Abbildung dargestellt. Entfernen Sie anschließend mit einem Stechbeitel das zwischen den Nuten stehende Material.

#### ⚠️WARNUNG:

- Versuchen Sie nicht, diese Art von Schnitt mit einem breiteren Sägeblatt oder Quernutenblatt auszuführen.** Wenn Sie versuchen, eine Kerbe mit einem breiten Sägeblatt oder Quernutenblatt zu schneiden, können unerwartete Schnittergebnisse oder ein Rückschlag eintreten und schwere Verletzungen verursacht werden.
- Der Stopperarm muss auf seine Ausgangsposition zurückgesetzt sein, wenn Sie andere Schnitte als Nutenschnitte vornehmen.** Wenn Sie versuchen, einen Schnitt mit dem Stopperarm in der falschen Position durchzuführen, können unerwartete Schnittergebnisse oder ein Rückschlag eintreten und schwere Verletzungen verursacht werden.

#### ⚠️ACHTUNG:

- Der Stopperarm muss auf seine Ausgangsposition zurückgesetzt sein, wenn Sie andere Schnitte als Nutenschnitte vornehmen.

## Transport des Werkzeugs

### Abb.43

Vergewissern Sie sich, dass der Netzstecker herausgezogen ist. Sichern Sie das Sägeblatt in der 0°-Neigungswinkelstellung und den Drehteller in der Gehrungswinkelstellung ganz rechts. Sichern Sie die Schiebestäbe so, dass der untere Schiebestab in der Position des ganz herausgezogenen Schlittens verriegelt wird und die oberen Schiebestäbe in der Position des ganz in Richtung Gehrungsanschlag gedrückten Schlittens (siehe Abschnitt "Anpassen der Schiebeverriegelung"). Senken Sie den Handgriff ganz ab, und arretieren Sie ihn in der Tiefstellung durch Einschieben des Anschlagstifts.

Wickeln Sie das Netzkabel um die Netzkabelhalterungen.

#### ⚠️WARNUNG:

- Der Arretierstift dient nur zum Tragen und Lagern und ist nicht für den Schneidbetrieb vorgesehen.** Die Verwendung des Arretierstifts für den Schneidbetrieb kann eine unerwartete Bewegung des Sägeblatts und somit einen Rückschlag und schwere Verletzungen verursachen.

Halten Sie das Werkzeug zum Tragen an beiden Seiten des Gleitschuhs, wie in der Abbildung gezeigt. Wenn Sie Halterungen, den Staubbeutel usw. entfernen, können Sie das Werkzeug leichter tragen.

#### ⚠️ACHTUNG:

- Sichern Sie vor dem Transportieren des Werkzeugs immer die beweglichen Teile. Falls sich Teile des Werkzeugs während des Transports bewegen oder verschieben, können Sie die Kontrolle oder das Gleichgewicht verlieren und sich

schwere Verletzungen zuziehen.

## WARTUNG

### ⚠️ WARNUNG:

- **Schalten Sie das Werkzeug stets aus und ziehen Sie den Netzstecker, bevor Sie Prüfungen oder Wartungsarbeiten am Werkzeug durchführen.** Wird das Werkzeug nicht ausgeschaltet und wird der Netzstecker nicht herausgezogen, kann dies bei einem versehentlichen Starten des Werkzeugs zu schweren Verletzungen führen.
- **Achten Sie darauf, dass das Sägeblatt immer scharf und sauber ist, da nur so die besten Ergebnisse bei höchstmöglicher Sicherheit erreicht werden können.** Wenn Sie versuchen, einen Schnitt mit einem stumpfen und/oder verschmutzten Sägeblatt durchzuführen, kann dies zu einem Rückschlag führen und schwere Verletzungen verursachen.

### HINWEIS:

- Verwenden Sie zum Reinigen niemals Kraftstoffe, Benzin, Verdünnern, Alkohol oder ähnliches. Dies kann zu Verfärbungen, Verformungen oder Rissen führen.

### Einstellung des Schnittwinkels

Dieses Werkzeug wurde im Werk sorgfältig eingestellt und justiert. Die Einstellungen können jedoch durch Transporteinflüsse oder unsachgemäße Behandlung beeinträchtigt worden sein. Sollte Ihr Werkzeug einer Nachjustierung bedürfen, gehen Sie folgendermaßen vor:

#### 1. Gehrungswinkel

##### Abb.44

Drücken Sie den Schlitten gegen den Gehrungsanschlag und ziehen Sie die Sicherungsschraube an, um den Schlitten in seiner Position zu sichern.

Lösen Sie den Spanngriff, mit dem der Drehteller gesichert wird. Drehen Sie dann den Drehteller so, dass der Zeiger auf 0° auf der Gehrungswinkelskala zeigt. Drehen Sie dann den Drehteller leicht im und gegen den Uhrzeigersinn, so dass er auf die 0°-Gehrungskerbe zeigt. (Lassen Sie ihn so, wie er ist, wenn der Zeiger nicht auf 0° deutet.) Lösen Sie mit Hilfe des Steckschlüssels, die Sechskantschrauben, mit denen der Gehrungsanschlag gehalten wird.

##### Abb.45

Senken Sie den Handgriff ganz ab, und arretieren Sie ihn in der Tiefstellung durch Einschieben des Anschlagstifts. Bringen Sie die Seitenfläche des Sägeblatts mit Hilfe eines Einstelldreiecks, Anschlagwinkels usw. in den rechten Winkel zur Fläche des Gehrungsanschlags. Ziehen Sie dann

die Sechskant-Inbusschrauben des Gehrungsanschlags von rechts beginnend der Reihe nach fest.

##### Abb.46

Vergewissern Sie sich, dass der Zeiger auf 0° auf der Gehrungswinkelskala zeigt. Wenn der Zeiger nicht auf 0° zeigt, lösen Sie die Schraube, die den Zeiger sichert, und stellen den Zeiger auf 0° ein.

#### 2. Neigungswinkel

(1) Neigungswinkel 0°

##### Abb.47

Drücken Sie den Schlitten gegen den Gehrungsanschlag und ziehen Sie die Sicherungsschraube an, um den Schlitten in seiner Position zu sichern. Senken Sie den Handgriff ganz ab, und arretieren Sie ihn in der Tiefstellung durch Einschieben des Anschlagstifts. Lösen Sie den Hebel an der Rückseite des Werkzeugs.

##### Abb.48

Drehen Sie die Sechskantschraube auf der rechten Seite des Arms um zwei bis drei Umdrehungen gegen den Uhrzeigersinn, um das Sägeblatt nach rechts zu neigen.

##### Abb.49

Bringen Sie die Seitenfläche des Sägeblatts mit Hilfe eines Einstelldreiecks, Anschlagwinkels usw. in den rechten Winkel mit der Drehteller-Oberfläche, indem Sie die Sechskantschraube auf der rechten Seite des Arms im Uhrzeigersinn drehen. Ziehen Sie anschließend den Hebel fest an.

##### Abb.50

Vergewissern Sie sich, dass der Zeiger am Arm auf 0° der Neigungswinkelskala am Armhalter zeigt. Wenn die Zeiger nicht auf 0° zeigen, lösen Sie die Schraube, die den Zeiger sichert, und stellen den Zeiger auf 0° ein.

(2) Neigungswinkel 45°

##### Abb.51

Diese Einstellung des 45°-Neigungswinkels kann erst nach erfolgter Einstellung des 0°-Neigungswinkels durchgeführt werden. Zum Einstellen des linksseitigen 45°-Neigungswinkels lösen Sie den Hebel und neigen Sie das Sägeblatt vollständig nach links. Vergewissern Sie sich, dass der Zeiger am Arm auf 45° der Neigungswinkelskala am Armhalter zeigt. Falls der Zeiger nicht auf 45° zeigt, drehen Sie die Einstellschraube für 45°-Rasterung auf der rechten Seite des Armhalters, bis der Zeiger auf 45° zeigt. Zum Einstellen des 45°-Neigungswinkels rechts gehen Sie nach obiger Prozedur vor.

### Abb.52

Entfernen und überprüfen Sie die Kohlebürsten in regelmäßigen Abständen. Wenn diese bis auf eine Länge von 3 mm abgenutzt sind, müssen sie erneuert werden. Halten Sie die Kohlebürsten sauber und sorgen Sie dafür, dass sie locker in den Halterungen liegen. Ersetzen Sie beide Kohlebürsten gleichzeitig. Verwenden Sie nur identische Kohlebürsten.

### Abb.53

Schrauben Sie mit einem Schraubenzieher den Kohlenhalterdeckel ab. Wechseln Sie die verschlissenen Kohlen, legen Sie neue ein und schrauben Sie den Deckel wieder auf.

### Nach der Verwendung

- Wischen Sie nach der Verwendung Splitter und Staub, die am Werkzeug haften, mit einem Tuch oder etwas ähnlichem ab. Halten Sie den Blattschutz entsprechend den Hinweisen im vorhergehenden Abschnitt „Blattschutz“ sauber. Schmieren Sie die gleitenden Teile mit Maschinenöl ein, um ein Rosten zu verhindern.
- Ziehen Sie vor dem Lagern des Werkzeugs den Schlitzen bis zum Anschlag in Ihre Richtung.

Zur Aufrechterhaltung der SICHERHEIT und ZUVERLÄSSIGKEIT des Produkts müssen die Reparaturen und alle Wartungen und Einstellungen von den autorisierten Servicestellen der Firma Makita und unter Verwendung der Ersatzteile von Makita durchgeführt werden.

## SONDERZUBEHÖR

### ⚠️ WARNUNG:

- **Für das in diesem Handbuch beschriebene Makita-Werkzeug werden folgende Zubehör- und Zusatzteile von Makita empfohlen.** Die Verwendung anderer Zubehör- und Zusatzteile kann zu Verletzungen führen.
- **Verwenden Sie Zubehör- und Zusatzteile von Makita nur für den vorgesehenen Zweck.** Die Zweckentfremdung von Zubehör- und Zusatzteilen kann zu schweren Verletzungen führen.

Wenn Sie nähere Informationen bezüglich dieses Zubehörs benötigen, wenden Sie sich bitte an Ihre örtliche Servicestelle der Firma Makita.

- Sägeblätter mit Stahl- und Hartmetallsitzen

- Zusatzanschlag R
- Schraubklemmensatz (Horizontal-Schraubklemme)
- Vertikal-Schraubklemme
- Steckschlüssel mit Sechskantschlüssel am anderen Ende
- Halterung
- Staubbeutel
- Bogenrohr
- Einstelldreieck

### ANMERKUNG:

- Einige der in der Liste aufgeführten Elemente sind dem Werkzeugpaket als Standardzubehör beigelegt. Diese können in den einzelnen Ländern voneinander abweichen.

Gehrungssägeblätter	Für weiche und präzise Schnitte in verschiedene Materialien.
Kombination	Mehrzweck-Sägeblatt für schnelle und weiche Schlitz-, Trennschnitte und Gehrungsschnitte.
Trennschneiden	Für weichere Querschnitte. Scheiben frei an Laufrichtung.
Fein-Trennschnitte	Für sandfreie Schnitte frei gegen die Maserung.
Gehrungssägeblätter für nichteisenhaltige Metalle	Für Gehrungen in Aluminium, Kupfer, Messing, Rohre und andere nichteisenhaltige Metalle.

006526

## MAGYAR (Eredeti útmutató)

## Az általános nézet magyarázata

1-1. Rögzítőszeg	21-2. Kulcstartó	34-3. Befogó gombja
2-1. Fejescsavarok	22-1. Rögzítőszeg	36-1. Tartó
3-1. Fűrészlapvédő	23-1. Dugókulcs	38-1. 52/38 ° típusú díszléc
4-1. Fűrészlapvédő	23-2. Fűrészlapház	38-2. 45 ° típusú díszléc
5-1. Csavar	23-3. Tengelyvédő burkolat	38-3. 45 ° típusú ívprofilú díszléc
5-2. Felszakadásgátló	23-4. Hatlapfejű csavar	39-1. Belső sarok
6-1. Fűrészlap	23-5. Fűrészlapvédő	39-2. Külső sarok
6-2. Fűrészfogak	24-1. Fűrészlapház	40-1. Vezetőléc
6-3. Felszakadásgátló	24-2. Dugókulcs	40-2. Befogó
6-4. Balos ferdevágás	24-3. Hatlapfejű csavar	40-3. Távtartó tömb
6-5. Egyenes vágás	24-4. Nyíl	40-4. Sajtolt alumínium idom
6-6. Jobbos ferdevágás	24-5. Tengelyretesz	40-5. Távtartó tömb
7-1. Beállítócsavar	25-1. Fűrészlapház	41-1. Sajtolt alumínium idom
7-2. Forgóasztal	25-2. Nyíl	41-2. Vezetőléc
8-1. A forgóasztal felső lapja	25-3. Nyíl	41-3. Távtartó tömb
8-2. Fűrészlap széle	25-4. Fűrészlap	41-4. Vízszintes befogó (opcionális kiegészítő)
8-3. Vezetőléc	26-1. Hatlapfejű csavar (balmenetes)	42-1. Hornyolás fűrészlappal
9-1. Ütközőkar	26-2. Külső illesztőperem	44-1. Hatlapfejű csavar
9-2. Beállítócsavar	26-3. Fűrészlap	44-2. Vezetőléc
10-1. Gérvágó skála	26-4. Gyűrű	44-3. Markolat
10-2. Mutató	26-5. Belső illesztőperem	45-1. Vezetőléc
10-3. Zárretesz	26-6. Orsó	45-2. Háromszögvonalzó
10-4. Markolat	27-1. Dugókulcs	46-1. Csavar
11-1. Kar	27-2. Fűrészlapház	46-2. Mutató
12-1. Kar	27-3. Tengelyvédő burkolat	46-3. Gérvágó skála
12-2. Kar	27-4. Hatlapfejű csavar	47-1. Kar
12-3. Mutató	27-5. Fűrészlapvédő	47-2. Kar
12-4. Ferdevágó skála	28-1. Porkifúvó	48-1. 0 ° beállítócsavar
13-1. Kar	28-2. Porzsák	48-2. Bal 45 ° ferdevágási szög beállítócsavar
14-1. Mutató	28-3. Szorító	49-1. Háromszögvonalzó
14-2. Felengedő gomb	29-1. Támasz	49-2. Fűrészlap
14-3. Ferdevágó skála	29-2. Forgóasztal	49-3. A forgóasztal felső lapja
15-1. Zárócsavar	30-1. Vezetőléc	50-1. Csavar
16-1. Kireteszelőgomb	30-2. Szorítócsavar	50-2. Mutató
16-2. Kapcsoló kioldógomb	31-1. Vezetőléc	50-3. Ferdevágó skála
16-3. Kar	32-1. R kiegészítő vezetőléc	51-1. Jobb 45 ° ferdevágási szög beállítócsavar
16-4. Furat a lakat számára	32-2. Csavarok	51-2. Bal 45 ° ferdevágási szög beállítócsavar
17-1. Kireteszelőgomb	33-1. Befogókar	53-1. Csavarhúzó
17-2. Kapcsoló kioldógomb	33-2. Befogó gombja	53-2. Kefetartó sapka
17-3. Furat a lakat számára	33-3. Befogórúd	
18-1. A lézer kapcsolója	33-4. Csavar	
20-1. Szárazelem	33-5. Vezetőléc	
21-1. Imbuszkulccsal kombinált dugókulcs	34-1. Befogólemez	
	34-2. Befogó anyacsavarja	

# RÉSZLETES LEÍRÁS

Modell	LS1018 / LS1018L
Fűrészlap átmérője	255 mm - 260 mm
Fűrészlap vastagsága	1,6 mm - 2,4 mm
Furat átmérője	
Európán kívüli országok	25,4 mm
Európai országok	30 mm
Max. vágási kapacitás (M x SZ) 260 mm átmérőjű fűrészlappal	

Gérvágási szög	Ferdevágási szög		
	45° (bal)	0°	45° (jobb)
0°	50 mm x 310 mm	91 mm x 310 mm	31 mm x 310 mm
45°	50 mm x 220 mm	91 mm x 220 mm	31 mm x 220 mm
60° (jobb)	-	91 mm x 153 mm	-

Üresjáratú sebesség (min <sup>-1</sup> )	4300
Lézer típusa (csak LS1018L típus)	Vörös lézer 650 nm, < 1mW ( Laser Class 2 )
Méreték (H x SZ x M)	825 mm x 536 mm x 633 mm
Tiszta tömeg	Európán kívüli országok.....19,8 kg Európai országok.....19,9 kg

## Biztonsági osztály

- Folyamatos kutató- és fejlesztőprogramunk eredményeként az itt felsorolt tulajdonságok figyelemzetés nélkül megváltozhatnak.
- A tulajdonságok országról országra különbözhetnek.
- Súly, az EPTA 01/2003 eljárás szerint

END222-1



## Jelképek

A következőkben a berendezésen használt jelképek láthatók. A szerszám használata előtt bizonyosodjon meg arról hogy helyesen értelmezi a jelentésüket.



- Olvassa el a használati utasítást.



- KETTŐS SZIGETELÉS



- A repülő törmelék okozta sérülések elkerülése érdekében a vágás befejezése után tartsa lent a fűrészstartót mindaddig, amíg a fűrészlap teljesen meg nem áll.



- Csúszóvágáskor előbb húzza el a kocsit teljesen és nyomja le a fogantyút, majd nyomja a kocsit a vezetőléc felé.



- Ne tegye a kezét vagy az ujjait a fűrészlap közelébe.



- A vezetőléceket úgy állítsa be, hogy ne érjenek hozzá a fűrészlaphoz és védőburkolatához.



- Jobbos ferdevágások végzésekor mindig távolítsa el az R KIEGÉSZÍTŐ VEZETŐLÉCET. Ennek elmulasztása veszélyes sérüléseket okozhat a kezelőnek.



- Soha ne nézzen a lézerténybe. A közvetlen lézertücsugárzás károsíthatja a szemét.

- Csak az EU országaiban  
Ne dobjon ki elektromos berendezést háztartási hulladékkal együtt!  
Tekintettel az elektronikus és elektromos hulladékokkal foglalkozó 2002/96/EC európai uniós irányelvre és annak a nemzeti törvényekkel összhangban történő alkalmazására, az életkora végét elérő elektromos berendezéseket elkülönítve kell begyűjteni és természetbarát újrafelhasználó üzembem feldolgozni.

ENE006-1

## Rendeltetészerű használat

A szerszám pontos egyenes- és gérvágások végzésére használható faanyagokon. A megfelelő fűrészlapokkal alumínium is fűrészlehető.

ENF002-2

## Tápfeszültség

A szerszámot kizárólag olyan egyfázisú, váltóáramú hálózatra szabad kötni, amelynek feszültsége megegyezik az adattábláján szereplő feszültséggel. A szerszám kettős szigetelésű, ezért földelővezeték nélküli aljzatról is működtethető.

ENG905-1

## Zaj

A tipikus A-súlyozású zajszint, a EN61029szerint meghatározva:

angnyomásszint (L<sub>pA</sub>) : 97 dB(A)  
Hangteljesítményszint (L<sub>WA</sub>) : 103 dB(A)  
Bizonytalanság (K) : 3 dB(A)

**Viseljen fülvédőt.**

**Vibráció**

A vibráció teljes értéke (háromtengelyű vektorösszeg) EN61029 szerint meghatározva:

Vibráció kibocsátás ( $a_h$ ): 2,5 m/s<sup>2</sup> vagy kevesebb  
Bizonytalanság (K): 1,5 m/s<sup>2</sup>

ENG901-1

- A rezgés kibocsátás értéke a szabványos vizsgálati eljárásnak megfelelően lett mérve, és segítségével az elektromos kéziszerszámok összehasonlíthatók egymással.
- A rezgés kibocsátás értékének segítségével előzetesen megbecsülhető a rezgésnek való kitettség mértéke.

**⚠ FIGYELMEZTETÉS:**

- A szerszám rezgés kibocsátása egy adott alkalmazásnál eltérhet a megadott értéktől a használat módjától függően.
- Határozza meg a kezelő védelmét szolgáló munkavédelmi lépéseket, melyek az adott munkafeltételek melletti vibrációs hatás becsült mértékén alapulnak (figyelembe véve a munkaciklus elemeit, mint például a gép leállításának és üresjáratának mennyiségét az elindítások száma mellett).

ENH003-13

Csak európai országokra vonatkozóan

**EK Megfelelőségi nyilatkozat**

Mi, a Makita Corporation, mint a termék felelős gyártója kijelentjük, hogy a következő Makita gép(ek):

Gép megnevezése:

Kombinált csúszógérvágó

Típuszám/ Típus: LS1018, LS1018L

sorozatgyártásban készül, és

**Megfelel a következő Európai direktíváknak:**

2006/42/EC

És gyártása a következő szabványoknak valamint szabványosított dokumentumoknak megfelelően történik:

EN61029

A műszaki dokumentáció Európában a következő hivatalos képviselőnkél található:

Makita International Europe Ltd.

Michigan Drive, Tongwell,

Milton Keynes, Bucks MK15 8JD, Anglia

000230



Tomoyasu Kato

Igazgató

Makita Corporation

3-11-8, Sumiyoshi-cho,

Anjo, Aichi, 446-8502, JAPÁN

GEA010-1

## A szerszámgépekre vonatkozó általános biztonsági figyelmeztetések

⚠ FIGYELEM Olvassa el az összes biztonsági figyelmeztetést és utasítást. Ha nem tartja be a figyelmeztetéseket és utasításokat, akkor áramütést, tüzet és/vagy súlyos sérülést okozhat.

**Őrizzen meg minden figyelmeztetést és utasítást a későbbi tájékozódás érdekében.**

ENB034-6

## KIEGÉSZÍTŐ BIZTONSÁGI ELŐÍRÁSOK A SZERSZÁMRA VONATKOZÓAN

1. Viseljen szemvédőt.
2. Tartsa távol a kezeit a fűrészlap útvonalától. Ne érjen a lassuló fűrészlaphoz. Az még sérüléseket okozhat.
3. Ne működtesse a fűrész fűrészlapvédők nélkül. Minden használat ellenőrizze, hogy a fűrészlapvédő megfelelően zár. Ne működtesse a fűrész, ha a fűrészlapvédő nem mozog akadálymentesen és nem zár azonnal. Soha ne rögzítse vagy kösse ki a fűrészlapvédőt nyitott állásban.
4. Ne végezzen semmilyen műveletet csak a szabad kezével. A munkadarabot minden művelethez szilárdan rögzíteni kell a forgóasztal és a vezetőléc mentén a befogóval. Soha ne rögzítse a kezével a munkadarabot.
5. Ne nyújtózzon semmi után a fűrészlap pereme körül.
6. Kapcsolja ki a szerszámot és várja meg, amíg a fűrészlap forgása teljesen leáll, mielőtt elmozdítja a munkadarabot vagy megváltoztatja a beállításokat.
7. A fűrészlap cseréjekor vagy karbantartási munka végzése előtt húzza ki a szerszám csatlakozószinórját a hálózati aljzattól.
8. A szerszám szállítása előtt mindig rögzítse az összes mozgó alkatrészt.

9. A vágófejet rögzítő rögzítőszeg csak szállítási és tárolási célokra használható és nem a vágási műveletek során.
10. Ne használja a gépet gyúlékony folyadékok vagy gázok közelében. A gép elektromos működése gyúlékony folyadékok vagy gázok közelében robbanást okozhat.
11. Ellenőrizze a fűrészlapot repedések vagy sérülések tekintetében a használat előtt. Azonnal cserélje ki a megrepedt vagy sérült fűrészlapot.
12. Csak a szerszámhoz engedélyezett illesztőperemeket használja.
13. Ne rongálja meg a tengelyt, az illesztőperemet (különösen annak szerelési felületét) vagy a fejescsavart. Ezen alkatrészek károsodása a fűrészlap törését okozhatja.
14. Győződjön meg róla, hogy a forgóasztal megfelelően rögzítve van és nem mozdulhat el a használat során.
15. A biztonsága érdekében távolítsa el a forgácsokat, kisméretű anyagdarabokat az asztalról a használat előtt.
16. Kerülje a szegek átvágását. A művelet megkezdése előtt ellenőrizze a munkadarabot, és húzza ki belőle az összes szeget.
17. Ellenőrizze, hogy a tengelyretesz fel van engedve, mielőtt bekapcsolja a kapcsolót.
18. Ügyeljen rá, hogy a fűrészlap legalsó helyzetében ne érjen a forgóasztalhoz.
19. Erősen fogja a szerszámot. Ne feledje, hogy beindítás és leállítás közben a fűrész egy kicsit felfelé vagy lefelé mozog.
20. Ellenőrizze, hogy a fűrészlap nem ér a munkadarabhoz, mielőtt bekapcsolja a kapcsolót.
21. Mielőtt használja a szerszámot a tényleges munkadarabon, hagyja járni egy kicsit. Figyelje a rezgéseket vagy imbolygást, amelyek rosszul felszerelt vagy rosszul kiegyensúlyozott fűrészlapra utalhatnak.
22. A vágás megkezdése előtt várja meg, amíg a fűrészlap teljes sebességgel forog.
23. Ha bármilyen rendellenességet észlel, azonnal állítsa le a szerszámot.
24. Ne próbálja a kioldókapcsolót bekapcsolt állapotban rögzíteni.
25. Legyen folyamatosan éber, különösen az ismétlődő, egyhangú munkaműveletek közben. Ne hagyja magát hamis biztonságérzetbe ringatni. A fűrészlapok különösen könnyörtelenek.
26. Csak az ebben a kézikönyvben leírt tartozékokat használja. A nem rendeltetésszerű tartozékok, például a csiszolókorongok használata sérülést okozhat.
27. Tilos a fűrészgépet alumínium, fa és hasonló anyagok vágásán kívül más anyagok fűrészelésére használni.
28. A gérvágófűrészeket csatlakoztassa egy poredszívó berendezéshez fűrészeléskor.
29. A fűrészlapot mindig a vágandó anyag fajtája szerint válassza meg.
30. Horonyvágáskor legyen különösen elővigyázatos.
31. Az elkopott felszakadásgátlót cserélje ki.
32. Ne használjon gyorsacélból készült fűrészlapokat.
33. A használat folyamán keletkező fűrészporok némelyike olyan vegyi anyagokat tartalmaz, amelyek daganatos megbetegedést, születési rendellenességeket vagy egyéb nemzőszervi ártalmakat okoznak. Néhány példa az ilyen vegyi anyagokra:
  - ólom az ólomalapú festékekkel bevont munkadarabokból és
  - arzén az króm a vegykezelt faanyagokból.
 Az ilyen anyagok behatásának kockázata attól függ, hogy Ön milyen gyakran végez ilyen jellegű munkát. A behatás kockázatának csökkentése érdekében: dolgozzon jól szellőztetett helyen, és a munkavégzéshez használjon erre a célra jóváhagyott munkavédelmi felszereléseket, mint például olyan porvédő álarcolat, amelyet kifejezetten a mikroszkopikus részecskék kiszűrésére fejlesztettek ki.
34. A zajkibocsátás visszaszorítása érdekében mindig ellenőrizze, hogy a fűrészlap éles és tiszta.
35. A gép kezelőjének megfelelő szinten tisztában kell lennie a gép használatával, beállításával és működtetésével.
36. Használjon megfelelően megélezett fűrészlapot. Vegye figyelembe a fűrészlapon feltüntetett maximális sebességet.
37. Tartózkodjon a forgács vagy a munkadarab levágtott darabkáinak eltávolításától a vágási területről ha a szerszám működik és a vágófej nincs nyugalmi helyzetben.
38. Kizárólag a gyártó által javasolt, az EN847-1 szabványnak megfelelő fűrészlapokat használjon.
39. Viseljen kesztyűt a fűrészlapok és durva anyagok kezelésekor (a fűrészlapokat tartóban kell szállítani, ahol lehetséges).
40. Lézer felszerelése esetén a más lézertípusúval való csere nem engedélyezett. A javításokat megfelelően kell elvégezni.

## ŐRIZZE MEG EZEKET AZ UTASÍTÁSOKAT



# ÜZEMBEHELYEZÉS

## A munkaasztal összeszerelése

### Fig.1

A szerszámgépen szállításkor a fogantyút leeresztett állásban a rögzítőcsap biztosítja elmozdulás ellen. A rögzítőcsap kioldásához nyomja le kissé a fogantyút, közben húzza kifelé a csapot.

### Fig.2

Ezt a szerszámot négy csavarral kell egy vízszintes és stabil felülethez csavarozni a szerszám talplemezén található furatok segítségével. Ezzel elkerülhető annak felborulása és az esetleges sérülés.

## MŰKÖDÉSI LEÍRÁS

### ⚠ FIGYELMEZTETÉS:

- **A szerszám gép beállítása vagy ellenőrzése előtt feltétlenül kapcsolja azt ki, és húzza ki a tápkábelét.** Ennek elmulasztása véletlen elindulás esetén súlyos személyi sérülésekkel járhat.

### Fűrészlapvédő

#### Fig.3

A fogantyú leeresztésekor a fűrészlapvédő automatikusan felemelkedik. A vágás befejezésekor és a fogantyú felemelésekor a fűrészlapvédő visszatér az eredeti állásába.

### ⚠ FIGYELMEZTETÉS:

- **Soha ne akadályozza a fűrészlapvédő mozgását, és ne távolítsa el sem azt, sem a hozzá kapcsolódó rugót.** A nem megfelelően működő fűrészlapvédő miatt szabadon forgó fűrészlap súlyos személyi sérüléseket okozhat a munkavégzés során.

A személyes biztonsága érdekében a fűrészlapvédőt mindig tartsa jó állapotban. Ha a fűrészlapvédő hibásan működik, azt azonnal ki kell javítani. Ellenőrizze a fűrészlapvédő rugóterheléses visszatérítési funkcióját.

### ⚠ FIGYELMEZTETÉS:

- **Ne használja a szerszámgépet, sérült, hibás vagy hiányzó fűrészlapvédővel vagy rugóval.** A szerszám gép sérült, hibás vagy hiányzó fűrészlapvédővel vagy rugóval való használata súlyos személyi sérülésekhez vezethet.

Ha az átlátszó fűrészlapvédő annyira elkoszolódik, vagy ahhoz annyi fűrészpor tapad, hogy a fűrészlap és/vagy a munkadarab nehezen látható, áramtalanítsa a szerszámgépet, majd tisztítsa meg a fűrészlapvédőt egy nedves törleruhával. Ne használjon semmilyen benzín alapú tisztítószeret a műanyag fűrészlapvédő felületén, mert ezzel károsíthatja azt.

Ha a fűrészlapvédő elszennyeződik és a megfelelő munkavégzéshez tisztítani kell, kövesse az alábbi lépéseket:

Kapcsolja ki és áramtalanítsa a szerszámgépet, majd a mellékelt dugókulccsal lazítsa meg a középső burkolatot tartó hat lapfejű csavart. Hajtsa ki a csavart az óramutató járásával ellentétes irányba, majd emelje fel a fűrészlapvédőt és a középső burkolatot.

### Fig.4

Az így beállított fűrészlapvédővel a tisztítás gyorsabban és hatásosabban végezhető el. Amikor a tisztítást befejezte, végezze el a fenti eljárást fordított sorrendben, és húzza meg a csavart. Ne távolítsa el a fűrészlapvédőt feszítő rugót. Ha a fűrészlapvédő öregedés vagy UV fény hatásának következtében károsodik, akkor új védőburkolat beszerzése érdekében lépjen kapcsolatba egy Makita szervizközponttal. **NE TÁMOSSZA KI, VAGY TÁVOLÍTSA EL A FÜRÉSZLAPVÉDŐT.**

### A felszakadásgátló beállítása

#### Fig.5

#### Fig.6

A szerszám forgóasztala felszakadásgátlókkal van felszerelve a felszakadás minimalizálása érdekében a vágás kilépő oldalán. A felszakadásgátlók gyárilag úgy vannak beállítva, hogy a fűrészlap ne érintkezzen velük. A használat előtt állítsa be a felszakadásgátlókat a következő módon:

Először húzza ki a gép csatlakozósinóráját a hálózati aljzatból. Lazítsa meg a fűrészjáratos lapokat rögzítő csavarokat (3-3 db található a bal és a jobb oldalon). Ezután csak annyira húzza meg a csavarokat, hogy a fűrészjáratos lapok kézzel még könnyen mozgathatóak legyenek. Engedje le teljesen a fogantyút, és nyomja be a rögzítőszegyet a fogantyú leengedett helyzetben való rögzítéséhez. Lazítsa meg a csúszórudakat rögzítő csavarokat. Útközéig húzza maga felé a kocsit. Állítsa be a fűrészjáratos lapokat úgy, hogy azok éppen csak finoman érintsék a fűrészfogak oldalát. Húzza meg az előlő csavarokat (de ne erősen). Tolja el a kocsit a vezetőléc felé, majd állítsa be úgy a fűrészjáratos lapokat, hogy azok épphogy érintsék a fűrészfogak oldalát. Húzza meg a hátsó csavarokat (de ne erősen).

A fűrészjáratos lapok beállítása után húzza ki a rögzítőszegyet, és emelje fel a fogantyút. Ezután szorosan húzza meg az összes csavart.

### MEGJEGYZÉS:

- **A ferdevágási szög beállítása után ellenőrizze a fűrészjárt lapok megfelelő beállítását.** A fűrészjárt lapok megfelelő beállítása segíti a munkadarab megfelelő megtámasztását, így a roncsolás minimalizálható.

### A maximális vágóteljesítmény fenntartása

A szerszámgépet gyárilag úgy állították be, hogy 255 mm-es fűrészlappal nyújtson maximális vágási kapacitást. Minden beállítás előtt áramtalanítsa a szerszámgépet. Új fűrészlap felszerelésekor mindig ellenőrizze a fűrészlap alsó útközőpontját, és szükség esetén állítsa be azt a következő módon:

#### Fig.7

### Fig.8

Először húzza ki a gép csatlakozószinórját a hálózati aljzathból. Tolja át a kocsit a vezetőléchez ütközésig, és vigye a fogantyút legalsó helyzetébe. Az imbuszkulcs segítségével forgassa el a beállítócsavart úgy, hogy a fűrészlap pereme egy kicsivel a forgóasztal felszíne alá nyúljon annál a pontnál, amelynél a vezetőléc homlokfelülete a forgóasztal felszínével találkozik.

Áramtalanított szerszám mellett forgassa a fűrész kézzel, miközben a fogantyút folyamatosan lenyomva tartja, annak ellenőrzésére, hogy a fűrészlap nem ér az alsó alaplemezhez. Állítson kissé utána, ha szükséges.

### ⚠ FIGYELMEZTETÉS:

- **A szerszámgép áramtalanítása, majd ezt követően az új fűrészlap felszerelése után mindig ellenőrizze, hogy a fűrészlap teljesen leengedett fogantyú mellett nem érintkezik az alap egyetlen részével sem.** Ha a fűrészlap az alaphoz ér, az visszarugást okozhat, ami súlyos személyi sérüléssel járhat.

### Ütközőkar

#### Fig.9

A fűrészlap alsó határpozíciója könnyen állítható az ütközőkarral. Ennek beállításához fordítsa el az ütközőkart a nyíl irányába, az ábrán látható módon. Állítsa be a beállítócsavart úgy, hogy a fűrészlap a kívánt pozícióban álljon meg amikor teljesen leengedi a kart.

### A gérvágási szög beállítása

#### Fig.10

Lazítsa meg a rögzítőfogantyút, azt az óramutató járásával ellentétes irányba elfordítva. Fordítsa el a forgóasztalt, a reteszelőkart közben lenyomva. Amikor a rögzítőfogantyút abba a pozícióba állította, ahol a mutató a kívánt szögre mutat a gérvágás skálán, rögzítse a fogantyút, azt az óramutató járásának irányába elforgatva.

### ⚠ VIGYÁZAT:

- A gérvágási szög megváltoztatását követően mindig rögzítse a forgóasztalt, a rögzítőfogantyút szorosan meghúzva.

### MEGJEGYZÉS:

- A forgóasztal elfordításakor ügyeljen rá, hogy a fogantyú teljesen fel legyen emelve.

### A ferdevágási szög beállítása

#### Fig.11

A ferdevágási szög beállításához lazítsa meg a szabályozókart a szerszám hátsó részén, az óramutatót járásával ellentétes irányban elforgatva. Oldja ki a kart úgy, hogy a fogantyút kissé erősebben megnyomja abba az irányba, amelyikbe a fűrészlapot szeretné elfordítani.

### MEGJEGYZÉS:

- A szabályozókart különböző szögekbe lehet beállítani a szabályozókart rögzítő csavar

eltávolításával és a szabályozókar kívánt szögben történő rögzítésével.

#### Fig.12

Döntse meg a fűrészlapot addig, amíg a mutató nem mutatja a kívánt szöget a ferdevágás skálán. Ezután húzza meg a szabályozókart az óramutató járásának irányában a kar rögzítéséhez.

#### Fig.13

Amikor a kocsit jobbra dönti, előbb döntse kissé balra a kocsit a kar meglazítása után, majd nyomja meg a kioldógombot. Benyomott kioldógombbal döntse jobbra a kocsit.

#### Fig.14

Döntse meg a fűrészlapot addig, amíg a mutató nem mutatja a kívánt szöget a ferdevágás skálán. Ezután húzza meg a szabályozókart az óramutató járásának irányában a kar rögzítéséhez.

- A ferdevágási szögek megváltoztatásakor ügyeljen rá, hogy a felszakadásgátlókat is megfelelően beállítsa, a "A felszakadásgátló beállítása" fejezetben leírtaknak megfelelően.

### ⚠ VIGYÁZAT:

- A ferdevágási szög megváltoztatását követően mindig rögzítse a kart a szabályozókart az óramutató járásának irányában elforgatva.

### MEGJEGYZÉS:

- A fűrészlap billentését csak teljesen felemelt fogantyúnál végezze.
- A ferdevágási szögek megváltoztatásakor ügyeljen rá, hogy a felszakadásgátlókat is megfelelően beállítsa, a "A felszakadásgátló beállítása" fejezetben leírtaknak megfelelően.

### A csúszóretesz beállítása

#### Fig.15

A csúszórud rögzítéséhez fordítsa el a szorítócsavart az óramutató járásával megegyező irányába.

### A kapcsoló használata

#### Európai országok

#### Fig.16

A kioldókapcsoló véletlen meghúzásának elkerülésére egy kireteszelőgomb van felszerelve. A szerszám bekapcsolásához nyomja a kart balra, nyomja be a kireteszelőgombot és húzza meg a kioldókapcsolót. Engedje fel a kioldókapcsolót a leállításához.

### ⚠ FIGYELMEZTETÉS:

- **Mielőtt a szerszámgépet áram alá helyezi, mindig ellenőrizze, hogy a kioldókapcsoló hibátlanul működik, és felengedéskor visszatér „OFF” (ki) állásba. Ne húzza túlzott erővel a kioldókapcsolót úgy, hogy nem nyomta be a kireteszelő gombot. Ez a kapcsoló törését okozhatja. A hibás kapcsolóval működő szerszámgép fölött a kezelő elveszítheti az uralmat,**

és a szerszám gép súlyos személyi sérülést okozhat.

A kioldókapcsolóban egy furat található, amelybe egy lakat akasztható a szerszám kikapcsolt állapotában való kireteszeléséhez.

#### Európán kívüli országok

Fig.17

A kioldókapcsoló véletlen meghúzásának elkerülésére egy kireteszelőgomb van felszerelve. A szerszám bekapcsolásához nyomja be a kireteszelőgombot és húzza meg a kioldókapcsolót. Engedje fel a kioldókapcsolót a leállításához.

#### ⚠ FIGYELMEZTETÉS:

- **Mielőtt a szerszám gépet áram alá helyezi, mindig ellenőrizze, hogy a kioldókapcsoló hibátlanul működik, és felengedéskor visszatér „OFF” (ki) állásba. Ne húzza túlzott erővel a kioldókapcsolót úgy, hogy nem nyomta be a kireteszelő gombot. Ez a kapcsoló törését okozhatja.** A hibás kapcsolóval működő szerszám gép fölött a kezelő elveszítheti az uralmat, és a szerszám gép súlyos személyi sérülést okozhat.

A kioldókapcsolóban egy furat található, amelybe egy lakat akasztható a szerszám kikapcsolt állapotában való kireteszeléséhez.

#### ⚠ FIGYELMEZTETÉS:

- **Ne használjon 6,35 mm-nél kisebb átmérőjű szarát vagy sodronyt biztosításra.** A kisebb méretű szár vagy sodrony nem rögzíti leállított helyzetben megfelelően a szerszám gépet, aminek a véletlen elindulása súlyos személyi sérüléshez vezethet.
- **SOHA ne használja a szerszám gépet, ha a kioldókapcsoló nem teljesen üzemképes.** A szerszám gép használata hibás kioldókapcsolóval RENDKÍVÜL VESZÉLYES! A további használat előtt azt feltétlenül ki kel javítani, mert a további használat súlyos személyi sérülésekhez vezethet.
- Az Ön biztonsága érdekében ez a szerszám gép kireteszelő gombbal van felszerelve, ami meggátolja a szerszám gép véletlen beindulását. SOHA ne használja ezt a szerszám gépet, ha az akkor is beindul, amikor Ön meghúzza a kioldókapcsolót, de nem nyomja le a kireteszelő gombot. A javításra szoruló kapcsoló a gép szándékolatlan beindulásához vezethet, ami súlyos személyi sérüléssel járhat. A további használat ELŐTT vigye a szerszám gépet javításra egy MAKITA szervizközpontba.
- NE gátolja a kireteszelő kapcsoló üzemszerű működését azzal, hogy leragasztja, vagy más módon kitémasztja. Az üzemképtelenné tett kapcsoló a gép szándékolatlan beindulásához vezethet, ami súlyos személyi sérüléssel járhat.

## Elektronikus funkció

### Lágyindítás

- A funkció az indítási nyomaték korlátozása által finom indítást eredményez.

### A lézeres vezető működése

Csak az LS1018L típus esetén

### MEGJEGYZÉS:

- Első használat előtt, helyezzen be két AA szárazelemet az elemtartóba. A szárazelemek behelyezését lásd „A lézeregység szárazelemeinek cseréje” című részben.

### ⚠ VIGYÁZAT:

- Ügyeljen arra, hogy használaton kívül kapcsolja ki a lézersugarat

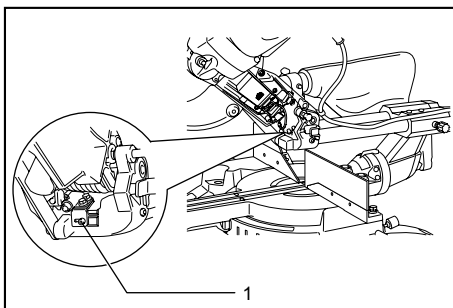
Fig.18

### ⚠ VIGYÁZAT:

- Soha ne nézzen a lézerefénybe. A közvetlen lézersugárzás károsíthatja a szemeit.
- **LÉZERSUGÁRZÁS, NE NÉZZEN A LÉZERFÉNYBE, 2. OSZTÁLYÚ LÉZERES TERMÉK.**
- A lézervonal elmozgatása vagy karbantartó beállítás megkezdése előtt húzza ki a gépet a hálózatról.

A lézerefény bekapcsolásához nyomja le a kapcsoló felső részét (I). A lézerefény kikapcsolásához nyomja le a kapcsoló alsó részét (0).

A lézervonal a fűrészlap akár bal, akár jobb oldala felé elmozgatható. Ehhez lazítsa meg a lézeregységet rögzítő csavart, majd mozgassa az egységet a kívánt irányba. Beállítás után húzza meg a rögzítőcsavart.



1. Lézeregységet rögzítő csavar

010473

A lézervonal gyárilag úgy van beállítva, hogy 1 mm-en belül legyen a fűrészlap oldalsó szélétől (vágási pozíció).

### MEGJEGYZÉS:

- Ha a lézercsík halvány és a közvetlen napfény miatt nehezen látható, helyezze át a munkaterületet olyan helyre, ahol nem éri közvetlen napfény.

## A lézerezység szárazelemeinek cseréje

Fig.19

Fig.20

Vegye le a lézerezység szárazelemeinek fedelét. Ehhez a fedelet lenyomva csúsztassa el azt. Az ábra szerinti vegye ki a régi elemeket, és helyezze tegye be az újakat. A cserét követően helyezze vissza a fedelet.

## A lézerefény lencséjének tisztítása

Ha a lézerefóráss lencséje annyira elkoszosodik, vagy ahhoz annyi fűrészpórt tapad, hogy a lézerefény nehezen látható, áramtalanítsa a fűrészt és távolítsa el, majd tisztítsa meg a lencsét egy nedves, puha törölruhával. Ne használjon oldószereket vagy bármilyen kőolajalapú tisztítószert a lencsén.

## MEGJEGYZÉS:

- Amikor a lézervonal elhalványult, és alig vagy egyáltalán nem látható a munkahely melletti ablakból beeső vagy közvetlen napfénytől, akkor változtassa meg a munkaterületet egy olyan helyre, ahol nincs közvetlen napsugárzás.

## ÖSSZESZERELÉS

### ⚠ FIGYELMEZTETÉS:

- A szerszámgépen végzendő tevékenység megkezdése előtt feltétlenül kapcsolja azt ki, és húzza ki a tápkábelét. Ennek elmulasztása véletlen beindulás esetén súlyos személyi sérülésekkel járhat.

## Az imbuzkulccsal kombinált dugókulcs tárolóhelye

Fig.21

A dugókulcsot az ábrán látható módon kell tárolni. Ha szükség van a dugókulcsra, az a tartójából kihúzható. A dugókulcs használat után visszahelyezhető a tartójába.

## A fűrészlap felhelyezése vagy eltávolítása

### ⚠ FIGYELMEZTETÉS:

- A fűrészlap fel- vagy leszerelése előtt mindig győződjön meg arról, hogy a szerszámgép ki van kapcsolva, a tápkábele pedig ki lett húzva. A szerszámgép véletlen beindulása súlyos személyi sérülésekkel járhat.
- A fűrészlap le- és felszerelését csak a mellékelt Makita dugókulccsal végezze. Más szerszám használata esetén a csavar túlhúzható, vagy nem húzható meg eléggé, ami súlyos személyi sérülésekkel is járhat.

Fig.22

Rögzítse a fogantyút felemelt pozícióban a rögzítőszeg benyomásával.

Fig.23

A fűrészlap eltávolításához a dugókulccsal lazítsa meg a tengelyvédő burkolatot tartó hatlapfejű csavart, azt az óramutató járásával ellentétesen elforgatva. Emelje fel a fűrészlapvédőt és a tengelyvédő burkolatot.

Fig.24

Nyomja be a tengelyreteszt az orsó rögzítéséhez, a dugókulcs segítségével lazítsa meg a hatlapfejű csavart, az óramutató járása szerinti irányban elforgatva azt. Ezután csavarja le a hatlapfejű csavart, majd vegye le a külső illesztőperemet és a fűrészlapot.

## MEGJEGYZÉS:

- Ha a belső illesztőperemet eltávolította, ügyeljen rá, hogy azt a kiemelkedő részével a tengely felé szerelje vissza a tengelyre. Az illesztőperem helytelen felszerelés esetén a géphez ér.

### ⚠ FIGYELMEZTETÉS:

- Mielőtt a fűrészlapot felszereli a tengelyre, ellenőrizze, hogy a megfelelő illesztőgyűrűt helyezte a belső és a külső perem közé. A nem megfelelő illesztőgyűrű használata nem kielégítő rögzítési eredményez, amitől a fűrészlap elmozdulhat. Ettől erős vibráció alakulhat ki, ami a szerszámgép feletti uralom elvesztéséhez és súlyos személyi sérüléshez vezethet.

Fig.25

A fűrészlap felszereléséhez tegye azt óvatosan az orsóra, ügyelve arra, hogy fűrészlap oldalán látható nyíl egybeessen a fűrészlapházon látható nyállal. Helyezze fel a külső illesztőperemet és a hatlapfejű csavart, majd a dugókulccsal húzza meg a hatlapfejű csavart (balmenetes) az óramutató járásával ellentétesen forgatva azt, a tengelyreteszt közben benyomva tartva.

## Európán kívüli országok

Fig.26

### ⚠ FIGYELMEZTETÉS:

- A 25 mm-es külső átmérőjű fekete gyűrű és a 25,4 mm-es külső átmérőjű ezüst gyűrű gyárilag vannak felszerelve, az ábrának megfelelően. Amikor 25 mm-es furatátmérőjű fűrészlapot használ, cserélje ki az ezüst gyűrűt a feketével. Mielőtt a fűrészlapot felszereli a tengelyre, ellenőrizze, hogy a megfelelő illesztőgyűrűt helyezte a belső és a külső perem közé. A nem megfelelő illesztőgyűrű használata nem kielégítő rögzítést eredményez, amitől a fűrészlap elmozdulhat. Ettől erős vibráció alakulhat ki, ami a szerszámgép feletti uralom elvesztéséhez és súlyos személyi sérüléshez vezethet.

## Európai országok

### ⚠ VIGYÁZAT:

- A 30 mm-es külső átmérőjű gyűrű gyárilag van a belső és külső illesztőperemek közé szerelve.

Helyezze fel a külső illesztőperemet és a hatlapfejű csavart, majd a dugókulccsal húzza meg a hatlapfejű csavart, az óramutató járásával ellentétesen forgatva azt, a tengelyretestt közben benyomva tartva.

#### Fig.27

Állítsa vissza a fűrészlapvédőt és a tengelyvédő burkolatot az eredeti helyzetbe. Ezután húzza meg a hatlapfejű csavart az óramutató járásának irányába a középső burkolat rögzítéséhez. Oldja ki fogantyút a felemelt pozícióból a rögzítőcsap kihúzásával. Engedje le a fogantyút annak ellenőrzésére, hogy a fűrészlapvédő megfelelően elforog. Ügyeljen rá, hogy a tengelyretests kijöjjön az orsóból, mielőtt elkezdi a vágást.

#### Porzsák (tartozék)

##### Fig.28

A porzsák használata a vágási műveleteket tisztává, a por összegyűjtését pedig egyszerűvé teszi. A porzsák csatlakoztatásához illessze azt a porkifűvóra. Amikor a porzsák nagyjából a feléig megtelt, távolítsa el azt a szerszámról és húzza ki a rögzítőt. Ürítse ki a porzsák tartalmát, óvatosan megütögetve az oldalát az oldalához tapadt szemcsék eltávolítása érdekében, melyek akadályozhatják a por összegyűjtését.

#### MEGJEGYZÉS:

Ha a fűrészhez porszívót csatlakoztat, akkor tisztább megmunkálást tud végezni.

#### A munkadarab rögzítése

##### △FIGYELMEZTETÉS:

- **Rendkívül fontos a munkadarab rögzítése a megfelelő szorító vagy díslécütköző segítségével.** Ennek elmulasztása súlyos személyi sérüléshez, valamint a szerszámgép és/vagy a munkadarab károsodásához vezethet.
- **A vágás befejezése után csak akkor emelje fel a fűrészlapot, ha már teljesen leállt.** A még forgó fűrészlap felemelése súlyos személyi sérüléshez, valamint a munkadarab károsodásához vezethet.
- **Ha fűrészgép alátámasztó felületénél hosszabb a munkadarab, a szintben tartásához a szabadon függő részt azonos szinten alá kell támasztani.** A megfelelő alátámasztással megelőzhető a fűrészlap megszorulása és esetleges visszarúgása, ami súlyos személyi sérüléssel járhat. Ne csak a függőleges és/vagy a vízszintes szorító rögzítse a munkadarabot. A vékony anyag meghajolhat. A munkadarabot a teljes hosszában támassza alá, a fűrészlap beszorulásának és az esetleges VISSZARÚGÁSNAK a megelőzésére.

##### Fig.29

#### Vezetőlécek (felül és alul elhelyezkedő CSÚSZÓ VEZETŐLÉCEK) beállítása

##### Fig.30

##### △FIGYELMEZTETÉS:

- A szerszám használata előtt ellenőrizze, hogy a vezetőléc biztonságosan rögzítve van-e.
- **A ferdevágás megkezdése előtt ellenőrizze, hogy a szerszámgép egyik része sem, különösen a fűrészlap nem ér hozzá sem az alsó, sem a felső vezetőléchez teljesen leengedett és felemelt fogantyúval, sem a kocsi teljes útján.** Ha a szerszámgép vagy a fűrészlap a vezetőléchez ér, az esetleges visszarúgás vagy a munkadarab váratlan elmozdulása súlyos személyi sérüléssel járhat.

##### Fig.31

##### △VIGYÁZAT:

- Ferdevágások végzésekor állítsa a vezetőléceket a bal oldali helyzetbe, majd rögzítse az ábrán látható módon. Ellenkező esetben hozzáér a fűrészlaphoz vagy a szerszám valamelyik részéhez, ami a kezelőnek komoly sérüléseket okozhat.

Ez a szerszám vezetőléccel van felszerelve, amelyet a megszokott módon, az ábrának megfelelően kell beállítani.

Ugyanakkor balos ferdevágások végzésekor állítsa azt az ábra szerint a bal oldali helyzetbe, ha a szerszám feje hozzáér.

Amikor befejezte a ferdevágást, ne felejtse el a vezetőléceket az eredeti helyzetébe visszaállítani, majd a rögzítőcsavarral szorosan rögzítse azt.

#### R kiegészítő vezetőléc

##### △FIGYELMEZTETÉS:

- A szerszám használata előtt ellenőrizze, hogy az R jelű kiegészítő vezetőléc szilárdan rögzítve van-e.
- Jobbos ferdevágás végzése előtt szerelje le az R kiegészítő vezetőléceket. A vezetőléc hozzáérhet a fűrészlaphoz vagy a szerszám valamely részéhez, ami a kezelőnek komoly sérüléseket okozhat.

##### Fig.32

Az R jelű kiegészítő vezetőléc a vezetőléc jobb oldaláról szerelhető le. Az R jelű kiegészítő vezetőléc leszereléséhez lazítsa meg a rögzítőcsavarját, és húzza ki a vezetőléceket. Felszereléshez a fenti lépéseket fordított sorrendben hajtsa végre.

Amikor befejezte a ferdevágást, ne felejtse el a kiegészítő vezetőléceket az eredeti helyzetébe visszaállítani, majd a rögzítőcsavarral szorosan rögzítse azt.

#### Függőleges befogó

##### Fig.33

A függőleges satu a vezetőléc bal vagy jobb oldalára is felszerelhető. Illessze a saturudat a vezetőléccen található furatba, majd saturud rögzítéséhez húzza meg a vezetőléc hátoldalán található csavart.

Állítsa be a befogókart a munkadarab vastagságának és alakjának megfelelően és rögzítse a befogókart a csavarral. Ha a befogókar rögzítésére szolgáló csavar érinti a vezetőléceket, csavarja be a csavart a befogókar másik oldaláról. Ellenőrizze, hogy a szerszám alkatrészei ne érjenek a befogóhoz amikor leengedi a fogantyút és teljesen végighúzza vagy tolja a kocsit. Ha valamelyik alkatrész mégis hozzáérne, állítsa be újra a befogót. Tolja előre a munkadarabot a vezetőléc és a forgóasztal mentén. Állítsa be a munkadarabot a vágni kívánt helyzetbe és rögzítse azt a befogó gombjának meghúzásával.

#### ⚠ FIGYELMEZTETÉS:

- **A munkadarabot rögzítse szilárdan a forgóasztalhoz és a vezetőlécekhez a szorítóval minden művelet során.** Ha a munkadarab rögzítése nem megfelelő, a munkadarab a vágás során elmozdulhat, ami a fűrészlap károsodásával, a munkadarab kirepülésével, ezáltal a gép fölötti uralom elvesztésével és súlyos személyi sérüléssel járhat.

### Vízszintes befogó (opcionális kiegészítő)

#### Fig.34

A vízszintes befogót kétféle helyzetben lehet felszerelni, a forgóasztal bal vagy jobb oldalára. Amikor 10°-os vagy annál nagyobb ferdevágásokat végez, a vízszintes befogót a forgóasztal fordulási irányával ellentétes oldalra szerelje föl.

#### Fig.35

A szorítóanyát balra fordítva a szorító felszabadul, így gyorsan mozgatható befelé és kifelé. A munkadarab megfogásához nyomja előre a szorító gombját, amíg a befogólemez nem érinti a munkadarabot, majd fordítsa a szorítóanyát jobbra. Ezután forgassa el a szorító gombját az óramutató járásának irányában a munkadarab rögzítéséhez.

A munkadarab maximális szélessége, amely még rögzíthető a vízszintes befogóval, 215 mm lehet.

Amikor a vízszintes befogót az alaplemez jobb oldalára szereli, használja az R kiegészítő vezetőléceket is a munkadarab biztosabb rögzítéséhez. Tájékozódjon az "R kiegészítő vezetőléc" fejezetből az R kiegészítő vezetőléc felszereléséről.

#### ⚠ FIGYELMEZTETÉS:

- **A szorító rögzítőcsavarját addig forgassa jobbra, amíg a munkadarab megfelelően nem rögzül.** Ha a munkadarab rögzítése nem megfelelő, a munkadarab a vágás során elmozdulhat, ami a fűrészlap károsodásával, a munkadarab kirepülésével, ezáltal a gép fölötti uralom elvesztésével és súlyos személyi sérüléssel járhat.
- Ha vékony munkadarabot, például lambériát vág a vezetőléchez szorítva, mindig használja a

vízszintes szorítót.

### Tartók

#### Fig.36

A munkadarabok vízszintesen történő kényelmes megtámasztására szolgáló tartók bármelyik oldalra felszerelhetők. A tartórudakat ütközésig tolja be a talpazat furataiba. Ezután rögzítse a tartókat a csavarokkal.

#### ⚠ FIGYELMEZTETÉS:

- **A hosszú munkadarabot a pontos és biztonságos vágás érdekében mindig támassza alá úgy, hogy végig egy szintben legyen a forgóasztal felületével.** Megfelelő alátámasztással megelőzhető a fűrészlap megrongálása, esetleges visszarángása, ami súlyos személyi sérüléshez vezethet.

## ÜZEMELTETÉS

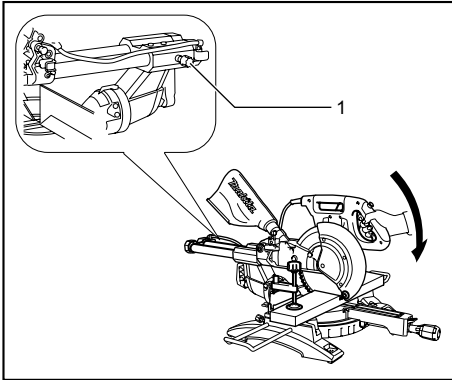
### MEGJEGYZÉS:

- A használat előtt ügyeljen rá, hogy felengedje a fogantyút a leengedett pozícióból a rögzítőszeg kihúzásával.
- Ne fejtessen ki túlzott nyomást a fogantyúra a vágás során. A túlzott erőltetés a motor túlterhelését és/vagy a vágási hatások csökkenését eredményezheti. A fogantyút csak akkora erővel nyomja, amennyi erő az egyenletes vágáshoz szükséges és nem csökkenti le nagyon a fűrészlap sebességét.
- A vágás elvégzéséhez lassan nyomja lefelé a fogantyút. Ha a fogantyút erővel nyomja lefelé, vagy arra laterális erőt is kifejt, a fűrészlap rezegni fog és elhagyja a jelölést (fűrészelési jelölés) a munkadarabon és a vágás pontossága romlik.
- A csúszóvágáskor lassan nyomja a kocsi a vezetőléc irányába megállás nélkül. Ha a kocsi mozgása megáll a vágás közben, akkor megjelöli a munkadarabot és a vágás pontossága csökken.

#### ⚠ FIGYELMEZTETÉS:

- **Mielőtt a gépet bekapcsolja, ellenőrizze, hogy a fűrészlap nem ér a munkadarabhoz stb.** Ha úgy kapcsolja be a gépet, hogy a fűrészlap a munkadarabhoz ér, akkor visszarángás és súlyos személyi sérülés történhet.

## 1. Nyomóvágás (kisméretű munkadarabok vágása)



1. Zárócsavar

011409

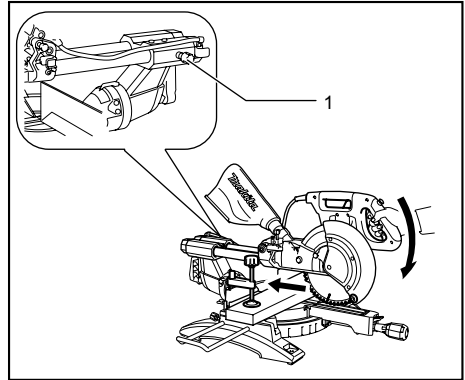
A 91 mm-nél alacsonyabb és 70 mm-nél keskenyebb munkadarabok a következő módon fűrészelhetők.

Nyomja a kocsit ütközésig a vezetőléc felé, majd a kocsi rögzítéséhez az óramutató járásának irányába forgatva húzza meg a szorítócsavart. Rögzítse a munkadarabot pontosan a megfelelő típusú satuval. Kapcsolja be a szerszámgépet úgy, hogy a fűrészlap ne érjen semmihez, majd a leeresztés előtt várja meg, amíg a fűrészlap eléri a maximális fordulatszámát. Ezután a munkadarab átvágásához lassan engedje le a fogantyút teljesen leengedett állásba. A vágás befejeztével kapcsolja ki a szerszámgépet, és mielőtt teljesen felemelt pozícióba emelné a fűrészlapot, VÁRJA MEG, AMIG TELJESEN MEGÁLL.

### ⚠ FIGYELMEZTETÉS:

- Húzza meg határozottan a gombot az óramutató járásának irányába, hogy a kocsi ne mozdulhasson el a művelet során. A gomb nem kellő módon való meghúzása visszarúgáshoz és súlyos személyi sérüléshez vezethet.

## 2. Csúszó(toló)vágás (széles munkadarabok vágása)



1. Zárócsavar

011410

A kocsi szabad csúszásához az óramutató járásával ellentétes irányba forgatva lazítsa meg a szorítócsavart. Rögzítse a munkadarabot a megfelelő típusú satuval. Húzza maga felé a kocsit ütközésig. Kapcsolja be a készüléket anélkül, hogy a fűrészlap bármihez hozzáérne, majd várja meg, amíg a fűrészlap eléri maximális fordulatszámát. Nyomja le a kart, és TOLJA A KOCSIT A VEZETŐLÉC IRÁNYÁBA, MAJD VÁGJA ÁT A MUNKADARABOT. A vágás befejeztével kapcsolja ki a szerszámgépet, és mielőtt teljesen felemelt pozícióba emelné a fűrészlapot, VÁRJA MEG, AMIG TELJESEN MEGÁLL.

### ⚠ FIGYELMEZTETÉS:

- Csúszató vágásnál először húzza el a kocsit maga felé, nyomja le teljesen a kart, majd tolja a kocsit a vezetőléc felé. Ne kezdjen a vágásba addig, amíg a kocsit nem húzta el teljesen maga felé. Ha anélkül kezdi el a vágást, hogy teljesen maga felé húzta volna a kocsit, a gép váratlanul visszarúghat, ami súlyos személyi sérüléshez vezethet.
- Ne kísérelje meg a csúszató vágást a kocsit maga felé húzva. Vágás közben a kocsit maga felé húzva a gép váratlanul visszarúghat, ami súlyos személyi sérüléshez vezethet.
- Ne végezzen csúszató vágást úgy, hogy a kart alsó helyzetben rögzítette.
- Ne lazítsa meg a kocsit tartó rögzítőcsavart, amíg a fűrészlap forog. A rögzítetlen kocsi a gép váratlanul visszarúgását okozhatja, ami súlyos személyi sérüléshez vezethet.

## 3. Gérvágás

Tájékozódjon a korábbi "A gérvágási szög beállítása" fejezetből.

#### 4. Ferdevágás

Fig.37

Lazítsa meg a kart és döntse meg a fűrészát a ferdevágási szög beállításához (Tájékozódjon a korábbi "A gérvágási szög beállítása" fejezetből). Ügyeljen rá, hogy meghúzza a kart a kiválasztott ferdevágási szög rögzítéséhez. Rögzítse a munkadarabot a befogóval. Ellenőrizze, hogy a kocsit teljesen vissza van húzva a kezelő felé. Kapcsolja be a készüléket anélkül, hogy a fűrészlap bármihez hozzáérne, majd várja meg amíg a fűrészlap eléri a maximális sebességét. Ezután lassan engedje le a fogantyút a teljesen leengedett állásba, a fűrészlappal párhuzamos irányú nyomást kifejtve és TOLJA A KOCSIT A VEZETŐLÉC FELÉ A MUNKADARAB ÁTVÁGÁSÁHOZ. A vágás befejeztével kapcsolja ki a szerszámot és VÁRJA MEG AMÍG A FÜRÉSZLAP TELJESEN MEGÁLL MIELŐTT visszaviszi azt a teljesen felemelt pozícióba.

#### ▲ FIGYELMEZTETÉS:

- **A fűrészlap ferdevágáshoz való beállítását követően még a vágás megkezdése előtt ellenőrizze, hogy a kocsi és a fűrészlap szabadon jár a tervezett vágás teljes tartományában.** A kocsinak vagy a fűrészlappal az elakadása a vágás során visszarúgást okozhat, ami súlyos személyi sérüléshez vezethet.
- **A ferdevágás során tartsa távol kezét a fűrészlap útjából.** A ferde szög miatt a fűrészlap útja félvezető lehet, a fűrészlap pedig súlyos személyi sérüléseket okozhat.
- **A fűrészlapot csak akkor emelje fel, ha már teljesen leállt.** A vágás során a munkadarabból néhány szilánk a fűrészlapra tapadhat. Ha a fűrészlapot még forgás közben emeli fel, a szilánk súlyos személyi sérülést okozva kirepülhet.

#### MEGJEGYZÉS:

- A fogantyú lenyomásakor fejtsen ki a fűrészlappal párhuzamos irányú nyomást. Ha a kifejtett erő merőleges a forgóasztalra, vagy a nyomás iránya megváltozik a vágás folyamán, akkor romlik a vágás pontossága.
- Ferdevágás előtt szükség lehet a felső és az alsó vezetőlécek beállítására. Lásd: „A vezetőlécek beállítása”.

#### ▲ VIGYÁZAT:

- Mindig távolítsa el az R jelű kiegészítő vezetőlécet, hogy ferdevágás közben ne akadjon össze a kocsival.

#### 5. Kombinált vágás

A kombinált vágás olyan művelet, amelynél a ferdevágással egyszerre gérvágás is történik a munkadarabon. Kombinált vágást a táblázatban látható szögeknél lehet végezni.

Gérvágási szög	Ferdevágási szög
Bal és Jobb 0° - 45°	Bal és Jobb 0° - 45°

009713

Kombinált vágás végzésekor tájékozódjon a "Nyomóvágás", "Csúszóvágás", "Gérvágás" és "Ferdevágás" fejezetekből.

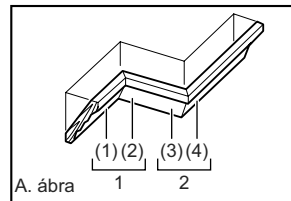
#### 6. Díszlécek és ívboltozatos díszlécek vágása

A kombinált gérvágó fűrészszel különböző profilú díszlécek és ívboltozatos díszlécek is vágathatók, ha a díszlécet laposan a forgóasztalra fektetik.

Két főbb díszléc-típus és egy ívboltozatos díszléc-típus különböztethető meg: 52/38°-os falszögű díszléc, 45°-os falszögű díszléc és 45°-os falszögű ívboltozatos díszléc. Lásd az ábrákat.

Fig.38

A díszlécekhez és ívboltozatos díszlécekhez illesztések készíthetők "belső" 90°-os sarokba ((1) és (2) az A. ábrán) és "külső" 90°-os sarokba ((3) és (4) az A. ábrán).



001556

1. Belső sarok
2. Külső sarok

Fig.39

#### Mérés

Mérje meg a fal hosszúságát és állítsa be a munkadarabot a forgóasztalon a fállal érintkező vég kívánt hosszúságúra vágásához. Mindig ügyeljen rá, hogy a levágott munkadarab hossza a **munkadarab hátoldalán** a fal hosszával azonos legyen. Állítsa be a vágáshosszt a vágási szöghöz. Mindig használjon néhány munkadarabot tesztvágásokhoz, hogy előzetesen ellenőrizze a vágási szöveget.

Díszlécek és ívboltozatos díszlécek vágásakor a gérvágási szöveget és a ferdevágási szöveget az (A) táblázat szerint állítsa be, és a (B) táblázat szerint állítsa be a díszléceket a fűrészasztal alaplemezeének felső részén.

#### Bal oldali ferdevágás esetén

(A). táblázat

	Díszléc pozíciója az A. ábrán	Ferdevágási szög		Gérvágási szög	
		52/38° típusú	45° típusú	52/38° típusú	45° típusú
Belső sarokhoz	(1)				
	(2)			Jobb 31,6°	Jobb 35,3°
Külső sarokhoz	(3)	Bal 33,9°	Bal 30°	Bal 31,6°	Bal 35,3°
	(4)			Jobb 31,6°	Jobb 35,3°

006361



(B). táblázat

	Diszkrét pozíciója az A. ábrán	A diszkrét vezetőléchez illesztett széle	Befejezett munkadarab
Belső sarokhoz	(1)	A mennyezettel érintkező szélt a vezetőléchez kell igazítani.	A befejezett munkadarab a fűrészlap bal oldalán lesz.
	(2)	A fallal érintkező szélt a vezetőléchez kell igazítani.	
Külső sarokhoz	(3)	A mennyezettel érintkező szélt a vezetőléchez kell igazítani.	A befejezett munkadarab a fűrészlap jobb oldalán lesz.
	(4)	A mennyezettel érintkező szélt a vezetőléchez kell igazítani.	

006362

**Példa:**

52/38° típusú diszkrét vágása az A. ábra (1) pozíciója szerint:

- Döntse meg a fűrészlapot és rögzítse a ferdevágási szöget 33, 9° BAL állásban.
- A gérvágási szöget állítsa 31,6° JOBB értékre, és rögzítse.
- Tegye a diszkrétet a széles hátoldali (rejtett) felületével lefelé a forgóasztalra úgy, hogy a PLAFONNAL ÉRINTKEZŐ SZÉLE a vezetőléchez illeszkedjen a fűrészen.
- A vágás után a használható munkadarab mindig a fűrészlap BAL oldalán lesz.

**Jobb oldali ferdevágás esetén**

(A). táblázat

	Diszkrét pozíciója az A. ábrán	Ferdevágási szög		Gérvágási szög	
		52/38° típusú	45° típusú	52/38° típusú	45° típusú
Belső sarokhoz	(1)	Jobb 33,9°	Jobb 30°	Jobb 31,6°	Jobb 35,3°
	(2)			Bal 31,6°	Bal 35,3°
Külső sarokhoz	(3)			Jobb 31,6°	Jobb 35,3°
	(4)				

006363

(B). táblázat

	Diszkrét pozíciója az A. ábrán	A diszkrét vezetőléchez illesztett széle	Befejezett munkadarab
Belső sarokhoz	(1)	A fallal érintkező szélt a vezetőléchez kell igazítani.	A befejezett munkadarab a fűrészlap jobb oldalán lesz.
	(2)	A mennyezettel érintkező szélt a vezetőléchez kell igazítani.	
Külső sarokhoz	(3)	A mennyezettel érintkező szélt a vezetőléchez kell igazítani.	A befejezett munkadarab a fűrészlap bal oldalán lesz.
	(4)	A fallal érintkező szélt a vezetőléchez kell igazítani.	

006364

**Példa:**

52/38° típusú diszkrét vágása az A. ábra (1) pozíciója szerint:

- Döntse meg a fűrészlapot és rögzítse a ferdevágási szöget 33, 9° JOBB állásban.
- A gérvágási szöget állítsa 31,6° JOBB értékre, és rögzítse.

- Tegye a diszkrétet a széles hátoldali (rejtett) felületével lefelé a forgóasztalra úgy, hogy a FALLAL ÉRINTKEZŐ SZÉLE a vezetőléchez illeszkedjen a fűrészen.
- A vágás után a használható munkadarab mindig a fűrészlap JOBB oldalán lesz.

**7. Sajtolt alumínium vágása****Fig.40****Fig.41**

A sajtolt alumínium rögzítések használja a távtartó tömböket vagy hulladékdarabokat az alumínium deformálódásának elkerüléséhez az ábrának megfelelő módon. A sajtolt alumínium vágásokor használjon kenőanyagot az alumínium felhalmozódásának elkerülésére a fűrészlapon.

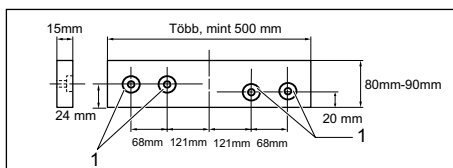
**△FIGYELMEZTETÉS:**

- **Ne kísérelje meg vastag vagy kör keresztmetszetű alumínium rúd vágását.** A vastag vagy kör keresztmetszetű alumínium rudak megfelelő befogása bonyolult, a vágás során megglazulhatnak, ami az uralom elvesztéséhez, így súlyos személyi sérülésekhez vezethet.

**8. Fabetét**

Fabetét használatával biztosítható a munkadarabok felszakadásmentes vágása. Illessze a fabetétet a vezetőléchez a vetőlécben található furatok segítségével.

Tájékozódjon az ábráról a fabetét ajánlott méretével kapcsolatban.

**1. Furatok**

010563

**△FIGYÁZAT:**

- Fabetétként használjon egyenes, azonos vastagságú fadarabot.

**△FIGYELMEZTETÉS:**

- **A fabetétet csavarokkal rögzítse a vezetőléchez. A csavarokat úgy kell beszerezni, hogy a csavarfejek a fabetét felszíne alá kerüljenek, ezáltal ne akadjanak össze a vágott munkadarabbal.** A vágott munkadarab nem megfelelő beállításra nem várt elmozdulást okozhat a vágási művelet során, ami a munkadarab fölötti uralom elvesztését és súlyos személyi sérülést okozhat.

## MEGJEGYZÉS:

- Amikor a fabetét fel van helyezve, ne fordítsa el a forgóasztalt ha a fogantyú le van engedve. A fűrészlap és/vagy a fabetét károsodik.

## 9. Hornyolás

### Fig.42

Hornyogás végezhető a következő módon:

Állítsa be a fűrészlap alsó pozícióját a csavarral és az ütközővel a vágási mélység korlátozásához. Tájékozódjon az "Ütközőkar" fejezetből.

A fűrészlap alsó pozíciójának beállítása után párhuzamos hornyokat vághat széltségben a munkadarabra csúszó(toló)vágással az ábrán látható módon. Ezután távolítsa el a munkadarab hornyok közötti részét egy vésővel.

## △FIGYELMEZTETÉS:

- **Ne kísérelje meg az ilyen vágást szélesebb vagy hornyvágó lappal.** A szélesebb vagy hornyvágó lappal történő hornyogás váratlan vágási eredményekhez és visszarúgáshoz vezethet, ami súlyos személyi sérülésekkel járhat
- **Az ütköző karját feltétlenül állítsa vissza eredeti helyzetbe, ha hornyogástól eltérő műveletet végez.** Az ütköző karjának nem megfelelő helyzetében megkísérelt vágás váratlan vágási eredményekhez és visszarúgáshoz vezethet, ami súlyos személyi sérülésekkel járhat.

## △VIGYÁZAT:

- Ügyeljen rá, hogy visszaállítsa az ütközőkart az eredeti pozícióba ha nem végez hornyolást.

## A szerszám szállítása

### Fig.43

Ellenőrizze, hogy a szerszámgépet áramtalanították. Rögzítse a fűrészlapot 0°-os ferdevágási szögnel és a forgóasztalt a legnagyobb jobbos gérvágási szögnel. Rögzítse a csúszósarukat úgy, hogy az alsó csúszósaruk teljesen a kezelő felé húzott kocsi pozíciójába legyenek rögzítve, a felső csúszósaruk pedig a kocsinak teljesen a vezetőléchez tolt pozíciójában (lásd: „A csúszóretesz beállítása”). Engedje le teljesen a fogantyút, és a rögzítőcsap benyomásával rögzítse leengedett pozícióban.

A hálózati tápkábelt a kábeltartókra tekerje fel.

## △FIGYELMEZTETÉS:

- **A rögzítőcsap használatára csak szállítás és tárolás esetén van szükség, vágási műveleteknél tilos a használata.** A rögzítőcsap vágási műveletek során történő használata a fűrészlap váratlan mozgásához és visszarúgáshoz vezethet, ami súlyos személyi sérülésekkel járhat.

Szállítsa a szerszámot az alaplemez két oldalánál fogva az ábrán látható módon. Könnyebben szállíthatja a szerszámot, ha eltávolítja a tartókat, porzsákat, stb.

## △VIGYÁZAT:

- A szerszám gép szállítása előtt mindig rögzítsen minden mozgó alkatrészt. Ha a szerszám gép egyes részei a szállítás során elmozdulnak vagy elcsúsznak, a gép kibillenhet az egyensúlyából, ami súlyos személyi sérülésekhez vezethet.

## KARBANTARTÁS

### △FIGYELMEZTETÉS:

- **A szerszám gép beállítása vagy ellenőrzése előtt feltétlenül kapcsolja azt ki, és húzza ki a tápkábelt.** Ennek elmulasztása véletlen beindulás esetén súlyos személyi sérülésekkel járhat.
- **A legjobb és legbiztonságosabb munkavégzés érdekében tartsa a fűrészlapot élesen és tisztán.** A tompa és/vagy szennyezett fűrészlap visszarúgást okozhat, ami súlyos személyi sérülésekkel járhat.

### MEGJEGYZÉS:

- Soha ne használjon gázolajt, benzint, hígítót, alkoholt vagy hasonló anyagokat. Ezek elszíneződést, alakvesztést vagy repedést okozhatnak.

## A vágási szög beállítása

Ezt a szerszámot a gyárban gondosan beállították és beigazították, de a durva bánásmód kihathat a beállításokra. Ha a szerszám nincs megfelelően beállítva, végezze el a következőket:

### 1. Gérvágási szög

#### Fig.44

Tolja a kocsit teljesen a vezetőléc felé, majd húzza meg a szorítócsavart a kocsit rögzítéséhez.

Lazítsa meg a forgóasztalt rögzítő fogantyút. Forgassa el úgy a forgóasztalt, hogy a mutató a 0°-ra mutasson a gérvágó skálán. Ezután kissé fordítsa el az asztalt az óramutató járásának irányába és azzal ellentétesen, hogy a forgóasztal a 0°-os gérvágás rovátkájába kerüljön. (Hagyja azt így még akkor is, ha a mutató nem a 0°-ra mutat.) Lazítsa meg a vezetőlécet rögzítő imbuzscsavarokat az imbuzskulccsal.

#### Fig.45

Engedje le teljesen a fogantyút, és a rögzítőcsap benyomásával rögzítse leengedett pozícióban. Állítsa merőlegesre a fűrészlap oldalát a vezetőléc lapjával egy háromszögvonalzól, acélderékszög stb. segítségével, majd húzza meg a vezetőlécen található imbuzscsavarokat jobbról balra haladva.

#### Fig.46

Ellenőrizze, hogy a mutató a 0°-ra mutat a gérvágó skálán. Ha a mutató nem a 0°-ra mutat, lazítsa meg a mutatót rögzítő csavart és állítsa be a mutatót, hogy a 0°-ra mutasson.

## 2. Ferdevágási szög

- (1) 0°-os ferdevágási szög

Fig.47

Tolja a kocsit teljesen a vezetőlécc felé, majd a kocsit rögzítéséhez húzza meg a szorítócsavart. Engedje le teljesen a fogantyút, és a rögzítőszeg benyomásával rögzítse leengedett pozícióban. Lazítsa meg a szerszám hátsó részén található kart.

Fig.48

A fűrészlap jobbra döntéséhez forgassa el a kar jobb oldalán található hatlapfejű csavart az óramutató járásával ellentétes irányban, két vagy három fordulatnyit.

Fig.49

Gondosan állítsa a fűrészlap oldalát a forgóasztal felszínével derékszögbe egy háromszögvonalzó, acélderékszög stb. segítségével és a 0°-os ferdevágási szög hatlapfejű beállítócsavarjának az óramutató járásának irányába forgatásával. Ezután szorosan húzza meg a kart.

Fig.50

Ellenőrizze, hogy a karon levő mutató a kar tartóján található ferdevágási skálán látható 0° pontra mutat-e. Ha a mutató nem a 0° pontra mutat, akkor lazítsa meg a mutatót rögzítő csavart, és úgy állítsa be a mutatót, hogy a 0° pontra mutasson.

- (2) 45°-os ferdevágási szög

Fig.51

A 45°-os ferdevágási szöget csak azután állítsa be, hogy a 0°-os ferdevágási szöget már beállította. A balra 45°-os ferdevágási szög beállításához lazítsa meg a kart, majd billentse a fűrészlapot teljesen balra. Ellenőrizze, hogy a karon levő mutató a kar tartóján található ferdevágási skálán található 45° pontra mutat-e. Ha a mutató nem a 45° pontra mutat, forgassa a kartartó jobb oldalán levő 45°-os szöget beállító csavart addig, amíg a mutató a 45° pontra nem mutat. A jobbra 45°-os ferdevágási szög beállításához végezze el a fent ismertetett eljárást.

Fig.52

Rendszeresen vegye ki és ellenőrizze a szénkefákat. Cserélje ki azokat amikor a hosszuk 3 mm alá kopott. A szénkefákat tartsa tisztán, és azok szabadon csússzanak a tartókban. Mindkét szénkefét egyszerre kell cserélni. Csak azonos szénkefákat használjon.

Fig.53

Csavarhúzó segítségével távolítsa el a kefetartó sapkákat. Vegye ki a kopott szénkefákat, tegye be az újakat és helyezze vissza a kefetartó sapkákat.

## A használat után

- A használatot követően törölje le a szerszámozat tapadt forgácsot és a fűrészport egy törlőruhával vagy más szövetdarabbal. A fűrészlapvédőt tartsa tisztán, a "Fűrészlapvédő" fejezetben leírtaknak megfelelően. Kenje meg a csúszo alkatrészeket gépolajjal, hogy ne rozsdásodjanak.
- A szerszám tárolásához útközéig húzza maga felé a kocsit.

A termék BIZTONSÁGÁNAK és MEGBÍZHATÓSÁGÁNAK fenntartásához, a javításokat, bármilyen egyéb karbantartást vagy beszállítást a Makita Autorizált Szervizközpontoknak kell végrehajtaniuk, mindig Makita pótalkatrészek használatával.

## OPCIONÁLIS KIEGÉSZÍTŐK

### △FIGYELMEZTETÉS:

- Ezek a Makita kiegészítők vagy tartozékok használhatók az a kézikönyvben ismertetett Makita szerszámgéphez. Bármilyen más kiegészítő vagy tartozék használata súlyos személyi sérüléshez vezethet.
- A Makita kiegészítő vagy tartozék csak a tervezett célra használható. A kiegészítő vagy tartozék nem megfelelő módon történő használata súlyos személyi sérüléshez vezethet.

Ha bármilyen segítségre vagy további információkra van szüksége ezekkel a tartozékokkal kapcsolatban, keresse fel a helyi Makita Szervizközpontot.

- Acél és karbidvégű fűrészlapok

Gérvágó fűrészlapok	Különböző anyagok finom és pontos vágásához.
Kombináció	Általános felhasználású fűrészlap a gyors és egyenletes hasításhoz, keresztvágáshoz és gérvágáshoz.
Keresztvágás	Finomabb keresztvágásokhoz. A darabok széle simább a rostok mentén.
Finom keresztvágások	A csiszolásmentes vágásért tisztán a szemcsékkel szemben.
Gérvágó fűrészlapok színesfémhez	Alumíniumon, vörösrézén, sárgarézén, csöveken és színesfémeken végzett gérvágás.

006526

- R kiegészítő vezetőlécc
- Befogó szerelvény (vízszintes befogó)
- Függőleges befogó
- Imbuszkulccsal kombinált dugókulcs
- Tartó
- Porzsák
- Könyökcső
- Háromszögvonalzó

### MEGJEGYZÉS:

- A listán felsorolt néhány kiegészítő megtalálható az eszköz csomagolásában standard kiegészítőként. Ezek országonként eltérőek lehetnek.

## SLOVENSKÝ (Pôvodné pokyny)

### Vysvetlenie všeobecného zobrazenia

1-1. Čap zarážky	21-2. Držiak kľúča	36-1. Držiak
2-1. Skrutky	22-1. Čap zarážky	38-1. Okrasná lišta s korunou typu 52/38°
3-1. Chránič ostria	23-1. Zastrkávací kľúč	38-2. Okrasná lišta s korunou typu 45°
4-1. Chránič ostria	23-2. Puzdro čepele	38-3. Okrasná lišta s korunou typu 45°
5-1. Šrauba (Skrutka)	23-3. Stredný kryt	39-1. Vnútorný roh
5-2. Zárezová doska	23-4. Šesťboká skrutka	39-2. Vonkajší roh
6-1. Čepeľ píly	23-5. Chránič ostria	40-1. Vodidlové ochranné zariadenie
6-2. Zúbky čepele	24-1. Puzdro čepele	40-2. Zverák
6-3. Zárezová doska	24-2. Zastrkávací kľúč	40-3. Blok rozpery
6-4. Ľavý skosený rez	24-3. Šesťboká skrutka	40-4. Hliníkový výlisok
6-5. Rovný rez	24-4. Šípka	40-5. Blok rozpery
6-6. Pravý skosený rez	24-5. Posúvačový uzáver	41-1. Hliníkový výlisok
7-1. Nastavovacia skrutka	25-1. Puzdro čepele	41-2. Vodidlové ochranné zariadenie
7-2. Rotačná základňa	25-2. Šípka	41-3. Blok rozpery
8-1. Vrchný povrch rotačnej základne	25-3. Šípka	41-4. Horizontálny zverák (voliteľný doplnok)
8-2. Okraj čepele	25-4. Čepeľ píly	42-1. Žliabky vyrezané čepeľou
8-3. Vodidlové ochranné zariadenie	26-1. Šesťboká závara (ľavá)	44-1. Šesťboká skrutka
9-1. Rameno zarážky	26-2. Vonkajšia obruba	44-2. Vodidlové ochranné zariadenie
9-2. Nastavovacia skrutka	26-3. Čepeľ píly	44-3. Svorka
10-1. Škála zrezania	26-4. Prstenec	45-1. Vodidlové ochranné zariadenie
10-2. Ukazovateľ	26-5. Vnútorná obruba	45-2. Trojuholníkové meradlo
10-3. Blokovacia páčka	26-6. Vreteno	46-1. Šrauba (Skrutka)
10-4. Svorka	27-1. Zastrkávací kľúč	46-2. Ukazovateľ
11-1. Páčka	27-2. Puzdro čepele	46-3. Škála zrezania
12-1. Páčka	27-3. Stredný kryt	47-1. Páčka
12-2. Rameno	27-4. Šesťboká skrutka	47-2. Rameno
12-3. Ukazovateľ	27-5. Chránič ostria	48-1. Nastavovacia závara 0°
12-4. Škála skosenia	28-1. Otvor na prach	48-2. Nastavovacia závara ľavého 45° uhla skosenia
13-1. Páčka	28-2. Vrecko na prach	49-1. Trojuholníkové meradlo
14-1. Ukazovateľ	28-3. Upínadlo	49-2. Čepeľ píly
14-2. Uvoľňovacie tlačidlo	29-1. Podpora	49-3. Vrchný povrch rotačného stola
14-3. Škála skosenia	29-2. Rotačná základňa	50-1. Šrauba (Skrutka)
15-1. Zaisťovacia skrutka	30-1. Posuvné vodidlo	50-2. Ukazovateľ
16-1. Tlačidlo odomknutia	30-2. Uťahovacia skrutka	50-3. Škála skosenia
16-2. Spúšť	31-1. Posuvné vodidlo	51-1. Nastavovacia závara pravého 45° uhla skosenia
16-3. Páčka	32-1. Podružné ochranné zariadenie R	51-2. Nastavovacia závara ľavého 45° uhla skosenia
16-4. Otvor pre visiaci zámok	32-2. Skrutky	53-1. Skrutkovač
17-1. Tlačidlo odomknutia	33-1. Rameno zveráka	53-2. Veko držiaka uhlíka
17-2. Spúšť	33-2. Otočný gombík zveráka	
17-3. Otvor pre visiaci zámok	33-3. Tyč zveráka	
18-1. Spínač pre laser	33-4. Šrauba (Skrutka)	
20-1. Batéria	33-5. Vodidlové ochranné zariadenie	
21-1. Zakladací kľúč s francúzskym kľúčom na šesťhranné skrutky na druhom konci	34-1. Doska zveráka	
	34-2. Matica zveráka	
	34-3. Otočný gombík zveráka	

# TECHNICKÉ ÚDAJE

Model	LS1018 / LS1018L
Priemer ostria	255 mm - 260 mm
Hrúbka tela čepele	1,6 mm - 2,4 mm
Priemer jamky	
Pre všetky krajiny okrem Európy	25,4 mm
Pre európske krajiny	30 mm
Max. kapacity rezania (V x Š) s 260 mm priemerom	

Uhol zrezania	Uhol skosenia		
	45° (ľavý)	0°	45° (pravý)
0°	50 mm x 310 mm	91 mm x 310 mm	31 mm x 310 mm
45°	50 mm x 220 mm	91 mm x 220 mm	31 mm x 220 mm
60° (pravý)	-	91 mm x 153 mm	-

Otáčky naprázdno (min <sup>-1</sup> )	4300
Typ lasera (len LS1018L)	Červený laser 650 nm, < 1mW ( Laser Trieda 2 )
Rozmery (D x Š x V)	825 mm x 536 mm x 633 mm
Hmotnosť netto	Pre všetky krajiny okrem Európy.....19,8 kg Pre európske krajiny.....19,9 kg

## Trieda bezpečnosti

- Vzhľadom k neustálemu výskumu a vývoju tu uvedené technické údaje podliehajú zmenám bez upozornenia.
- Technické údaje sa môžu pre rozne krajiny líšiť.
- Hmotnosť podľa postupu EPTA 01/2003

END222-1



## Symbols

Nižšie sú uvedené symboly, s ktorými sa môžete pri použití nástroja stretnúť. Je dôležité, aby ste skôr, než s ním začnete pracovať, pochopili ich význam.



- Prečítajte si návod na používanie.



- DVOJITÁ IZOLÁCIA



- Aby nedošlo k poraneniu od odletujúcich úlomkov, pílu po vykonaní rezu ešte podržte hlavou nadol, kým sa ostrie úplne nezastaví.



- Keď vykonávate posuvný rez, najskôr úplne potiahnite podvozok smerom k sebe, potom ho potlačte smerom k vodidlu ochranného zariadenia.
- Nepribližujte k ostriu ruku či prsty.



- Nastavte posuvné vodidlá do správnej vzdialenosti od pílového listu a chrániča pílového listu.



- Keď budete vykonávať pravé skosené rezy, vždy odstráňte PRAVÉ PODRUŽNÉ OCHRANNÉ ZARIADENIE. V opačnom prípade môže dôjsť k úrazu obsluhujúcej osoby.



- Nikdy sa nepozerajte do laserového lúča. Priamy pohľad do laserového lúča môže poškodiť zrak.



## Len pre štáty EU

Nevyhadzujte elektrické zariadenia spolu s domácim odpadom!

Podľa Nariadenia Európskej rady 2002/96/EC o likvidácii elektrických a elektronických zariadení a ich prevádzkovaní v súlade s národnými zákonmi, elektrické zariadenia musia byť potom, čo doslúžia, zhromažďované samostatne na ekologickú recykláciu.

ENE006-1

## Určené použitie

Tento nástroj je určený na presné priame rezanie a zrezávanie dreva. Pri použití príslušných pílových ostrí je možné píliť aj hliník.

ENF002-2

## Napájanie

Náradie by malo byť pripojené jedine k prívodu elektrickej energie s hodnotou napätia rovnakou, ako je uvedená na štítku s názvom zariadenia, pričom náradie môže byť napájané jedine jednofázovým striedavým prúdom. Je vybavené dvojitou izoláciou a preto sa môže používať pri zapojení do zásuviek bez uzemňovacieho vodiča.

ENG905-1

## Hluk

Typická hladina akustického tlaku pri záťaži A určená podľa EN61029:

Úroveň akustického tlaku (L<sub>PA</sub>) : 97 dB(A)

Hladina akustického výkonu (L<sub>WA</sub>) : 103 dB(A)

Odchýlka (K) : 3 dB(A)

ENG900-1

**Vibrácie**

Celková hodnota vibrácií (trojosový vektorový súčet) určená podľa normy EN61029:

Vyžarovanie vibrácií ( $a_{hv}$ ): 2,5 m/s<sup>2</sup> alebo menej  
Neurčitost' (K): 1,5 m/s<sup>2</sup>

ENG901-1

- Deklarovaná hodnota emisií vibrácií bola meraná podľa štandardnej skúšobnej metódy a môže sa použiť na porovnanie jedného náradia s druhým.
- Deklarovaná hodnota emisií vibrácií sa môže použiť aj na predbežné posúdenie vystavenia ich účinkom.

**VAROVANIE:**

- Emisie vibrácií počas skutočného používania elektrického náradia sa môžu odlišovať od deklarovanej hodnoty emisií vibrácií, a to v závislosti na spôsoboch používania náradia.
- Nezabudnite označiť bezpečnostné opatrenia s cieľom chrániť obsluhu, a to tie, ktoré sa zakladajú na odhade vystavenia účinkom v rámci reálnych podmienok používania (berúc do úvahy všetky súčasti prevádzkového cyklu, ako sú doby, kedy je náradie vypnuté a kedy beží bez zaťaženia, ako dodatok k dobe zapnutia).

ENH003-13

**Len pre európske krajiny****Vyhlásenie o zhode so smernicami Európskeho spoločenstva**

**Naša spoločnosť Makita, ako zodpovedný výrobca prehlasuje, že nasledujúce zariadenie(a) značky Makita:**

Označenie zariadenia:

Posuvná pokosová píla na kombinované rezanie  
Číslo modelu / Typ: LS1018, LS1018L  
predstavujú sériovú výrobu

**Je v zhode s nasledujúcimi európskymi smernicami:**  
2006/42/EC

A sú vyrobené podľa nasledujúcich noriem a štandardizovaných dokumentov:

EN61029

Technická dokumentácia sa nachádza u nášho autorizovaného zástupcu v Európe, ktorým je spoločnosť:

Makita International Europe Ltd.  
Michigan Drive, Tongwell,  
Milton Keynes, Bucks MK15 8JD, Anglicko

000230



Tomoyasu Kato  
Riaditeľ

Makita Corporation  
3-11-8, Sumiyoshi-cho,  
Anjo, Aichi, 446-8502, JAPONSKO

GEA010-1

**Všeobecné bezpečnostné predpisy pre elektronáradie**

**⚠ UPOZORNENIE** Prečítajte si všetky upozornenia a inštrukcie. Nedodržiavanie pokynov a inštrukcií môže mať za následok úraz elektrickým prúdom, požiar alebo vážne zranenie.

**Všetky pokyny a inštrukcie si odložte pre prípad potreby v budúcnosti.**

ENB034-6

**ĎALŠIE BEZPEČNOSTNÉ ZÁSADY PRE NÁSTROJ**

1. **Používajte ochranu zraku.**
2. **Ruky držte mimo dráhy ostria píly. Vyhnite sa kontaktu s akýkoľvek zastavujúcim sa ostrím. Aj to môže spôsobiť závažné poranenie.**
3. **Nepoužívajte pílu bez nasadených krytov. Pred každým použitím skontrolujte kryt ostria, či je správne uzavretý. Nepoužívajte pílu, ak sa kryt ostria nepohybuje voľne a nezatvára sa ihneď. Nikdy neupínajte ani neuväzujte kryt ostria v otvorenej polohe.**
4. **Žiadne úkony nevykonávajte voľnou rukou. Počas všetkých úkonov musí byť obrobok pevne zaistený oproti rotačnej základni a vodidlu ochranného zariadenia pomocou zveráka. Nikdy obrobok nezaistujte rukou.**
5. **Nikdy nesiahajte do blízkosti ostria píly.**
6. **Pred presunutím obrobku alebo zmenou nastavení vypnite nástroj a počkajte, kým sa ostrie píly nezastaví.**
7. **Pred výmenou ostria alebo vykonaním servisu odpojte nástroj.**
8. **Pred prenesením nástroja vždy zaistite všetky jeho pohyblivé časti.**
9. **Kolík zarážky, ktorý zaisťuje reznú hlavicu, slúži len na účely prenášania a skladovania, nie pre akékoľvek úkony rezania.**
10. **Náradie nepoužívajte za prítomnosti horľavých tekutín alebo plynov. Elektrickou prevádzkou náradia môže dôjsť pri vystavení účinkom horľavých tekutín alebo plynov k výbuchu alebo k požiaru.**

11. Pred prácou dôkladne skontrolujte ostrie, či neobsahuje praskliny alebo poškodenie. Okamžite vymeňte prasknuté alebo poškodené ostrie.
12. Používajte len príruby určené pre tento nástroj.
13. Budte opatrní, aby ste nepoškodili hriadeľ, príruby (najmä montážnu plochu) alebo maticovú skrutku. Poškodenie týchto dielov by mohlo spôsobiť narušenie ostria.
14. Skontrolujte, či je rotačná základňa bezpečne zaistená, aby sa počas práce nepohybovala.
15. Pre vlastnú bezpečnosť odstráňte pred prácou triesky, malé úlomky a pod. zo stola.
16. Nerezte klince. Pred prácou skontrolujte, či na obrobku nie sú klince a prípadne ich odstráňte.
17. Predtým, ako zapnete spínač, skontrolujte, či je posúvačový uzáver uvoľnený.
18. Dbajte na to, aby sa ostrie v najnižšej polohe nedotklo rotačnej základne.
19. Pevne uchopte rúčku. Myslíte na to, že píla sa pri spustení a zastavení trochu pohne nahor alebo nadol.
20. Skôr, ako zapnete spínač, skontrolujte, či sa ostrie nedotýka obrobku.
21. Predtým, ako použijete nástroj na konkrétnom obrobku, nechajte ho chvíľu bežať. Sledujte, či nedochádza k vibráciám alebo hádzaniu, ktoré by mohlo naznačovať nesprávnu montáž alebo nesprávne vyvážené ostrie.
22. Kým začnete rezať, počkajte, kým ostrie nedosiahne plnú rýchlosť.
23. Ak spozorujete niečo nezvyčajné, okamžite zastavte prácu.
24. Nepokúšajte sa uzamknúť prepínač v zapnutej polohe.
25. Neustále buďte strehu, zvlášť pri opakujúcich sa a monotónnych úkonoch. Neupadnite do stavu falošnej bezpečnosti. Čepele sú mimoriadne nemilosrdné.
26. Vždy používajte príslušenstvo odporúčané v tomto návode. Pri používaní nevhodného príslušenstva, napríklad brúsnych kotúčov, môže dôjsť k poraneniu.
27. Nepoužívajte pílu na rezanie iných materiálov ako dreva, hliníka a podobných materiálov.
28. Pri pílení pripojte zrezávačky na zberač prachu.
29. Pílové ostria vyberajte primerane podľa rezaného materiálu.
30. Pri drážkovaní buďte opatrní.
31. Keď je zárezová doska vydratá, vymeňte ju.
32. Nepoužívajte pílové ostria vyrobené z rýchloreznej ocele.
33. Niekedy prach vytváraný pri práci obsahuje chemikálie, o ktorých je známe, že spôsobujú rakovinu, poruchy plodov alebo iné reprodukčné poškodenia. Niekoľko príkladov takýchto chemikálií:
  - olovo z maliarskych materiálov na báze olova a,
  - Arzén a chróm z chemicky ošetrovaného stavebného dreva.
 Riziko pre vás z vystavenia týmto látkam sa líši v závislosti od toho, ako často vykonávate tento typ prác. Ako znížite riziká z vystavenia týmto chemikáliám: pracujte na dobre vetranom mieste a pracujte s odporúčanými bezpečnostnými pomôckami, napríklad protiprachovými maskami, ktoré sú špeciálne určené na filtrovanie mikroskopických častíc.
34. Na zníženie emitovaného hluku zabezpečte, aby bolo ostrie vždy ostré a čisté.
35. Obsluha musí byť primerane zaškolená na používanie, nastavovanie a prevádzku nástroja.
36. Používajte správne naostrené pílové ostria. Dodržiavajte označenie maximálnej rýchlosti na pílovom ostří.
37. Neodstraňujte žiadne odrezky či iné časti obrobku z oblasti rezania, kým je nástroj spustený a hlavica píly nie je v pokojovej polohe.
38. Používajte jedine pílové listy odporúčané výrobcom, ktoré vyhovujú norme EN847-1.
39. Počas manipulácie s pílovým listom používajte rukavice (pokiaľ je to možné, pílové listy prenášajte pomocou držiaka) a odolný materiál.
40. V prípade vybavenia laserom nie je dovolené zamieňať za iný typ lasera. Opravy musia byť vykonané správne.

## TIETO POKYNY USCHOVAJTE.

### INŠTALÁCIA

#### Montáž plošiny

##### Fig.1

Náradie sa dodáva tak, že rukoväť je uzamknutá v dolnej polohe pomocou kolíka zarážky. Kolík zarážky uvoľnite súčasným vyvinutím mierneho tlaku na rukoväť smerom nadol a ťahaním kolíka zarážky.

##### Fig.2

Tento nástroj musí byť priskrutkovaný štyrmi skrutkami s maticou na rovný a stabilný povrch pomocou skrutkových otvorov, ktoré sa nachádzajú v základni nástroja. Toto pomôže zabrániť vyklopeniu a možnému poraneniu.

## POPIS FUNKCIE

### ⚠VAROVANIE:

- **Pred nastavovaním a kontrolou fungovania náradia náradie vždy vypnite a odpojte od prívodu elektrickej energie.** Opomenutie vypnúť náradie a odpojiť ho od prívodu elektrickej energie môže mať pri náhodnom spustení za následok vážne osobné poranenie.

### Chránič čepele

#### Fig.3

Pri znižovaní rukoväte, sa chránič čepele automaticky dvíha. Chránič čepele sa vráti do svojej pôvodnej polohy, keď sa rez dokončí a rukoväť sa zdvihne.

### ⚠VAROVANIE:

- **Nikdy chránič čepele ani pružinu, ktorá je pripojená chrániču nedemontujte ani neobmedzujte ich činnosť.** Odhalená čepeľ ako výsledok obmedzenia činnosti chrániča môže mať za následok vážne osobné poranenia vzniknuté počas prevádzky.

V záujme vašej osobnej bezpečnosti vždy udržiajte chránič čepele v dobrom stave. Akákoľvek chybná činnosť chrániča čepele sa musí okamžite opraviť. Skontrolujte, či pružina pracuje správne a či vracia chránič späť na miesto.

### ⚠VAROVANIE:

- **Nikdy nepoužívajte náradie s poškodeným alebo odstráneným chráničom alebo čepeľou.** Prevádzkovanie náradia s poškodeným, chybným alebo demontovaným chráničom môže mať za následok vážne osobné poranenia.

Ak sa priehľadný chránič čepele znečistí alebo sa naň prilepia piliny tak, že čepeľ a/alebo pracovný kus sú len ťažko viditeľné, odpojte pílu zo siete a vyčistite opatrne chránič pomocou vlhkej tkaniny. Na čistenie plastového chrániča nepoužívajte rozpúšťadlá ani čistiace prostriedky na báze benzínu, pretože môže dôjsť k poškodeniu chrániča.

Pokiaľ dôjde k znečisteniu chrániča čepele a je potrebné ho kvôli správnej prevádzke vyčistiť, postupujte podľa dolu uvedených krokov:

Náradie vypnite a odpojte od prívodu elektrickej energie a pomocou dodávaného nástrčkového kľúča uvoľnite šesťhrannú skrutku, ktorá pridržiava centrálny kryt. Šesťhrannú skrutku uvoľnite tak, že ju otočíte proti smeru hodinových ručičiek a zodvihnete chránič čepele a centrálny kryt.

#### Fig.4

S chráničom čepele v takejto polohe sa čistenie môže vykonať dôkladnejšie a účinnejšie. Po ukončení čistenia vykonajte postup v opačnom poradí a zaistite skrutku. Neodstraňujte pružinu, ktorá drží chránič čepele. Ak sa chránič v dôsledku starnutia alebo v dôsledku účinkov UV

žiarenia poškodí, kontaktujte servisné centrum spoločnosti Makita a požiadajte o nový chránič. **CHRÁNIČ NEPOŠKODZUJTE ANI NEODSTRAŇUJTE.**

### Polohovanie zárezovej dosky

#### Fig.5

#### Fig.6

Tento nástroj je vybavený zárezovými doskami v rotačnej základni, ktoré minimalizujú rozvláknovanie vychádzajúcej strany rezu. Zárezové dosky sú nastavené už pri ich výrobe tak, aby sa čepeľ píly nedotýkala zárezových dosiek. Pred použitím nastavte zárezové dosky nasledovne:

Najprv odpojte nástroj zo siete. Uvoľnite všetky skrutky (3 na ľavej a 3 na pravej strane), ktoré zaisťujú zárezové dosky. Znova ich utiahnite len do tej miery, že sa zárezové dosky budú dať odstrániť aj ručne. Znížte rukoväť úplne a potlačte kolík zarážky, aby sa uzamkla rukoväť v zníženej polohe. Povoľte skrutku, ktorá zaisťuje posuvné súčiastky. Potiahnite rám nesúci zariadenie úplne smerom k sebe. Nastavte zárezové dosky tak, aby sa dostali do malého kontaktu s bokmi zubov na pilovom liste. Uťahnite predné skrutky (neutahujte ich veľmi pevne). Potlačte rám nesúci zariadenie úplne smerom k vodiacemu pravítku a nastavte zárezové dosky tak, aby sa dostali do malého kontaktu s bokmi zubov na pilovom liste. Uťahnite zadné skrutky (neutahujte ich veľmi pevne).

Po nastavení zárezových dosiek uvoľnite kolík zarážky a zodvihnite rukoväť. Potom bezpečne utiahnite všetky skrutky.

#### UPOZORNENIE:

- **Po nastavení uhla úkosu sa presvedčte, že zárezové dosky sú správne nastavené.** Správne nastavenie zárezových dosiek pomôže zabezpečiť správnu podporu pracovného kusa pri minimalizovaní jeho vytrhnutia.

### Udržovanie maximálnej rezacej kapacity

Toto náradie bolo výrobné nastavené s cieľom zabezpečiť maximálnu reznú kapacitu pre 255 mm pilovú čepeľ.

Pred vykonávaním akéhokoľvek nastavovania odpojte náradie od prívodu elektrickej energie. Pri inštalácii novej čepele vždy skontrolujte spodnú limitnú polohu čepele a ak je to potrebné, nastavte ju nasledovne:

#### Fig.7

#### Fig.8

Najprv odpojte nástroj zo siete. Posuňte rám nesúci zariadenie úplne smerom k vodiacemu pravítku a úplne znížte rukoväť. Na otočenie nastavovacej skrutky použite francúzsky kľúč na šesťhranné skrutky. Otáčajte, kým sa okraj pilového listu nevysunie mierne pod horný povrch rotačnej základne, kde sa predné čelo vodiaceho pravítka stretne s horným povrchom rotačnej základne. S odpojeným nástrojom otáčajte ručne čepeľou, zároveň držte čepeľ celý čas smerom dole, aby ste sa uistili, že čepeľ nie je v kontakte ani s jednou časťou dolnej základne. Znova jemne nastavte, ak je to potrebné.



## **⚠VAROVANIE:**

- **Po nainštalovaní novej čepele a pri náradí odpojenom od prívodu elektrickej energie sa vždy presvedčte, že čepeľ sa pri úplnom znížení rukoväte nedotýka žiadnej časti spodnej základne.** Pokiaľ sa čepeľ dotkne základne, môže spôsobiť spätný náraz s dôsledkom vážnych osobných poranení.

## **Rameno zarážky**

**Fig.9**

Poloha dolného limitu čepele sa dá ľahko nastaviť pomocou ramena zarážky. Ak ho chcete nastaviť, posuňte rameno zarážky v smere šípky tak, ako je to zobrazené na obrázku. Nastavte nastavovaciu skrutku tak, že sa čepeľ zastaví v požadovanej polohe počas úplného zníženia rukoväte.

## **Nastavenie uhla zrezania**

**Fig.10**

Uvoľnite svorku otočením proti smeru hodinových ručičiek. Otočte rotačnú základňu a zároveň stlačte dole uzamykaciu páku. Keď ste posunuli svorku do polohy, kde ukazovateľ nesmeruje do požadovaného uhla na škále zrezania, bezpečne utiahnite svorku v smere hodinových ručičiek.

## **⚠POZOR:**

- Po zmene uhla zrezania vždy zaistíte rotačnú základňu pevným utiahnutím svorky.

## **UPOZORNENIE:**

- Pri otočení rotačnej základne sa uistite, že ste rukoväť zdvihli úplne.

## **Nastavenie uhla skosenia**

**Fig.11**

Ak chcete nastaviť uhol skosenia, uvoľnite páku na zadnej časti nástroja proti smeru hodinových ručičiek, Odomknite rameno potlačením rukoväte pomerne silno v smere, v ktorom si želáte nakloniť čepeľ píly.

## **POZNÁMKA:**

- Páčku možno nastaviť na rôzny uhol páčky odskrutkovaním skrutky, ktorá pridržiava páčku a zaistením páčky v požadovanom uhle.

**Fig.12**

Nakloňte čepeľ píly, až kým ukazovateľ nesmeruje do požadovaného uhla na škále skosenia. Potom utiahnite páku v smere hodinových ručičiek, aby ste pevne zaistili rameno.

**Fig.13**

Pri sklápaní rámu nesúceho zariadenie doprava, nakloňte po uvoľnení páčky rám nesúci zariadenie mierne doľava a stlačte tlačidlo pre uvoľnenie. Počas stlačenia tlačidla pre uvoľnenie nakloňte rám doprava.

**Fig.14**

Nakloňte čepeľ píly, až kým ukazovateľ nesmeruje do požadovaného uhla na škále skosenia. Potom utiahnite páku v smere hodinových ručičiek, aby ste pevne zaistili rameno.

- Pri zmene uhlov skosenia dbajte na správne polohovanie zárezových dosiek tak, ako je to vysvetlené v časti „Polohovanie zárezových dosiek“.

## **⚠POZOR:**

- Po zmene uhla skosenia vždy zaistíte rameno utiahnutím páky v smere hodinových ručičiek.

## **UPOZORNENIE:**

- Pri nakláňaní píly úplne zdvihnite rukoväť.
- Pri zmene uhlov skosenia dbajte na správne polohovanie zárezových dosiek tak, ako je to vysvetlené v časti „Polohovanie zárezových dosiek“.

## **Nastavenie zablokovania posunu**

**Fig.15**

Na zaistenie posuvného kolíka otočte zaistovaciu skrutku v smere hod. ručičiek.

## **Zapínanie**

### **Pre európske krajiny**

**Fig.16**

Aby sa zabránilo náhodnému vytiahnutiu spúšťača spínača, nachádza sa tu odomykacie tlačidlo. Ak chcete zapnúť nástroj, posuňte páku doľava, stlačte uzamykacie tlačidlo a potom potiahnite spúšťač spínača. Uvoľnením spúšťača spínača ho zastavíte.

## **⚠VAROVANIE:**

- **Pred zapojením náradia vždy skontrolujte, či sa vypínač riadne uvádza do chodu a pri uvoľnení sa vracia do polohy „OFF“.** Nevyťahujte silno vypínač bez zatlačenia uzamykacieho tlačidla. Mohlo by dôjsť k poškodeniu vypínača. Prevádzka náradia s nesprávne fungujúcim vypínačom môže viesť ku strate ovládania a k vážnym osobným poraneniam.

Otvor vo vypínači slúži na zasunutie visiaceho zámku s cieľom uzamknúť náradie.

### **Pre všetky ostatné krajiny okrem Európy**

**Fig.17**

Aby sa zabránilo náhodnému vytiahnutiu spúšťača spínača, nachádza sa tu odomykacie tlačidlo. Ak chcete zapnúť nástroj, stlačte uzamykacie tlačidlo a potiahnite spúšťač spínača. Uvoľnením spúšťača spínača ho zastavíte.

## **⚠VAROVANIE:**

- **Pred zapojením náradia vždy skontrolujte, či sa vypínač riadne uvádza do chodu a pri uvoľnení sa vracia do polohy „OFF“.** Nevyťahujte silno vypínač bez zatlačenia uzamykacieho tlačidla.

### Mohlo by dôjsť k poškodeniu vypínača.

Prevádzka náradia s nesprávne fungujúcim vypínačom môže viesť ku strate ovládania a k vážnym osobným poraneniam.

Otvor vo vypínači slúži na zasunutie visiaceho zámku s cieľom uzamknúť náradie.

### ⚠VAROVANIE:

- **Nepoužívajte zámok s tyčkou alebo s káblom s priemerom menším ako 6,35 mm.** Menšia tyčka alebo kábel nemusia správne zablokovat' náradie v polohe vypnutia, pričom môže dôjsť k náhodnému spusteniu s dôsledkom vážnych osobných poranení.
- **NIKDY nepoužívajte náradie bez plne prevádzkyschopného vypínača.** Akékoľvek náradie s nefunkčným vypínačom je VEĽMI NEBEZPEČNÉ a pred ďalším použitím musí byť opravené; v opačnom prípade môže dôjsť k vážnym osobným poraneniam.
- Z dôvodu vašej bezpečnosti je toto náradie vybavené uzamykacím tlačidlom, ktoré zabráni, aby sa náradie náhodne spustilo. NIKDY nepoužite nástroj, keď je v prevádzke, keď jednoducho potiahnete vypínač bez stlačenia uzamykacieho tlačidla. Vypínač, ktorý potrebuje vykonanie opravy môže spôsobiť náhodné spustenie a vážne osobné poranenie. Náradie zanešte do servisného centra spoločnosti Makita, kde ho PRED ďalším použitím dôkladne opraví.
- NIKDY nepoškodzujte uzamykacie tlačidlo klepaním nadol alebo inými prostriedkami. Vypínač s poškodeným uzamykacím tlačidlom môže spôsobiť náhodné spustenie s dôsledkom vážnych osobných poranení.

### Elektronická funkcia

#### Funkcia reštartovania

- Táto funkcia umožňuje hladké spustenie náradia obmedzením krútiaceho momentu pri spustení.

### Činnosť laserového lúča

#### Len pre model LS1018L

#### POZNÁMKA:

- Pred použitím nainštalujte do priehradky pre vloženie batérií dve suché batérie veľkosti AA. Informácie o inštalácii nájdete v časti s názvom „Výmena batérií laserovej jednotky“.

### ⚠POZOR:

- Keď sa laser nepoužíva, vypnite ho

#### Fig.18

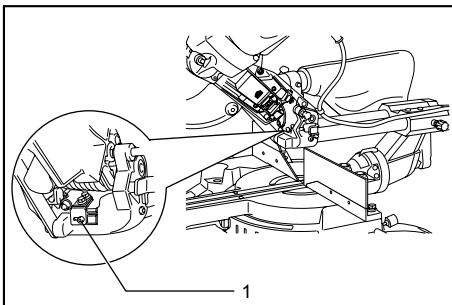
### ⚠POZOR:

- Nikdy sa nepozerajte do laserového lúča. Priamy laserový lúč môže poškodiť vaše oči.
- **LASEROVÉ ŽIARENIE, NEPOZERAJTE SA DO ZVÄZKU LÚČOV, VÝROBOK OBSAHUJÚCI LASER 2. TRIEDY.**

- Pred posunutím laserovej čiary alebo vykonávaním údržbových nastavení odpojte nástroj od elektriny.

Ak chcete zapnúť laserový lúč, stlačte vypínač do hornej polohy (I). Ak chcete laserový lúč vypnúť, stlačte vypínač do spodnej polohy (O).

Laserovú čiaru môžete posunúť buď doľava alebo doprava pilového listu tak, že uvoľníte skrutku, ktorá drží skriňu laserovej jednotky a posuniete ju do želaného smeru. Po posunutí skrutku utiahnite.



1. Skrutka držiaca skriňu s laserovou jednotkou

010473

Laserová čiara je nastavená už pri výrobe tak, že je umiestnená do 1 mm od bočného povrchu čepele (poloha rezania).

#### POZNÁMKA:

- Keď laserová línia zoslabne a nie je ju kvôli priamemu slnečnému žiareniu vidieť, premiestnite pracovné miesto na miesto, kde je menej priameho slnečného žiarenia.

### Výmena batérií laserovej jednotky

#### Fig.19

#### Fig.20

Odstráňte kryt batérie laserovej jednotky tak, že ho budete tlačiť a súčasne posúvať. Staré batérie vyberte a vložte nové podľa zobrazenia na obrázku. Po výmene vráťte kryt a zakryte ich.

### Čistenie šošoviek laserového svetla

Ak sa šošovky laserového svetla jemne znečistia alebo sa na ne prilepia piliny tak, že laserová čiara už nie je jasne viditeľná, odpojte pílu zo siete a odstráňte a opatrne vyčistite šošovky laserového svetla pomocou mäkkej vlhkej handričky. Nepoužívajte rozpúšťadlá alebo petrolejové čistidlá na čistenie šošoviek.

#### POZNÁMKA:

- Keď je laserová čiara zahmlená a takmer alebo úplne neviditeľná kvôli priamemu slnečnému svetlu, prenikajúcemu cez vnútorné alebo vonkajšie okno pri práci, premiestnite pracovnú plochu na miesto, ktoré nie je vystavené priamemu slnečnému svetlu.

# MONTÁŽ

## ⚠VAROVANIE:

- **Pred vykonávaním práce na náradí náradie vždy náradie vypnite a odpojte od prívodu elektrickej energie.** Opomenutie vypnúť náradie a odpojiť ho od prívodu elektrickej energie môže mať za následok vážne osobné poranenie.

## Skladovanie zakladacieho kľúča s francúzskym kľúčom na šesťhranné skrutky na druhom konci

### Fig.21

Nástrčkový kľúč je uložený tak, ako je to zobrazené na obrázku. Pokiaľ nástrčkový kľúč budete potrebovať, vytiahnite ho z držiaka kľúča. Po použití nástrčkového kľúča ho môžete uložiť vrátením do držiaka kľúča.

## Instalácia alebo demontáž ostria píly

### ⚠VAROVANIE:

- **Pred inštaláciou a demontážou čepele náradie vždy vypnite a odpojte od prívodu elektrickej energie.** Náhodné spustenie náradia môže mať za následok vážne osobné poranenie.
- **Na inštaláciu a demontáž čepele používajte jedine dodávaný nástrčkový kľúč značky Makita.** Opomenutie používať tento kľúč môže mať za následok nadmerné utiahnutie alebo nedostatočné utiahnutie šesťhrannej skrutky s dôsledkom vážnych osobných poranení.

### Fig.22

Uzamknite rukoväť v zodvihnutej polohe zatlačením kolíka zarážky.

### Fig.23

Ak chcete odstrániť čepeľ, pomocou zastrkávacieho kľúča uvoľnite šesťbokú maticovú skrutku, ktorá drží stredný kryt, jej otočením proti smeru pohybu hodinových ručičiek. Nadvihnite chránič ostria a stredný kryt.

### Fig.24

Stlačte posúvačový uzáver, aby sa uzamkol hriadeľ a použite zastrkávací francúzsky kľúč na uvoľnenie šesťbokej závoru v smere hodinových ručičiek. Potom odstráňte šesťbokú závoru, vonkajšiu obrubu a čepeľ.

## POZNÁMKA:

- Pri demontovaní vnútornej príruby ju nainštalujte na hriadeľ tak, aby jej výčnelok smeroval od čepele. Pri nesprávnom namontovaní príruby sa bude príruha trieť o strojné zariadenie.

### ⚠VAROVANIE:

- **Pred namontovaním čepele na hriadeľ sa vždy presvedčte, že medzi vnútornou a vonkajšou prírubou je nainštalovaný správny prstenec pre otvor pre hriadeľ na čepeli, ktorú chcete použiť.** Použitie nesprávneho prstenca pre otvor pre

hriadeľ môže mať za následok nesprávne namontovanie čepele s dôsledkom pohybu čepele a silného vibrovania, čo môže vyústiť k strate ovládania počas prevádzky a zároveň môže dôjsť k vážnym osobným poraneniam.

### Fig.25

Ak chcete nainštalovať čepeľ, namontujte ju opatrne do hriadeľa, uistite sa, že smer šípky na povrchu čepele sa zhoduje so smerom šípky na puzdre čepele.

Nainštalujte vonkajšiu obrubu a šesťbokú závoru a potom použite zastrkávací francúzsky kľúč na bezpečné utiahnutie šesťbokej závoru (ľavej) proti smeru hodinových ručičiek, zároveň stlačte posúvačový uzáver.

## Pre všetky ostatné krajiny okrem Európy

### Fig.26

#### ⚠VAROVANIE:

- Čierny prstenec s vonkajším priemerom 25 mm a strieborný prstenec s vonkajším priemerom 25,4 mm sú nainštalované už vo výrobe tak, ako je to zobrazené na obrázku. Keď používate čepeľ s priemerom otvoru 25 mm, vymeňte strieborný prstenec za čierny prstenec. **Pred namontovaním čepele na hriadeľ sa vždy presvedčte, že medzi vnútornou a vonkajšou prírubou je nainštalovaný správny prstenec pre otvor pre hriadeľ na čepeli, ktorú chcete použiť.** Použitie nesprávneho prstenca pre otvor pre hriadeľ môže mať za následok nesprávne namontovanie čepele s dôsledkom pohybu čepele a silného vibrovania, čo môže vyústiť k strate ovládania počas prevádzky a zároveň môže dôjsť k vážnym osobným poraneniam.

## Pre európske krajiny

#### ⚠POZOR:

- Prstenec s vonkajším priemerom 30 mm je nainštalovaný medzi vnútornou a vonkajšou obrubou už vo výrobe.

Nainštalujte vonkajšiu obrubu a šesťbokú závoru a potom použite zastrkávací francúzsky kľúč na bezpečné utiahnutie šesťbokej závoru proti smeru hodinových ručičiek, zároveň stlačte posúvačový uzáver.

### Fig.27

Vráťte chránič čepele a centrálny kryt do ich pôvodnej polohy. Potom utiahnite šesťhrannú skrutku v smere hodinových ručičiek, aby ste zaistili centrálny kryt. Uvoľnite rukoväť zo zdvihnutej polohy potiahnutím kolíka zarážky. Znížte rukoväť, aby ste sa uistili, že chránič čepele sa pohybuje správne. Uistite sa ešte pred rezaním, že posúvačový uzáver uvoľnil hriadeľ.

## Vrecko na prach (príslušenstvo)

### Fig.28

Používanie vrecka na prach zabezpečuje čisté úkony rezania a uľahčuje zber prachu. Vrecko na prach nasadte na prachový otvor.

Ak je vrecko na prach približne napoly naplnené, odstráňte ho z nástroja a vytiahnite upínadlo. Vyprázdňte ho jemným vyklepaním tak, aby sa odlepili aj častice, ktoré by mohli brániť v ďalšom zbieraní prachu.

#### POZNÁMKA:

Ak pripojíte k vašej píle vysávač, dosiahnete čistejšiu prevádzku.

#### Zaistenie obrobku

#### VAROVANIE:

- **Je nesmierne dôležité, aby ste pracovný kus vždy správne zaistili, a to pomocou správneho typu zveráka alebo tvarovaných korunkových zarážok.** V opačnom prípade môže dôjsť k vážnym osobným poraneniam a k poškodeniu náradia a/alebo pracovného kusa.
- **Po vykonaní rezu čepeľ až do jej úplného zastavenia nezdvíhajte.** Zdvihnutie otáčajúcej sa čepele môže mať za následok vážne osobné poranenie a poškodenie pracovného kusa.
- **Pokiaľ režete pracovný kus dlhší ako je pracovná základňa píly, materiál by ste mali po celej jeho dĺžke po podpornej základni podprieť a mali by ste zachovať rovnakú výšku uloženia materiálu.** Správne podoprenie pracovného kusa vám pomôže vyhnúť sa uviaznutiu čepele a možnému spätnému nárazu s dôsledkom vážnych osobných poranení. Čo sa týka zaistenia pracovného kusa, nespoľiehajte sa výhradne len na vertikálny zverák a/alebo horizontálny zverák. Tenký materiál má tendenciu prehybať sa. Podprite pracovný kus po celej jeho dĺžke, aby ste predišli uviaznutiu čepele a možnému SPÄTNÉMU NÁRAZU.

#### Fig.29

#### Nastavenie vodiacich pravítok (POSUVNÉ PRAVÍTKA, ktoré predstavujú horné a dolné pravítka)

#### Fig.30

#### VAROVANIE:

- Pred prevádzkovaním nástroja sa ubezpečte, že posuvné vodidlo je zaistené.
- **Pred úkosovým rezaním sa presvedčte, že žiadna časť náradia, hlavne čepeľ, sa nedotýka horných a spodných rukovätí, a to pri úplnom znížení a zdvihnutí rukoväte v akekoľvek polohe a pri pohybe rámu nesúceho zariadenie v rámci celej dĺžky jeho pojazdu.** Pokiaľ sa náradie alebo čepeľ dotkne pravítka, dôjde k spätnému nárazu alebo k neočakávanému pohybu materiálu a k vážnemu osobnému poraneniu.

#### Fig.31

#### VAROVANIE:

- Keď vykonávate ľavé pokosové rezy, posuňte posuvné vodidlo doľava a zaistite ho tak, ako je to zobrazené na obrázku. V opačnom prípade sa dotkne píloveho listu alebo časti nástroja a môže zapríčiniť vážne zranenie pracovníka.

Tento nástroj je vybavený posuvným vodidlom, ktoré by sa malo bežne umiestniť tak, ako je to zobrazené na obrázku.

Ale keď vykonávate ľavé pokosové rezy, nastavte ho do ľavej polohy tak, ako je to zobrazené na obrázku, ak sa ho dotýka hlava nástroja.

Keď dokončíte vykonávanie pokosových rezov, nezabudnite vrátiť posuvné vodidlo do pôvodnej polohy a pevne ho zaistiť utiahnutím upínacej skrutky.

#### Podružné ochranné zariadenie R

#### VAROVANIE:

- Pred prevádzkovaním nástroja sa ubezpečte, že podružné ochranné zariadenie R je zaistené.
- Pred vykonávaním pravých pokosových rezov odstráňte podružné ochranné zariadenie R. Dotkne sa píloveho listu alebo časti nástroja a môže zapríčiniť vážne zranenie pracovníka.

#### Fig.32

Podružné ochranné zariadenie R je možné odstrániť z pravej strany vodidla ochranného zariadenia. Na odstránenie podružného ochranného zariadenia R povolte skrutku, ktorá zaisťuje podružné ochranné zariadenie R a vytiahnite ho. Pri inštalácii postupujte rovnakým spôsobom v opačnom poradí krokov.

Keď dokončíte vykonávanie pokosových rezov, nezabudnite vrátiť podružné ochranné zariadenie R do pôvodnej polohy a pevne ho zaistiť utiahnutím upínacej skrutky.

#### Vertikálny zverák

#### Fig.33

Vertikálny zverák sa môže nainštalovať buď na ľavej alebo pravej strane vodidla ochranného zariadenia. Zasuňte tyč zveráka do otvoru na vodidle ochranného zariadenia a utiahnite skrutku na zadnej strane vodidla ochranného zariadenia, aby ste zaistili tyč zveráka.

Umiestnite rameno zveráka v závislosti od hrúbky a tvaru obrobku a zaistite rameno zveráka utiahnutím skrutky. Ak sa skrutka, ktorou zaisťujete rameno zveráka, dotýka vodidla ochranného zariadenia, nainštalujte skrutku na protiľahlú stranu ramena zveráka. Uistite sa, že žiadna časť nástroja sa nedotýka zveráka, keď úplne budete znižovať rukoväť a keď budete tlačiť alebo ťahať podvozok. Ak sa niektoré časti dotýkajú zveráka, zmeňte polohu zveráka.

Stlačte plochu obrobku oproti vodidlu ochranného zariadenia a rotačnej základne. Umiestnite obrobok do požadovanej polohy rezania a pevne ho zaistite utiahnutím otočného gombíka zveráka.

## ⚠VAROVANIE:

- **Pracovný kus musí byť pevne zaistený k otočnej základni a vodiacemu pravitku pomocou zveráka, a to počas všetkých činností.** Pokiaľ nebude pracovný kus správne zaistený ku pravitku, materiál sa počas rezania môže pohybovať s dôsledkom možného poškodenia čepele, odhodenia materiálu a straty ovládania, pričom môže dôjsť k vážnym osobným poraneniam.

### Horizontálny zverák (voliteľný doplnok)

Fig.34

Horizontálny zverák je možné nastaviť do dvoch poloh na ľavej alebo pravej strane základne. Pri vykonávaní pokosových rezov hodnoty 10° a viac nainštalujte horizontálny zverák na stranu oproti smeru, do ktorého sa bude otáčať otočná základňa.

Fig.35

Preklopením matice zveráka proti smeru hodinových ručičiek sa zverák uvoľní a bude sa rýchlo pohybovať dovnútra a von. Ak chcete uchopiť pracovný kus, potlačte otočný gombík zveráka dopredu, až kým sa doska zveráka nedotkne pracovného kusa a preklopte maticu zveráka v smere hodinových ručičiek. Potom otočte otočným gombíkom zveráka v smere hodinových ručičiek, čím zaistíte pracovný kus.

Maximálna šírka pracovného kusa, ktorý sa má zaistiť horizontálnym zverákom je 215 mm.

Keď budete inštalovať horizontálny zverák na pravú stranu základne, tiež použite podružné ochranné zariadenie R na ešte pevnejšie zaistenie obrobku. Pozrite si vyššie časť "Podružné ochranné zariadenie R", kde sa opisuje inštalácia podružného ochranného zariadenia R.

## ⚠VAROVANIE:

- **Maticu zveráka otáčajte vždy v smere hodinových ručičiek, dokiaľ nedôjde k správne zaisteniu pracovného kusa.** Pokiaľ nebude pracovný kus správne zaistený, materiál sa počas rezania môže pohybovať s dôsledkom možného poškodenia čepele, odhodenia materiálu a straty ovládania, pričom môže dôjsť k vážnym osobným poraneniam.
- Horizontálny zverák používajte vždy pri rezaní tenkého pracovného kusa, ako sú základné dosky, pri pravitku.

### Držiaky

Fig.36

Držiaky je možné nainštalovať na jednu z dvoch strán ako vhodný prostriedok horizontálneho podržania obrobkov. Tyče držiaka zasuňte úplne do otvorov v základni. Potom bezpečne utiahnite držiaky pomocou skrutiek.

## ⚠VAROVANIE:

- **Dlhý pracovný kus vždy podopierajte tak, aby bol zarovno s horným povrchom otočnej základne, čím dosiahnete presný rez a zabránite nebezpečnej strate ovládania náradia.** Správne podoprenie pracovného kusa pomôže predchádzať uviaznutiu a možnému spätnému nárazu s dôsledkom vážnych osobných poranení.

## PRÁCA

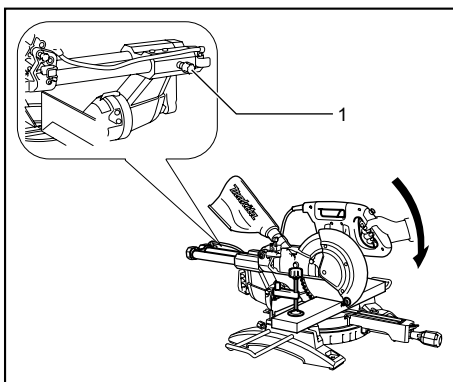
### UPOZORNENIE:

- Pred použitím dbajte na to, že uvoľníte rukoväť z dolnej polohy potiahnutím kolíka zarážky.
- Počas rezania príliš netlačte na rukoväť. Príliš veľký tlak môže zapríčiniť preťaženie motora a/alebo zníženie účinnosť rezania. Stlačte rukoväť len s takým tlakom, ktorý je potrebný pre hladké rezanie, a bez výrazného zníženia rýchlosti čepele.
- Jemne stlačte rukoväť, aby sa vykonal rez. Ak sa rukoväť stlačí príliš veľkou silou alebo ak sa použije postranný tlak, čepeľ bude vibrovať a zanechá stopu (stopu píly) v obrobku a presnosť rezu bude narušená.
- Počas klzavého rezu jemne potlačte podvozok smerom ku vodiču ochranného zariadenia bez zastavenia. Ak sa pohyb podvozku ukončí počas rezu, na obrobku sa zanechá stopa a presnosť rezu bude narušená.

## ⚠VAROVANIE:

- **Pred zapnutím sa presvedčte, že sa čepeľ nedotýka pracovného kusa a pod.** Zapnutie náradia pokiaľ sa čepeľ dotýka pracovného kusa môže spôsobiť spätný náraz a vážne osobné poranenia.

### 1. Tlakové rezanie (rezanie malých obrobkov)



1. Zaisťovacia skrutka

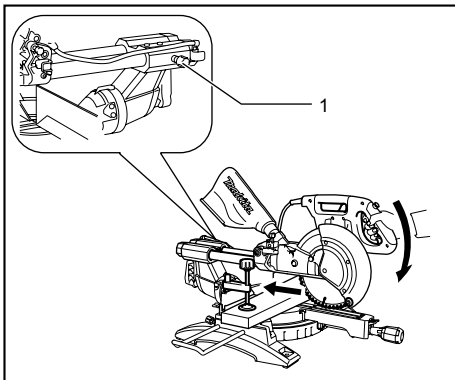
011409

Obrobky vysoké do 91 mm a široké do 70 mm môžu rezať nasledovným spôsobom.

Posuňte rám nesúci zariadenie úplne k vodiacemu pravitku a poistnú skrutku otočte v smere hodinových ručičiek, aby ste zaistili rám nesúci zariadenie. Obrobok správne zaistíte pomocou správneho typu zveráka. Zapnite náradie bez toho, aby sa čepeľ niečoho dotýkala a počkajte, kým čepeľ nedosiahne plnú rýchlosť pred znížením. Potom jemne znížte rukoväť do úplne dolnej polohy, aby sa rezal obrobok. Keď je rez dokončený, vypnite náradie a pred vrátením čepele do úplne zdvihnutej polohy POČKAJTE, AŽ KÝM SA ČEPEĽ ÚPLNE NEZASTAVÍ.

#### ⚠VAROVANIE:

- **Gombík pevne utiahnite v smere hodinových ručičiek tak, aby sa rám nesúci zariadenie počas činnosti nepohyboval.** Nedostatočné utiahnutie gombíka môže spôsobiť spätný náraz s dôsledkom vážneho osobného poranenia.
- 2. Posuvné (tlačené) rezanie (rezanie širokých obrobkov)**



#### 1. Zaisťovacia skrutka

011410

Poistnú skrutku otočte otočný proti smeru hodinových ručičiek tak, aby sa rám nesúci zariadenie mohol voľne posúvať. Obrobok zaistíte pomocou správneho typu zveráka. Potiahnite rám nesúci zariadenie úplne smerom k sebe. Zapnite náradie bez toho, aby sa čepeľ niečoho dotýkala a počkajte, kým čepeľ nedosiahne plnú otáčky. Stlačte dole rukoväť a **POTLAČTE RÁM NESÚCI ZARIADENIE SMEROM K VODIACEMU PRAVITKU A CEZ OBROBOK.** Keď je rez dokončený, vypnite náradie a pred vrátením čepele do úplne zdvihnutej polohy POČKAJTE, AŽ KÝM SA ČEPEĽ ÚPLNE NEZASTAVÍ.

#### ⚠VAROVANIE:

- **Vždy, keď budete vykonávať posuvný rez, najprv potiahnite rám nesúci zariadenie smerom k sebe a stlačte rukoväť úplne nadol;**

**následne zatlačte rám nesúci zariadenie smerom k vodiacemu pravitku. Nikdy nezačínajte rez, pokiaľ nie je rám nesúci zariadenie pritiahnutý úplne k vám.** Pokiaľ vykonáte posuvný rez bez úplného potiahnutia rámu nesúceho zariadenie k sebe, môže dôjsť k neočakávanému spätnému nárazu s dôsledkom vážnych osobných poranení.

- **Nikdy sa nepokúšajte vykonávať posuvný rez ťahaním rámu nesúceho zariadenie k sebe.** Ťahanie rámu nesúceho zariadenie k sebe môže spôsobiť neočakávaný spätný náraz s dôsledkom možných vážnych osobných poranení.
  - Nikdy nevykonávajte posuvný rez s rukoväťou zablokovanou v zníženej polohe.
  - **Nikdy počas otáčania čepele poistnú skrutku, ktorá zaisťuje rám nesúci zariadenie, Rám nesúci zariadenie uvoľnený počas vykonávania rezu môže spôsobiť neočakávaný spätný náraz s dôsledkom možných vážnych osobných poranení.**
- 3. Zrezávacie rezanie**  
Pozrite si predchádzajúcu časť „Nastavenie uhla zrezania“.
- 4. Skosený rez**

#### Fig.37

Uvoľnite páku a nakloňte čepeľ píly, aby ste nastavili uhol skosenia (pozrite si predchádzajúcu časť „Nastavenie uhla skosenia“). Dbajte na to, aby ste pevne utiahli páku, aby ste bezpečne zaistili zvolený uhol skosenia. Zaistíte obrobok pomocou zveráka. Uistite sa, že je podvozok potiahnutý späť celou cestou späť smerom k pracovníkovi. Zapnite nástroj bez toho, aby sa čepeľ niečoho dotýkala a počkajte, kým čepeľ nedosiahne plnú rýchlosť. Potom jemne znížte páku do úplne dolnej polohy, zatiaľ čo vytvoríte tlak rovnobežne s čepeľou a **POSUŇTE PODVOZOK SMEROM KU VODIDLU OCHRANNÉHO ZARIADENIA, ABY SA REZAL OBROBOK.** Keď je rez dokončený, vypnite nástroj a POČKAJTE, AŽ KÝM SA ČEPEĽ ÚPLNE NEZASTAVÍ pred vrátením čepele do úplne zdvihnutej polohy.

#### ⚠VAROVANIE:

- **Po nastavení čepele na vykonávanie úkosového rezu a pred prevádzkovaním náradia sa presvedčte, že rám nesúci zariadenie a čepeľ sa budú môcť voľne pohybovať v rámci celej dĺžky predpokladaného rezu.** Prerušenie pojazdu rámu nesúceho zariadenia alebo čepele počas vykonávania rezu môže spôsobiť spätný náraz a vážne osobné poranenia.
- **Pri vykonávaní úkosového rezu majte ruky mimo trasy čepele.** Uhol čepele môže zmiast' obsluhu čo sa týka skutočnej trasy čepele počas

rezania a kontakt s čepeľou môže mať za následok vážne osobné poranenia.

- **Čepeľ by ste nemali až do jej úplného zastavenia zdvihnúť.** Počas vykonávania úkosového rezu sa môže pred čepeľ dostať kus odrezku. Pri zdvihnúť otáčajúcej sa čepele môže byť odrezok čepeľou odhodnený, čo môže spôsobiť rozpadnutie materiálu s dôsledkom vážnych osobných poranení.

#### UPOZORNENIE:

- Keď budete stláčať rukoväť dole, zatlačte rovnoobežne s čepeľou. Ak sa vytvorí tlak kolmo na rotačnú základňu, alebo ak sa zmení smer tlaku počas rezu, presnosť rezu bude narušená.
- Pred vykonávaním úkosového rezu bude možno potrebné vykonať nastavenie horného a spodného pravítka. Pozrite si časť nazvanú „Nastavenie vodiacich pravítok“.

#### ⚠ POZOR:

- Podružné ochranné zariadenie R vždy demontujte tak, aby počas vykonávania pravých pokosových rezov neprekážalo žiadnej časti rámu nesúceho zariadenie.

#### 5. Zložené rezanie

Zložené rezanie je postup, pri ktorom sa vytvorí úkosový uhol a zároveň sa na pracovnom kuse bude vyrezávať pokosový uhol. Zložené rezanie je možné vykonať pod uhlom, ktorý je uvedený v tabuľke.

Uhol zrezania	Uhol skosenia
Vľavo a vpravo 0°- 45°	Vľavo a vpravo 0°- 45°

009713

Keď budete vykonávať zložené rezy, pozrite si vysvetlenia v častiach „Tlakové rezanie“, „Posuvné rezanie“, „Zrezané rezanie“ a „Skosené rezanie“.

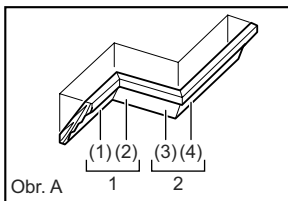
#### 6. Rezanie okrasných lišt s korunou alebo oblúkom

Okrasné lišty s korunou alebo oblúkom je možné rezať pomocou pokosovej píly na kombinované rezanie tak, že okrasné lišty budú ležať na rotačnej základni.

Existujú dva bežné typy okrasných lišt s korunou a jeden typ okrasných lišt s oblúkom; okrasná lišta s korunou so sklonom steny 52/38°, okrasná lišta s korunou so sklonom steny 45° a okrasná lišta s oblúkom so sklonom steny 45°. Pozrite si obrázky.

Fig.38

Zobrazené sú spoje okrasných lišt s korunou a oblúkom, ktoré sú zrealizované tak, aby vyhovovali pre „vnútorné“ 90° rohy ((1) a (2) na obr. A) a pre „vonkajšie“ 90° rohy ((3) a (4) na obr. A).



Obr. A

001556

1. Vnútorný roh
2. Vonkajší roh

Fig.39

#### Meranie

Odmerajte dĺžku steny a na stole nastavte pracovný kus s cieľom na požadovanú dĺžku odrezat' kontaktný okraj. Vždy sa presvedčte, že odrezaná dĺžka pracovného kusa **na zadnej strane pracovného kusa** je rovnaká ako dĺžka steny. Nastavte dĺžku rezu pre uhol rezu. Aby ste vyskúšali uhly čepele, vždy použite niekoľko kúskov na vykonanie skúšobných rezov.

Pri rezaní okrasných lišt s korunou alebo oblúkom nastavte uhol pokosu a uhol úkosu podľa tabuľky (A) a okrasné lišty umiestnite na horný povrch základne píly, ako je to uvedené v tabuľke (B).

#### V prípade ľavého úkosového rezu

	Poloha okrasnej lišty na obr. A	Tabuľka (A)			
		Uhol skosenia		Uhol zrezania	
		Typ 52/38°	Typ 45°	Typ 52/38°	Typ 45°
Pre vnútorný roh	(1)	Ľavý 33,9°	Ľavý 30°	Pravý 31,6°	Pravý 35,3°
	(2)			Pravý 31,6°	Pravý 35,3°
Pre vonkajší roh	(3)			Pravý 31,6°	Pravý 35,3°
	(4)			Pravý 31,6°	Pravý 35,3°

006361

	Poloha okrasnej lišty na obr. A	Tabuľka (B)	
		Okraj okrasnej lišty oproti vodiacemu pravítku	Dokončený kus
		Pre vnútorný roh	(1)
(2)	Okraj kontaktu so stenou by mal byť oproti vodiacemu pravítku.		
Pre vonkajší roh	(3)	Okraj kontaktu so stropom by mal byť oproti vodiacemu pravítku.	Dokončený kus bude na pravej strane čepele.
	(4)	Okraj kontaktu so stropom by mal byť oproti vodiacemu pravítku.	

006362

#### Príklad:

V prípade rezania okrasnej lišty s korunou typu 52/38° pre polohu (1) na obr. A:

- Skloňte a zaistite nastavenie uhas úkosu na 33,9° ĽAVÝ.
- Nastavte a zaistite nastavenie uhla pokosu na 31,6° PRAVÝ.
- Umiestnite okrasnú lištu s korunou tak, aby jej široká zadná strana (skrytá) smerovala nadol na rotačnú základňu; jej OKRAJ KONTAKTU SO STROPOM bude smerovať k vodiacemu pravítku

píly.

- Dokončený kus, ktorý sa použije bude po vykonaní rezu vždy na LAVEJ strane čepele.

### V prípade pravého úkosového rezu

Tabuľka (A)

	Poloha okrasnej lišty na obr. A	Uhol skosenia		Uhol zrezania	
		Typ 52/38°	Typ 45°	Typ 52/38°	Typ 45°
Pre vnútorný roh	(1)	Pravý 33,9°	Pravý 30°	Pravý 31,6°	Pravý 35,3°
	(2)			Lavý 31,6°	Lavý 35,3°
Pre vonkajší roh	(3)			Pravý 31,6°	Pravý 35,3°
	(4)			Pravý 31,6°	Pravý 35,3°

006363

Tabuľka (B)

	Poloha okrasnej lišty na obr. A	Okraj okrasnej lišty oproti vodiacemu pravitku	Dokončený kus
Pre vnútorný roh	(1)	Okraj kontaktu so stenou by mal byť oproti vodiacemu pravitku.	Dokončený kus bude na pravej strane čepele.
	(2)	Okraj kontaktu so stropom by mal byť oproti vodiacemu pravitku.	
Pre vonkajší roh	(3)	Okraj kontaktu so stenou by mal byť oproti vodiacemu pravitku.	Dokončený kus bude na ľavej strane čepele.
	(4)	Okraj kontaktu so stenou by mal byť oproti vodiacemu pravitku.	

006364

### Príklad:

V prípade rezania okrasnej lišty s korunou typu 52/38° pre polohu (1) na obr. A:

- Skloňte a zaistíte nastavenie uhas úkosu na 33,9° PRAVÝ.
- Nastavte a zaistíte nastavenie uhla pokosu na 31,6° PRAVÝ.
- Umiestnite okrasnú lišty s korunou tak, aby jej široká zadná strana (skrytá) smerovala nadol na rotačnú základňu; jej OKRAJ KONTAKTU SO STENOU bude smerovať k vodiacemu pravitku píly.
- Dokončený kus, ktorý sa použije bude po vykonaní rezu vždy na PRAVEJ strane čepele.

### 7. Rezanie hliníkových výliskov

Fig.40

Fig.41

Na zaistenie hliníkových výliskov použite bloky rozpery alebo kusy zvyškov tak, ako je to zobrazené na obrázku, aby ste predišli deformácii hliníka. Použite reznú kvapalinu, keď budete rezat' hliníkové výlisky, aby nedochádzalo k usadzovaniu hliníkového materiálu na čepele.

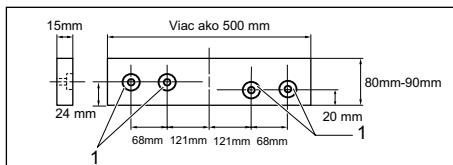
#### VAROVANIE:

- **Nikdy sa nepokúšajte rezat' hrubé alebo okrúhle hliníkové výlisky.** Hrubé alebo okrúhle hliníkové výlisky sa ťažko zaistujú a počas rezania sa môžu uvoľniť s dôsledkom straty ovládania a

vážnych osobných poranení.

### 8. Drevené obloženie

Použitie dreveného obloženia pomáha zabezpečiť rezy v obrobkoch bez triesok. Pripojte drevené obloženie ku vodičlu ochranného zariadenia, použite otvory na vodičle ochranného zariadenia. Pozrite si obrázok, kde sú rozmery odporúčaného dreveného obloženia.



#### 1. Otvory

010563

#### POZOR:

- Použite rovné drevo rovnej hrúbky ako má drevené obloženie.

#### VAROVANIE:

- **Použite skrutky na pripojenie dreveného obloženia ku vodiacemu pravitku.** Skrutky by mali byť nainštalované tak, aby hlavy skrutiek boli pod povrchom dreveného obloženia a neprekážali pri nastavení polohy materiálu, ktorý budete rezat'. Nesprávne zarovnanie materiálu, ktorý budete rezat' môže spôsobiť neočakávaný pohyb počas rezania s dôsledkom straty ovládania a vážnych osobných poranení.

#### UPOZORNENIE:

- Keď je pripojené drevené obloženie, neotáčajte rotačnú základňu so zníženou rukoväťou. Čepeľ a/alebo drevené obloženie sa poškodia.

### 9. Rezanie žliabkov

Fig.42

Drážkový typ rezania sa môže vykonať nasledovne:

Nastavte dolnú polohu čepele pomocou nastavovacej skrutky a rameno zarážky, aby obmedzovalo reznú hĺbku čepele. Pozrite si už opísanú časť „Rameno zarážky“.

Po nastavení dolnej limitnej polohy čepele vyrežte rovnobežné drážky cez šírku pracovného kusa pomocou posuvného (tlačného) rezania tak, ako je to zobrazené na obrázku. Potom odstráňte materiál pracovného kusa medzi drážkami pomocou dŕa.

#### VAROVANIE:

- **Nepokúšajte sa vykonávať tento typ rezu so širším typom čepele alebo s drážkovacou čepeľou.** Snaha o vykonanie drážkového rezu so širšou čepeľou alebo drážkovacou čepeľou môže mať za následok neočakávané výsledky rezu a



spätňý náraz s dôsledkom vážnych osobňých poranení

- **Pri vykonávaní iného než drážkového rezu nezabudnite rameno so zarážkou vrátiť do pôvodnej polohy.** Pokus o vykonávanie rezov s ramenom so zarážkou v nesprávnej polohe môže viesť k neočakávaným výsledkom rezu a k spätňému nárazu s dôsledkom vážnych osobňých poranení.

#### **⚠ POZOR:**

- Dbajte na to, aby ste vrátili rameno zarážky do pôvodnej polohy, keď vykonávate iné ako žliabkové rezy.

## **Prenášanie nástroja**

### **Fig.43**

Uistite sa, že náradie je odpojené zo siete. Zaisťte čepeľ v 0° uhle úkosu a úplne otočte rotačnú základňu v pravom uhle pokosu. Zaisťte posuvné stĺpiky tak, aby sa spodný posuvný kolík zablokoval v polohe rámu nesúceho zariadenie úplne vytiahnutého smerom k obsluhu a horné stĺpiky v polohe rámu nesúceho zariadenie úplne zatlačeného smerom k vodiacemu pravítku (Pozrite si časť „Nastavenie zablokovania posunu“.) Úplne znížte rukoväť a zaisťte ju v dolnej polohe vtláčením kolíka zarážky.

Napájaciu elektrickú šnúru navíňte pomocou podstavca pre šnúru.

#### **⚠ VAROVANIE:**

- **Kolík zarážky slúži len na účely prenášania a skladovania a nemal by sa nikdy používať pri rezaní.** Používanie kolíka zarážky pri rezaní môže spôsobiť neočakávaný pohyb čepele s dôsledkom spätňého nárazu a vážnych osobňých poranení.

Nástroj prenášajte držiac ho na oboch stranách základne nástroja tak, ako je to zobrazené na obrázku. Ak odstránite držiaky, vrecko na prach atď., nástroj sa vám bude ľahšie prenášať.

#### **⚠ POZOR:**

- Pred prenášaním náradia vždy zaisťte všetky jeho pohyblivé časti. Ak sa časti náradia počas jeho prenášania budú pohybovať alebo posúvať, môže dôjsť k strate ovládania alebo rovnováhy s dôsledkom osobňých poranení.

## **ÚDRŽBA**

#### **⚠ VAROVANIE:**

- **Pred vykonávaním kontroly a údržby náradie vždy vypnite a odpojte od prívodu elektrickej energie.** Opomenutie vypnúť náradie a odpojiť ho od prívodu elektrickej energie môže mať pri náhodnom spustení za následok vážne osobné poranenie.
- **Pre dosiahnutie najlepšieho a najbezpečnejšieho výkonu musí byť čepeľ**

**vždy ostrá a čistá.** Rezanie s tupou a/alebo špinavou čepeľou môže mať za následok spätňý náraz s dôsledkom vážnych osobňých poranení.

#### **UPOZORNENIE:**

- Nepoužívajte benzín, riedidlo, alkohol ani nič podobné. Mohlo by to spôsobiť zmenu farby, deformácie alebo praskliny.

## **Nastavenie uhla rezania**

Tento nástroj je starostlivo nastavený a vyrovnaný už pri výrobe, ale neopatrné zaobchádzanie môže ovplyvniť vyrovnanie. Ak nie je váš nástroj správne vyrovnaný, vykonajte nasledovné:

### **1. Uhol zrezania**

#### **Fig.44**

Rám zatlačte smerom ku vodičlu ochranného zariadenia a utiahnite zaisťovaciu skrutku, aby ste zaisťili rám.

Uvoľnite svorku, ktorá zaisťuje rotačnú základňu. Otočte rotačnú základňu tak, že ukazovateľ bude ukazovať na hodnotu 0° na mierke pokosu. Potom jemne otočte rotačnú základňu v smere hodinových ručičiek a proti smeru hodinových ručičiek tak, aby rotačná základňa zapadla na svoje miesto v drážke pre 0° pokos. (Nechajte ju tak, ak ukazovateľ nesmeruje na 0°.) Pomocou zakladacieho kľúča uvoľnite skrutky so šesťhrannou hlavou, ktoré zaisťujú vodiace pravítko.

#### **Fig.45**

Úplne znížte rukoväť a zaisťte ju v dolnej polohe vtláčením kolíka zarážky. Pomocou trojuholníkového pravítka, uhlomeru a pod. zarovnajete do pravého uhla bočnú stranu čepele a čelo vodiaceho pravítka. Následne dôkladne utiahnite skrutky so šesťhrannou hlavou, a to v poradí z pravej strany.

#### **Fig.46**

Uistite sa, že ukazovateľ smeruje do 0° na škále zrezania. Ak ukazovateľ nesmeruje do 0°, uvoľnite skrutku, ktorá zaisťuje ukazovateľ, a nastavte ukazovateľ tak, že bude smerovať ku 0°.

### **2. Uhol skosenia**

(1) 0° uhol skosenia

#### **Fig.47**

Rám zatlačte smerom ku vodičlu ochranného zariadenia a utiahnite zaisťovaciu skrutku, aby ste zaisťili rám. Úplne znížte rukoväť a zaisťte ju v dolnej polohe vtláčením kolíka zarážky. Uvoľnite páku na zadnej strane nástroja.

#### **Fig.48**

Otočte šesťhrannú skrutku na pravej strane ramena o dve alebo tri otočenia proti smeru hodinových ručičiek, aby ste naklonili plový list doprava.

Fig.49

Opatrne vyrovnajte bočnú stranu pílového listu do praveho uhla k vrchnému povrchu rotačnej základne pomocou trojuholníkového meradla, uhlomera atď. otočením šesťhrannej skrutky na pravej strane ramena v smere hodinových ručičiek. Potom bezpečne utiahnite páku.

Fig.50

Uistite sa, že ukazovateľ na ramene ukazuje do 0° na škále skosenia na držiaku ramena. Ak ukazovateľ nesmeruje do 0°, uvoľnite skrutku, ktorá zaisťuje ukazovateľ, a nastavte ukazovateľ tak, že bude smerovať ku 0°.

(2) 45° uhol skosenia

Fig.51

Nastavte 45° uhol skosenia len po vykonaní nastavenia 0° uhla skosenia. Ak chcete nastaviť 45° uhol skosenia, uvoľnite páčku a nakloňte pílový list úplne doľava. Uistite sa, že ukazovateľ na ramene ukazuje do 45° na škále skosenia na držiaku ramena. Ak ukazovateľ neukazuje na 45°, otočte nastavovaciu skrutku s uhlom skosenia 45° na pravej strane ramena, až kým ukazovateľ nebude ukazovať na 45°.

Na nastavenie praveho uhla skosenia 45° vykonajte rovnaké kroky ako boli uvedené vyššie.

Fig.52

Pravidelne odstraňujte a kontrolujte uhlíkové kefky. Keď sú zodraté na dĺžku 3 mm, vymeňte ich. Uhlíkové kefky udržiavajte čisté a mali byť voľne sklzávať do držiakov. Obe uhlíkové kefky sa musia vymieňať naraz. Používajte len rovnaké uhlíkové kefky.

Fig.53

Pomocou šraubovák odskrutkujte veká uhlíkov. Vyjmite opotrebované uhlíky, vložte nové a zaskrutkujte veká naspäť.

### Po použití

- Po použití zotríte piliny a prach, ktoré sa prilepili na nástroj, pomocou handričky alebo čohosi podobného. Udržujte chránič čepele čistý podľa pokynov v predchádzajúcej časti „Chránič čepele“. Namažte posuvné časti strojovým olejom, aby ste predišli hrdzaveniu.
- Pri skladovaní nástroja potiahnite rám úplne k sebe. Kvôli zachovaniu BEZPEČNOSTI a SPOLAHLIVOSTI výrobkov musia byť opravy a akákoľvek ďalšia údržba či nastavovanie robené autorizovanými servisnými strediskami firmy Makita a s použitím náhradných dielov Makita.

## VOLITEL'NÉ PRÍSLUŠENSTVO

### VAROVANIE:

- Toto príslušenstvo a doplnky značky Makita sa odporúčajú pre použitie v spojení s náradím značky Makita uvádzaným v tomto návode na obsluhu.** Použitie iného príslušenstva a doplnkov môže mať za následok vážne osobné poranenia.
- Príslušenstvo a doplnky značky Makita používajte jedine na uvedený účel.** Nesprávne používanie príslušenstva alebo doplnkov môže mať za následok vážne osobné poranenia.

Ak potrebujete bližšie informácie týkajúce sa tohoto príslušenstva, obráťte sa na vaše miestne servisné stredisko firmy Makita.

- Oceľové čepele pil s karbidovým koncom

Čepele pre pokosovú pilu	Pre hladké a presné rezanie v rôznych materiáloch.
Kombinácia	Ostrie na všeobecné účely pre rýchle a hladké strihvanie, prerezávanie a zrezávanie.
Križový rez	Pre hladšie križové rezy naprieč vlákien. Reže tenké plátky smerom naprieč vlákien.
Jemné prerezávanie	Pre bezpečné rezy čisto proti smeru.
Čeluste pre pokosovú pilu pre neželezné materiály	V prípade pokosov v hliníku, medi, mosadzi, potrubiach a ďalších neželezných materiáloch.

006526

- Podružné ochranné zariadenie R
- Súprava zveráka (horizontálny zverák)
- Vertikálny zverák
- Zakladací kľúč s francúzskym kľúčom na šesťhrannej skrutky na druhom konci
- Držiak
- Vrecko na prach
- Kĺb
- Trojuholníkové pravítko

### POZNÁMKA:

- Niektoré položky zo zoznamu môžu byť súčasťou balenia náradia vo forme štandardného príslušenstva. Rozsah týchto položiek môže byť v každej krajine odlišný.

## ČESKÝ (originální návod k obsluze)

### Legenda všeobecného vyobrazení

1-1. Čep zarážky	21-2. Držák klíče	34-2. Matice svěráku
2-1. Šrouby	22-1. Čep zarážky	34-3. Knoflík svěráku
3-1. Kryt kotouče	23-1. Nástrčný klíč	36-1. Držák
4-1. Kryt kotouče	23-2. Pouzdro kotouče	38-1. Vypouklá lišta typu 52/38 °
5-1. Šroub	23-3. Středový kryt	38-2. Vypouklá lišta typu 45 °
5-2. Deska se spárou	23-4. Šroub s šestihrannou hlavou	38-3. Vydutá lišta typu 45 °
6-1. Pilový list	23-5. Kryt kotouče	39-1. Vnitřní kout
6-2. Zuby kotouče	24-1. Pouzdro kotouče	39-2. Vnější roh
6-3. Deska se spárou	24-2. Nástrčný klíč	40-1. Vodicí pravítko
6-4. Levý šikmý řez	24-3. Šroub s šestihrannou hlavou	40-2. Svěrák
6-5. Přímý řez	24-4. Šipka	40-3. Distanční blok
6-6. Pravý šikmý řez	24-5. Zámek hřídele	40-4. Hliníkový výlisek
7-1. Nastavovací šroub	25-1. Pouzdro kotouče	40-5. Distanční blok
7-2. Otočný stůl	25-2. Šipka	41-1. Hliníkový výlisek
8-1. Horní povrch otočného stolu	25-3. Šipka	41-2. Vodicí pravítko
8-2. Obvod kotouče	25-4. Pilový list	41-3. Distanční blok
8-3. Vodicí pravítko	26-1. Šroub s šestihrannou hlavou (levotočivý)	41-4. Vodorovný svěrák (volitelné příslušenství)
9-1. Rameno zarážky	26-2. Vnější příruba	42-1. Drážky vyřezané kotoučem
9-2. Stavěcí šroub	26-3. Pilový list	44-1. Šroub s šestihrannou hlavou
10-1. Stupnice pokosu	26-4. Prstenec	44-2. Vodicí pravítko
10-2. Ukazatel	26-5. Vnitřní příruba	44-3. Rukojeť
10-3. Blokovací páčka	26-6. Vřeten	45-1. Vodicí pravítko
10-4. Rukojeť	27-1. Nástrčný klíč	45-2. Trojúhelníkové pravítko
11-1. Páčka	27-2. Pouzdro kotouče	46-1. Šroub
12-1. Páčka	27-3. Středový kryt	46-2. Ukazatel
12-2. Rameno	27-4. Šroub s šestihrannou hlavou	46-3. Stupnice pokosu
12-3. Ukazatel	27-5. Kryt kotouče	47-1. Páčka
12-4. Stupnice úkosu	28-1. Prachová hubice	47-2. Rameno
13-1. Páčka	28-2. Vak na prach	48-1. Stavěcí šroub 0 °
14-1. Ukazatel	28-3. Upevňovací prvek	48-2. Stavěcí šroub pro levý šikmý řez 45 °
14-2. Tlačítko uvolnění	29-1. Podpěra	49-1. Trojúhelníkové pravítko
14-3. Stupnice úkosu	29-2. Otočný stůl	49-2. Pilový list
15-1. Pojistný šroub	30-1. Posuvné pravítko	49-3. Horní povrch otočného stolu
16-1. Odjišťovací tlačítko	30-2. Upínací šroub	50-1. Šroub
16-2. Spoušť	31-1. Posuvné pravítko	50-2. Ukazatel
16-3. Páčka	32-1. Pomocné vodítko R	50-3. Stupnice úkosu
16-4. Otvor pro zámek	32-2. Šrouby	51-1. Stavěcí šroub pro pravý šikmý řez 45 °
17-1. Odjišťovací tlačítko	33-1. Rameno svěráku	51-2. Stavěcí šroub pro levý šikmý řez 45 °
17-2. Spoušť	33-2. Knoflík svěráku	53-1. Šroubovák
17-3. Otvor pro zámek	33-3. Tyč svěráku	53-2. Víčko držáku uhlíku
18-1. Spínač laseru	33-4. Šroub	
20-1. Baterie	33-5. Vodicí pravítko	
21-1. Nástrčný klíč s imbusovým klíčem na druhém konci	34-1. Deska svěráku	

# TECHNICKÉ ÚDAJE

Model	LS1018 / LS1018L
Průměr listu	255 mm - 260 mm
Tloušťka kotouče	1,6 mm - 2,4 mm
Průměr otvoru	
Pro všechny země mimo Evropu	25,4 mm
Pro země Evropy	30 mm
Max. kapacita řezu (V x Š) při průměru kotouče 260 mm	

Úhel pokosu	Úhel úkosu		
	45° (vlevo)	0°	45° (vpravo)
0°	50 mm x 310 mm	91 mm x 310 mm	31 mm x 310 mm
45°	50 mm x 220 mm	91 mm x 220 mm	31 mm x 220 mm
60° (vpravo)	-	91 mm x 153 mm	-

Otáčky naprázdno (min <sup>-1</sup> )	4 300
Typ laseru (pouze u LS1018L)	Červený laser 650 nm, < 1 mW (třída laseru 2)
Rozměry (D x Š x V)	825 mm x 536 mm x 633 mm
Hmotnost netto	Pro všechny země mimo Evropu.....19,8 kg Pro země Evropy.....19,9 kg
Třída bezpečnosti	II

- Vzhledem k neustálému výzkumu a vývoji zde uvedené technické údaje podléhají změnám bez upozornění.
- Technické údaje se mohou pro různé země lišit.
- Hmotnost podle EPTA – Procedure 01/2003

END222-1



## Symbole

Níže jsou uvedeny symboly, se kterými se můžete při použití nástroje setkat. Je důležité, abyste dříve, než s ním začnete pracovat, pochopili jejich význam.



- Přečtěte si návod k obsluze.



- DVOJITÁ IZOLACE



- V rámci předcházení zraněním odletujícími třískami přidržete po dokončení řezu hlavu pily dole, dokud se kotouč úplně nezastaví.



- Při posuvném řezání nejdříve přitáhněte vozík úplně k sobě, stiskněte dolů držadlo a poté vozík tlačte směrem k vzdálenou pravítku.



- Neumísťujte ruce ani prsty do blízkosti kotouče.
- Posuvná pravítka nastavte do správné vzdálenosti mimo dosah kotouče a krytu kotouče.



- Při provádění pravých šikmých řezů vždy demontujte POMOCNÉ VODÍTKO R. V opačném případě může dojít k vážnému zranění pracovníka.



- Nikdy se nedívejte do laserového paprsku. Přímé vystavení laseru může způsobit poranění očí.

- Pouze pro země EU  
Nevyhazujte elektrická zařízení spolu s domovním odpadem!

Podle Nařízení Evropské rady 2002/96/EC o likvidaci elektrických a elektronických zařízení a jejího provádění v souladu s národními zákony, elektrická zařízení musí být poté, co doslouží, shromažďována samostatně a vrácena k ekologické recyklaci.

ENE006-1

## Určení nástroje

Nástroj je určen k přesnému přímému a pokosovému řezání dřeva. Při použití vhodných pilových kotoučů lze řezat také hliník.

ENF002-2

## Napájení

Zařízení je třeba připojit pouze k napájení se stejným napětím, jaké je uvedeno na výrobním štítku a může být provozováno pouze v jednofázovém napájecím okruhu se střídavým napětím. Nářadí je vybaveno dvojitou izolací a může být tedy připojeno i k zásuvkám bez zemnicího vodiče.

ENG905-1

## Hlučnost

Typická vážená hladina hluku (A) určená podle normy EN61029:

Hladina akustického tlaku (L<sub>PA</sub>): 97 dB(A)  
Hladina akustického výkonu (L<sub>WA</sub>): 103 dB(A)  
Nejistota (K): 3 dB(A)

**Používejte ochranu sluchu**

**Vibrace**

Celková hodnota vibrací (vektorový součet tří os) určená podle normy EN61029:

Emise vibrací ( $a_h$ ): 2,5 m/s<sup>2</sup> nebo méně

Nejistota (K): 1,5 m/s<sup>2</sup>

ENG901-1

- Deklarovaná hodnota emisí vibrací byla změněna v souladu se standardní testovací metodou a může být využita ke srovnávání nářadí mezi sebou.
- Deklarovanou hodnotu emisí vibrací lze rovněž využít k předběžnému posouzení vystavení jejich vlivu.

**VAROVÁNÍ:**

- Emise vibrací během skutečného používání elektrického nářadí se mohou od deklarované hodnoty emisí vibrací lišit v závislosti na způsobu použití nářadí.
- Na základě odhadu vystavení účinkům vibrací v aktuálních podmínkách zajistěte bezpečnostní opatření k ochraně obsluhy (vezměte v úvahu všechny části pracovního cyklu, mezi něž patří kromě doby pracovního nasazení i doba, kdy je nářadí vypnuto nebo pracuje ve volnoběhu).

ENH003-13

**Pouze pro země Evropy****Prohlášení ES o shodě**

**Společnost Makita Corporation jako odpovědný výrobce prohlašuje, že následující zařízení Makita:**

Popis zařízení:

Radiální pokosová pila

č. modelu/typ: LS1018, LS1018L

vychází ze sériové výroby

**a vyhovuje následujícím evropským směrnicím:**

2006/42/EC

Zařízení bylo rovněž vyrobeno v souladu s následujícími normami či normativními dokumenty:

EN61029

Technická dokumentace je k dispozici u našeho autorizovaného zástupce v Evropě:

Makita International Europe Ltd.

Michigan Drive, Tongwell,

Milton Keynes, Bucks MK15 8JD, England

6.11.2009



Tomoyasu Kato

Ředitel

Makita Corporation

3-11-8, Sumiyoshi-cho,

Anjo, Aichi, 446-8502, JAPAN

000230

## Obecná bezpečnostní upozornění k elektrickému nářadí

**⚠ UPOZORNĚNÍ** Přečtěte si všechna bezpečnostní upozornění a pokyny. Při nedodržení upozornění a pokynů může dojít k úrazu elektrickým proudem, požáru nebo vážnému zranění.

**Všechna upozornění a pokyny si uschovejte pro budoucí potřebu.**

ENB034-6

## DOPLŇKOVÁ BEZPEČNOSTNÍ PRAVIDLA PRO NÁSTROJ

1. **Noste ochranu zraku.**
2. **Udržujte ruce mimo dráhu pilového kotouče. Vyvarujte se kontaktu s dobíhajícími kotoučem. Mohl by způsobit vážné poranění.**
3. **Neprovozuje pilu bez krytů. Před každým použitím zkontrolujte řádné uzavření krytu kotouče. Neprovozuje pilu, pokud se kryt kotouče nepohybuje volně a okamžitě se neuzavře. Nikdy neupínejte ani neuchycujte kryt kotouče v otevřené poloze.**
4. **Neprovádějte žádnou operaci ručním přidržováním.** Při veškerých pracích je díl nutno pevně uchytit na otočném stole a vodicím pravitku pomocí svěráku. Nikdy díl nedržte na místě rukou.
5. **Nikdy nesahejte přes pilový kotouč.**
6. **Před přesunováním dílu nebo změnou nastavení nástroj vypněte a počkejte, dokud se nezastaví pilový kotouč.**
7. **Před výměnou kotouče nebo prováděním servisu nástroj odpojte od zdroje napájení.**
8. **Před přenášením nástroje vždy zajistěte všechny pohyblivé díly.**
9. **Zarážkový čep, který uzamyká řezací hlavu, slouží pouze pro účely přenášení a skladování. Není určen pro žádné činnosti spojené s řezáním.**
10. **Nářadí nepoužívejte v prostředí s hořlavými kapalinami či plyny.** Elektrická činnost nářadí může při kontaktu s hořlavými kapalinami či a plyny způsobit výbuch nebo požár.
11. **Před provozem pečlivě zkontrolujte, zda kotouč nevykazuje trhliny nebo poškození. Popraskaný nebo poškozený kotouč okamžitě vyměňte.**
12. **Používejte pouze příruby určené pro tento nástroj.**
13. **Dávejte pozor, abyste nepoškodili vřeteno, příruby (zejména instalační povrch) nebo šroub. Poškození těchto dílů může vést k roztržení kotouče.**
14. **Přesvědčte se, zda je otočný stůl řádně zajištěn, aby se během provozu nemohl pohybovat.**

15. K zajištění vlastní bezpečnosti odstraňte před zahájením provozu z povrchu stolu třísky, drobný materiál, apod.
  16. Neřežte hřebíky. Před zahájením provozu zkontrolujte a odstraňte z dílu všechny případné hřebíky.
  17. Dbejte, aby byl před aktivací spínače uvolněn zámek hřídele.
  18. Ujistěte se, že se kotouč nedotýká otočného stolu v nejnižší poloze.
  19. Uchopte pevně držadlo. Nezapomeňte, že se pila během spouštění a zastavování posunuje mírně nahoru nebo dolů.
  20. Před aktivací spínače se přesvědčte, že se kotouč nedotýká dílu.
  21. Před použitím nástroje na skutečném dílu jej nechejte na chvíli běžet. Sledujte, zda nevznikají vibrace nebo viklání, které by mohly signalizovat špatně nainstalovaný nebo nedostatečně vyvážený kotouč.
  22. Před řezáním počkejte, dokud kotouč nedosáhne plných otáček.
  23. Pokud si během provozu povšimnete čehokoliv neobvyklého, přerušete okamžitě práci.
  24. Nepokoušejte se zablokovat spoušť v aktivní poloze.
  25. Buďte vždy ostražití, zvláště při opakovaných a monotónních pracích. Nenechte se ukolébat falešným pocitem bezpečí. Ostří nářadí neodpouští žádné chyby.
  26. Vždy používejte příslušenství doporučené v této příručce. Použití nesprávného příslušenství, jako jsou například brusné kotouče, může způsobit poranění.
  27. Nepoužívejte pilu k řezání jiných materiálů, než je dřevo, hliník a podobné materiály.
  28. Při řezání připojte pokosovou pilu k zařízení na odsávání prachu.
  29. Pilové kotouče volte podle řezaného materiálu.
  30. Při řezání drážek postupujte s opatrností.
  31. Drážkovací desku vyměňte, jakmile je opotřebená.
  32. Nepoužívejte pilové kotouče vyrobené z rychlořezné oceli.
  33. Některých prach vzniklý při provozu obsahuje chemikálie, o kterých je známo, že způsobují rakovinu, vrozené vady nebo jiná ohrožení reprodukčního systému. Takovými chemikáliemi jsou například:
    - olovo z materiálu opatřeného nátěrem na bázi olova a
    - arsen a chrom z chemicky ošetřeného řeziva.
 Riziko spojené s vystavením těmto materiálům se liší podle toho, jak často tento typ práce provádíte. Chcete-li omezit expozici těmto materiálům: pracujte na
- dobře větraném místě a používejte schválené bezpečnostní vybavení, jako jsou například protiprachové masky speciálně určené k odfiltrování mikroskopických částic.
34. Pracujte vždy s ostrým a čistým kotoučem. Omezte tak hladinu vznikajícího hluku.
  35. Obsluha musí být odpovídajícím způsobem vyškolená v používání, seřizování a provozování stroje.
  36. Používejte správně naostřené pilové kotouče. Dodržujte maximální otáčky vyznačené na pilovém kotouči.
  37. Vyvarujte se odstraňování jakýchkoliv odřezků nebo jiných částí dílu z oblasti řezání během provozu nástroje, kdy se hlava pily nenachází v klidové poloze.
  38. Používejte pouze pilové kotouče doporučené výrobcem, jež vyhovují normě EN847-1.
  39. Při manipulaci s pilovým kotoučem a surovým materiálem používejte rukavice (pilové kotouče je třeba přenášet pokud možno v držáku).
  40. Pokud je zařízení vybaveno laserem, není dovoleno zaměřovat jej za jiný typ laseru. Opravy je třeba provádět pouze správným způsobem.

## TYTO POKYNY USCHOVEJTE.

## INSTALACE

### Montáž stolu

#### Fig.1

Při dodávce nářadí je držadlo zablokováno ve spuštěné poloze zarážkovým čepem. Zarážkový čep uvolníte lehkým tlakem na držadlo směrem dolů a současným taháním za zarážkový čep.

#### Fig.2

Tento nástroj je třeba upevnit čtyřmi šrouby k rovnému a stabilnímu povrchu pomocí otvorů pro šrouby, které jsou k dispozici v základně nástroje. Zabráníte tak převržení nástroje a možnému zranění.

## POPIS FUNKCE

### ⚠VAROVÁNÍ:

- Před nastavováním či kontrolou funkce se vždy ujistěte, zda je nářadí vypnuté a odpojené ze zásuvky. Zanedbání vypnutí a odpojení nářadí může vést k vážným zraněním způsobeným náhodným spuštěním.

## Kryt kotouče

### Fig.3

Při spuštění držadla se automaticky zvedá kryt kotouče. Kryt kotouče se po dokončení řezu a zvednutí držadla vrací do původní polohy.

### ⚠VAROVÁNÍ:

- Nikdy neomezujte funkci krytu kotouče a kryt ani pružinu, která jej přidržuje, nikdy neodnímejte. Nechráněný kotouč může při potlačení funkce krytu během provozu způsobit vážné zranění.

V zájmu své vlastní bezpečnosti udržujte kryt kotouče vždy v dobrém stavu. Jakoukoli nesprávnou funkci krytu kotouče je nutné okamžitě napravit. Ujistěte se o správné funkci pružiny zajišťující vracení krytu.

### ⚠VAROVÁNÍ:

- **Nářadí nikdy nepoužívejte, pokud je poškozený, vadný či sejmutý kryt kotouče nebo pružina.** Práce s nářadím s poškozeným, vadným či sejmutým krytem může způsobit vážné zranění.

Dojde-li ke znečištění průhledného krytu kotouče nebo jestliže k němu přilnou piliny tak, že již není vidět kotouč či obrobek, odpojte pilu ze zásuvky a kryt důkladně vyčistěte navlhčenou tkaninou. Na plastový kryt neaplikujte žádná rozpouštědla ani čističe na bázi ropných produktů, neboť by jej mohly poškodit.

Jestliže se kryt kotouče znečistí a bude třeba jej k zajištění správné funkčnosti vyčistit, postupujte podle níže uvedených kroků:

Zařízení vypněte, odpojte ze zásuvky a dodaným nástrčným klíčem povolte šroub se šestihlannou hlavou přidržující středový kryt. Otáčením vlevo povolte šroub se šestihlannou hlavou a nadzvedněte kryt kotouče a středový kryt.

### Fig.4

Takto přesunutý kryt kotouče umožní důkladnější a efektivnější vyčištění. Po vyčištění smontujte díly podle výše uvedeného postupu v opačném sledu kroků a dotáhněte šroub. Nedemontujte pružinu přidržující kryt kotouče. Při poškození krytu stárnutím či působením UV záření si objednejte nový v servisním středisku Makita. **NEOMEZUJTE FUNKCI KRYTU A KRYT NEDEMONTUJTE.**

## Umístění desky ze spárou

### Fig.5

### Fig.6

Nástroj je vybaven deskami se spárou na otočném stole, která omezuje na minimum rozřepení na koncové straně řezu. Desky se spárou jsou u výrobce seřizeny tak, aby se pilový kotouč desek nedotýkal. Před použitím seřídte desky se spárou následovně:

Nejprve nářadí odpojte od zdroje napájení. Povolte všechny šrouby (po 3 na levé i na pravé straně) zajišťující desky se spárou. Šrouby dotáhněte pouze tak, aby bylo možno desky snadno posouvat rukou. Spusťte držadlo

úplně dolů a zatlačte zarážkový čep, aby se držadloablokovalo ve snížené poloze. Povolte šroub zajišťující kluzné tyče. Přitáhněte vozík zcela k sobě. Nastavte desky se spárou tak, aby se dotýkaly stran zubů kotouče. Přitáhněte přední šrouby (neutahujte je pevně). Zatlačte vozík zcela vpřed směrem k vodicímu pravítku a nastavte desky se spárou tak, aby se dotýkaly stran zubů kotouče. Přitáhněte zadní šrouby (neutahujte je pevně).

Po seřizení desek se spárou uvolněte zarážkový čep a zvedněte držadlo. Potom pevně utáhněte všechny šrouby.

### POZNÁMKA:

- **Po nastavení úhlu úkosu se ujistěte, zda jsou správně seřizeny desky se spárou.** Správné seřizení desek napomůže zajistit náležitou oporu obrobku a minimalizuje jeho poškození.

## Zajištění maximální kapacity řezání

Nářadí je při výrobě seřizeno tak, aby poskytovalo maximální výkonnost při použití 255 mm pilového kotouče.

Před jakýmkoli seřizováním odpojte nářadí ze zásuvky. Při instalaci nového kotouče vždy zkontrolujte dolní koncovou polohu kotouče a v případě potřeby ji seřídte následujícím způsobem:

### Fig.7

### Fig.8

Nejprve nářadí odpojte od zdroje napájení. Zatlačte vozík zcela vpřed směrem k vodicímu pravítku a spusťte držadlo úplně dolů. Imbusovým klíčem otáčejte stavěcím šroubem, dokud se obvod kotouče nevsune mírně pod horní plochu otočného stolu v místě, kde se čelní plocha vodicího pravítka setkává s horní plochou otočného stolu. Odpojte nástroj od zdroje napájení. Přidržte držadlo v poloze úplně dole, otáčejte rukou kotoučem a přesvědčte se, zda se kotouč nedotýká žádné části dolní základny. V případě potřeby proveďte mírné seřizení.

### ⚠VAROVÁNÍ:

- **Po instalaci nového kotouče odpojte nářadí ze zásuvky a vždy se ujistěte, zda není kotouč při úplném spuštění držadla v kontaktu s žádnou částí dolní základny.** Dostává-li se kotouč do kontaktu se základnou, může dojít ke zpětnému rázu a vážnému zranění.

## Rameno zarážky

### Fig.9

Polohu dolního limitu kotouče lze snadno upravovat pomocí ramena zarážky. Chcete-li provést úpravu, přesuňte rameno zarážky ve směru šípky, jak je ilustrováno na obrázku. Seřídte stavěcí šroub tak, aby se při úplném spuštění držadla dolů kotouč zastavil na požadovaném místě.

## Nastavení úhlu pokosu

### Fig.10

Otáčením proti směru hodinových ručiček povolte rukojeť. Stiskněte blokovací páčku a otáčejte otočným

stolem. Jakmile se rukojeť nachází v poloze, kde je ukazatel zaměřen na požadovaný úhel na stupnici pokosu, pevně zajistěte rukojeť ve směru hodinových ručiček.

#### **⚠ POZOR:**

- Po změně úhlu pokosu vždy otočný stůl zajistěte pevným utažením rukojeti.

#### **POZNÁMKA:**

- Při otáčení otočného stolu je nutno úplně zvednout rukojeť.

### **Nastavení úhlu úkosu**

#### **Fig.11**

Chcete-li upravit úhel úkosu, otočte páčku na zadní straně nástroje proti směru hodinových ručiček. Odblokujte rameno poněkud silnějším stisknutím držadla ve směru, ve kterém chcete sklopit pilový kotouč.

#### **POZNÁMKA:**

- Po uvolnění šroubu, jenž páčku přidržuje a zajišťuje ve požadovaném úhlu lze páčku nastavit do různých úhlů.

#### **Fig.12**

Sklopěte pilový kotouč, dokud nebude ukazatel nastaven na požadovaný úhel na stupnici úkosu. Poté rameno zajistěte přesunutím páčky ve směru hodinových ručiček.

#### **Fig.13**

Při naklánění vozíku doprava povolte páčku, stiskněte uvolňovací tlačítko a naklopte vozíkem mírně doleva. Podržte stisknuté uvolňovací tlačítko a naklopte vozík doprava.

#### **Fig.14**

Sklopěte pilový kotouč, dokud nebude ukazatel nastaven na požadovaný úhel na stupnici úkosu. Poté rameno zajistěte přesunutím páčky ve směru hodinových ručiček.

- Při úpravě úhlů úkosu nezapomeňte řádně umístit desky se spárou, jak je vysvětleno v odstavci „Umístění desek se spárou“.

#### **⚠ POZOR:**

- Po úpravě úhlu úkosu rameno vždy zajistěte otočením páčky ve směru hodinových ručiček.

#### **POZNÁMKA:**

- Při naklánění pilového kotouče se ujistěte, zda je držadlo zcela zvednuté.
- Při úpravě úhlů úkosu nezapomeňte řádně umístit desky se spárou, jak je vysvětleno v odstavci „Umístění desek se spárou“.

### **Nastavení blokování posouvání**

#### **Fig.15**

Zablokování kluzné tyče provedete otočením pojistného šroubu doprava.

### **Zapínání**

#### **Pro země Evropy**

#### **Fig.16**

Jako prevence náhodného stisknutí spouště je k dispozici odjišťovací tlačítko. Chcete-li nástroj uvést do chodu, přesuňte páčku doleva, zamáčkněte odjišťovací tlačítko a poté stiskněte spoušť. Chcete-li nástroj vypnout, uvolněte spoušť.

#### **⚠ VAROVÁNÍ:**

- **Před připojením zařízení do zásuvky vždy zkontrolujte, zda správně funguje spoušť a zda se po uvolnění vrací do vypnuté polohy. Nemažte spoušť silou bez stisknutí odjišťovacího tlačítka. Mohlo by dojít k poškození spínače.** Práce s nářadím bez správně fungujícího spínače může vést ke ztrátě kontroly a vážnému zranění.

Ve spoušti je připraven otvor k nasazení visacího zámku a uzamčení nářadí.

#### **Pro všechny země mimo Evropu**

#### **Fig.17**

Jako prevence náhodného stisknutí spouště je k dispozici odjišťovací tlačítko. Chcete-li nástroj uvést do chodu, zamáčkněte odjišťovací tlačítko a stiskněte spoušť. Chcete-li nástroj vypnout, uvolněte spoušť.

#### **⚠ VAROVÁNÍ:**

- **Před připojením zařízení do zásuvky vždy zkontrolujte, zda správně funguje spoušť a zda se po uvolnění vrací do vypnuté polohy. Nemažte spoušť silou bez stisknutí odjišťovacího tlačítka. Mohlo by dojít k poškození spínače.** Práce s nářadím bez správně fungujícího spínače může vést ke ztrátě kontroly a vážnému zranění.

Ve spoušti je připraven otvor k nasazení visacího zámku a uzamčení nářadí.

#### **⚠ VAROVÁNÍ:**

- **Nepoužívejte zámek s okem či lankem o průměru menším než 6,35 mm.** Menší oko či lanko nemusí nářadí správně zajistit ve vypnutém stavu a neúmyslné zapnutí může vést k vážnému zranění.
- **NIKDY nepoužívejte nářadí bez zcela funkční spouště.** Jakékoli nářadí s nefunkčním spínačem je VELMI NEBEZPEČNÉ a před dalším použitím musí být opraveno - jinak může dojít k vážnému zranění.
- K zajištění bezpečnosti je nářadí vybaveno odjišťovacím tlačítkem zamezujícím nechtěnému spuštění. NIKDY nepoužívejte nářadí, jež lze spustit pouhým stisknutím spouště bez použití odjišťovacího tlačítka. Spínač vyžadující opravu může způsobit neúmyslné zapnutí a vážné zranění. V takovém případě nářadí PŘED dalším použitím



předejte servisnímu středisku Makita k opravě.

- NIKDY neblokujte funkci odjišťovacího tlačítka zalepením páskou ani jinými způsoby. Spínač se zablokovaným odjišťovacím tlačítkem může být příčinou neúmyslného zapnutí a vážného zranění.

## Elektronická funkce

### Funkce měkkého spuštění

- Tato funkce umožňuje plynulé spuštění nářadí omezením počátečního točivého momentu.

### Použití laseru

Pouze model LS1018L

#### POZNÁMKA:

- Před prvním použitím vložte do příslušného prostoru dvě baterie typu AA. Pokyny k instalaci naleznete v části „Výměna baterií laserové jednotky“.

#### ⚠POZOR:

- Není-li laser využíván, zajistěte jeho vypnutí

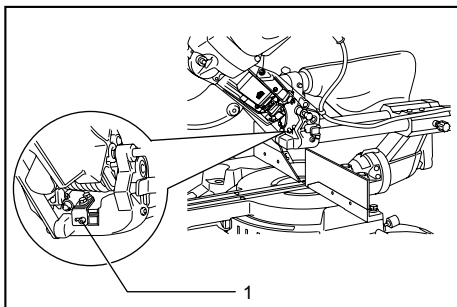
#### Fig.18

#### ⚠POZOR:

- Nikdy se nedívejte do laserového paprsku. Přímé vystavení laseru může způsobit poranění očí.
- VYZAŘOVÁNÍ LASEROVÉHO SVĚTLA. NEDÍVEJTE SE DO PAPRSKU. LASEROVÝ PRODKT 2. TŘÍDY.
- Před přepnutím laserové rysky či prováděním seřizení v rámci údržby se ujistěte, zda jste nářadí odpojili od zdroje energie.

Laserový paprsek se zapíná stisknutím horní části (1) spínače. Chcete-li laserový paprsek vypnout, stiskněte dolní část (0) spínače.

Laserovou rysku lze přepnout na levou či pravou stranu pilového kotouče povolením šroubu přidržujícího skříň laserové jednotky a jeho přesunutím do požadovaného směru. Po přepnutí zabezpečte dotažení šroubu.



1. Šroub přidržující skříň laserové jednotky

010473

Laserová ryska je seřizena u výrobce tak, aby se nacházela do 1 mm od boku pilového kotouče (řezná poloha).

#### POZNÁMKA:

- Jestliže je laserová linie tlumená a na přímém slunci těžko viditelná, přemístěte pracoviště na místo s nižší intenzitou přímého slunečního záření.

## Výměna baterií laserové jednotky

### Fig.19

### Fig.20

Stisknutím a současným vysunutím sejměte víčko baterií laserové jednotky. Vyjměte vybité baterie a vložte nové tak, jak je znázorněno na obrázku. Po výměně nasadte zpět kryt baterií.

### Čištění čočky laseru

V případě znečištění čočky laseru nebo pokud k ní přilnuly piliny tak, že již dále není snadno vidět laserovou rysku, odpojte pilu od zdroje napájení a pečlivě čočku laseru vyčistěte měkkou navlhčenou tkaninou. Při čištění čočky laseru nepoužívejte rozpouštědla ani ropné čisticí prostředky.

#### POZNÁMKA:

- Je-li laserová ryska matná nebo téměř neviditelná z důvodu přímého slunečního světla pronikajícího vnějším nebo vnitřním oknem, přemístěte nástroj na místo, kde nebude vystaven přímému slunečnímu světlu.

## MONTÁŽ

#### ⚠VAROVÁNÍ:

- **Než začnete na nářadí pracovat, vždy se ujistěte, zda je vypnuté a odpojené ze zásuvky.** Zanedbání vypnutí a odpojení může vést k vážným zraněním.

### Uložení nástrčného klíče s imbusovým klíčem na druhém konci

#### Fig.21

The socket wrench is stored as shown in the figure. Budete-li nástrčný klíč potřebovat, vytlačte jej z držáku. Po použití klíč můžete uložit zpátky do příslušného držáku.

### Instalace a demontáž pilového kotouče

#### ⚠VAROVÁNÍ:

- Před nasazováním či snímáním kotouče se vždy ujistěte, zda je nářadí vypnuté a odpojené ze zásuvky. Náhodné spuštění nářadí může způsobit vážné zranění.
- K nasazení či sejmutí kotouče používejte pouze dodaný nástrčný klíč Makita. Jestliže klíč nepoužijete, můžete šestihřanný šroub utáhnout příliš, anebo nedostatečně, což může vést ke zranění.

**Fig.22**

Zablokujte držadlo ve zvednuté poloze zatlačením zarážkového čepu.

**Fig.23**

Chcete-li demontovat kotouč, uvolněte pomocí nástrčného klíče proti směru hodinových ručiček šroub s šestihrannou hlavou přidržující středový kryt. Zvedněte kryt kotouče a středový kryt.

**Fig.24**

Zablokujte vřeteno stisknutím zámku hřídele a pomocí nástrčného klíče povolte ve směru hodinových ručiček šroub s šestihrannou hlavou. Následně demontujte šroub s šestihrannou hlavou, vnější přírubu a kotouč.

#### **POZNÁMKA:**

- Sejmete-li vnitřní přírubu, namontujte ji na vřeteno s výstupkem směrem od kotouče. Nesprávně namontovaná přírubu se bude otírat o zařízení.

#### **VAROVÁNÍ:**

- **Před nasazením kotouče na vřeteno se vždy ujistěte, zda je na vřetenu mezi vnitřní a vnější přírubou umístěn správný kroužek odpovídající otvoru v kotouči, který se chystáte použít.** Použití kroužku s nesprávným otvorem může vést k nesprávnému uchycení kotouče, jeho pohybu a silným vibracím s následnou možností ztráty kontroly za provozu, jež může způsobit vážné zranění.

**Fig.25**

Při montáži kotouče jej opatrně nasuňte na vřeteno a dbejte, aby směr šipky na povrchu kotouče odpovídal směru šipky na krytu kotouče.

Nainstalujte vnější přírubu a šroub s šestihrannou hlavou. Stiskněte a přidržte zámek hřídele a poté pomocí nástrčného klíče dotáhněte proti směru hodinových ručiček šroub s šestihrannou hlavou (levotočivý).

**Pro všechny země mimo Evropu**

**Fig.26**

#### **VAROVÁNÍ:**

- Při výrobě byl nasazen černý kroužek s největším průměrem 25 mm a stříbrný kroužek o průměru 25,4 mm tak, jak je znázorněno na obrázku. Při použití kotouče s vnitřním průměrem 25 mm nahradte stříbrný kroužek černým. **Před nasazením kotouče na vřeteno se vždy ujistěte, zda je na vřetenu mezi vnitřní a vnější přírubou umístěn správný kroužek odpovídající otvoru v kotouči, který se chystáte použít.** Použití kroužku s nesprávným otvorem může vést k chybnému uchycení kotouče, jeho pohybu a silným vibracím s následnou možností ztráty kontroly za provozu, jež může způsobit vážné zranění.

## **Pro země Evropy**

#### **POZOR:**

- Mezi vnitřní a vnější přírubu je u výrobce instalován kroužek o největším průměru 30 mm.

Nainstalujte vnější přírubu a šroub s šestihrannou hlavou. Stiskněte a přidržte zámek hřídele a poté pomocí nástrčného klíče dotáhněte proti směru hodinových ručiček šroub s šestihrannou hlavou.

**Fig.27**

Vraťte kryt kotouče a středový kryt do původní polohy. Potom středový kryt zajistěte dotažením šroubu s šestihrannou hlavou směrem vpravo. Vytažením zarážkového čepu uvolněte držadlo ze zvednuté polohy. Spusťte držadlo dolů a ujistěte se, zda se kryt kotouče správně pohybuje. Před řezáním se ujistěte, zda aretační tlačítko hřídele uvolnilo vřeteno.

## **Vak na prach (příslušenství)**

**Fig.28**

Vak na piliny umožňuje čistší řezání a snazší shromáždění piliny. Vak na piliny se umísťuje na příslušnou hubici.

Je-li vak na prach přibližně z poloviny plný, odstraňte jej z nástroje a vysuňte ven upevňovací prvek. Vysypte vak. Současně na vak jemně klepejte, aby došlo k odstranění materiálu přilnulého na jeho bocích, který by mohl narušovat další provoz odsávání.

#### **POZNÁMKA:**

Připojíte-li k pile vysavač, můžete pracovat čistěji.

## **Zajištění dílu**

#### **VAROVÁNÍ:**

- **Je mimořádně důležité obrobek vždy správně zajistit odpovídajícím typem svěráku nebo zarážkami pro vypouklé lišty.** V opačném případě může dojít k vážnému zranění a poškození nářadí či obrobku.
- **Po dokončení řezu nezvedejte kotouč, dokud se zcela nezastaví.** Zvednutí dobíhajícího kotouče může mít za následek vážné zranění a poškození obrobku.
- **Při řezání obrobku s délkou přesahující rozměry podpěrné základny pily je třeba materiál přesahující podpěrnou základnu po celé délce podepřít ve stejné výšce, aby byl umístěn v rovině.** Správná opora obrobku napomáhá zamezit sevření kotouče a možnému zpětnému rázu, jež může způsobit vážné zranění. Při upevňování obrobku se nespolehejte pouze na svislou či vodorovnou svěrku. Tenký materiál se často prohýbá. Obrobek podepřete po celé délce - zamezíte tím sevření kotouče a možnému ZPĚTNÉMU RÁZU.

**Fig.29**

## Nastavení vodícího pravítka (POSUVNÝCH PRAVÍTEK představující horní a dolní pravítka)

Fig.30

### ⚠VAROVÁNÍ:

- Před prací s nářadím se ujistěte, zda je pevně zajištěno posuvné pravítko.
- **Před úkosovým řezáním se ujistěte, zda se při úplném spuštění a zvednutí držadla či při posouvání vozíku do krajních poloh nedotýká horního a dolního pravítka v žádné poloze žádný díl zařízení, zvláště kotouč.** Jestliže dochází ke kontaktu zařízení či kotouče s pravítkem, může dojít ke zpětnému rázu nebo k neočekávanému pohybu materiálu a vážnému zranění.

Fig.31

### ⚠POZOR:

- Při provádění úkosových řezů přesuňte posuvné pravítko vlevo a zajistěte jej tak, jak je znázorněno na obrázku. V opačném případě se bude dotýkat kotouče nebo části nářadí a obsluha může utrpět vážné zranění.

Nářadí je vybaveno posuvným pravítkem, jež se zpravidla ustavuje tak, jak je znázorněno na obrázku.

Jestliže však při provádění levých úkosových řezů dochází ke kontaktu s hlavou nářadí, nastavte jej do polohy vlevo tak, jak je znázorněno na obrázku.

Po dokončení úkosových řezů nezapomeňte posuvné pravítko vrátit do původní polohy a zajistěte jej pevným dotažením upínacího šroubu.

## Pomocné vodítko R

### ⚠VAROVÁNÍ:

- Před prací s nářadím se ujistěte, zda je pevně zajištěno pomocné vodítko R.
- Před prováděním pravých úkosových řezů sejměte pomocné vodítko R. V opačném případě se bude dotýkat kotouče nebo části nářadí a obsluha může utrpět vážné zranění.

Fig.32

Pomocné vodítko R lze z pravé strany vodícího pravítka sejmout. Chcete-li pomocné vodítko R sejmout, povolte šroub zajišťující pomocné vodítko R a vytáhněte jej ven. Nasazení vodítka zpět provedete opačným postupem.

Po dokončení úkosových řezů nezapomeňte pomocné vodítko R vrátit do původní polohy a zajistěte jej pevným dotažením upínacího šroubu.

## Svislý svěrák

Fig.33

Svislou svěrku lze nainstalovat vlevo či vpravo od vodícího pravítka. Vložte tyč svěrky do otvoru ve vodícím pravítku a dotažením šroubu na zadní straně vodícího pravítka tyč svěrky zajistěte.

Umístěte rameno svěráku podle tloušťky a tvaru dílu a zajistěte jej dotažením šroubu. Pokud se šroub určený k uchycení ramena svěráku dotýká vodícího pravítka, nainstalujte šroub na opačné straně ramena svěráku. Přesvědčte se, že se při úplném spuštění držadla a posouvání vozíku dopředu a dozadu nedotýká svěráku žádný díl nástroje. Pokud se dílu dotýká jakýkoliv díl, upravte polohu svěráku.

Přitlačte díl k vodícímu pravítku a otočnému stolu. Umístěte díl do požadované polohy řezání a zajistěte jej pevně dotažením knoflíku svěráku.

### ⚠VAROVÁNÍ:

- **Během všech operací musí být obrobek pevně uchycen k otočnému stolu a vodícímu pravítku svěrkou.** Obrobek nesprávně zajištěný pravítkem se může při řezání posunout a způsobit možné poškození kotouče, odmrštění materiálu, ztrátu kontroly a vážné zranění.

## Vodorovný svěrák (volitelné příslušenství)

Fig.34

Vodorovnou svěrku lze nainstalovat ve dvou polohách - na levou či pravou stranu základny. Při provádění pokosových řezů v 10° či větším úhlu namontujte vodorovnou svěrku na protilehlou stranu vzhledem ke směru otáčení otočeného stolu.

### Fig.35

Sklopením matice svěrky vlevo vpravo uvolníte a umožníte její rychlé zasunutí a vysunutí. Jestliže chcete přichytit obrobek, zatlačte knoflík svěrky vpřed, až se deska svěrky dotkne dílu a poté sklopte matici svěráku vpravo. Potom obrobek zajistěte otáčením knoflíku svěrky vpravo.

Maximální šířka dílu, který lze uchytil pomocí vodorovné svěrky, je 215 mm.

Při instalaci vodorovného svěráku na pravou stranu základny použijte také pomocné vodítko R, pomocí kterého lze zajistit pevnější uchycení dílu. Při instalaci pomocného vodítka R postupujte podle popisu uvedeného v odstavci „Pomocné vodítko R“.

### ⚠VAROVÁNÍ:

- **Maticí svěrky vždy otáčejte vpravo, až obrobek správně zajistíte.** Při nesprávném zajištění obrobku se může materiál při řezání posunout a způsobit poškození kotouče, odmrštění materiálu, ztrátu kontroly a vážné zranění.
- Při řezání tenkých dílů, například podlahových lišt opřených o pravítko, vždy použijte vodorovnou svěrku.

## Držáky

Fig.36

Držáky lze nainstalovat na libovolné straně jako praktický prostředek k přidržení obrobku ve vodorovné poloze. Tyče držáků zasuněte zcela do otvorů v základně. Potom držáky pevně dotáhněte šrouby.

## ⚠VAROVÁNÍ:

- **Dlouhé obrobky vždy podepírejte, aby byly v rovině s horní plochou otočného stolu - zajistíte tak přesný řez a zamezíte nebezpečné ztrátě kontroly nad nářadím.** Správná opora obrobku napomáhá zamezit sevření kotouče a možnému zpětnému rázu, jenž může způsobit vážné zranění.

## PRÁCE

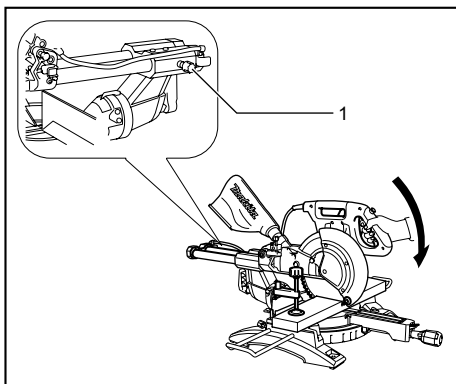
### POZNÁMKA:

- Před použitím nezapomeňte uvolnit držadlo ze spuštěné polohy vytažením zarážkového čepu.
- Při řezání nevyvíjejte na držadlo příliš velkou sílu. Příliš velký tlak může vést k přetížení motoru a/nebo snížení účinnosti řezání. Držadlo tlačte dolů pouze takovou silou, jaká je nutná pro hladké řezání bez podstatného snížení otáček pilového kotouče.
- Při řezání jemně tlačte držadlo dolů. Budete-li držadlo tlačit dolů silou nebo vyvinete postranní sílu, kotouč začne vibrovat a zanechá na díle stopu. Současně dojde ke snížení přesnosti řezu.
- Při posuvném řezání jemně tlačte vozík směrem k vodicímu pravitku bez zastavení. Bude-li během řezání přerušen pohyb vozíku, zůstane na dílu stopa a dojde k narušení přesnosti provedeného řezu.

## ⚠VAROVÁNÍ:

- **Před zapnutím spínače se ujistěte, zda kotouč není v kontaktu s obrobkem či jiným předmětem.** Zapnutí nářadí s kotoučem dotýkajícím se obrobku může způsobit zpětný ráz a vážné zranění.

### 1. Tlakové řezání (řezání malých dílů)



1. Pojistný šroub

011409

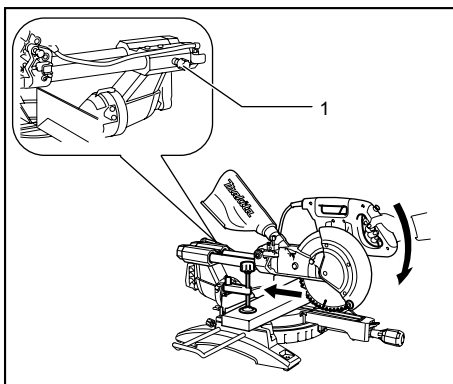
Obrobky o výšce do 91 mm a šířce 70 mm lze řezat následujícím způsobem.

Zatlačte vozík zcela směrem k vodicímu pravitku a utažením pojistného šroubu směrem doprava jej zajistěte. Obrobek správně zajistěte náležitým typem svěrky. Zapněte nářadí tak, aby se kotouč ničeho nedotýkal a před spuštěním dolů počkejte, až kotouč dosáhne plných otáček. Potom pomalu spusťte držadlo zcela dolů a proveďte řez. Po dokončení řezu nářadí vypněte a před přesunutím kotouče zcela nahoru **POČKEJTE, DOKUD SE KOTOUČ ÚPLNĚ NEZASTAVÍ.**

## ⚠VAROVÁNÍ:

- **Knoflík pevně dotáhněte směrem vpravo tak, aby se vozík při provozu nepohyboval.** Nedostatečně dotažení knoflíku může způsobit zpětný ráz s následným vážným zraněním.

### 2. Posuvné (tlačné) řezání (řezání širokých dílů)



### 1. Pojistný šroub

011410

Otáčením vlevo povolte pojistný šroub, aby se vozík volně pohyboval. Obrobek zajistěte správným typem svěrky. Přitáhněte vozík zcela k sobě. Zapněte nářadí tak, aby se kotouč ničeho nedotýkal, a počkejte, až kotouč dosáhne plných otáček. Stiskněte držadlo dolů a **PŘITLAČTE VOZÍK SMĚREM K VODICÍMU PRAVÍTKU PŘES ŘEZANÝ DÍL.** Po dokončení řezu nářadí vypněte a před přesunutím kotouče zcela nahoru **POČKEJTE, DOKUD SE KOTOUČ ÚPLNĚ NEZASTAVÍ.**

## ⚠VAROVÁNÍ:

- **Při každém provádění řezu s vozíkem nejprve přitáhněte vozík úplně k sobě, stlačte držadlo zcela dolů a pak vozík zatlačte k vodicímu pravitku. Nikdy nezačínajte řez s vozíkem nepřitaženým zcela k sobě.** Jestliže budete řezat s vozíkem, jenž není zcela přitažen směrem k vám, může dojít k neočekávanému zpětnému rázu a

vážnému zranění.

- **Nikdy se nepokoušejte řezat přitahováním vozíku k sobě.** Přitahování vozíku k sobě může během řezu způsobit neočekávaný zpětný ráz a vážné zranění.
- Nikdy neřežte s vozíkem s držadlem zablokovaným ve spuštěné poloze.
- **Nikdy nepovolujte pojistný šroub zajišťující vozík, jestliže je kotouč v pohybu.** Povolení vozík může při řezání způsobit neočekávaný zpětný ráz s následným vážným zraněním.

### 3. Pokosové řezání

Viz odstavec „Nastavení úhlu pokosu“ výše.

### 4. Šikmý řez

Fig.37

Povolte páčku a sklopením pilového kotouče nastavte úhel úkosu (viz odstavec „Nastavení úhlu úkosu“ výše). Po nastavení požadovaného úhlu úkosu jej nezapomeňte zajistit pevným dotažením páčky. Uchyťte díl svérákem. Dbejte, aby byl vozík přesunut úplně zpět k pracovníkovi. Zapněte nástroj bez toho, aby byl list ve styku s materiálem a počkejte, dokud list nedosáhne plné rychlosti. Poté pomalu spusťte držadlo do polohy úplně dole a současně vyvíjejte tlak rovnoběžně s kotoučem a TLACENÍM VOZÍKU SMĚREM K VODICÍMU PRAVÍTKU PROVEĎTE ŘEZ. Po dokončení řezu nástroj vypněte a před přesunutím kotouče do polohy úplně nahoře POČKEJTE, DOKUD SE PILOVÝ KOTOUČ ÚPLNĚ NEZASTAVÍ.

### VAROVÁNÍ:

- **Po nastavení kotouče pro úkosové řezy se před prací s nářadím ujistěte, zda mají vozík i kotouč volnou cestu v celé délce dráhy zamýšleného řezu.** Přerušování posunu vozíku nebo kotouče může během řezu způsobit zpětný ráz a vážné zranění.
- **Při provádění úkosových řezů nepřibližujte ruce ke dráze kotouče.** Kotouč pohybující se v úhlu může obsluhu ohledně skutečné dráhy kotouče při řezu zmást a kontakt s kotoučem může způsobit vážné zranění.
- **Kotouč nezvedejte, dokud se zcela nezastaví.** Při úkosovém řezu se může odříznutý kus opřít o kotouč. Zvednutím rotujícího kotouče se může odříznutý kus kotoučem vymrštit, materiál se může rozříznout a způsobit vážné zranění.

### POZNÁMKA:

- Při stlačování držadla dolů vyvíjejte tlak rovnoběžně s kotoučem. Budete-li tlačít kolmo k otočnému stolu nebo jestliže během řezu směr tlaku změníte, zhoršíte přesnost řezu.
- Před úkosovým řezáním může být vyžadováno nastavení horního a dolního pravítka. Viz část s názvem „Seřízení vodícího pravítka“.

### POZOR:

- Posuvné vodítko R vždy sejměte, aby při provádění pravých úkosových řezů nezasahovalo do žádné části vozíku.

### 5. Složené řezání

Kombinované řezání je proces, při němž se na obrobku provádí řez s úkosovým úhlem a současně s pokosovým úhlem. Kombinované řezy lze provádět v úhlu uvedeném v tabulce.

Úhel pokosu	Úhel úkosu
Vlevo a vpravo 0°- 45°	Vlevo a vpravo 0°- 45°

009713

Při složeném řezání použijte informace uvedené v odstavcích „Tlakové řezání“, „Posuvné řezání“, „Pokosové řezání“ a „Šikmý řez“.

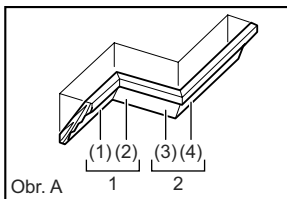
### 6. Řezání vypouklých a vydutých lišt

Vypouklé a vyduté lišty lze radiální pokosovou pilou řezat s lištami položenými naplocho na otočném stole.

Existují dva obvyklé typy vypouklých a jeden typ vydutých lišt: 52/38° rohová vypouklá lišta, 45° rohová vypouklá lišta a 45° rohová vydutá lišta. Viz obrázky.

Fig.38

Existují spoje vypouklých a vydutých lišt ve „vnitřních“ 90° koutech ((1) a (2) na obr. A) a na „vnějších“ 90° rozích ((3) a (4) na obr. A).



001556

Fig.39

### Měření

Změřte délku stěny a ustavte řezaný díl na stole tak, abyste mohli přiřznout na požadovanou délku hranu, jež bude v kontaktu se stěnou. Vždy se ujistěte, zda je délka řezané lišty **na zadní straně** stejná jako délka stěny. Nastavte délku řezu pro řezný úhel. Vždy proveďte několik zkušebních řezů, abyste se o řezných úhlech ujistili.

Při řezání vypouklých a vydutých lišt nastavte úhel úkosu a úhel pokosu tak, jak je naznačeno v tabulce (A) a lišty ustavte na horní ploše stolu pily tak, jak je uvedeno v tabulce (B).

## V případě levého úkosového řezu

Tabulka (A)

	Poloha lišty na obr. A	Úhel úkosu		Úhel pokosu	
		52/38° typ	45° typ	52/38° typ	45° typ
Pro vnější roh	(1)	Vlevo 33,9°	Vlevo 30°	Vpravo 31,6°	Vpravo 35,3°
	(2)			Vlevo 31,6°	Vlevo 35,3°
Pro vnitřní kout	(3)				
	(4)			Vpravo 31,6°	Vpravo 35,3°

006361

Tabulka (B)

	Poloha lišty na obr. A	Orientace hrany lišty vůči vodicímu pravitku	Hotový dílec
Pro vnější roh	(1)	Hrana kontaktu se stropem bude naproti vodicímu pravitku.	Hotový dílec bude na levé straně kotouče.
	(2)	Hrana kontaktu se stěnou bude naproti vodicímu pravitku.	
Pro vnitřní kout	(3)	Hrana kontaktu se stropem bude naproti vodicímu pravitku.	Hotový dílec bude na pravé straně kotouče.
	(4)	Hrana kontaktu se stěnou bude naproti vodicímu pravitku.	

006362

### Příklad:

Při řezání vypouklé lišty typu 52/38° pro polohu (1) na obr. A:

- Proveďte náklon a zajistěte nastavení úhlu úkosu na 33,9° VLEVO.
- Nastavte a zajistěte úhel pokosu a na 31,6° VPRAVO.
- Vypouklou lištu položte širokou zadní plochou (jež bude skrytá) směrem dolů na otočný stůl s HRANOU KONTAKTU SE STROPEM naproti vodicímu pravitku pily.
- Hotový kus určený k použití bude po provedení řezu vždy po LEVÉ straně kotouče.

## V případě pravého úkosového řezu

Tabulka (A)

	Poloha lišty na obr. A	Úhel úkosu		Úhel pokosu	
		52/38° typ	45° typ	52/38° typ	45° typ
Pro vnější roh	(1)	Vpravo 33,9°	Vpravo 30°	Vpravo 31,6°	Vpravo 35,3°
	(2)			Vlevo 31,6°	Vlevo 35,3°
Pro vnitřní kout	(3)				
	(4)			Vpravo 31,6°	Vpravo 35,3°

006363

Tabulka (B)

	Poloha lišty na obr. A	Orientace hrany lišty vůči vodicímu pravitku	Hotový dílec
Pro vnější roh	(1)	Hrana kontaktu se stěnou bude naproti vodicímu pravitku.	Hotový dílec bude na pravé straně kotouče.
	(2)	Hrana kontaktu se stropem bude naproti vodicímu pravitku.	
Pro vnitřní kout	(3)	Hrana kontaktu se stropem bude naproti vodicímu pravitku.	Hotový dílec bude na levé straně kotouče.
	(4)	Hrana kontaktu se stěnou bude naproti vodicímu pravitku.	

006364

### Příklad:

Při řezání vypouklé lišty typu 52/38° pro polohu (1) na obr. A:

- Proveďte náklon a zajistěte nastavení úhlu úkosu na 33,9° VPRAVO.
- Nastavte a zajistěte úhel pokosu a na 31,6° VPRAVO.
- Vypouklou lištu položte širokou zadní plochou (jež bude skrytá) směrem dolů na otočný stůl s HRANOU KONTAKTU SE STĚNOU naproti vodicímu pravitku pily.
- Hotový kus určený k použití bude po provedení řezu vždy po PRAVÉ straně kotouče.

## 7. Řezání hliníkových výlisků

### Fig.40

### Fig.41

Při uchycování hliníkových výlisků používejte jako prevenci deformace hliníku distanční bloky nebo kusy odpadního materiálu, jak je ilustrováno na obrázku. Při řezání hliníkových výlisků používejte řeznou kapalinu, aby se zabránilo nahromadění hliníku na kotouči.

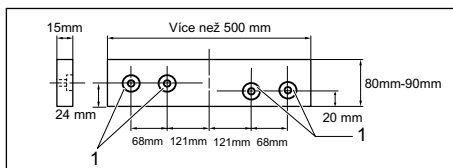
### VAROVÁNÍ:

- **Nikdy se nesnažte řezat silné či kulaté hliníkové výlisky.** Silné či kulaté hliníkové výlisky může být obtížné zajistit, při řezání se mohou uvolnit a může dojít ke ztrátě kontroly a vážnému zranění.

## 8. Dřevěná deska

Dřevěná deska vám pomůže zajistit řezy v dílech bez rozštěpení. Dřevěnou desku upevněte k vodicímu pravitku prostřednictvím otvorů v pravitku.

Doporučené rozměry dřevěné desky najdete na obrázku.



### 1. Otvory

010563

### POZOR:

- Použijte rovnou dřevěnou desku rovnoměrné tloušťky.

### VAROVÁNÍ:

- **Dřevěnou desku upevněte k vodicímu pravitku šrouby. Šrouby je třeba upevnit tak, aby byly jejich hlavy pod povrchem dřevěné desky a**

### **nepřekážely při polohování řezaného materiálu.**

Špatné ustavení řezaného materiálu může při řezání způsobit neočekávaný pohyb, ztrátu kontroly a vážné zranění.

#### **POZNÁMKA:**

- Je-li nainstalována dřevěná deska, neotáčejte otočný stůl při spuštěném držadle. V opačném případě dojde k poškození kotouče a/nebo dřevěné desky.

## **9. Řezání drážek**

**Fig.42**

Řez drážkového typu lze provést následujícím způsobem:

Pomocí stavěcího šroubu a ramena zarážky upravte dolní koncovou polohu kotouče tak, aby byla omezena řezná hloubka kotouče. Další informace naleznete v odstavci „Rameno zarážky“ výše.

Po seřízení dolní koncové polohy kotouče vyřežte rovnoběžné drážky po celé šířce dílu řezáním s vozíkem (tlačení), jak je znázorněno na obrázku. Materiál mezi drážkami pak odstraňte dlátem.

#### **⚠VAROVÁNÍ:**

- **Tento typ řezání se nepokoušejte provádět s širšími typy kotoučů nebo s drážkovacími kotouči.** Snaha o vyřezání drážky širším nebo drážkovacím kotoučem může způsobit nepředvídané výsledky a zpětný ráz, jenž může zapříčinit vážné zranění.
- **Při provádění jiných řezů než řezání drážek zajistěte vrácení ramene zarážky do původní polohy.** Řezání s ramenem zarážky v nesprávné poloze může způsobit nepředvídané výsledky a zpětný ráz, jenž může být příčinou vážného zranění.

#### **⚠POZOR:**

- Při provádění jiného řezání, než je řezání drážek, nezapomeňte vrátit rameno zarážky do původní polohy.

## **Přenášení nástroje**

**Fig.43**

Ujistěte se, zda je nářadí odpojeno od zdroje napájení. Zajistěte kotouč v úhlu úkosu 0° a otočný stůl přesuňte do polohy zcela k pravému úhlu pokosu. Zajistěte kluzné tyče tak, aby byla dolní kluzná tyč zajištěna v poloze vozíku zcela přitaženého k obsluze a horní tyče zajištěny v poloze vozíku zcela zatlačeného vpřed k vodicímu pravitku (viz část s názvem „Nastavení blokování posouvání“). Spusťte držadlo zcela dolů a v této poloze jej zajistěte stlačením zarážkového čepu. Napájecí kabel naviňte na příslušné úchyty.

#### **⚠VAROVÁNÍ:**

- **Zarážkový čep slouží pouze pro účely přenášení či skladování a nikdy nesmí být**

### **použit pro žádné operace související s řezáním.**

Použití zarážkového čepu při řezání může vyvolat neočekávaný pohyb pilového kotouče s následným zpětným rázem a vážným zraněním.

Nástroj přenášejte uchopením za obě strany základny nástroje, jak je ilustrováno na obrázku. Nástroj lze přenášet snadněji, pokud demontujete držáky, vak na prach, atd.

#### **⚠POZOR:**

- Před přenášením nářadí vždy zajistěte všechny pohyblivé díly. Jestliže se díly nářadí během přenášení posunou či sklouznou, můžete ztratit kontrolu či rovnováhu a přivodit si zranění.

## **ÚDRŽBA**

#### **⚠VAROVÁNÍ:**

- **Před kontrolou či prováděním údržby se vždy ujistěte, zda je nářadí vypnuté a odpojené ze zásuvky.** Zanedbání vypnutí a odpojení nářadí může vést k jeho náhodnému spuštění a vážnému zranění.
- **V rámci zajištění co nejlepšího a nejbezpečnějšího provozu vždy zajistěte, aby byl kotouč ostrý a čistý.** Řezání s tupým nebo znečištěným kotoučem může vyvolat zpětný ráz s následným vážným zraněním.

#### **POZNÁMKA:**

- Nikdy nepoužívejte benzín, benzen, ředidlo, alkohol či podobné prostředky. Mohlo by tak dojít ke změnám barvy, deformacím či vzniku prasklin.

## **Nastavení úhlu řezání**

Nástroj byl pečlivě seřízen a nastaven u výrobce. Hrubé zacházení však může seřízení narušit. Není-li nástroj řádně seřízen, proveďte následující kroky:

### **1. Úhel pokosu**

**Fig.44**

Zatlačte vozík směrem k vodicímu pravitku a utážením pojistného šroubu jej zajistěte.

Povolte rukojeť zajišťující otočný stůl. Otočný stůl přesuňte tak, aby byl ukazatel na stupnici pokosu v poloze 0°. Potom otočný stůl natočte mírně doprava a doleva, aby se usadil v zářezu pokosu 0°. (Není-li ukazatel nasměrován na 0°, nechte jej tak.) Nástrčným klíčem povolte šrouby s vnitřním šestihranem zajišťující vodicí pravitko.

**Fig.45**

Spusťte držadlo zcela dolů a v této poloze jej zajistěte stlačením zarážkového čepu. Srovnejte bok kotouče s plochou vodicího pravitka pomocí trojúhelníkového pravitka, příložného úhelníku, apod. Potom na vodicím pravitku postupně pevně dotáhněte šrouby s vnitřním šestihranem počínaje pravou stranou.

**Fig.46**

Přesvědčte se, zda ukazatel směřuje na 0° na stupnici pokosu. Pokud ukazatel nesměřuje na 0°, povolte šroub uchycující ukazatel a upravte ukazatel tak, aby byl zaměřen na 0°.

**2. Úhel úkosu**

(1) Úhel úkosu 0°

**Fig.47**

Zatlačte vozík směrem k vodicímu pravítku a utažením pojistného šroubu jej zajistěte. Spusťte držadlo zcela dolů a v této poloze jej zajistěte stlačením zarážkového čepu. Uvolněte páčku na zadní straně nářadí.

**Fig.48**

Otočte šroub s šestihlannou hlavou na pravé straně ramena o dvě nebo tři otáčky proti směru hodinových ručiček, aby se kotouč sklopil doprava.

**Fig.49**

Otáčením šroubu s šestihlannou hlavou na pravé straně ramena doprava opatrně srovnajte bok kotouče s horní plochou otočného stolu, použijte k tomu trojúhelníkové pravítko, příložený úhelník apod. Potom páčku pevně utáhněte.

**Fig.50**

Přesvědčte se, zda ukazatel na ramenu směřuje k 0° na stupnici úkosu na držáku ramena. Jestliže ukazatel do pozice 0° nemíří, povolte šroub zajišťující ukazatel a proveďte úpravu, aby mířil na 0°.

(2) Úhel úkosu 45°

**Fig.51**

Úhel úkosu 45° nastavte až po provedení seřízení úhlu úkosu 0°. Chcete-li seřídít levý úhel úkosu 45°, povolte páčku a sklopte kotouč úplně doleva. Přesvědčte se, zda ukazatel na ramenu směřuje ke 45° na stupnici úkosu na držáku ramena. Jestliže ukazatel nemíří na 45°, otáčejte stavěcím šroubem úhlu úkosu 45° na pravé straně držáku ramena, až bude ukazatel nasměrován na 45°.

Seřizování pravého úhlu úkosu 45° proveďte stejným postupem popsaným výše.

**Fig.52**

Pravidelně vyndávejte a kontrolujte uhlíky. Vyměňte je, když se opotřebují na délku 3 mm. Udržujte uhlíky čisté a zajistěte, aby se mohly v držácích volně pohybovat. Oba uhlíky by se měly vyměňovat najednou. Používejte pouze identické uhlíky.

**Fig.53**

Pomocí šroubováku odšroubujte víčka uhlíků. Vyměňte opotřebované uhlíky, vložte nové a zašroubujte víčka nazpět.

**Činnosti po ukončení práce**

- Po použití otřete hadrem nebo podobným materiálem třísky a piliny nahromaděné na nástroji. Udržujte kryt kotouče v čistotě podle pokynů uvedených v odstavci „Kryt kotouče“ výše. Promažte kluzné díly strojním olejem, aby nekorodovaly.
- Při skladování nářadí přitáhněte vozík zcela směrem k sobě.

Kvůli zachování BEZPEČNOSTI a SPOLEHLIVOSTI výrobku musí být opravy a veškerá další údržba či seřizování prováděny autorizovanými servisními středisky firmy Makita a s použitím náhradních dílů Makita.

**VOLITELNÉ PŘÍSLUŠENSTVÍ****⚠VAROVÁNÍ:**

- **Pro zařízení Makita popsané v tomto návodu doporučujeme používat následující příslušenství či nástavce.** Použití jakéhokoli jiného příslušenství či nástavců může způsobit vážné zranění.
- **Příslušenství či nástavce Makita používejte pouze ke stanoveným účelům.** Nesprávné použití příslušenství či nástavce může přivodit vážné zranění.

Potřebujete-li bližší informace ohledně tohoto příslušenství, obraťte se na vaše místní servisní středisko firmy Makita.

- Pilové kotouče s ocelovým a karbidovým ostřím

Pokosové pilové kotouče	Pro plynulé a přesné řezání různých materiálů.
Kombinace	Univerzální kotouč pro rychlé a hladké rozmitání, příčné řezy a pokosové řezy.
Přeřezávání	Pro hladší řezy napříč vláknem. Řeže čisté proti vláknu.
Jemné příčné řezy	Pro hladké a čisté řezy proti vláknu.
Pokosové pilové kotouče na neželezné kovy	Pro lišty z hliníku, mědi, mosazi, hadice a jiné neželezné materiály.

006526

- Pomocné vodítko R
- Sestava svěráku (vodorovný svěrák)
- Svislý svěrák
- Nástrčný klíč s imbusovým klíčem na druhém konci
- Držák
- Vak na prach
- Koleno
- Trojúhelníkové pravítko

**POZNÁMKA:**

- Některé položky seznamu mohou být k zařízení přibaleny jako standardní příslušenství. Přibalené příslušenství se může v různých zemích lišit.









**Makita Corporation**  
Anjo, Aichi, Japan

JM2328C028

[www.makita.com](http://www.makita.com)